



T121 series TCXO

50 to 100 MHz

Rev. -

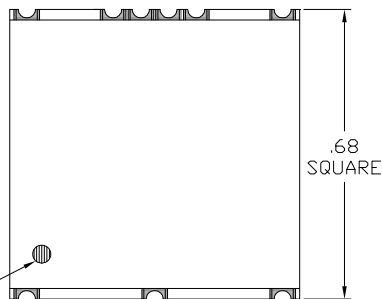
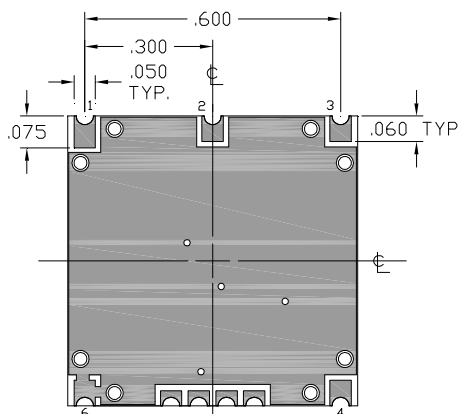
GREENRAY INDUSTRIES, INC.

PRECISION QUARTZ TECHNOLOGY

SPECIFICATIONS

Low G-Sensitivity/Rugged TCXO
High Frequency/Tight Temp Stability

Frequency	50.0 to 100.0 MHz		
Output	Sinewave		
Output Level	+3dBm min into a 50 ohm load		
Harmonic & Subs	-40dBc max		
Temp Stability	Temp Range	Tolerance	Option
	-40°C to +85°C	±0.5 ppM	T57
	-40°C to +85°C	±1.0 ppM	T16
	-55°C to +95°C	±3.0 ppM	V36
Voltage Stability	±0.1ppM for a ±5% change		
Load Stability	±0.1ppM for a ±5% change		
Aging	<1 ppM/yr		
Total Stability	±5ppM max from nominal over 10 years (includes temp, voltage, load, & aging)		
Phase Noise	Offset	static dBc/Hz	
(typ at 100MHz)	10Hz	-75	
	100Hz	-102	
	1kHz	-125	
	10kHz	-140	
	100kHz	-145	
G-Sensitivity	≤ 7x10 ⁻¹⁰ /g		
Freq Adjust	none		
Supply Voltage	+5.0 VDC		
Supply Current	< 25mA		
Environmentals			
Vibration – per MIL-STD-202F, Meth 214,	Cond II H, 3 min/axis		
Shock – per MIL-STD-202F, Meth 213,	90g's pk, ½ sine, 5ms		
Storage Temp -55 to +105°C			



Ordering Example:

T121-T57-100.0MHz
(Model-Stability-Freq)

Pad Connections

- 1 - Output
- 2 - N/C
- 3 - Vsupply
- 4 - N/C
- 6 - 0 V & Case Gnd

NOTES:
1. UNMARKED
AND FOR :
ONLY

840 W. Church Rd., Mechanicsburg, PA 17055

Tel: 717-766-0223 Fax: 717-790-9509

www.greenrayindustries.com email: sales@greenrayindustries.com