

■ Features

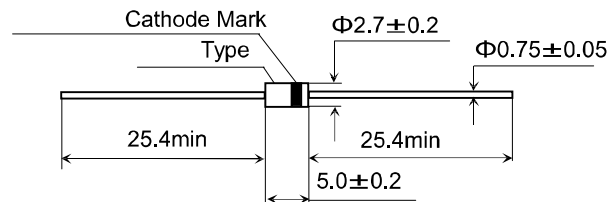
- $I_F (AV)$ 1.0A
- V_{RRM} 1000V
- High reliability
- Halogen Free

■ Outline Dimensions and Mark

Unit: mm

■ Applications

- General purpose rectifier applications

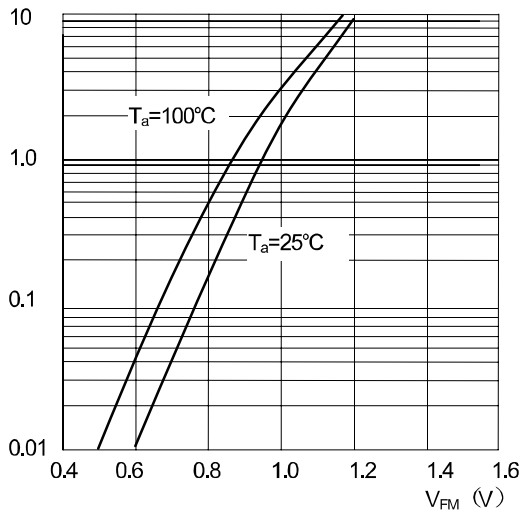

■ Limiting Values (Absolute Maximum Rating)

Item	Symbol	Unit	T1N4007GF
Repetitive Peak Reverse Voltage	V_{RRM}	V	1000
Peak Working Reverse Voltage	V_{RWM}	V	1000
Non-Repetitive Peak Reverse Voltage	V_{RSM}	V	1100
Average Forward Current	$I_{F(AV)}$	A	(50Hz Half-sine wave, Resistance load, $T_{break}=75^{\circ}C$)
Surge(Non-repetitive)Forward Current	I_{FSM}	A	(60Hz Half-sine wave, 1 cycle, $T_a=25^{\circ}C$)
Junction and Storage Temperature	T_j, T_{stg}	$^{\circ}C$	-40 ~ +150
Operating Ambient Temperature	T_a	$^{\circ}C$	-40 ~ +150

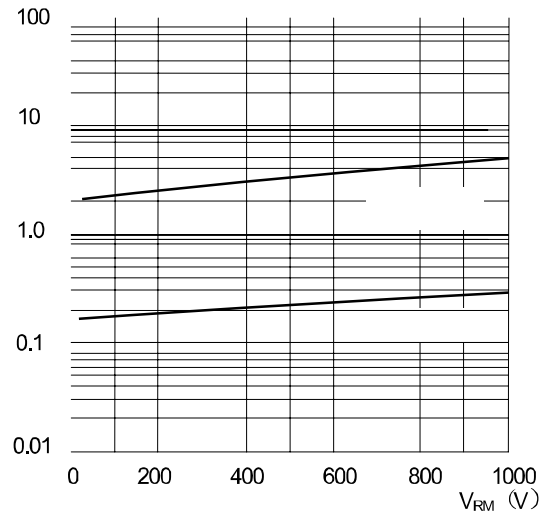
■ Electrical Characteristics ($T_a=25^{\circ}C$ Unless otherwise specified)

Item	Symbol	Unit	Test Condition	Max	
Peak Forward Voltage	V_{FM}	V	$I_{FM}=1.0A$	1.1	
Peak Reverse Current	I_{RRM1}	μA	$V_{RM}=V_{RRM}$	$T_a=25^{\circ}C$	5
	I_{RRM2}			$T_a=100^{\circ}C$	50
Thermal Resistance (Typical)	$R_{\theta J-A}$	$^{\circ}C/W$	Between junction and ambient	55	
	$R_{\theta J-L}$		Between junction and lead	25	

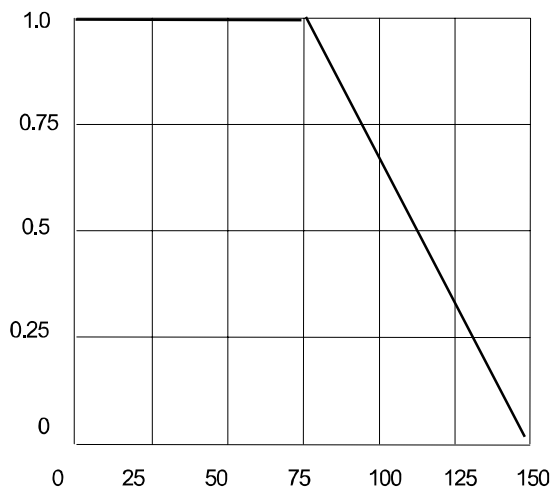
■ Characteristics(Typical)



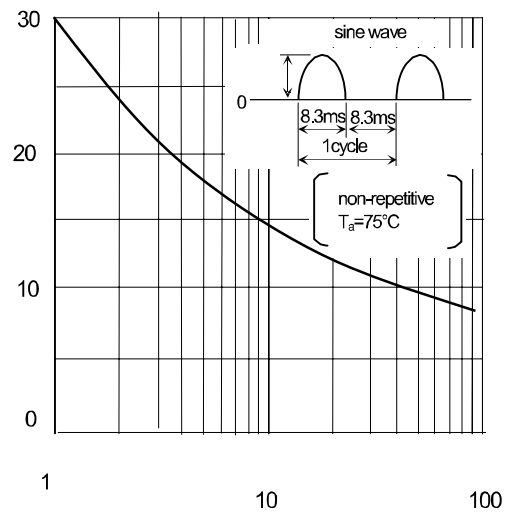
Forward Characteristics



Reverse Characteristics



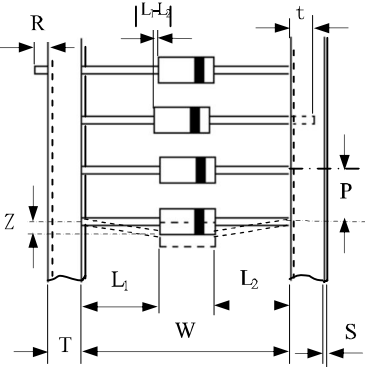
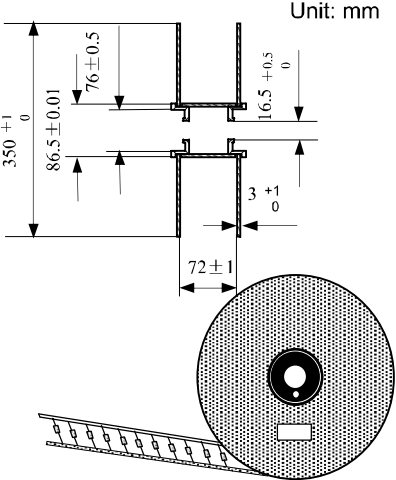
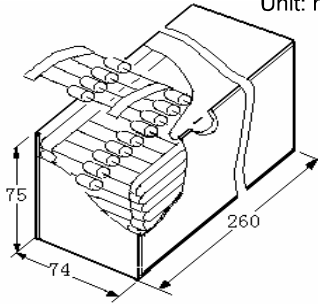
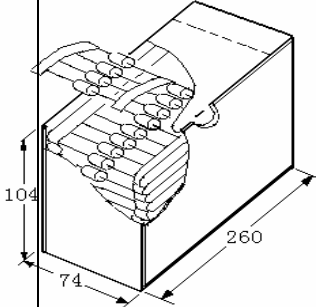
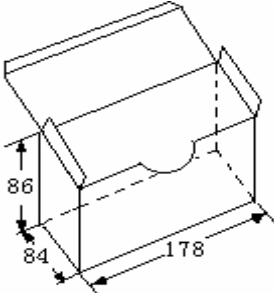
$I_{F(AV)} - T_a$ Derating



Surge Forward Current Capability

Number of Cycles

Packing Illustration

Type	Mode	Quantity			Method																
		Fig.① Fig.②	Fig.③	Fig.④																	
Tapping		4000 kpcs/ reel	—	—	 <p>Unit: mm</p>																
	<table border="1" data-bbox="269 1079 612 1524"> <thead> <tr> <th>Symbol</th> <th>(mm) Dimension</th> </tr> </thead> <tbody> <tr> <td>W</td> <td>52±1</td> </tr> <tr> <td>T</td> <td>6±1</td> </tr> <tr> <td>R</td> <td>≤0.8</td> </tr> <tr> <td>P</td> <td>5/10±0.5</td> </tr> <tr> <td> L₁-L₂ </td> <td>≤1</td> </tr> <tr> <td>Z</td> <td>≤1.2</td> </tr> <tr> <td>t</td> <td>≥3.2</td> </tr> </tbody> </table>	Symbol	(mm) Dimension	W	52±1	T	6±1	R	≤0.8	P	5/10±0.5	L ₁ -L ₂	≤1	Z	≤1.2	t	≥3.2	2000 kpcs/ box	1000 kpcs/ box	—	 <p>Unit: mm</p>
	Symbol	(mm) Dimension																			
W	52±1																				
T	6±1																				
R	≤0.8																				
P	5/10±0.5																				
L ₁ -L ₂	≤1																				
Z	≤1.2																				
t	≥3.2																				
		2000 kpcs/ box	—	—	 <p>Unit: mm</p>																
Bulk		2000 kpcs/ box	2000 kpcs/ box	7500 kpcs/ box	 <p>Unit: mm</p>																