



Product Description: T216XW01 TFT-LCD PANEL with RoHS guarantee

AUO Model Name: T216XW01 V1

Customer Part No/Project Name:

| Customer Signature | Date | AUO                                      | 2008/11/21 |
|--------------------|------|--|------------|
|                    |      | Approved By: PM Director / Frank Hsu     |            |
|                    |      | Reviewed By: RD Director / Hong Hong Jye |            |
|                    |      | Reviewed By: Project Leader / Sarah Ke   |            |
|                    |      | Prepared By: PM / Marcus Lai             |            |



## Product Specifications

**21.6" WXGA Color TFT-LCD Module**  
**Model Name: T216XW01 V1**

**(\*) Preliminary Specifications**  
**() Final Specifications**



## Contents

| No  | ITEM                                     |
|-----|--|
|     | COVER                                    |
|     | CONTENTS                                 |
|     | RECORD OF REVISIONS                      |
| 1   | GENERAL DESCRIPTION                      |
| 2   | ABSOLUTE MAXIMUM RATINGS                 |
| 3   | ELECTRICAL SPECIFICATIONS                |
| 3-1 | ELECTRICAL CHARACTERISTICS               |
| 3-2 | INTERFACE CONNECTIONS                    |
| 3-3 | SIGNAL TIMING SPECIFICATIONS             |
| 3-4 | SIGNAL TIMING WAVEFORMS                  |
| 3-5 | COLOR INPUT DATA REFERENCE               |
| 3-6 | POWER SEQUENCE for LCD                   |
| 4   | OPTICAL SPECIFICATIONS                   |
| 5   | MECHANICAL CHARACTERISTICS               |
| 5-1 | FRONT VIEW                               |
| 5-2 | REAR VIEW                                |
| 6   | RELIABILITY                              |
| 7   | INTERNATIONAL STANDARDS                  |
| 7-1 | SAFETY                                   |
| 7-2 | EMC                                      |
| 7-3 | Green                                    |
| 8   | PACKING                                  |
| 8-1 | PACKING INSTRUCTION                      |
| 8-2 | PALLET INFORMATION                       |
| 8-3 | SHIPPING LABEL                           |
| 8-4 | CARTON LABEL                             |
| 9   | PRECAUTIONS                              |
| 9-1 | MOUNTING PRECAUTIONS                     |
| 9-2 | OPERATING PRECAUTIONS                    |
| 9-3 | ELECTROSTATIC DISCHARGE CONTROL          |
| 9-4 | PRECAUTIONS FOR STRONG LIGHT EXPOSURE    |
| 9-5 | STORAGE                                  |
| 9-6 | HANDLING PRECAUTIONS FOR PROTECTION FILM |



### Record Revision

| Version | Date       | No | Old Description | New Description | Remark |
|---------|------------|----|-----------------|-----------------|--------|
| 0.0     | 2008/11/21 |    |                 | First Draft     |        |
|         |            |    |                 |                 |        |
|         |            |    |                 |                 |        |
|         |            |    |                 |                 |        |
|         |            |    |                 |                 |        |
|         |            |    |                 |                 |        |

www.panelook.com



## 1. General Description

This specification applies to the 21.6 inch Color TFT-LCD Module T216XW01. This LCD module has a TFT active matrix type liquid crystal panel with 1,366x768 pixels, and the diagonal size is 21.6 inches. This module supports 1,366x768 XGA-WIDE mode (Non-interlace).

Each pixel is divided into Red, Green and Blue sub-pixels or dots which are arranged in vertical stripes. Gray scale or the brightness of the sub-pixel color is determined with an 8-bit gray scale signal for each dot.

The T216XW01 has been designed to apply to 8-bit and 1 channel LVDS interface method. It is intended to support displays where high brightness, wide viewing angle, high color saturation, and high color depth are very important.

This module is not equipped with inverter board for backlight.

### \* General Information

| Item                    | Specification                | Unit                 | Note |
|-------------------------|------------------------------|----------------------|------|
| Active Screen Size      | 21.6                         | inch                 |      |
| Display Area            | 477.417 (H) x 268.416 (V)    | mm                   |      |
| Outline Dimension       | 501 (H) x 297 (V) x 17.3 (D) | mm                   |      |
| Resolution              | 1,366 x 768                  | pixel                |      |
| Pixel Pitch             | 0.3495                       | mm                   |      |
| Pixel Arrangement       | RGB vertical stripe          |                      |      |
| Display mode            | Normally Black               |                      |      |
| Display Colors          | 16.7M (8-bit for R,G,B)      | color                |      |
| Typical White Luminance | 300 @ 8 mA                   | [cd/m <sup>2</sup> ] |      |
| Surface Treatment       | AG, Haze=11%, 3H             |                      |      |
| Green                   | RoHS compliance              |                      |      |



## 2. Absolute Maximum Ratings

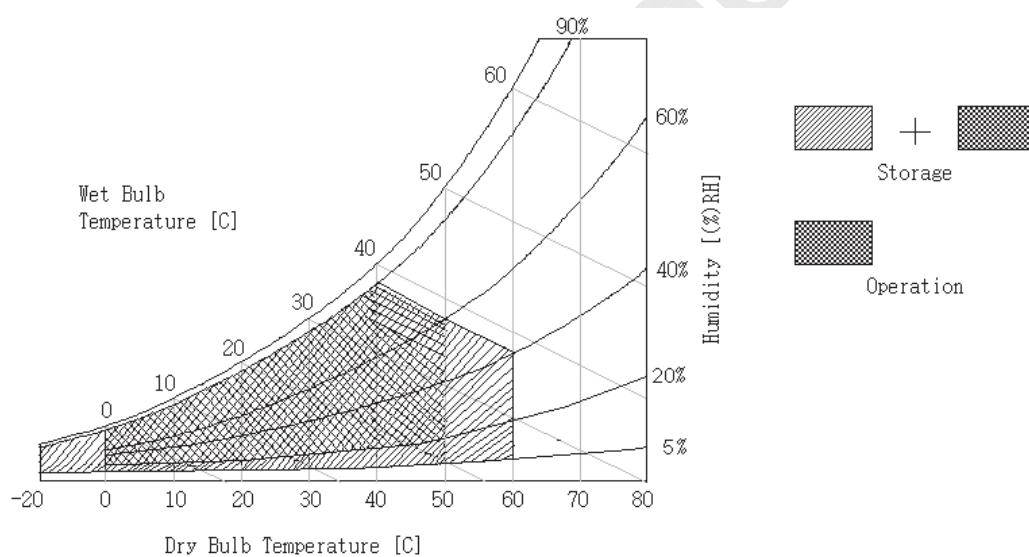
The following are maximum values which, if exceeded, may cause faulty operation or damage to the unit.

| Item                    | Symbol          | Min  | Max | Unit   | Note |
|-------------------------|-----------------|------|-----|--------|------|
| Logic/LCD Drive Voltage | V <sub>DD</sub> | -0.3 | 6   | [Volt] | 1    |
| Input Voltage of Signal | V <sub>IN</sub> | -0.3 | 3.6 | [Volt] | 1    |
| Operating Temperature   | T <sub>OP</sub> | 0    | +50 | [°C]   | 2    |
| Operating Humidity      | H <sub>OP</sub> | 10   | 90  | [%RH]  | 2    |
| Storage Temperature     | T <sub>ST</sub> | -20  | +60 | [°C]   | 2    |
| Storage Humidity        | H <sub>ST</sub> | 10   | 90  | [%RH]  | 2    |

Note

1, Duration = 50 msec

2, Maximum Wet-Bulb should be 39°C and No condensation.





### 3. Electrical Specification

The T216XW01 requires two power inputs. One is employed to power the LCD electronics and to drive the TFT array and liquid crystal. An inverter typically generates the second input, which powers the CCFL.

#### 3-1 Electrical Characteristics

| Parameter                   | Symbol            | Values |     |     | Unit  | Note |
|-----------------------------|-------------------|--------|-----|-----|-------|------|
|                             |                   | Min    | Typ | Max |       |      |
| LCD:                        |                   |        |     |     |       |      |
| Power Supply Input Voltage  | Vcc               | 4.5    | 5.0 | 5.5 | Vdc   |      |
| Power Supply Input Current  | Icc               | -      | 0.8 | 1.0 | A     | 1    |
| Power Consumption           | Pc                | -      | 4.0 | 5.0 | Watt  | 1    |
| Inrush Current              | I <sub>RUSH</sub> | -      | -   | 3   | A     | 1    |
| Backlight Power Consumption |                   | -      | 26  | 30  | Watt  | 2    |
| Total Power Consumption     |                   | -      | 30  | 35  | Watt  |      |
| Life Time                   |                   | 30,000 | -   | -   | Hours | 5,6  |

Note :

1. Vcc=5.0V, Fv=60Hz, Fclk= 85.0 MHz , 25°C . , Test Pattern : White Pattern
2. Vcc rising time = 470  $\mu$ s , Vcc=5.0V
3. The performance of the Lamp in LCM, for example: lifetime or brightness, is extremely influenced by the characteristics of the DC-AC Inverter. So all the parameters of an inverter should be carefully designed so as not to produce too much leakage current from high-voltage output of the inverter. When you design or order the inverter, please make sure unwanted lighting caused by the mismatch of the lamp and the inverter (no lighting, flicker, etc) never occurs. When you confirm it, the LCD Assembly should be operated in the same condition as installed in your instrument.
4. Do not attach a conducting tape to lamp connecting wire. If the lamp wire attach to conducting tape, TFT-LCD Module have a low luminance and the inverter has abnormal action because leakage current occurs between lamp wire and conducting tape.
5. The relative humidity must not exceed 80% non-condensing at temperatures of 40°C or less. At temperatures greater than 40°C, the wet bulb temperature must not exceed 39°C. When operate at low temperatures, the brightness of CCFL will drop and the lifetime of CCFL will be reduced.
6. The life is determined as the time at which luminance of the lamp is 50% compared to that of initial value at the typical lamp current on condition of continuous operating at 25  $\pm$  2°C. The lamp current should fix at 8 mA (typ.) and then keep the 30,000hr(typ.) lamp life



### 3-2 Interface Connections

— LCD connector (CN1): Starconn 093G30-B0001A-1

| Pin No | Symbol       | Description                         | Note                  |
|--------|--------------|-------------------------------------|-----------------------|
| 1      | Reserved     | Open                                | AUO internal test pin |
| 2      | Reserved     | Open                                | AUO internal test pin |
| 3      | Reserved     | Open                                | AUO internal test pin |
| 4      | GND          | Ground                              |                       |
| 5      | Rx0-         | LVDS Channel 0 [Polarity: Negative] |                       |
| 6      | Rx0+         | LVDS Channel 0 [Polarity: Positive] |                       |
| 7      | GND          | Ground                              |                       |
| 8      | Rx1-         | LVDS Channel 1 [Polarity: Negative] |                       |
| 9      | Rx1+         | LVDS Channel 1 [Polarity: Positive] |                       |
| 10     | GND          | Ground                              |                       |
| 11     | Rx2-         | LVDS Channel 2 [Polarity: Negative] |                       |
| 12     | Rx2+         | LVDS Channel 2 [Polarity: Positive] |                       |
| 13     | GND          | Ground                              |                       |
| 14     | RXCLK-       | LVDS Clock [Polarity: Negative]     |                       |
| 15     | RXCLK+       | LVDS Clock [Polarity: Positive]     |                       |
| 16     | GND          | Ground                              |                       |
| 17     | Rx3-         | LVDS Channel 3 [Polarity: Negative] |                       |
| 18     | Rx3+         | LVDS Channel 3 [Polarity: Positive] |                       |
| 19     | GND          | Ground                              |                       |
| 20     | Reserved     | Open                                | AUO internal test pin |
| 21     | LVDS Option* | Low for JEIDA, High/Open for NS     |                       |
| 22     | Reserved     | Open                                |                       |
| 23     | GND          | Ground                              |                       |
| 24     | GND          | Ground                              |                       |
| 25     | GND          | Ground                              |                       |
| 26     | Vdd (+5V)    | 5V, DC, Regulated                   |                       |
| 27     | Vdd (+5V)    | 5V, DC, Regulated                   |                       |
| 28     | Vdd (+5V)    | 5V, DC, Regulated                   |                       |
| 29     | Vdd (+5V)    | 5V, DC, Regulated                   |                       |
| 30     | Vdd (+5V)    | 5V, DC, Regulated                   |                       |

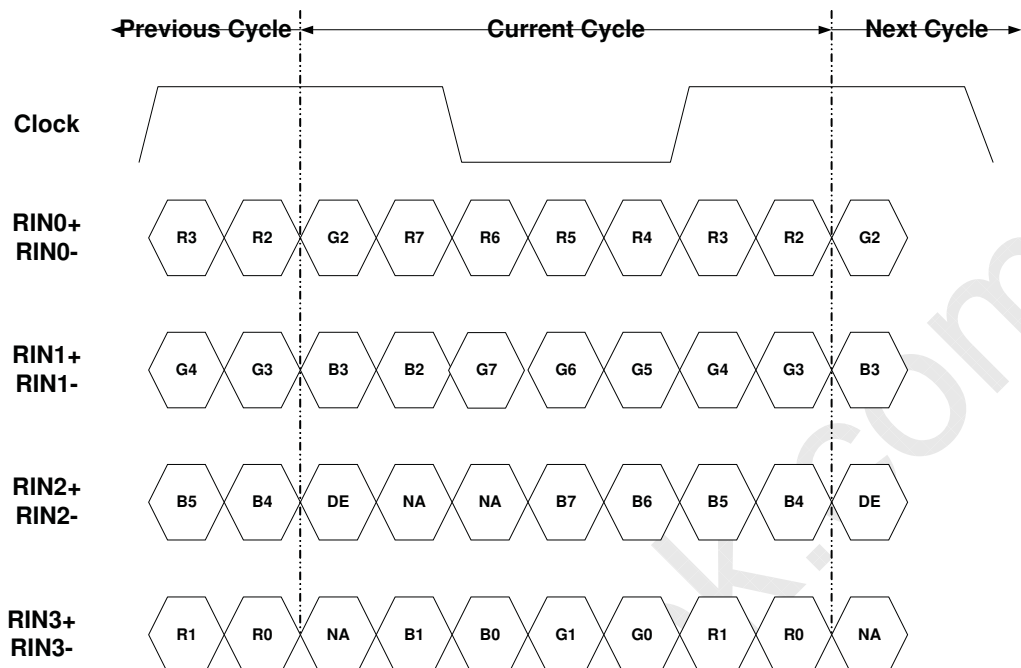
Note :

- 1, All GND (ground) pins should be connected together and should also be connected to the LCD's metal frame.
- 2, All Vcc (power input) pins should be connected together.

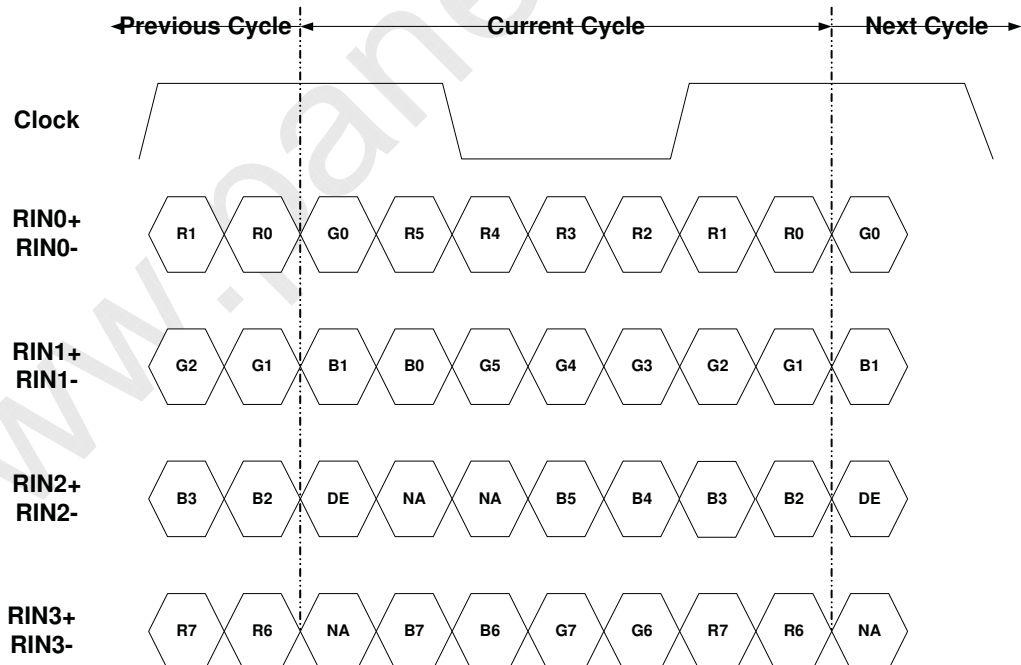




\* LVDS Option = L (GND) → JETDA Format



\* LVDS Option = H (3.3V) or N.C. → NS Format





### \* Backlight Connector Pin Configuration

– Electrical specification (Lamp spec)

| Parameter                       | Min   | Typ    | Max   | Units      | Condition  | Note |
|---------------------------------|-------|--------|-------|------------|------------|------|
| CCFL current(ICFL)              | 7     | 8      | 8.5   | [mA] rms   | (Ta=25°C)  |      |
| CCFL Frequency(FCFL)            | 35    | 46     | 80    | [KHz]      | (Ta=25°C)  |      |
| CCFL Ignition Voltage(Vs)       |       |        | 1,250 | [Volt] rms | (Ta= 25°C) | 1    |
| CCFL Ignition Voltage(Vs)       |       |        | 1,500 | [Volt] rms | (Ta= 0°C)  | 2    |
| CCFL Voltage (Reference) (VCFL) | 632.7 | 703    | 773.3 | [Volt] rms | (Ta=25°C)  | 3    |
| CCFL Power consumption (PCFL)   |       | 22.5 * | 24.75 | [Watt]     | (Ta=25°C)  | 4    |

Note :

1, Start-up Voltage means the lowest voltage (after output capacitor) at lighting on stable time under darkness environment (under 0.1 lux).

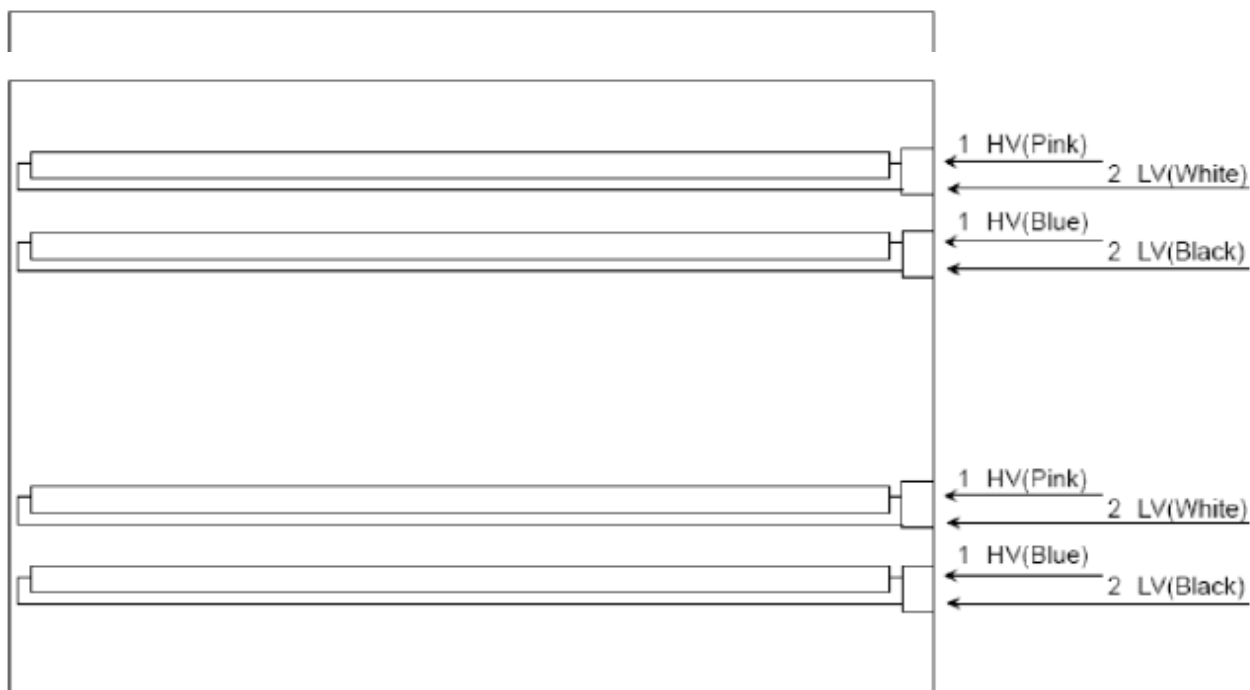
2, Start-up Voltage means the lowest voltage (after output capacitor) at lighting on stable time under lightness environment (over 500 lux).

3, CCFL Voltage is base on following current, 860Vrms @4.0mA; 840Vrms @6.5mA; 823Vrms @7.0mA.

4, PCFL = ICFL x VCFL x 4 = 8 x 703 x 4 = 22.5 W (typ)

PCFL = ICFL x VCFL x 4 = 8 x 773.3 x 4 = 24.75 W (max)

### \* Lamp connect configuration





### 3-3 Signal Timing Specifications

This is the signal timing required at the input of the User connector. All of the interface signal timings should be satisfied with the following specifications for the proper operation.

#### \* Timing Table

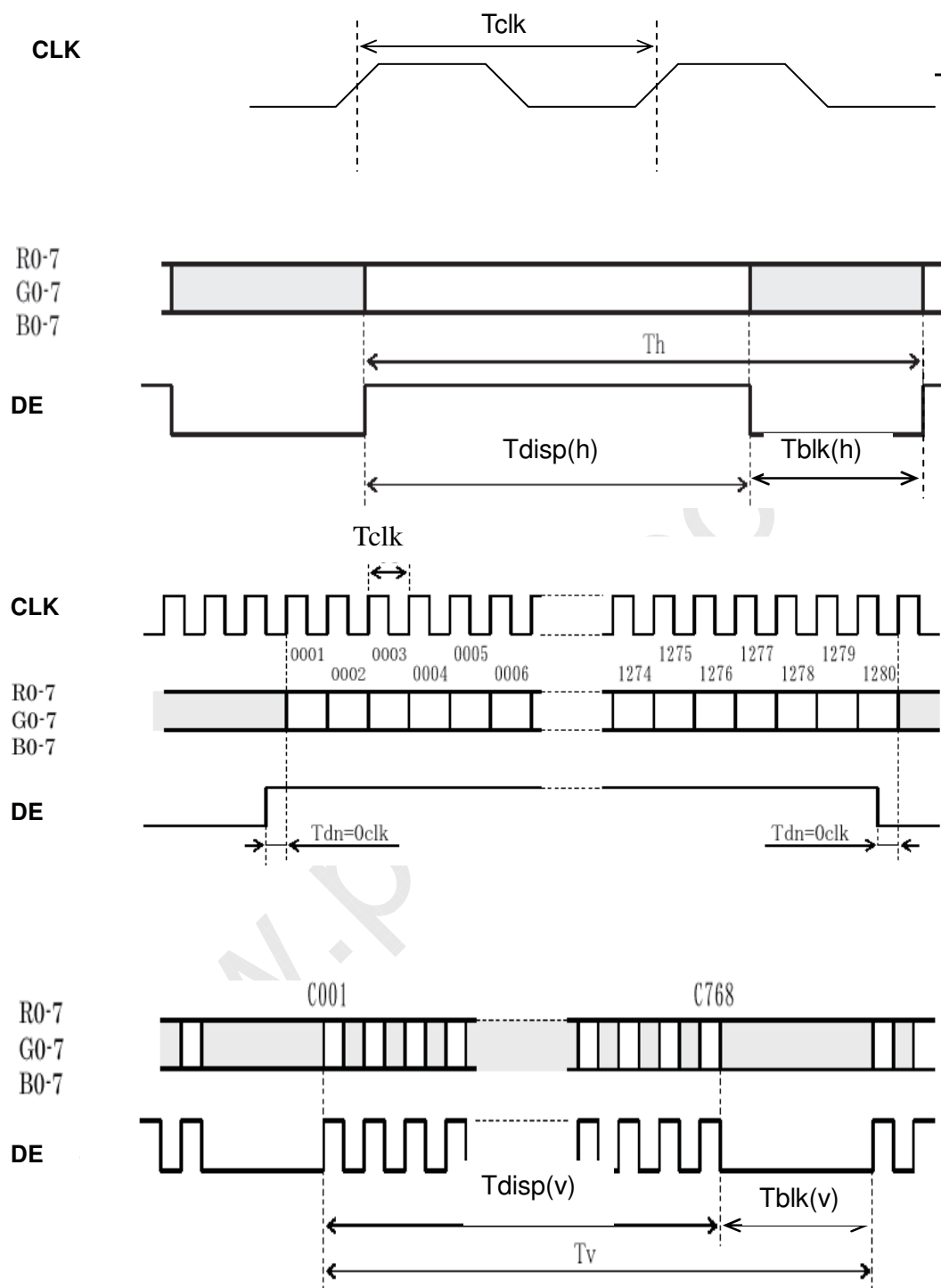
| Signal               | Item      | Symbol        | Min.  | Typ.  | Max.  | Unit |
|----------------------|-----------|---------------|-------|-------|-------|------|
| Vertical Section     | Period    | Tv            | 784   | 806   | 1,015 | Th   |
|                      | Active    | Tdisp(v)      | 768   |       |       | Th   |
|                      | Blanking  | Tblk (v)      | 16    | 38    | 247   | Th   |
| Horizontal Section   | Period    | Th            | 1,414 | 1,648 | 1,900 | Tclk |
|                      | Active    | Tdisp(h)      | 1,366 |       |       | Tclk |
|                      | Blanking  | Tblk (h)      | 48    | 282   | 334   | Tclk |
| LVDS Clock           | Frequency | Fclk (1/Tclk) | 60    | 80    | 85    | MHz  |
| Vertical Frequency   | Frequency | Fv            | 47    | 60    | 63    | Hz   |
| Horizontal Frequency | Frequency | Fh            | 43    | 48    | 53    | kHz  |

Note :

- 1, CLK signal input must be valid while power supply is applied.
- 2, Display position is specific by the rise of DE signal only. Horizontal display position is specified by the falling edge of 1<sup>st</sup> CLK right after the rise of DE, is displayed on the left edge of the screen. Vertical display position is specified by the rise of DE after a "Low" level period equivalent to eight times of horizontal period. The 1<sup>st</sup> data corresponding to one horizontal line after the rise of DE is displayed at the top line of screen.
- 3, If a period of DE "High" is less than 1,366 CLK or less than 768 lines, the rest of the screen displays black.
- 4, The display position does not fit to the screen if a period of DE "High" and the effective data period do not synchronize with each other.



### 3-4 Signal Timing Waveforms





### 3-5 Color Input Data Reference

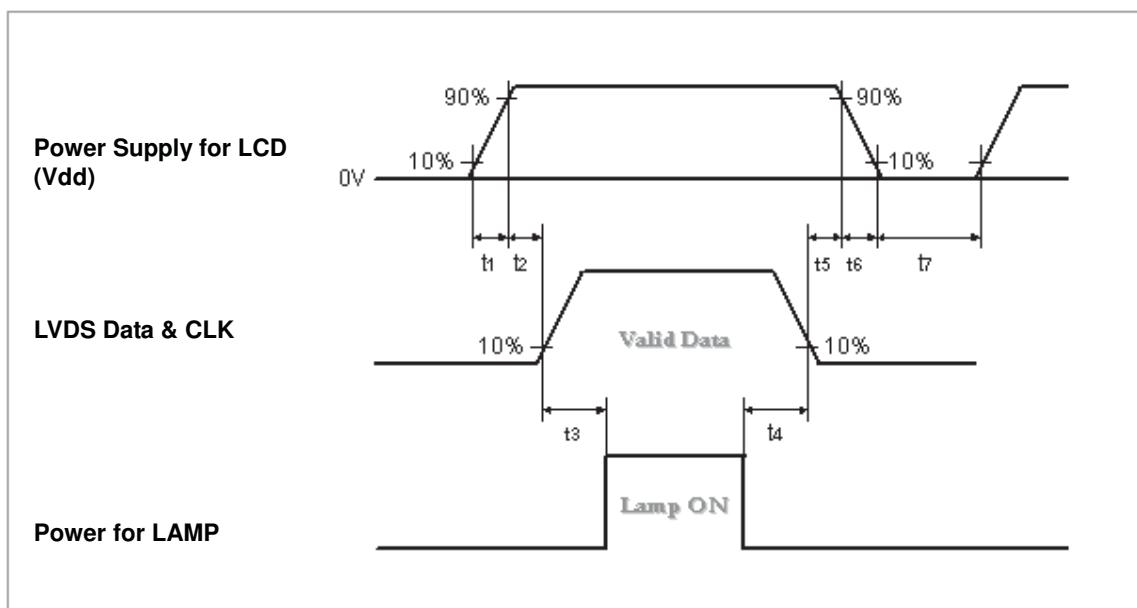
The brightness of each primary color (red, green and blue) is based on the 8 bit gray scale data input for the color. The higher the binary input, the brighter the color. The table below provides a reference for color versus data input.

#### \* COLOR DATA REFERENCE

| Color       |             | Input Color Data |    |     |    |    |    |     |    |       |    |       |    |    |    |     |    |      |    |      |    |     |    |    |    |
|-------------|-------------|------------------|----|-----|----|----|----|-----|----|-------|----|-------|----|----|----|-----|----|------|----|------|----|-----|----|----|----|
|             |             | RED              |    |     |    |    |    |     |    | GREEN |    |       |    |    |    |     |    | BLUE |    |      |    |     |    |    |    |
|             |             | MSB              |    | RED |    |    |    | LSB |    | MSB   |    | GREEN |    |    |    | LSB |    | MSB  |    | BLUE |    | LSB |    |    |    |
|             |             | R7               | R6 | R5  | R4 | R3 | R2 | R1  | R0 | G7    | G6 | G5    | G4 | G3 | G2 | G1  | G0 | B7   | B6 | B5   | B4 | B3  | B2 | B1 | B0 |
| Basic Color | Black(L0)   | 0                | 0  | 0   | 0  | 0  | 0  | 0   | 0  | 0     | 0  | 0     | 0  | 0  | 0  | 0   | 0  | 0    | 0  | 0    | 0  | 0   | 0  | 0  | 0  |
|             | Red(255)    | 1                | 1  | 1   | 1  | 1  | 1  | 1   | 1  | 0     | 0  | 0     | 0  | 0  | 0  | 0   | 0  | 0    | 0  | 0    | 0  | 0   | 0  | 0  | 0  |
|             | Green(255)  | 0                | 0  | 0   | 0  | 0  | 0  | 0   | 0  | 1     | 1  | 1     | 1  | 1  | 1  | 1   | 1  | 0    | 0  | 0    | 0  | 0   | 0  | 0  | 0  |
|             | Blue(255)   | 0                | 0  | 0   | 0  | 0  | 0  | 0   | 0  | 0     | 0  | 0     | 0  | 0  | 0  | 0   | 0  | 1    | 1  | 1    | 1  | 1   | 1  | 1  | 1  |
|             | Cyan        | 0                | 0  | 0   | 0  | 0  | 0  | 0   | 0  | 1     | 1  | 1     | 1  | 1  | 1  | 1   | 1  | 1    | 1  | 1    | 1  | 1   | 1  | 1  | 1  |
|             | Magenta     | 1                | 1  | 1   | 1  | 1  | 1  | 1   | 1  | 0     | 0  | 0     | 0  | 0  | 0  | 0   | 0  | 1    | 1  | 1    | 1  | 1   | 1  | 1  | 1  |
|             | Yellow      | 1                | 1  | 1   | 1  | 1  | 1  | 1   | 1  | 1     | 1  | 1     | 1  | 1  | 1  | 1   | 1  | 0    | 0  | 0    | 0  | 0   | 0  | 0  | 0  |
|             | White(L255) | 1                | 1  | 1   | 1  | 1  | 1  | 1   | 1  | 1     | 1  | 1     | 1  | 1  | 1  | 1   | 1  | 1    | 1  | 1    | 1  | 1   | 1  | 1  | 1  |
| RED         | RED(000)    | 0                | 0  | 0   | 0  | 0  | 0  | 0   | 0  | 0     | 0  | 0     | 0  | 0  | 0  | 0   | 0  | 0    | 0  | 0    | 0  | 0   | 0  | 0  | 0  |
|             | RED(001)    | 0                | 0  | 0   | 0  | 0  | 0  | 0   | 1  | 0     | 0  | 0     | 0  | 0  | 0  | 0   | 0  | 0    | 0  | 0    | 0  | 0   | 0  | 0  | 0  |
|             | ----        |                  |    |     |    |    |    |     |    |       |    |       |    |    |    |     |    |      |    |      |    |     |    |    |    |
|             | RED(254)    | 1                | 1  | 1   | 1  | 1  | 1  | 1   | 0  | 0     | 0  | 0     | 0  | 0  | 0  | 0   | 0  | 0    | 0  | 0    | 0  | 0   | 0  | 0  | 0  |
|             | RED(255)    | 1                | 1  | 1   | 1  | 1  | 1  | 1   | 1  | 0     | 0  | 0     | 0  | 0  | 0  | 0   | 0  | 0    | 0  | 0    | 0  | 0   | 0  | 0  | 0  |
| GREEN       | GREEN(000)  | 0                | 0  | 0   | 0  | 0  | 0  | 0   | 0  | 0     | 0  | 0     | 0  | 0  | 0  | 0   | 0  | 0    | 0  | 0    | 0  | 0   | 0  | 0  | 0  |
|             | GREEN(001)  | 0                | 0  | 0   | 0  | 0  | 0  | 0   | 0  | 0     | 0  | 0     | 0  | 0  | 0  | 1   | 0  | 0    | 0  | 0    | 0  | 0   | 0  | 0  |    |
|             | ----        |                  |    |     |    |    |    |     |    |       |    |       |    |    |    |     |    |      |    |      |    |     |    |    |    |
|             | GREEN(254)  | 0                | 0  | 0   | 0  | 0  | 0  | 0   | 0  | 1     | 1  | 1     | 1  | 1  | 1  | 1   | 0  | 0    | 0  | 0    | 0  | 0   | 0  | 0  | 0  |
|             | GREEN(255)  | 0                | 0  | 0   | 0  | 0  | 0  | 0   | 0  | 1     | 1  | 1     | 1  | 1  | 1  | 1   | 1  | 0    | 0  | 0    | 0  | 0   | 0  | 0  | 0  |
| BLUE        | BLUE(000)   | 0                | 0  | 0   | 0  | 0  | 0  | 0   | 0  | 0     | 0  | 0     | 0  | 0  | 0  | 0   | 0  | 0    | 0  | 0    | 0  | 0   | 0  | 0  | 0  |
|             | BLUE(001)   | 0                | 0  | 0   | 0  | 0  | 0  | 0   | 0  | 0     | 0  | 0     | 0  | 0  | 0  | 0   | 0  | 0    | 0  | 0    | 0  | 0   | 0  | 0  | 1  |
|             | -----       |                  |    |     |    |    |    |     |    |       |    |       |    |    |    |     |    |      |    |      |    |     |    |    |    |
|             | BLUE(254)   | 0                | 0  | 0   | 0  | 0  | 0  | 0   | 0  | 0     | 0  | 0     | 0  | 0  | 0  | 0   | 0  | 1    | 1  | 1    | 1  | 1   | 1  | 1  | 0  |
|             | BLUE(255)   | 0                | 0  | 0   | 0  | 0  | 0  | 0   | 0  | 0     | 0  | 0     | 0  | 0  | 0  | 0   | 0  | 1    | 1  | 1    | 1  | 1   | 1  | 1  | 1  |



### 3-6 Power Sequence



| Parameter | Values |      |      | Unit |
|-----------|--------|------|------|------|
|           | Min.   | Typ. | Max. |      |
| t1        | 0.47   | -    | 1.0  | ms   |
| t2        | 20     | -    | 50   | ms   |
| t3        | 700    | -    | -    | ms   |
| t4        | 10     | -    | -    | ms   |
| t5        | 1      | -    | 50   | ms   |
| t6        | -      | -    | 300  | ms   |
| t7        | 1,000  | -    | -    | ms   |

Apply the lamp voltage within the LCD operating range. When the backlight turns on before the LCD operation or the LCD turns off before the backlight turns off, the display may momentarily become abnormal.

Caution :

The above on/off sequence should be applied to avoid abnormal function in the display. In case of handling, make sure to turn off the power when you plug the cable into the input connector or pull the cable out of the connector.



## 4. Optical Specification

Optical characteristics are determined after the unit has been 'ON' and stable for approximately 30 minutes in a dark environment at 25°C. The values specified are at an approximate distance 50cm from the LCD surface at a viewing angle of  $\Phi$  and  $\theta$  equal to 0°.

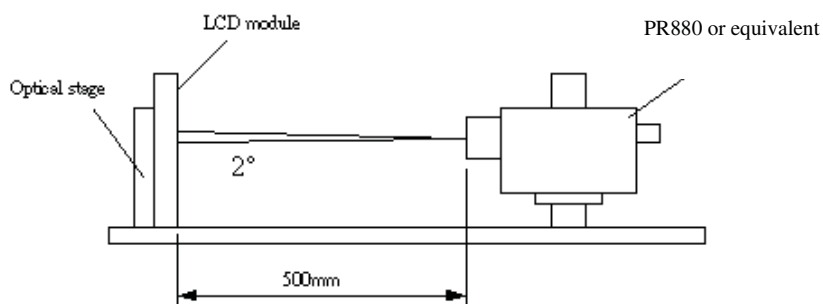


Fig.4-1 Optical measurement equipment and method

| Parameter                | Symbol                              | Value          |           |       | Unit              | Note              |   |
|--------------------------|-------------------------------------|----------------|-----------|-------|-------------------|-------------------|---|
|                          |                                     | Min.           | Typ.      | Max.  |                   |                   |   |
| Contrast Ratio           | CR                                  | 2,000          | 2,500     |       |                   | 1                 |   |
| Surface Luminance, white | LWH                                 | 250            | 300       |       | cd/m <sup>2</sup> | 2                 |   |
| Luminance Variation      | $\delta_{\text{WHITE}}$ 9 p         |                |           | 1.3   |                   | 3                 |   |
| Response Time            | T $\gamma$                          |                | 6.5       |       | ms                | 4                 |   |
| Color Gamut              |                                     |                | 72        |       | %                 |                   |   |
| Color Coordinates        |                                     |                |           |       |                   |                   |   |
|                          | RED                                 | R <sub>X</sub> | Typ.-0.03 | 0.640 | Typ.+0.03         |                   |   |
|                          |                                     | R <sub>Y</sub> |           | 0.330 |                   |                   |   |
|                          | GREEN                               | G <sub>X</sub> |           | 0.290 |                   |                   |   |
|                          |                                     | G <sub>Y</sub> |           | 0.600 |                   |                   |   |
|                          | BLUE                                | B <sub>X</sub> |           | 0.150 |                   |                   |   |
|                          |                                     | B <sub>Y</sub> |           | 0.060 |                   |                   |   |
|                          | WHITE                               | W <sub>X</sub> |           | 0.285 |                   |                   |   |
|                          |                                     | W <sub>Y</sub> |           | 0.293 |                   |                   |   |
| Viewing Angle by ELDIM   |                                     |                |           |       |                   | Contrast Ratio>10 |   |
|                          | x axis, right( $\varphi=0^\circ$ )  | $\theta_r$     | 65        | 88    |                   | Degree            | 5 |
|                          | x axis, left( $\varphi=180^\circ$ ) | $\theta_l$     | 65        | 88    |                   |                   | 5 |
|                          | y axis, up( $\varphi=90^\circ$ )    | $\theta_u$     | 55        | 88    |                   |                   | 5 |
|                          | y axis, down ( $\varphi=0^\circ$ )  | $\theta_d$     | 55        | 88    |                   |                   | 5 |



Note :

1, Contrast Ratio (CR) is defined mathematically as:

$$\text{Contrast Ratio} = \frac{\text{Surface Luminance of } L_{on1}}{\text{Surface Luminance of } L_{off1}}$$

2, Surface luminance is luminance value at point 1 across the LCD surface 50cm from the surface with all pixels displaying white. From more information see FIG 4-2. When  $I_{BL} = 32 \text{ mA}$ ,  $L_{WH} = 350 \text{ cd/m}^2$  (typ.)  $L_{WH} = L_{on1}$ , Where  $L_{on1}$  is the luminance with all pixels displaying white at center 1 location.

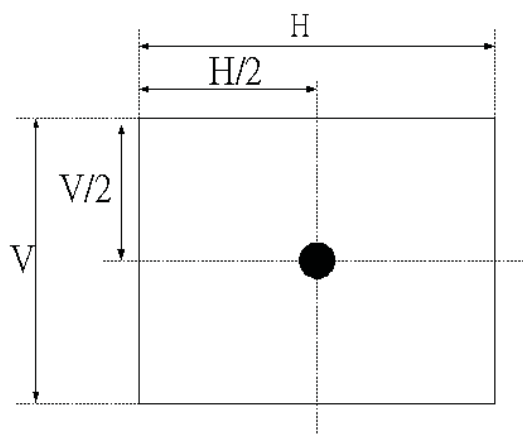


Fig.4-2 Luminance

3, The variation in surface luminance,  $\delta_{WHITE}$  is defined (center of Screen) as:

$$\delta_{WHITE(9P)} = \frac{\text{Maximum}(L_{on1}, L_{on2}, \dots, L_{on9})}{\text{Minimum}(L_{on1}, L_{on2}, \dots, L_{on9})}$$

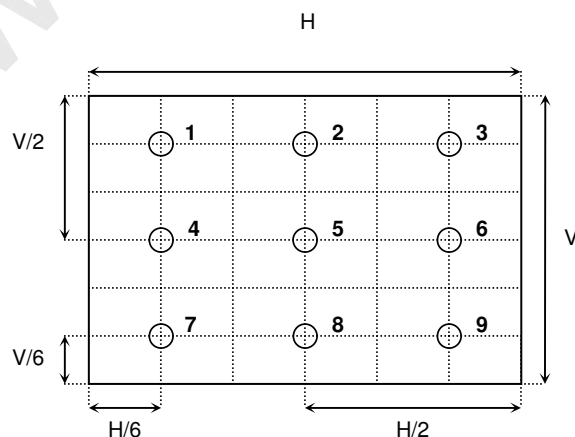


Fig.4-3 Luminance Variation





4, Response time  $T_{\gamma}$  is the average time required for display transition by switching the input signal for five luminance ratio (0%,25%,50%,75%,100% brightness matrix) and is based on  $f_v=60\text{Hz}$  to optimize.

|      | 0%        | 25%        | 50%        | 75%        | 100%       |
|------|-----------|------------|------------|------------|------------|
| 0%   |           | t:0%-25%   | t:0%-50%   | t:0%-75%   | t:0%-100%  |
| 25%  | t:25%-0%  |            | t:25%-50%  | t:25%-75%  | t:25%-100% |
| 50%  | t:50%-0%  | t:50%-25%  |            | t:50%-75%  | t:50%-100% |
| 75%  | t:75%-0%  | t:75%-25%  | t:75%-50%  |            | t:50%-100% |
| 100% | t:100%-0% | t:100%-25% | t:100%-50% | t:100%-75% |            |

5, Viewing angle is the angle at which the contrast ratio is greater than 10. The angles are determined for the horizontal or x axis and the vertical or y axis with respect to the z axis which is normal to the LCD surface. For more information see FIG 4-5.

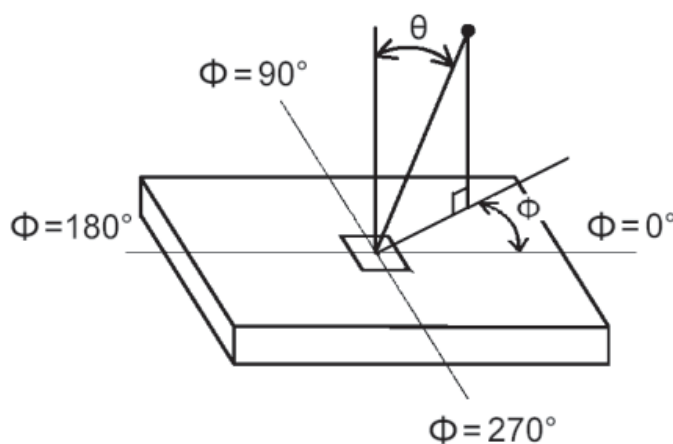


Fig.4-4 Viewing Angle Definition



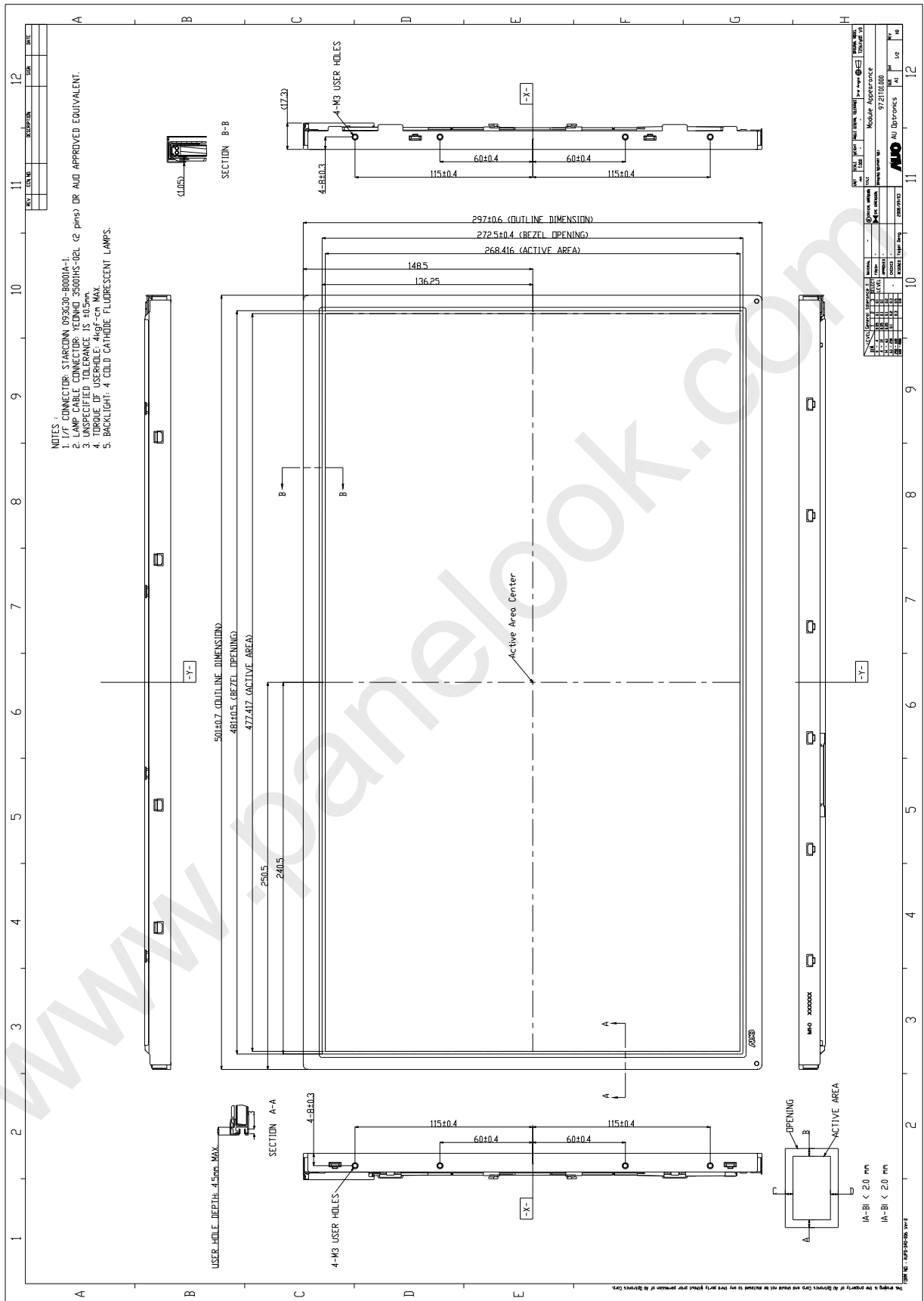
## 5. Mechanical Characteristics

The contents provide general mechanical characteristics for the model T216XW01. In addition the figures in the next page are detailed mechanical drawing of the LCD.

|                     |                   |           |
|---------------------|-------------------|-----------|
| Outline Dimension   | Horizontal (typ.) | 501mm     |
|                     | Vertical (typ.)   | 297mm     |
|                     | Depth (typ.)      | 17.3mm    |
| Bezel Area          | Horizontal (typ.) | 481mm     |
|                     | Vertical (typ.)   | 272.5mm   |
| Active Display Area | Horizontal        | 477.417mm |
|                     | Vertical          | 268.416mm |
| Weight              | 2,350g (typ.)     |           |
| Surface Treatment   | HC, 3H            |           |

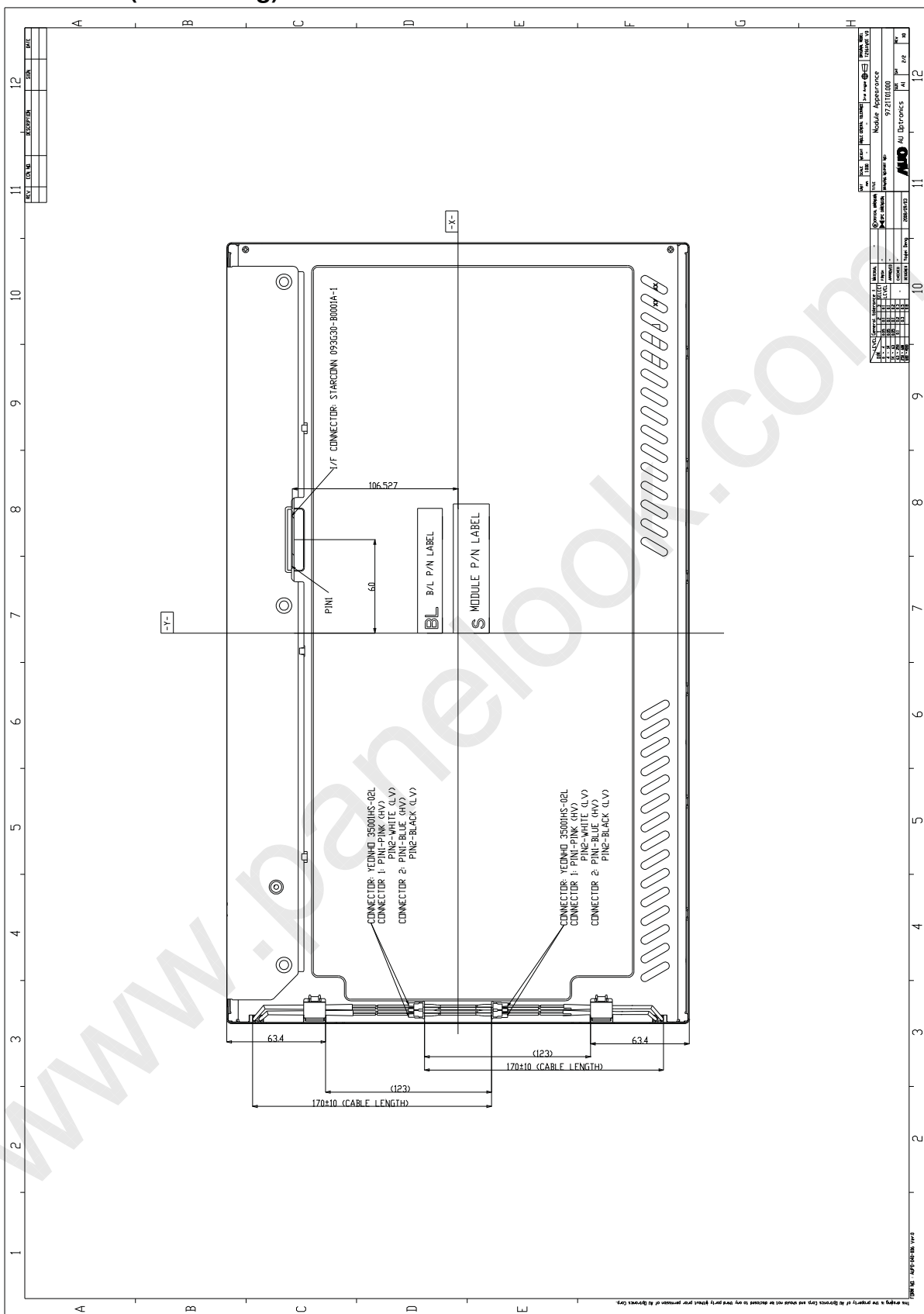


5-1 Front View (2D drawing)





5-2 Rear View (2D drawing)



Note :

1, Assembly lamp connector type : YEONHO 35001HS-02L

©Copyright AU Optonics, Inc.  
 April, 2007 All Rights Reserved.  
 No Reproduction and Redistribution Allowed

T216XW01 V1 Ver0.0

20/26



## 6. Reliability

— Environment test condition

|   | Test Items                 | Q'ty | Conditions   |
|---|----------------------------|------|--|
| 1 | High Temperature Storage   | 3    | 60°C 300 hrs   |
| 2 | Low Temperature Storage    | 3    | -20°C, 300 hrs   |
| 3 | High Temperature Operation | 3    | 50°C, 300 hrs  |
| 4 | Low Temperature Operation  | 3    | -5°C, 300 hrs  |
| 5 | Vibration (non-operation)  | 3    | (10 ~ 300Hz/1.5G/11min SR, XYZ<br>30min/axis)<br>Vibration level : 1.5G RMS, Bandwidth :<br>10-300Hz<br>Duration: X, Y, Z 30min, |
| 6 | Shock (non-operation)      | 3    | Shock level: 50G<br>Waveform: have sine wave, 11ms<br>Direction: ±X,±Y, ±Z One time each<br>direction                            |
| 7 | Vibration (With carton)    | 3    | Random wave (1.5 Grms 10~200Hz)<br>30mins / Per each X.Y.Z axes  |
| 8 | Drop (With carton)         | 3    | Height: 45.7cm<br>1 corner, 3 edges, 6 surfaces<br>(ASTMD4169-I)   |



## 7. International Standard

### 7-1 Safety

- 1, UL6500, Underwriters Laboratories, Inc. (AUO file number : E204356)

Standard for Safety of Information Technology Equipment Including electrical Business Equipment.

- 2, CAN/CSA C22.2 No. 950-95 Third Edition, Canadian Standards Association, Jan. 28, 1995

Standard for Safety of Information Technology Equipment Including Electrical Business Equipment.

- 3, EN60950 : 1992+A2: 1993+A2: 1993+C3: 1995+A4: 1997+A11: 1997

IEC 950: 1991+A1: 1992+A2: 1993+C3: 1995+A4:1996

IEC 60065

European Committee for Electro technical Standardization (CENELEC)

EUROPEAN STANDARD for Safety of Information Technology Equipment Including Electrical Business Equipment.

### 7-2. EMC

- 1, ANSI C63.4 "Methods of Measurement of Radio-Noise Emissions from Low-Voltage Electrical and Electrical Equipment in the Range of 9kHz to 40GHz. "American National standards Institute(ANSI), 1992

- 2, C.I.S.P.R "Limits and Methods of Measurement of Radio Interface Characteristics of Information Technology Equipment." International Special committee on Radio Interference.

- 3, EN 55022 "Limits and Methods of Measurement of Radio Interface Characteristics of Information Technology Equipment." European Committee for Electrotechnical Standardization. (CENELEC), 1998

### 7-3 Green

Green Mark Description:

- 1, For Pb Free products, AUO will add  for identification.

- 2, For RoHS compatible products, AUO will add  for identification.

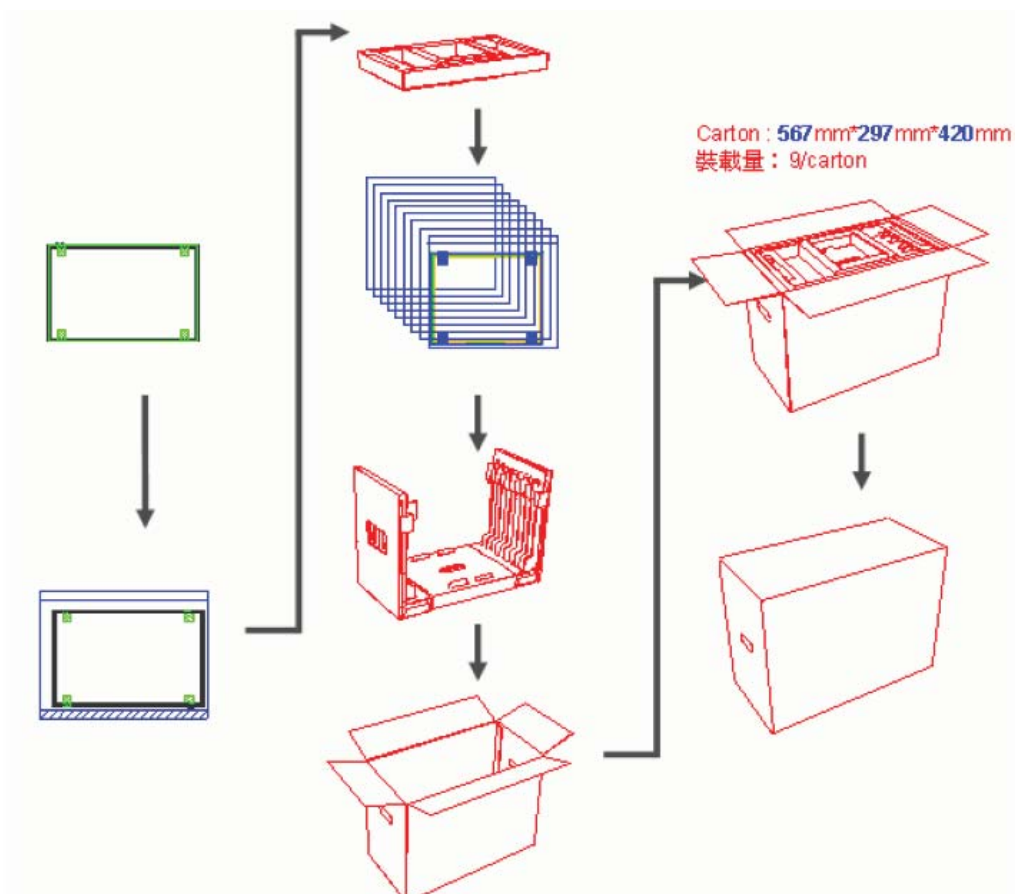
Note :

The Green Mark will be present only when the green documents have been ready by AUO Internal Green Team. (The definition of green design follows the AUO green design checklist.)



## 8. Packing

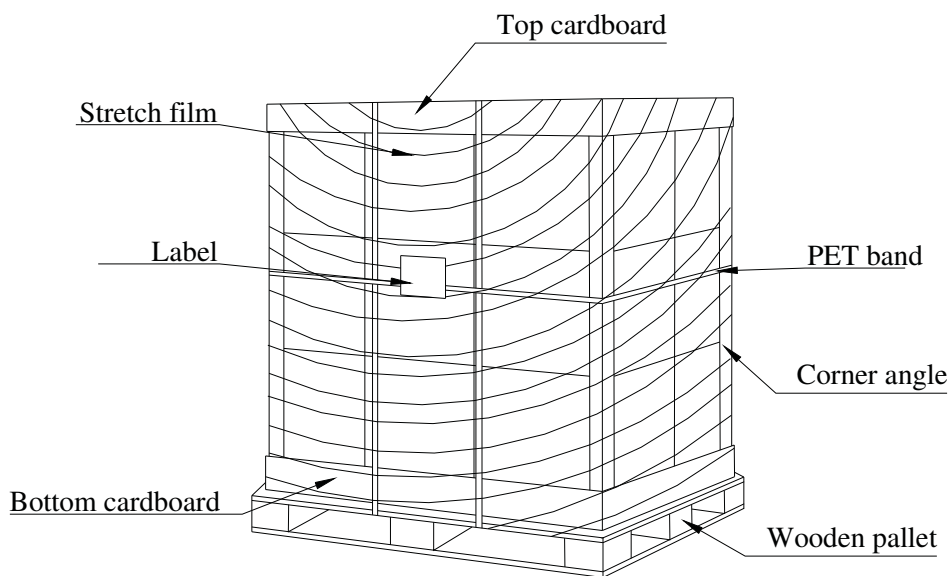
### 8-1 Packing Instruction



### 8-2 Pallet Information

By air & by sea (3\*2)\*2 layers, 12 boxes in a pallet, total 108 pcs of module in a pallet

Dimension : 1,150 \* 910 \* 1,944 mm

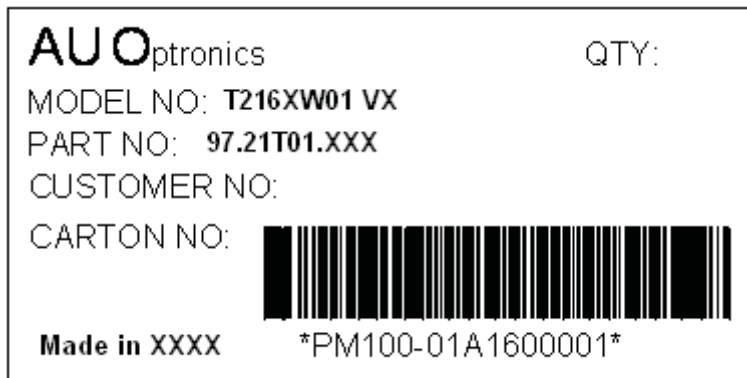


Pallet Dimension : 1,150 \* 910 \* 138 mm

### 8-2 Shipping Label



### 8-3 Carton Label







## 9. PRECAUTIONS

Please pay attention to the followings when you use this TFT LCD module.

### 9-1 MOUNTING PRECAUTIONS

- 1, You must mount a module using holes arranged in four corners or four sides.
- 2, You should consider the mounting structure so that uneven force (ex. Twisted stress) is not applied to module. And the case on which a module is mounted should have sufficient strength so that external force is not transmitted directly to the module.
- 3, Please attach the surface transparent protective plate to the surface in order to protect the polarizer. Transparent protective plate should have sufficient strength in order to resist external force.
- 4, You should adopt radiation structure to satisfy the temperature specification.
- 5, Acetic acid type and chlorine type materials for the cover case are not desirable because the former generates corrosive gas of attacking the polarizer at high temperature and the latter causes circuit break by electro-chemical reaction.
- 6, Do not touch, push or rub the exposed polarizers with glass, tweezers or anything harder than HB pencil lead. And please do not rub with dust clothes with chemical treatment. Do not touch the surface of polarizer for bare hand or greasy cloth. (Some cosmetics are detrimental to the polarizer.)
- 7, When the surface becomes dusty, please wipe gently with absorbent cotton or other soft materials like chamois soaks with petroleum benzene. Normal-hexane is recommended for cleaning the adhesives used to attach front/ rear polarizers. Do not use acetone, toluene and alcohol because they cause chemical damage to the polarizer.
- 8, Wipe off saliva or water drops as soon as possible. Their long time contact with polarizer causes deformations and color fading.
- 9, Do not open the case because inside circuits do not have sufficient strength.

### 9-2 OPERATING PRECAUTIONS

- 1, The device listed in the product specification sheets was designed and manufactured for TV application
- 2, The spike noise causes the mis-operation of circuits. It should be lower than following voltage:  
 $V = \pm 200\text{mV}$  (Over and under shoot voltage)
- 3, Response time depends on the temperature. (In lower temperature, it becomes longer..)
- 4, Brightness depends on the temperature. (In lower temperature, it becomes lower.) And in lower temperature, response time (required time that brightness is stable after turned on) becomes longer.
- 5, Be careful for condensation at sudden temperature change. Condensation makes damage to polarizer or electrical contacted parts. And after fading condensation, smear or spot will occur.
- 6, When fixed patterns are displayed for a long time, remnant image is likely to occur.



7, Module has high frequency circuits. Sufficient suppression to the electromagnetic interference shall be done by system manufacturers. Grounding and shielding methods may be important to minimize the interface.

### 9-3 ELECTROSTATIC DISCHARGE CONTROL

Since a module is composed of electronic circuits, it is not strong to electrostatic discharge. Make certain that treatment persons are connected to ground through wrist band etc. And don't touch interface pin directly.

### 9-4 PRECAUTIONS FOR STRONG LIGHT EXPOSURE

Strong light exposure causes degradation of polarizer and color filter.

### 9-5 STORAGE

When storing modules as spares for a long time, the following precautions are necessary.

- 1, Store them in a dark place. Do not expose the module to sunlight or fluorescent light. Keep the temperature between 5°C and 35°C at normal humidity.
- 2, The polarizer surface should not come in contact with any other object. It is recommended that they be stored in the container in which they were shipped.

### 9-6 HANDLING PRECAUTIONS FOR PROTECTION FILM

- 1, The protection film is attached to the bezel with a small masking tape. When the protection film is peeled off, static electricity is generated between the film and polarizer. This should be peeled off slowly and carefully by people who are electrically grounded and with well ion-blown equipment or in such a condition, etc.
- 2, When the module with protection film attached is stored for a long time, sometimes there remains a very small amount of glue still on the Bezel after the protection film is peeled off.
- 3, You can remove the glue easily. When the glue remains on the Bezel or its vestige is recognized, please wipe them off with absorbent cotton waste or other soft material like chamois soaked with normal-hexane.