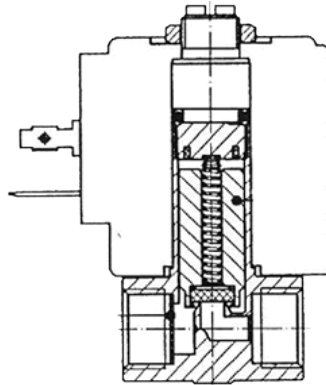


### Model # T2D42-00V-M

2-way, direct acting, normally closed solenoid valve



<b>1/4"</b> Pipe Size (Inch)	<b>5/32"</b> Orifice Size (Inch)	<b>0.35</b> Flow Factor (CV)	<b>12 VDC</b> Voltage (DC)	<b>8 watts</b> Wattage (W)	<b>0–45 psi</b> Pressure Range (PSI)
<b>FKM</b> Sealing Material	<b>14°–280° F</b> Temperature Range	<b>Power cord</b> Connector Supplied	<b>Air, Inert gas, Water, Synthetic oils</b> Medium Examples		

#### Materials of Construction

Body:	<b>Brass</b>
Armature Tube:	<b>Brass</b>
Fixed Core:	<b>Stainless Steel 400</b>
Plunger:	<b>Stainless Steel 400</b>
Spring:	<b>Stainless Steel 300</b>
Shading Ring:	<b>Copper</b>
Orifice:	<b>Brass</b>

#### Electrical Specifications

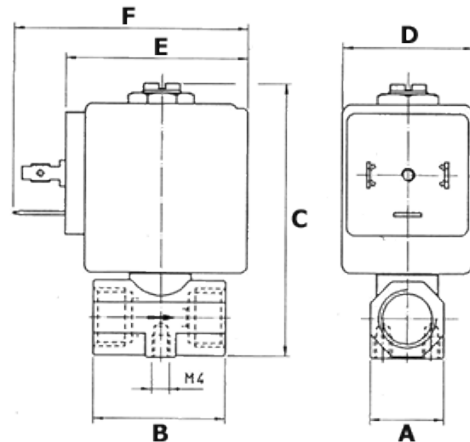
Rating:	<b>NEMA 4</b>
---------	---------------

#### Spare Part Numbers

Kit:	<b>Not Available</b>
Coil:	<b>D4</b>
Connector:	<b>GRN100</b>

#### Valve Dimensions

Valve Width (A):	<b>11/16"</b>
Valve Length (B):	<b>1 1/2"</b>
Valve Height (C):	<b>2 7/16"</b>
Coil Width (D):	<b>1 3/16"</b>
Coil Length (E):	<b>1 21/32"</b>
Coil Length (F):	<b>2 1/8"</b>



**Note:** Valve is pictured above with a sample coil, which may or may not reflect the exact specifications of this particular build.