

Model Name: T315XW03 V5

Issue Date : 2010/01/11

() Preliminary Specifications

(*) Final Specifications

Customer Signature	Date	AUO	Date
Approved By _____		Approval By PM Director <i>Frank Hsu</i> _____	
Note		Reviewed By RD Director <i>Eugene CC Chen</i> _____	
		Reviewed By Project Leader <i>Wenhsin Lin</i> _____	
		Prepared By PM <i>Marcus Lai</i> _____	

Contents

No		
		CONTENTS
		RECORD OF REVISIONS
1		GENERAL DESCRIPTION
2		ABSOLUTE MAXIMUM RATINGS
3		ELECTRICAL SPECIFICATION
	3-1	ELECTRICAL CHARACTERISTICS
	3-2	INTERFACE CONNECTIONS
	3-3	SIGNAL TIMING SPECIFICATION
	3-4	SIGNAL TIMING WAVEFORM
	3-5	COLOR INPUT DATA REFERENCE
	3-6	POWER SEQUENCE
	3-7	BACKLIGHT SPECIFICATION
4		OPTICAL SPECIFICATION
5		MECHANICAL CHARACTERISTICS
6		RELIABILITY TEST ITEMS
7		INTERNATIONAL STANDARD
	7-1	SAFETY
	7-2	EMC
8		PACKING
	8-1	DEFINITION OF LABEL
	8-2	PACKING METHODS
	8-3	PALLET AND SHIPMENT INFORMATION
9		PRECAUTION
	9-1	MOUNTING PRECAUTIONS
	9-2	OPERATING PRECAUTIONS
	9-3	ELECTROSTATIC DISCHARGE CONTROL
	9-4	PRECAUTIONS FOR STRONG LIGHT EXPOSURE
	9-5	STORAGE
	9-6	HANDLING PRECAUTIONS FOR PROTECT FILM

Record of Revision

Version	Date	Page	Description
0.1	2009/12/06		Preliminary Spec
1.0	2009/01/11	16	Striking Voltage : At 25°C min 2,330, At 25°C min 2,780
		25	Drop Test (with carton) Height: 45.7 cm , 1 corner, 3 edges, 6 surfaces (ASTM-D5276)
		25	Vibration test (With carton) Q'ty : 4 pcs , Drop test (With carton) Q'ty: 4 pcs

1. General Description

This specification applies to the 31.5 inch Color TFT-LCD Module T315XW03 V5. This LCD module has a TFT active matrix type liquid crystal panel 1,366 x 768 pixels, and diagonal size of 31.5 inch. This module supports 1,366 x 768 mode. Each pixel is divided into Red, Green and Blue sub-pixels or dots which are arranged in horizontal stripes. Gray scale or the brightness of the sub-pixel color is determined with an 8-bit gray scale signal for each dot.

The T315XW03 V5 has been designed to apply the 8-bit 1 channel LVDS interface method. It is intended to support displays where high brightness, wide viewing angle, high color saturation, and high color depth are very important.

* General Information

Items	Specification	Unit	Note
Active Screen Size	31.5	inch	
Display Area	697.685 (H) x 392.256(V)	mm	
Outline Dimension	760.0 (H) x 450.0 (V) x 45.0(D)	mm	Reference
Driver Element	a-Si TFT active matrix		
Display Colors	8 bit, 16.7M	Colors	
Number of Pixels	1,366 x 768	Pixel	
Pixel Pitch	0.51075	mm	
Pixel Arrangement	RGB horizontal stripe		
Display Operation Mode	Normally Black		
Surface Treatment	Anti-Glare, 3H		Haze=11%

2. Absolute Maximum Ratings

The followings are maximum values which, if exceeded, may cause faulty operation or damage to the unit

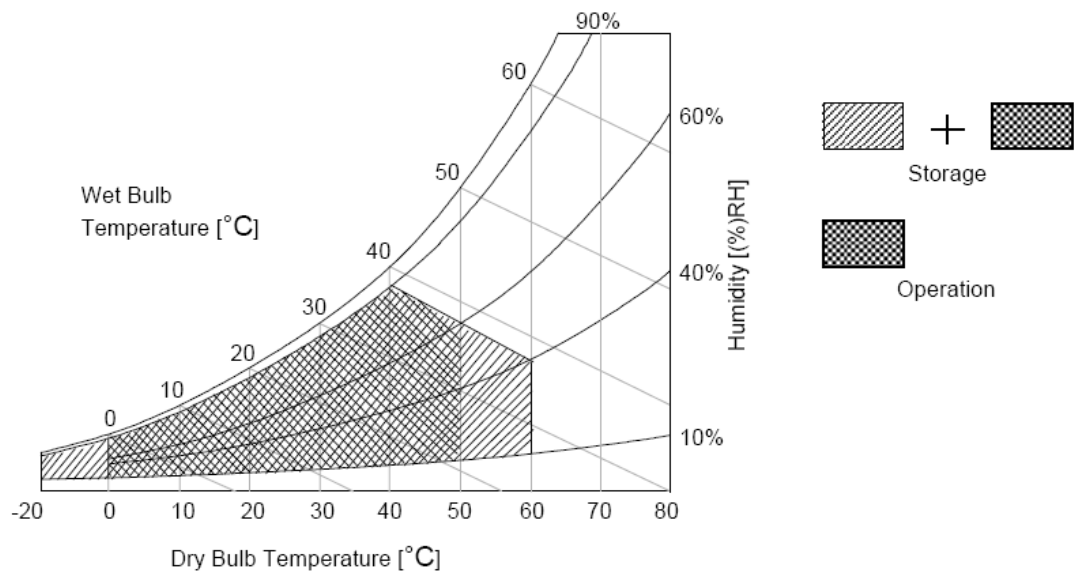
Item	Symbol	Min	Max	Unit	Conditions
Logic/LCD Drive Voltage	Vcc	-0.3	14	[Volt]	Note 1
Input Voltage of Signal	Vin	-0.3	4	[Volt]	Note 1
Operating Temperature	TOP	0	+50	[°C]	Note 2
Operating Humidity	HOP	10	90	[%RH]	Note 2
Storage Temperature	TST	-20	+60	[°C]	Note 2
Storage Humidity	HST	10	90	[%RH]	Note 2
Panel Surface Temperature	PST	-	65	[°C]	Note 3

Note 1: Duration:50 msec.

Note 2 : Maximum Wet-Bulb should be 39°C and No condensation.

The relative humidity must not exceed 90% non-condensing at temperatures of 40°C or less. At temperatures greater than 40°C, the wet bulb temperature must not exceed 39°C.

Note 3: Surface temperature is measured at 50°C Dry condition



3. Electrical Specification

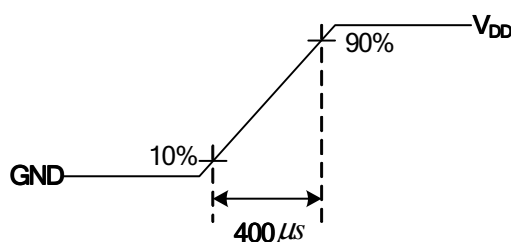
The T315XW03 V5 requires two power inputs. One is employed to power the LCD electronics and to drive the TFT array and liquid crystal. The second input for BLU is to power inverter.

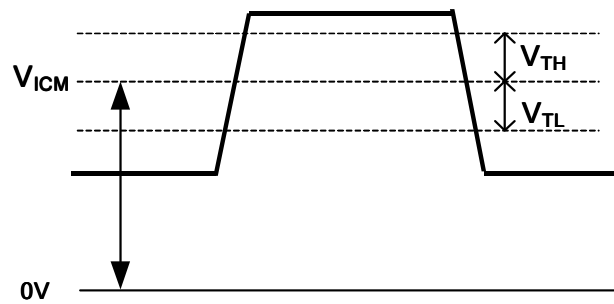
3-1 Electrical Characteristics

Parameter		Symbol	Value			Unit	Note
			Min.	Typ.	Max		
LCD							
Power Supply Input Voltage		V_{DD}	10.8	12	13.2	V_{DC}	1
Power Supply Input Current		I_{DD}	--	0.3	0.4	A	2
Power Consumption		P_C	--	3.6	4.32	Watt	2
Inrush Current		I_{RUSH}	--	2	3	A	3
LVDS Interface	Differential Input High Threshold Voltage	V_{TH}	--	--	+100	mV_{DC}	4
	Differential Input Low Threshold Voltage	V_{TL}	-100	--	--	mV_{DC}	4
	Input Common Mode Voltage	V_{ICM}	1.1	1.25	1.4	V_{DC}	4
CMOS Interface	Input High Threshold Voltage	V_{IH} (High)	2.7	--	3.3	V_{DC}	--
	Input Low Threshold Voltage	V_{IL} (Low)	--	--	0.6	V_{DC}	--
Backlight Power Consumption		P_{BL}	--	78	--	Watt	--
Life Time			50,000		--	Hours	8

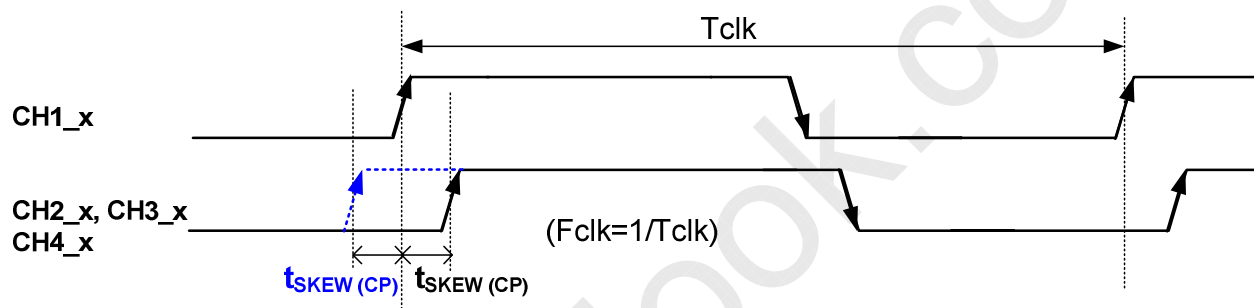
Note :

- The ripple voltage should be controlled under 10% of V_{CC}
- Test Condition:
 - $V_{DD} = 12.0V$
 - $F_v = 60Hz$
 - $F_{CLK} = 81.5 Mhz$ (typ.)
 - Temperature = 25 °C
 - Test Pattern : White Pattern
- Measurement condition : Rising time = 400us



4. $V_{ICM} = 1.25V$


5. Input Channel Pair Skew Margin



6. Do not attach a conducting tape to lamp connecting wire. If the lamp wire attach to conducting tape, TFT-LCD Module have a low luminance and the inverter has abnormal action because leakage current occurs between lamp wire and conducting tape.
7. The relative humidity must not exceed 80% non-condensing at temperatures of $40^{\circ}C$ or less. At temperatures greater than $40^{\circ}C$, the wet bulb temperature must not exceed $39^{\circ}C$. When operate at low temperatures, the brightness of CCFL will drop and the life time of CCFL will be reduced.
8. Specified values are for a single lamp only which is aligned horizontally. The lifetime is defined as the time which luminance of the lamp is 50% compared to its original value.
 [Operating condition: Continuous operating at $T_a = 25 \pm 2^{\circ}C$]

3-2 Interface Connections

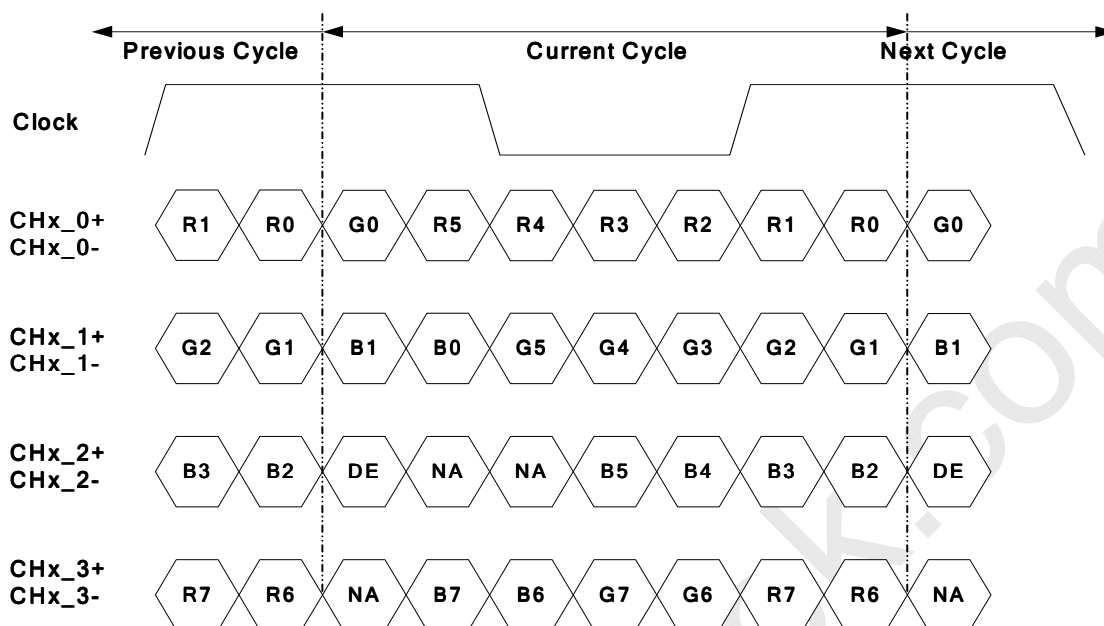
- LCD Connector - FFC connector on source board : P-two 196282-30041

Pin No	P-two 196282-30041	
1	Reserved	No Connect (AUO Internal Use)
2	Reserved	No Connect (AUO Internal Use)
3	Reserved	No Connect (AUO Internal Use)
4	GND	Ground
5	R_0-	LVDS Channel, Signal 0-
6	R_0+	LVDS Channel, Signal 0+
7	GND	Ground
8	R_1-	LVDS Channel, Signal 1-
9	R_1+	LVDS Channel, Signal 1+
10	GND	Ground
11	R_2-	LVDS Channel, Signal 2-
12	R_2+	LVDS Channel, Signal 2+
13	GND	Ground
14	R_CLK-	LVDS Channel, Clock -
15	R_CLK+	LVDS Channel, Clock +
16	GND	Ground
17	R_3-	LVDS Channel, Signal 3-
18	R_3+	LVDS Channel, Signal 3+
19	GND	Ground
20	Reserved	No connect (AUO Internal Use)
21	LVDS_SEL	Open/High(3.3V) for NS, Low(GND) for JEIDA
22	Reserved	No Connect (AUO Internal Use)
23	GND	Ground
24	GND	Ground
25	GND	Ground
26	V _{DD}	Operating Voltage Supply, +12V DC Regulated
27	V _{DD}	Operating Voltage Supply, +12V DC Regulated
28	V _{DD}	Operating Voltage Supply, +12V DC Regulated
29	V _{DD}	Operating Voltage Supply, +12V DC Regulated
30	V _{DD}	Operating Voltage Supply, +12V DC Regulated

- LCD Connector - LVDS connector on transfer board : Starconn 093G30-B0001A-1

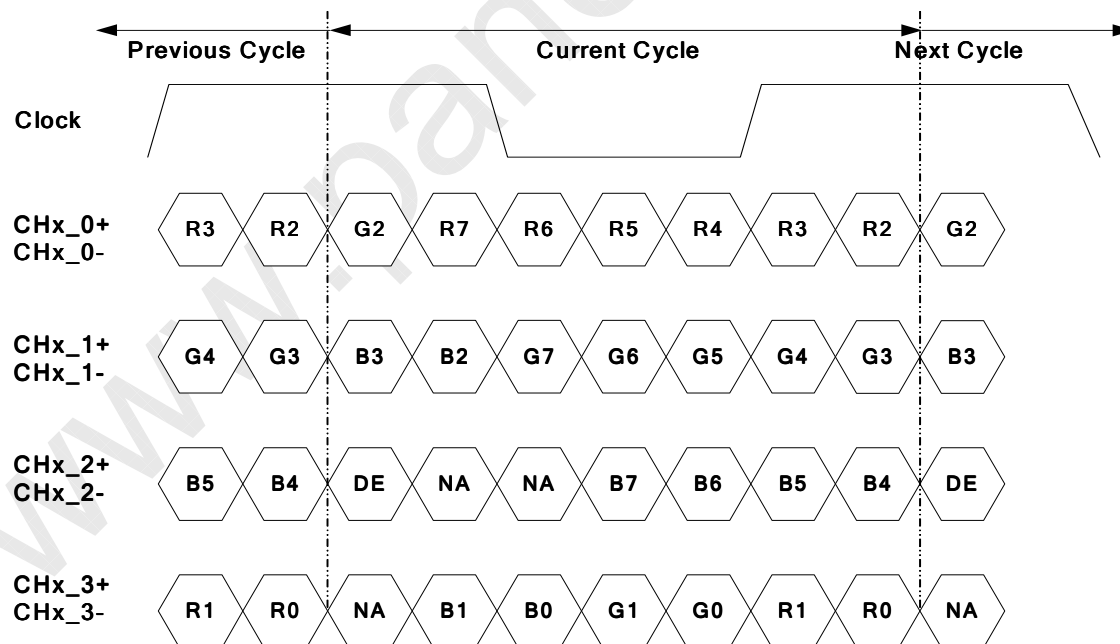
Pin No.	Starconn 093G30-B0001A-1	
1	VCC	+12V, DC, Regulated
2	VCC	+12V, DC, Regulated
3	VCC	+12V, DC, Regulated
4	VCC	+12V, DC, Regulated
5	GND	Ground and Signal Return
6	GND	Ground and Signal Return
7	GND	Ground and Signal Return
8	GND	Ground and Signal Return
9	LVDS Option	Open/High(3.3V) for NS, Low(GND) for JEIDA
10	Reserved	NC(Aging)AUO internal test
11	GND	Ground and Signal Return for LVDS
12	RIN0-	LVDS Channel 0 negative
13	RIN0+	LVDS Channel 0 positive
14	GND	Ground and Signal Return for LVDS
15	RIN1-	LVDS Channel 1 negative
16	RIN1+	LVDS Channel 1 positive
17	GND	Ground and Signal Return for LVDS
18	RIN2-	LVDS Channel 2 negative
19	RIN2+	LVDS Channel 2 positive
20	GND	Ground and Signal Return for LVDS
21	RCLK-	LVDS Clock negative
22	RCLK+	LVDS Clock positive
23	GND	Ground and Signal Return for LVDS
24	RIN3-	LVDS Channel 3 negative
25	RIN3+	LVDS Channel 3 positive
26	GND	Ground and Signal Return for LVDS
27	Reserved	NC (AUO internal test)
28	Reserved	NC (AUO internal test)
29	GND	Ground and Signal Return
30	GND	Ground and Signal Return

● LVDS Option = High/Open → NS



Note: x = 1, 2, 3, 4...

● LVDS Option = Low → JEIDA



Note: x = 1, 2, 3, 4...

3-3 Signal Timing Specification

This is the signal timing required at the input of the user connector. All of the interface signal timing should be satisfied with the following specifications for its proper operation.

Signal	Item	Symbol	Min.	Typ.	Max	Unit
Vertical Section	Period	Tv	784	810	1015	Th
	Active	Tdisp (v)	768			Th
	Blanking	Tblk (v)	16	42	247	Th
Horizontal Section	Period	Th	1460	1648	2000	Tclk
	Active	Tdisp (h)	1366			Tclk
	Blanking	Tblk (h)	94	282	634	Tclk
Clock	Frequency	Fclk=1/Tclk	50	80	86	MHz
Vertical Frequency	Frequency	Fv	47	60	63	Hz
Horizontal Frequency	Frequency	Fh	43	48	53	KHz

Note:

(1) Display position is specific by the rise of DE signal only.

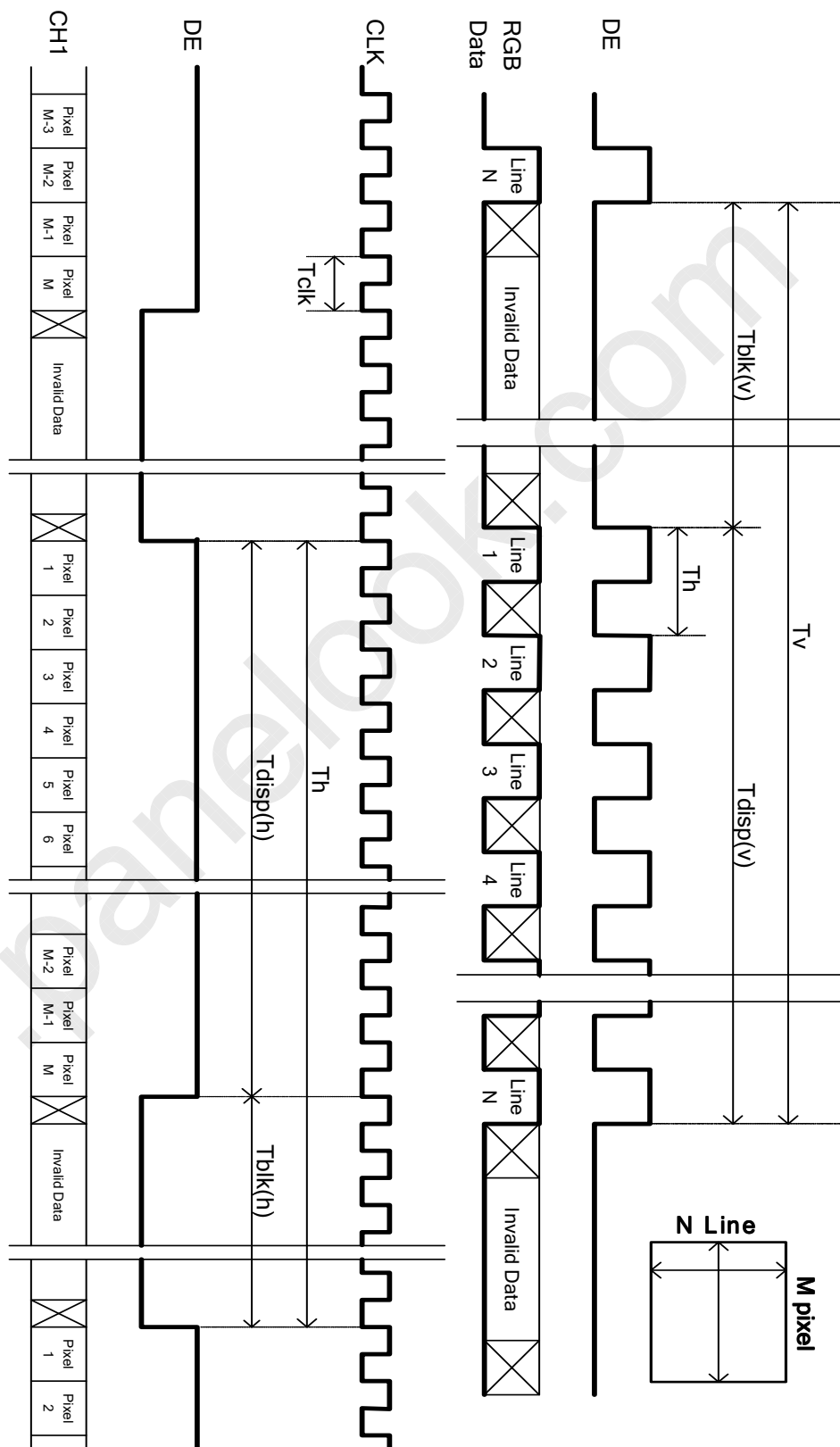
Horizontal display position is specified by the rising edge of 1st DCLK after the rise of 1st DE, is displayed on the left edge of the screen.

(2) Vertical display position is specified by the rise of DE after a "Low" level period equivalent to eight times of horizontal period. The 1st data corresponding to one horizontal line after the rise of 1st DE is displayed at the top line of screen.

(3) If a period of DE "High" is less than 1,366 DCLK or less than 768 lines, the rest of the screen displays black.

(4) The display position does not fit to the screen if a period of DE "High" and the effective data period do not synchronize with each other.

3-4 Signal Timing Waveforms



3-5 Color Input Data Reference

The brightness of each primary color (red, green and blue) is based on the 8 bit gray scale data input for the color; the higher the binary input, the brighter the color. The table below provides a reference for color versus data input.

- Color Data Reference

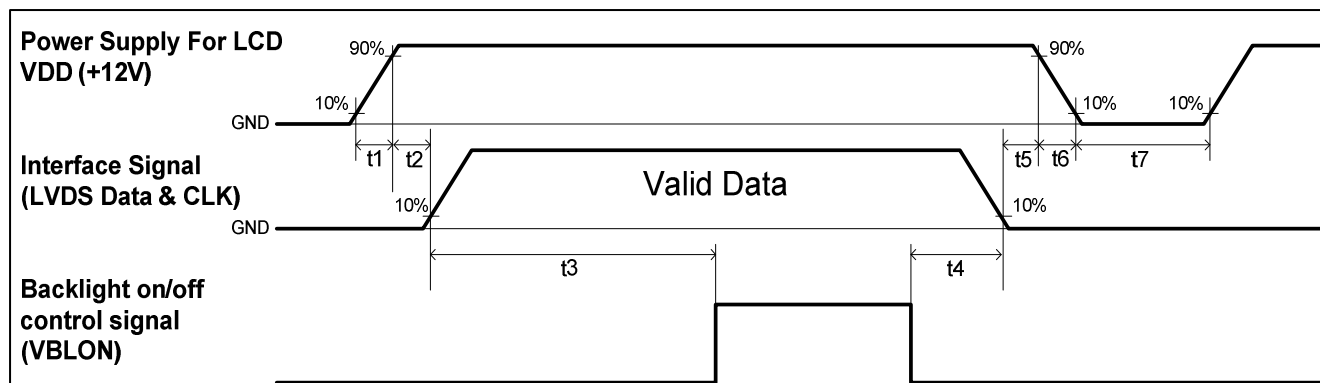
Color		Input Color Data																							
		RED								GREEN								BLUE							
		MSB				LSB				MSB				LSB				MSB				LSB			
		R7	R6	R5	R4	R3	R2	R1	R0	G7	G6	G5	G4	G3	G2	G1	G0	B7	B6	B5	B4	B3	B2	B1	B0
Basic Color	Black	0	0	0	0	0	0	0	0	0	0	0	0	0	0	0	0	0	0	0	0	0	0	0	0
	Red(255)	1	1	1	1	1	1	1	1	0	0	0	0	0	0	0	0	0	0	0	0	0	0	0	0
	Green(255)	0	0	0	0	0	0	0	0	1	1	1	1	1	1	1	1	0	0	0	0	0	0	0	0
	Blue(255)	0	0	0	0	0	0	0	0	0	0	0	0	0	0	0	0	1	1	1	1	1	1	1	1
	Cyan	0	0	0	0	0	0	0	0	1	1	1	1	1	1	1	1	1	1	1	1	1	1	1	1
	Magenta	1	1	1	1	1	1	1	1	0	0	0	0	0	0	0	0	1	1	1	1	1	1	1	1
	Yellow	1	1	1	1	1	1	1	1	1	1	1	1	1	1	1	1	0	0	0	0	0	0	0	0
	White	1	1	1	1	1	1	1	1	1	1	1	1	1	1	1	1	1	1	1	1	1	1	1	1
R	RED(000)	0	0	0	0	0	0	0	0	0	0	0	0	0	0	0	0	0	0	0	0	0	0	0	0
	RED(001)	0	0	0	0	0	0	0	1	0	0	0	0	0	0	0	0	0	0	0	0	0	0	0	0

	RED(254)	1	1	1	1	1	1	1	0	0	0	0	0	0	0	0	0	0	0	0	0	0	0	0	0
	RED(255)	1	1	1	1	1	1	1	1	0	0	0	0	0	0	0	0	0	0	0	0	0	0	0	0
G	GREEN(000)	0	0	0	0	0	0	0	0	0	0	0	0	0	0	0	0	0	0	0	0	0	0	0	0
	GREEN(001)	0	0	0	0	0	0	0	0	0	0	0	0	0	0	0	1	0	0	0	0	0	0	0	0

	GREEN(254)	0	0	0	0	0	0	0	0	1	1	1	1	1	1	1	0	0	0	0	0	0	0	0	0
	GREEN(255)	0	0	0	0	0	0	0	0	1	1	1	1	1	1	1	1	0	0	0	0	0	0	0	0
B	BLUE(000)	0	0	0	0	0	0	0	0	0	0	0	0	0	0	0	0	0	0	0	0	0	0	0	0
	BLUE(001)	0	0	0	0	0	0	0	0	0	0	0	0	0	0	0	0	0	0	0	0	0	0	0	1

	BLUE(254)	0	0	0	0	0	0	0	0	0	0	0	0	0	0	0	0	1	1	1	1	1	1	1	0
	BLUE(255)	0	0	0	0	0	0	0	0	0	0	0	0	0	0	0	0	1	1	1	1	1	1	1	1

3-6 Power Sequence for LCD



Parameter	Values			Unit
	Min.	Type.	Max.	
t1	0.4	---	30	ms
t2	0.1	---	---	ms
t3	200	---	---	ms
t4	0 ^{*1}	---	---	ms
t5	0	---	---	ms
t6	---	---	--- ^{*2}	ms
t7	500	---	---	ms

Note:

(1) T4=0 : concern for residual pattern before BLU turn off.

(2) T6 : voltage of VDD must decay smoothly after power-off. (customer system decide this value)

3-7 Backlight Specification

The backlight unit contains 4U CCFLs (Cold Cathode Fluorescent Lamp)

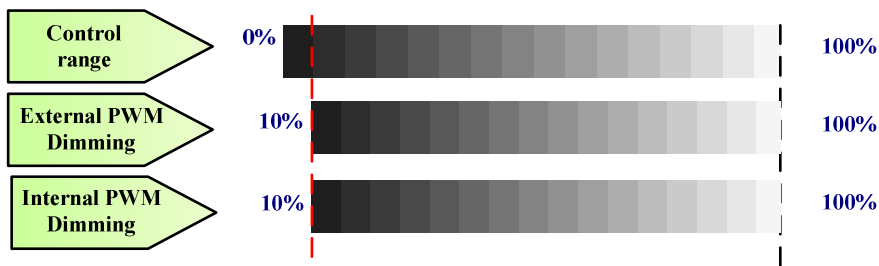
3-7-1 Electrical specification

Description		Min	Typ	Max	Unit	Condition/Note	
1	Operating Voltage Vo	1,278	1,420	1,562	[Vrms]	1. Dimming range is set 100% 2. Base on lamp specification, for each lamp need to be applied at least minimum operating voltage to ensure each lamp can be normally worked!	
2	Operating Current Io	12.0	12.5	13.0	mArms	1. Dimming range is set 100% 2. Base on lamp specification, for each lamp need to be applied at least minimum operating current to ensure each lamp can be normally worked!	
3	BL Total Power Dissipation PBL	76	78	80	Watt	1. Dimming range is set 100%. 2. In order to get typical light out, the backlight need to be applied typical power. 3. Input power of JIG BD is about <u>78 W (typ)</u> by AUO measure!	
4	Striking Voltage	At 0°C	2,780	--	--	Vrms	1. Base on lamp specification, to ensure each lamp can be normally ignited, need to apply at least minimum striking voltage to each lamp
		At 25°C	2,330	--	--		
5	Striking Time Ts	1,000	--	1,500	msec	1. To ensure each lamp can be normally ignited, each lamp need to be applied at least minimum striking voltage during minimum striking time.	
6	Operating Frequency fo	--	55	--	kHz	1. Operating frequency is set by customer. 2. Need to double confirm display quality.	
7	PWM Operating Frequency F_PWM	120	180	240	Hz	1. PWM frequency is set by customer. 2. Need to double confirm display quality.	
8	PWM Dimming Duty Ratio D_PWM	10	--	100	%	Note 1. Dimming Range Note 2. Note 3. Duty Ratio Definition.	
9	Lamp Type	U type					
10	Number of Lamps	4			pcs		

(Ta=25±5°C, Turn on for 45minutes)

Note 1:

Dimming Range : 10% – 100%



PWM Dimming : include Internal and External PWM Dimming

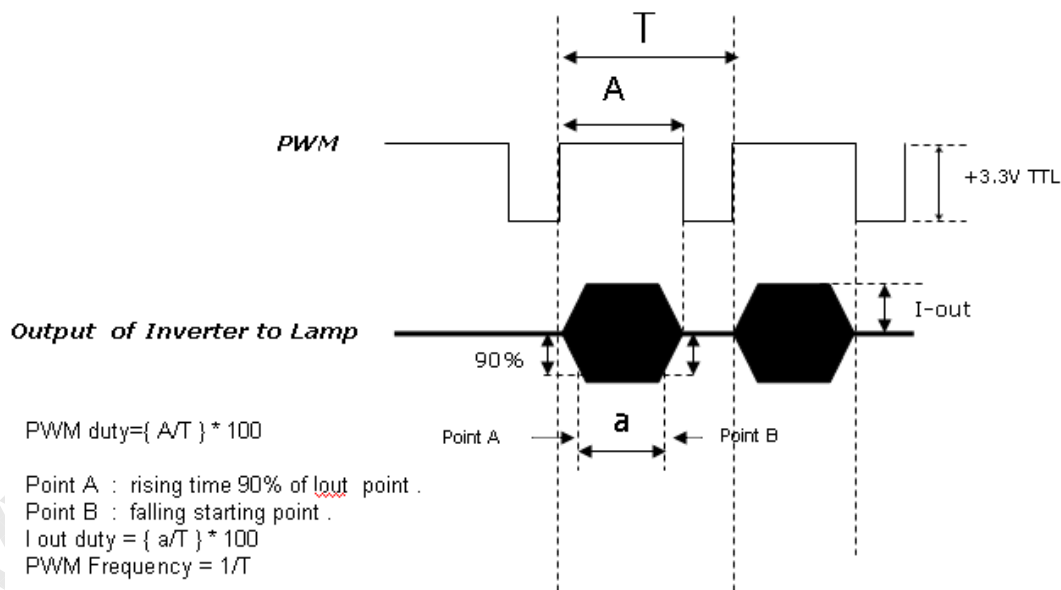
Note 2:

When PWM dimming ratio is operated within recommend value, backlight can be ensured that there is no flicker and uniformity issue and display quality of panel can be normally display!

When PWM dimming ration is operated less than recommend value, backlight need to be double confirmed display quality. LIPS need to be double confirmed feedback signal and all protection function!

Note 3:

Duty Ratio Definition.



3-7-2 Lamp specification

	Description		Min	Typ	Max	Unit	Note
1	Lamp voltage	Vlamp	1,278	1,420	1,562	[Vrms]	At lamp =12.5mA
2	Lamp current	Ilamp	12.0	12.5	13.0	[mArms]	
3	Lamp frequency	flamp	35	-	80	[KHz]	
4	Striking voltage	At 25°C	2,330	-	-	[Vrms]	
		At 0°C	2,780	-	-	[Vrms]	
5	Delayed discharge time	Tdelay	-	-	1,000	[msec]	
6	Life time		50,000	-	-	[hr]	
7	Unsymmetrical ratio		-	-	10%	-	Note 1.
8	Crest factor (C.F)		$\sqrt{2} - 10\%$	$\sqrt{2}$	$\sqrt{2} + 10\%$	-	

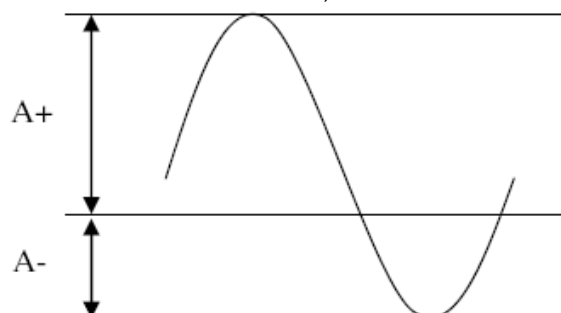
The above characteristics are measured under the conditions:

Ambient temperature: 25±2°C,

Relative Humidity: 65±20%RH.

Note 1:

Please light on the lamp with symmetrical voltage and current waveform (unsymmetrical ratio is less than 10%, crest factor within $\sqrt{2} \pm 10\%$).



$$\text{Unsymmetrical ratio} = |(A+) - (A-)| / \text{Arms} * 100\%$$

$$\text{Crest factor} = (A+) / \text{Arms} \text{ or } (A-) / \text{Arms}$$

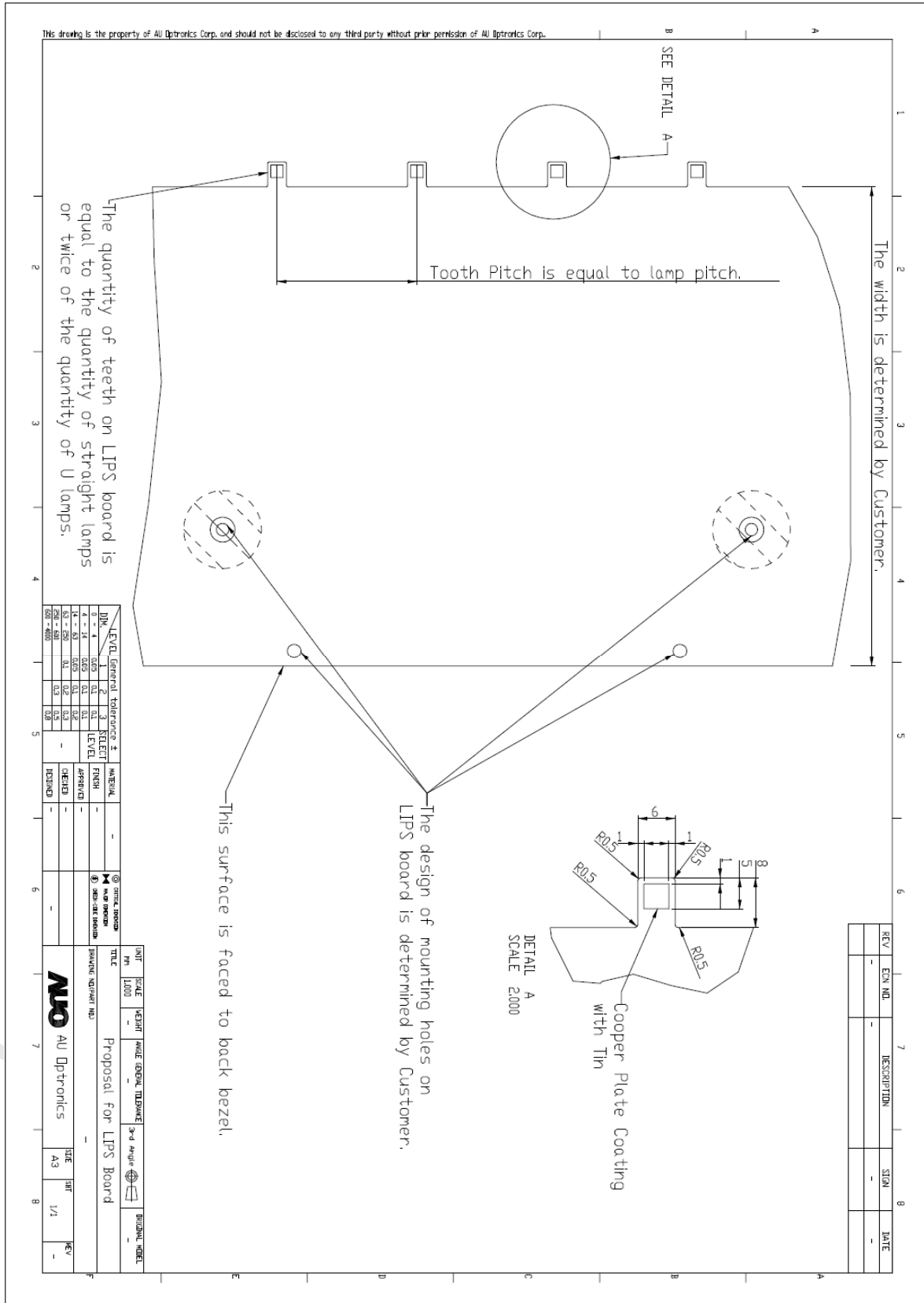
A+ : Plus of peak value

A- : Minus of peak value

Arms : Root mean square value

3-7-3 Input Interface for LIPS board

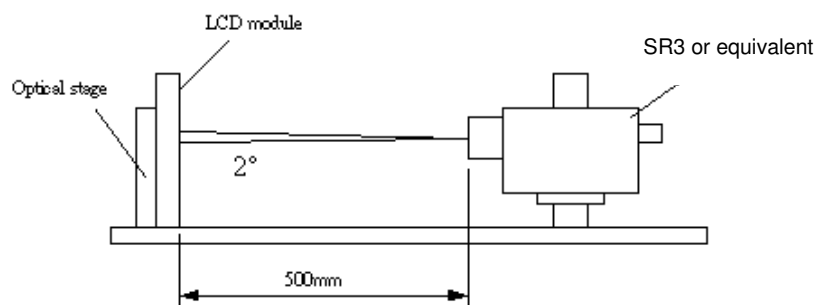
- CN1: EL7H001ZZ2 (Manufactured by JAE)
- Tooth Pin Pitch : 47.5mm
- Tooth Pin Quantity : 8 pcs



4. Optical Specification

Optical characteristics are determined after the unit has been 'ON' and stable for approximately 45 minutes in a dark environment at 25°C. The values specified are at an approximate distance 50cm from the LCD surface at a viewing angle of φ and θ equal to 0°.

Fig.1 presents additional information concerning the measurement equipment and method.



Parameter	Symbol	Values			Unit	Notes	
		Min.	Typ.	Max			
Contrast Ratio	CR	2,400	3,000	--	--	1	
Surface Luminance (White)	L_{WH}	350	420	--	cd/m ²	2	
Luminance Variation	$\delta_{WHITE(\theta P)}$	--	--	1.3	--	3	
Response Time (G to G)	T_Y	--	6.5	--	ms	4	
Color Gamut	NTSC	--	72	--	%	--	
Color Coordinates	Red	R_X	Typ.-0.03	0.64	Typ.+0.03	--	--
		R_Y		0.33		--	--
	Green	G_X		0.29		--	--
		G_Y		0.60		--	--
	Blue	B_X		0.15		--	--
		B_Y		0.06		--	--
	White	W_X		0.280		--	--
		W_Y		0.290		--	--
Viewing Angle	x axis, right($\varphi=0^\circ$)	θ_r	--	89	--	degree	5
	x axis, left($\varphi=180^\circ$)	θ_l	--	89	--	degree	5
	y axis, up($\varphi=90^\circ$)	θ_u	--	89	--	degree	5
	y axis, down ($\varphi=270^\circ$)	θ_d	--	89	--	degree	5

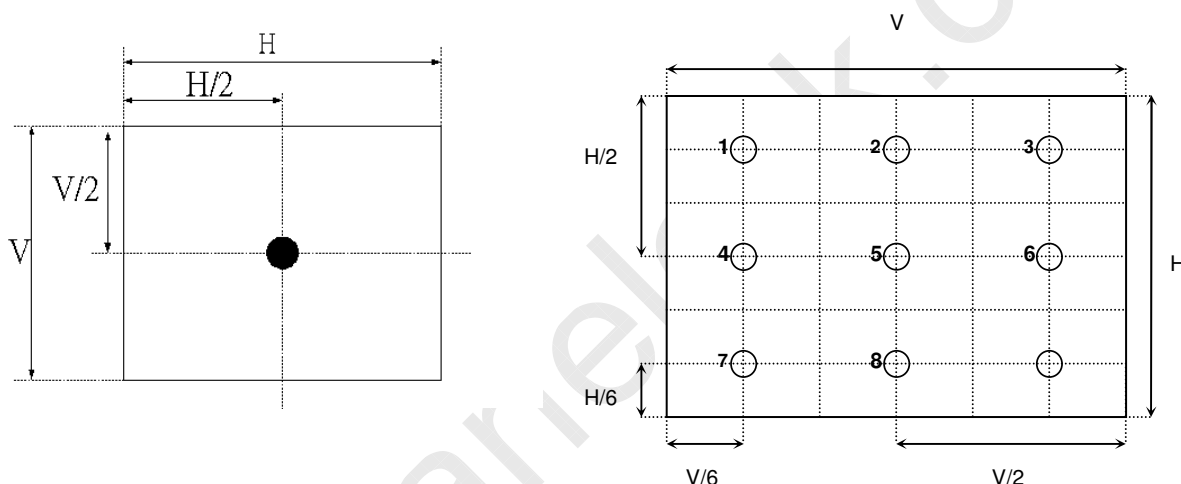
Note:

1. Contrast Ratio (CR) is defined mathematically as:

$$\text{Contrast Ratio} = \frac{\text{Surface Luminance of } L_{on5}}{\text{Surface Luminance of } L_{off5}}$$

2. Surface luminance is luminance value at point 5 across the LCD surface 50cm from the surface with all pixels displaying white. From more information see Fig 2. $L_{WH} = L_{on5}$ where L_{on5} is the luminance with all pixels displaying white at center 5 location.

Fig 2 Luminance



3. The variation in surface luminance, δ_{WHITE} is defined (center of screen) as:

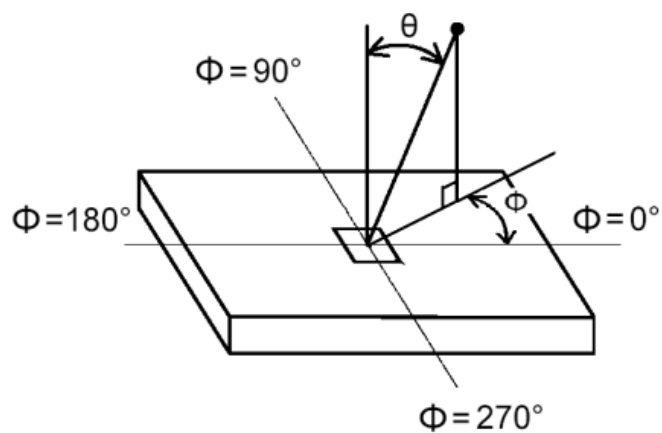
$$\delta_{WHITE(9P)} = \text{Maximum}(L_{on1}, L_{on2}, \dots, L_{on9}) / \text{Minimum}(L_{on1}, L_{on2}, \dots, L_{on9})$$

4. Response time T_{γ} is the average time required for display transition by switching the input signal for five luminance ratio (0%,25%,50%,75%,100% brightness matrix) and is based on $F_v=60\text{Hz}$ to optimize.

Measured Response Time		Target				
		0%	25%	50%	75%	100%
Start	0%		0% to 25%	0% to 50%	0% to 75%	0% to 100%
	25%	25% to 0%		25% to 50%	25% to 75%	25% to 100%
	50%	50% to 0%	50% to 25%		50% to 75%	50% to 100%
	75%	75% to 0%	75% to 25%	75% to 50%		75% to 100%
	100%	100% to 0%	100% to 25%	100% to 50%	100% to 75%	

5. Viewing angle is the angle at which the contrast ratio is greater than 10. The angles are determined for the horizontal or x axis and the vertical or y axis with respect to the z axis which is normal to the LCD surface. For more information see Fig 3.

Fig 3 Viewing Angle



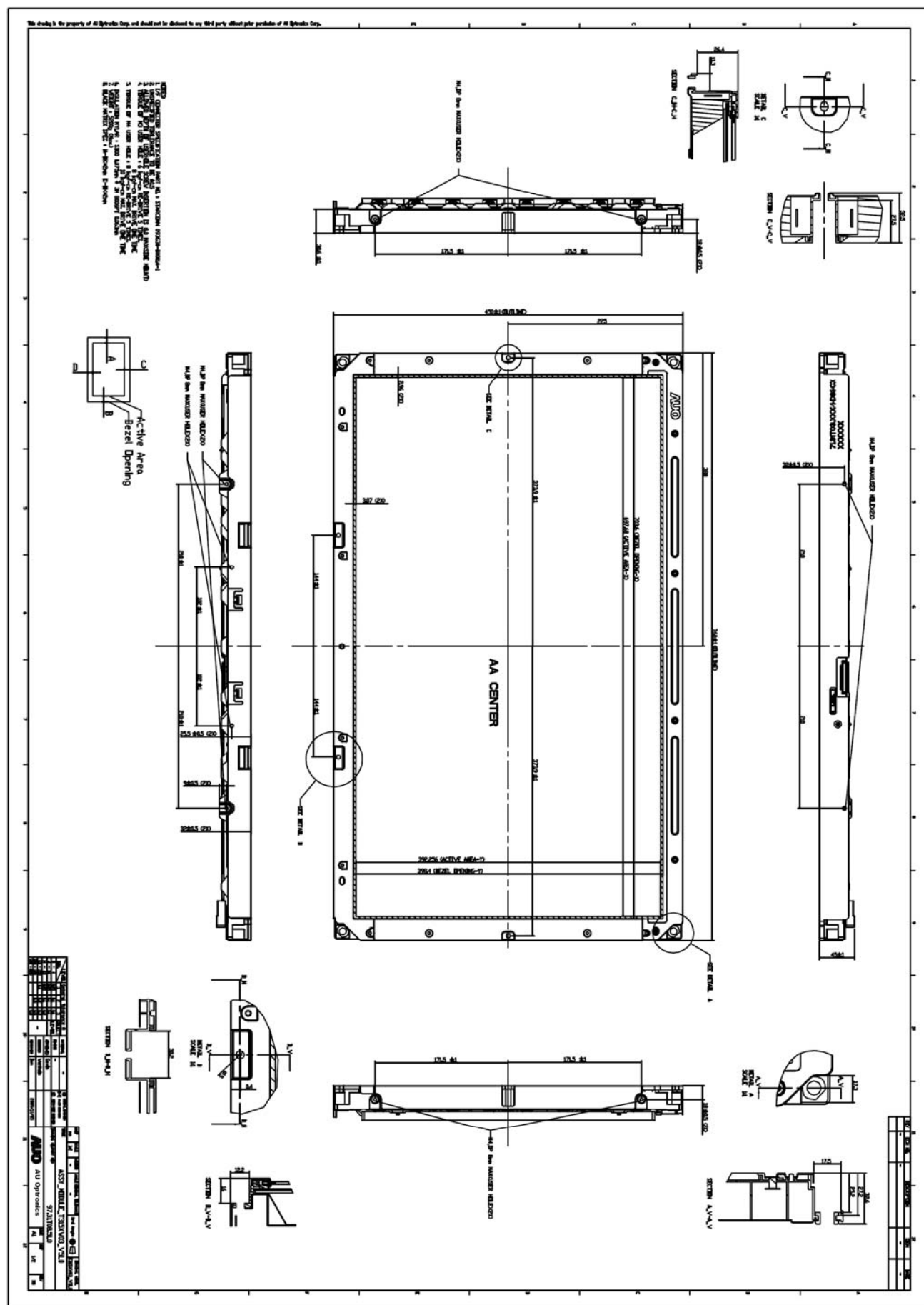
5. Mechanical Characteristics

The contents provide general mechanical characteristics for the model T315XW03 V5. In addition the figures in the next page are detailed mechanical drawing of the LCD.

Outline Dimension	Horizontal	760.0mm
	Vertical	450.0mm
	Depth	45.0mm
Bezel Opening	Horizontal	703.6mm
	Vertical	398.3mm
Active Display Area	Horizontal	697.685mm
	Vertical	392.256mm
Weight	5,000 g (Typ.)	
Surface Treatment	AG, Haze=11%, 3H	

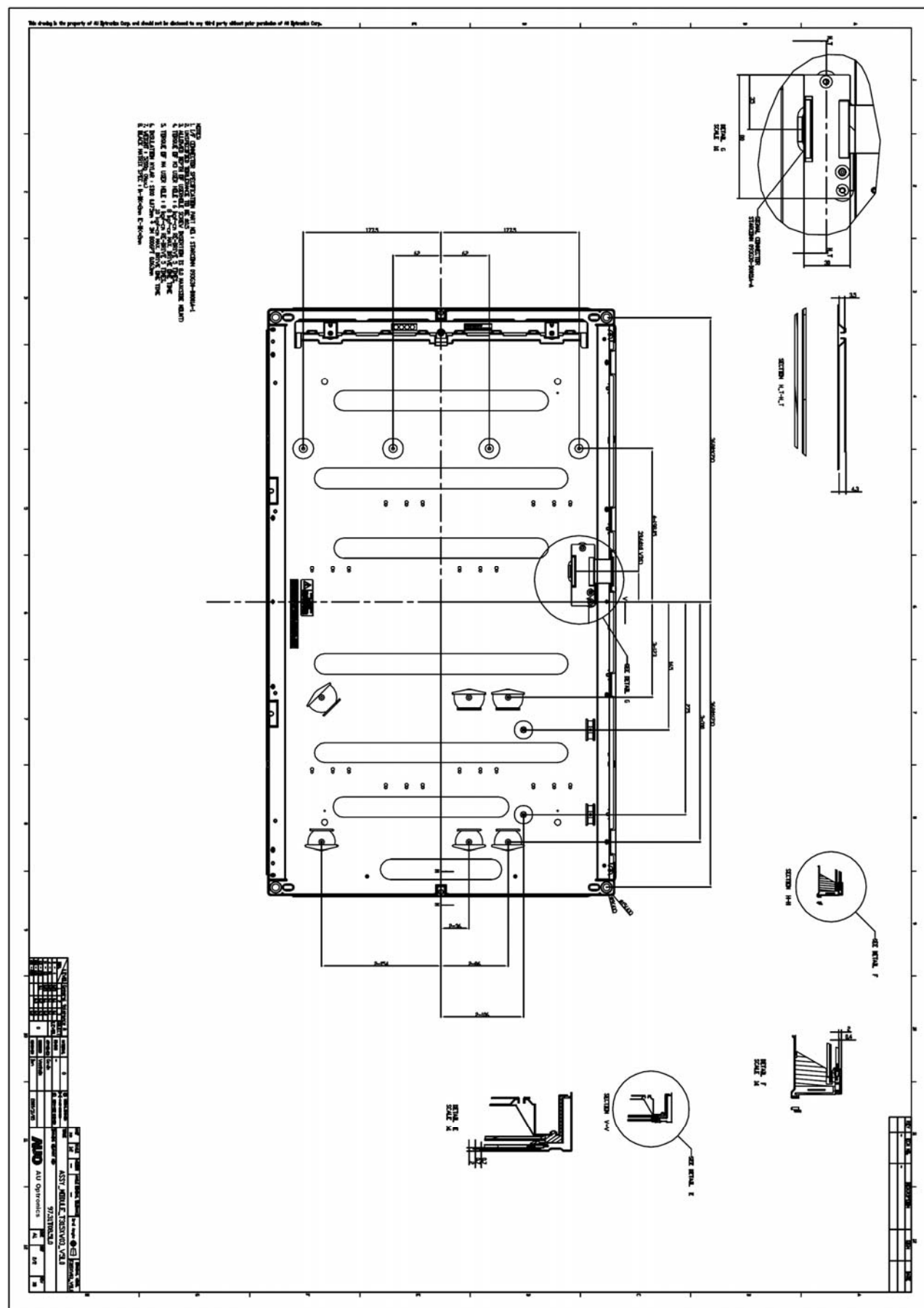


● Front View





● Back View



6. Reliability Test Items

	Test Item	Q'ty	Condition
1	High temperature storage test	3	60°C, 300hrs
2	Low temperature storage test	3	-20°C, 300hrs
3	High temperature operation test	3	50°C, 300hrs
4	Low temperature operation test	3	-5°C, 300hrs
5	Vibration test (non-operation)	3	Wave form : random Vibration level : 1.5G RMS Bandwidth: 10-300Hz Duration: X, Y, Z 30min One time for each direction
6	Shock test (non-operation)	3	Shock level: 50G Waveform: half sine wave, 11ms Direction: ±X, ±Y, ±Z, One time each direction
7	Vibration test (With carton)	4	Random wave (1.5G RMS, 10-200Hz) 30mins/ Per each X,Y,Z axes
8	Drop test (With carton)	4	Height: 45.7 cm 1 corner, 3 edges, 6 surfaces (ASTM-D5276)

7. International Standard

7-1 Safety

- (1) UL 60950-1, UL 60065; Standard for Safety of Information Technology Equipment Including electrical Business Equipment.
- (2) IEC 60950-1 : 2001, IEC 60065:2001 ; Standard for Safety of International Electrotechnical Commission
- (3) EN 60950 : 2001+A11, EN 60065:2002+A1:2006; European Committee for Electrotechnical Standardization (CENELEC), EUROPEAN STANDARD for Safety of Information Technology Equipment Including Electrical Business Equipment.

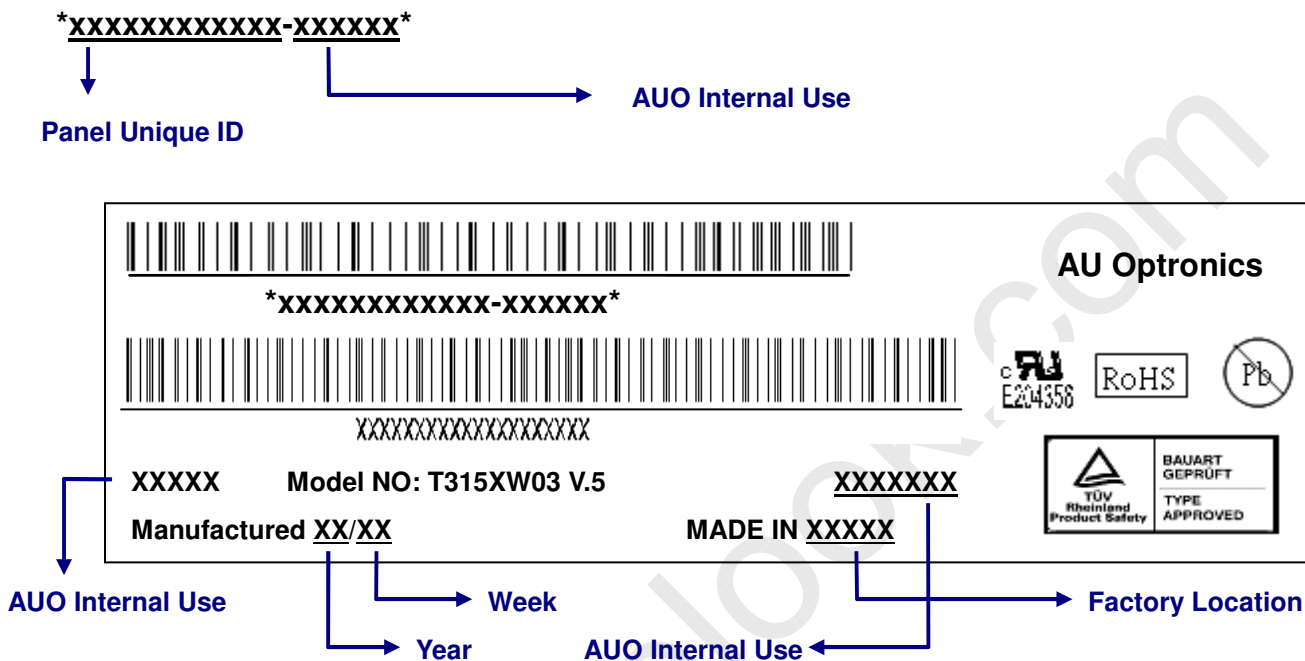
7-2 EMC

- (1) ANSI C63.4 "Methods of Measurement of Radio-Noise Emissions from Low-Voltage Electrical and Electrical Equipment in the Range of 9kHz to 40GHz. "American National standards Institute(ANSI), 1992
- (2) C.I.S.P.R "Limits and Methods of Measurement of Radio Interface Characteristics of Information Technology Equipment." International Special committee on Radio Interference.
- (3) EN 55022 "Limits and Methods of Measurement of Radio Interface Characteristics of Information Technology Equipment." European Committee for Electrotechnical Standardization. (CENELEC), 1998

8. Packing

8-1 Definition of Label

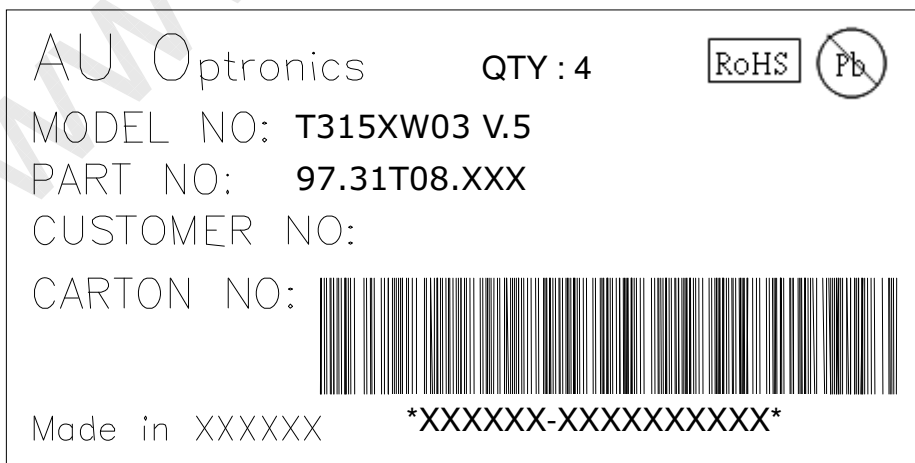
- Panel Label



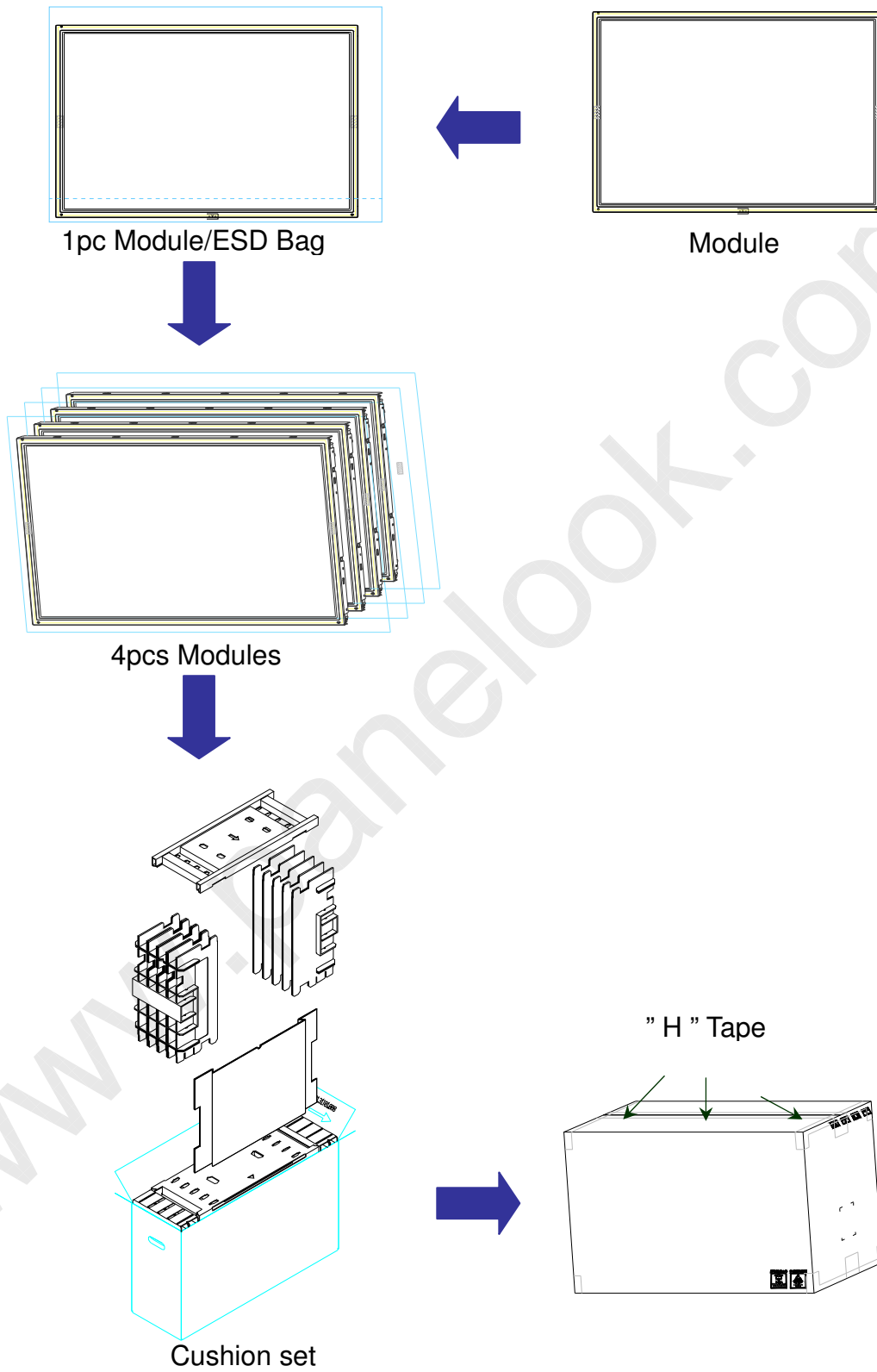
Green mark description

- (1) For Pb Free Product, AUO will add for identification.
 - (2) For RoHs compatible products, AUO will add for identification.
- Note: The green Mark will be present only when the green documents have been ready by AUO internal green team. (definition of green design follows the AUO green design checklist.)

- Carton Label

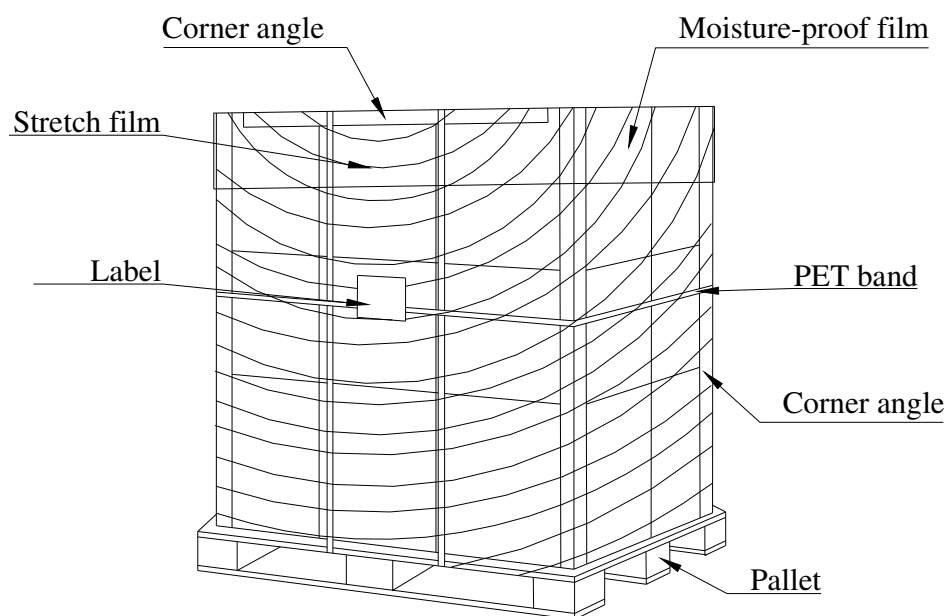


8-2 Packing Method



8-3 Pallet and Shipment Information

	Item	Specification			Packing Remark
		Qty.	Dimension	Weight (kg)	
1	Packing Box	4pcs/box	832(L)mm*283(W)mm*545(H)mm	24.8	
2	Pallet	1	1150(L)mm*840(W)mm*132(H)mm	13	
3	Boxes per Pallet	8 boxes/Pallet			
4	Panels per Pallet	32pcs/pallet			
5	Pallet after packing	N/A	1150(L)mm*840(W)mm*1222(H)mm	211.4	



9. Precautions

Please pay attention to the followings when you use this TFT LCD module.

9-1 Mounting Precautions

- (1) You must mount a module using holes arranged in four corners or four sides.
- (2) You should consider the mounting structure so that uneven force (ex. twisted stress) is not applied to module. And the case on which a module is mounted should have sufficient strength so that external force is not transmitted directly to the module.
- (3) Please attach the surface transparent protective plate to the surface in order to protect the polarizer. Transparent protective plate should have sufficient strength in order to resist external force.
- (4) You should adopt radiation structure to satisfy the temperature specification.
- (5) Acetic acid type and chlorine type materials for the cover case are not desirable because the former generates corrosive gas of attacking the polarizer at high temperature and the latter cause circuit broken by electro-chemical reaction.
- (6) Do not touch, push or rub the exposed polarizer with glass, tweezers or anything harder than HB pencil lead. And please do not rub with dust clothes with chemical treatment. Do not touch the surface of polarizer for bare hand or greasy cloth. (Some cosmetics are detrimental to the polarizer.)
- (7) When the surface becomes dusty, please wipe gently with absorbent cotton or other soft materials like chamois soaks with petroleum benzene. Normal-hexane is recommended for cleaning the adhesives used to attach front/ rear polarizer. Do not use acetone, toluene and alcohol because they cause chemical damage to the polarizer.
- (8) Wipe off saliva or water drops as soon as possible. Their long time contact with polarizer causes deformations and color fading.
- (9) Do not open the case because inside circuits do not have sufficient strength.

9-2 Operation Precautions

- (1) The device listed in the product specification sheets was designed and manufactured for TV application
- (2) The spike noise causes the mis-operation of circuits. It should be lower than following voltage:
 $V = \pm 200\text{mV}$ (Over and under shoot voltage)
- (3) Response time depends on the temperature. (In lower temperature, it becomes longer..)
- (4) Brightness of CCFL depends on the temperature. (In lower temperature, it becomes lower.) And in lower temperature, response time (required time that brightness is stable after turned on) becomes longer.
- (5) Be careful for condensation at sudden temperature change. Condensation makes damage to polarizer or electrical contacted parts. And after fading condensation, smear or spot will occur.
- (6) When fixed patterns are displayed for a long time, remnant image is likely to occur.
- (7) Module has high frequency circuits. Sufficient suppression to the electromagnetic interference shall be done by system manufacturers. Grounding and shielding methods may be important to minimize the interface.

9-3 Electrostatic Discharge Control

Since a module is composed of electronic circuits, it is not strong to electrostatic discharge. Make certain that treatment persons are connected to ground through wristband etc. And don't touch interface pin directly.

9-4 Precautions for Strong Light Exposure

Strong light exposure causes degradation of polarizer and color filter.

9-5 Storage

When storing modules as spares for a long time, the following precautions are necessary.

- (1) Store them in a dark place. Do not expose the module to sunlight or fluorescent light. Keep the temperature between 5°C and 35°C at normal humidity.
- (2) The polarizer surface should not come in contact with any other object. It is recommended that they be stored in the container in which they were shipped.

9-6 Handling Precautions for Protection Film

- (1) The protection film is attached to the bezel with a small masking tape. When the protection film is peeled off, static electricity is generated between the film and polarizer. This should be peeled off slowly and carefully by people who are electrically grounded and with well ion-blown equipment or in such a condition, etc.
- (2) When the module with protection film attached is stored for a long time, sometimes there remains a very small amount of glue still on the bezel after the protection film is peeled off.
- (3) You can remove the glue easily. When the glue remains on the bezel or its vestige is recognized, please wipe them off with absorbent cotton waste or other soft material like chamois soaked with normal-hexane.