

Document Version : 1

Date : 2009/9/16

Product Specifications

37" HDTV Color TFT-LCD Module
Model Name: T370HW03. V7

() Preliminary Specifications
(* Final Specifications

Contents

No	
	COVER
	CONTENTS
	RECORD OF REVISIONS
1	GENERAL DESCRIPTION
2	ABSOLUTE MAXIMUM RATINGS
3	ELECTRICAL SPECIFICATIONS
3-1	ELECTRICAL CHARACTERISTICS
3-2	INTERFACE CONNECTIONS
3-3	SIGNAL TIMING SPECIFICATIONS
3-4	SIGNAL TIMING WAVEFORMS
3-5	COLOR INPUT DATA REFERENCE
3-6	POWER SEQUENCE
3-7	Backlight Unit Specification
4	OPTICAL SPECIFICATIONS
5	MECHANICAL CHARACTERISTICS
6	RELIABILITY
7	INTERNATIONAL STANDARDS
8	PACKING
9	PRECAUTIONS

1. General Description

This specification applies to the 37.0 inch Color TFT-LCD Module T370HW03 V7. This LCD module has a TFT active matrix type liquid crystal panel 1920*1080 pixels, and diagonal size of 37.0 inch. This module supports 1920*1080 HDTV mode (Non-interlace). Each pixel is divided into Red, Green and Blue sub-pixels or dots which are arranged in vertical stripes. Gray scale or the brightness of the sub-pixel color is determined with a 8-bit gray scale signal for each dot.

The T370HW03 V7 has been designed to apply the 8-bit 2 channel LVDS interface method. It is intended to support displays where high brightness, wide viewing angle, high color saturation, and high color depth are very important.

The T370HW03 V7 model is RoHS verified which can be distinguished on panel label.

* General Information

Items	Specification	Unit	Note
Active Screen Size	37.01	inch	
Display Area	819.36 (H) x 460.89(V)	mm	
Outline Dimension	877(H) x 514.6(V) x 47.6(D)	mm	LIPS type
Driver Element	a-Si TFT active matrix		
Display Colors	8 bit, 16.7M	Colors	
Number of Pixels	1920 x 1080	Pixel	
Pixel Pitch	0.42675(H) x 0.42675(W)	mm	
Pixel Arrangement	RGB vertical stripe		
Display Operation Mode	Normally Black		
Surface Treatment	Super Clear POL		

2. Absolute Maximum Ratings

The following are maximum values which, if exceeded, may cause permanent damage to the unit.

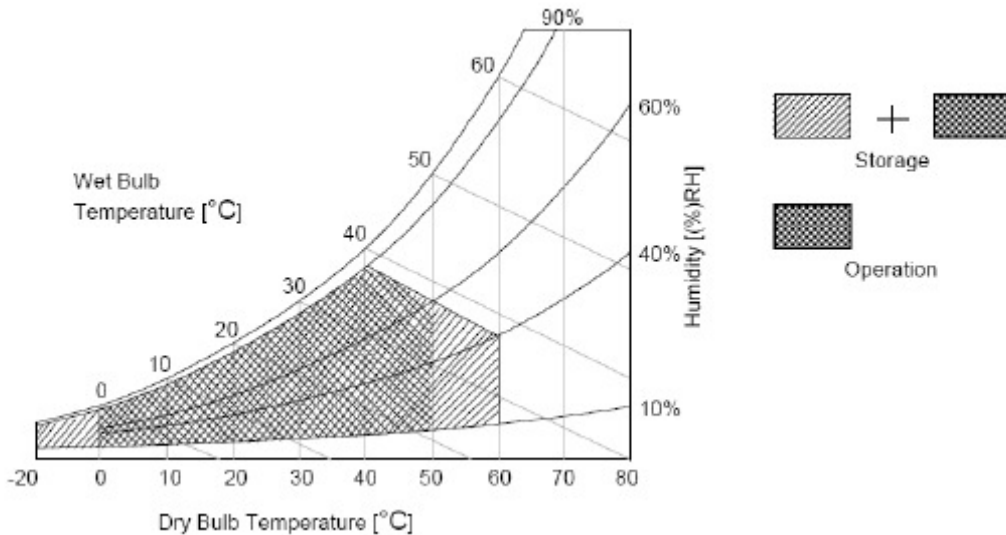
Item	Symbol	Min	Max	Unit	Conditions
Logic/LCD Drive Voltage	Vcc	-0.3	14	[Volt]	Note 1
Input Voltage of Signal	Vin	-0.3	3.6	[Volt]	Note 1
BLU Input Voltage	VDDDB	-0.3	28	[Volt]	Note 1
BLU Brightness Control Voltage	Vdim	-0.3	7.0	[Volt]	Note 1
Operating Temperature	TOP	0	+50	[°C]	Note 2
Operating Humidity	HOP	10	90	[%RH]	Note 2
Storage Temperature	TST	-20	+60	[°C]	Note 2
Storage Humidity	HST	10	90	[%RH]	Note 2
Panel Surface Temperature	PST		65	[°C]	Note 3

Note 1: Duration:50 msec.

Note 2 : Maximum Wet-Bulb should be 39°C and No condensation.

The relative humidity must not exceed 90% non-condensing at temperatures of 40°C or less. At temperatures greater than 40°C, the wet bulb temperature must not exceed 39°C.

Note 3: Surface temperature is measured at 50°C Dry condition



3. Electrical Specification

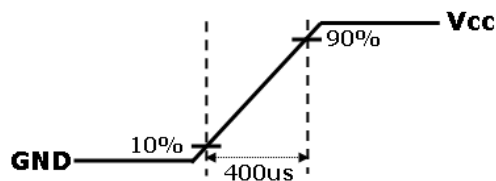
The T370HW03 V7 requires two power inputs. One is employed to power the LCD electronics and to drive the TFT array and liquid crystal. The second input power for the BLU, is to power inverter. (INV)

3-1 Electrical Characteristics

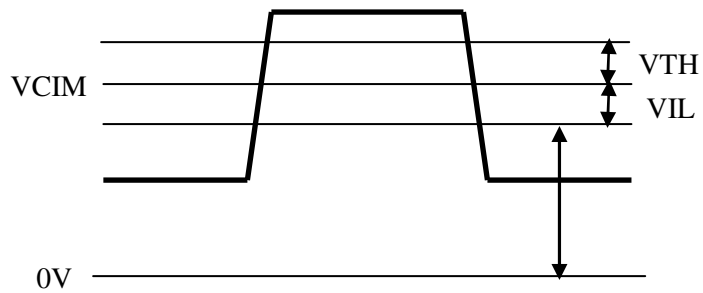
Parameter			Values			Unit	Notes
			Min	Typ	Max		
LCD:							
Power Supply Input Voltage		Vcc	10.8	12	13.2	Vdc	1
Power Supply Input Current		Icc	-	1	1.2	A	2
Power Consumption		Pc	-	12	14.4	Watt	2
Inrush Current		IRUSH	-	-	4	Apeak	3
LVDS Interface	Differential Input High Threshold Voltage	VTH			100	mV	4
	Differential Input Low Threshold Voltage	VTL	-100			mV	4
	Common Input Voltage	VCIM	1.10	1.25	1.40	V	4
CMOS Interface	Input High Threshold Voltage	VIH (High)	2.4		3.3	Vdc	
	Input Low Threshold Voltage	VIL (Low)	0		0.9	Vdc	
Life Time			50,000			Hours	

Note :

1. The ripple voltage should be controlled under 10% of V_{CC}
2. V_{CC}=12.0V, $f_v = 60\text{Hz}$, fCLK=81.5Mhz , 25°C, Test Pattern : White Pattern
3. Measurement condition :



4. VCIM = 1.2V



5. The performance of the Lamp in LCD panel, for example life time or brightness, is extremely influenced by the characteristics of the DC-AC Inverter. So all the parameters of an inverter should be carefully designed as not to produce too much leakage current from high-voltage output of the inverter. When you design or order the inverter, please make sure unwanted lighting caused by the mismatch of the lamp and the inverter (no lighting, flicker, etc) never occurs. After confirmation, the LCD panel should be operated in the same condition as installed in your instrument.
6. Do not attach a conducting tape to lamp connecting wire. If the lamp wire attach to conducting tape, TFT-LCD Module have a low luminance and the inverter has abnormal action because leakage current occurs between lamp wire and conducting tape.
7. The relative humidity must not exceed 80% non-condensing at temperatures of 40°C or less. At temperatures greater than 40°C, the wet bulb temperature must not exceed 39°C. When operate at low temperatures, the brightness of CCFL will drop and the life time of CCFL will be reduced.

3-2 Interface Connections

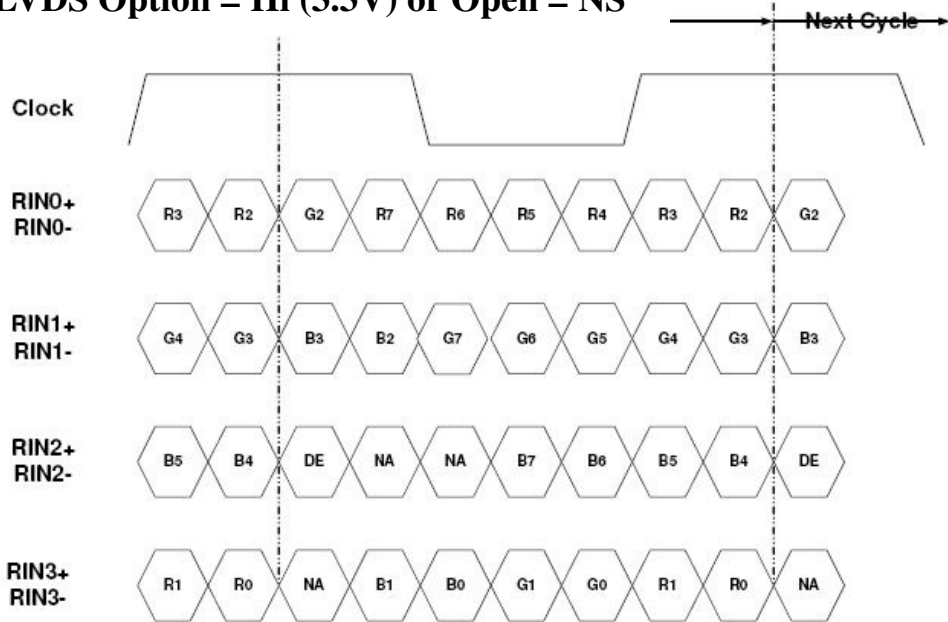
LCD connector (CN3): JAE FI-RE51S-HF

Pin No	Symbol	Description	Note
1	V _{DD}	Operating Voltage Supply, +12V DC Regulated	Power
2	V _{DD}	Operating Voltage Supply, +12V DC Regulated	
3	V _{DD}	Operating Voltage Supply, +12V DC Regulated	
4	V _{DD}	Operating Voltage Supply, +12V DC Regulated	
5	V _{DD}	Operating Voltage Supply, +12V DC Regulated	
6	GND	Ground	
7	GND	Ground	
8	GND	Ground	
9	GND	Ground	
10	RO_0-	LVDS Channel Odd, Signal 0-	LVDS Channel Odd
11	RO_0+	LVDS Channel Odd, Signal 0+	
12	RO_1-	LVDS Channel Odd, Signal 1-	
13	RO_1+	LVDS Channel Odd, Signal 1+	
14	RO_2-	LVDS Channel Odd, Signal 2-	
15	RO_2+	LVDS Channel Odd, Signal 2+	
16	GND	Ground	
17	RO_CLK-	LVDS Channel Odd, Clock -	
18	RO_CLK+	LVDS Channel Odd, Clock +	
19	GND	Ground	
20	RO_3-	LVDS Channel Odd, Signal 3-	
21	RO_3+	LVDS Channel Odd, Signal 3+	
22	NC	No Connect (AUO Internal Use Only)	
23	NC	No Connect (AUO Internal Use Only)	
24	GND	Ground	
25	RE_0-	LVDS Channel Even, Signal 0-	LVDS Channel Even
26	RE_0+	LVDS Channel Even, Signal 0+	
27	RE_1-	LVDS Channel Even, Signal 1-	
28	RE_1+	LVDS Channel Even, Signal 1+	
29	RE_2-	LVDS Channel Even, Signal 2-	
30	RE_2+	LVDS Channel Even, Signal 2+	
31	GND	Ground	
32	RE_CLK-	LVDS Channel Even, Clock -	
33	RE_CLK+	LVDS Channel Even, Clock +	
34	GND	Ground	
35	RE_3-	LVDS Channel Even, Signal 3-	
36	RE_3+	LVDS Channel Even, Signal 3+	
37	NC	No Connect (AUO Internal Use Only)	
38	NC	No Connect (AUO Internal Use Only)	
39	GND	Ground	
40	SCL	EEPROM Serial Clock	
41	NC	No Connect (AUO Internal Use Only)	
42	NC	No Connect (AUO Internal Use Only)	
43	WP	EEPROM Write Protection High(3.3V) for Writable, Low(GND) for Protection	Default: Protection
44	SDA	EEPROM Serial Data	
45	LVDS_SEL	Open/High(3.3V) for NS, Low(GND) for JEIDA	Default: NS
46	NC	No Connect (AUO Internal Use Only)	
47	NC	No Connect (AUO Internal Use Only)	
48	NC	No Connect (AUO Internal Use Only)	
49	NC	No Connect (AUO Internal Use Only)	
50	NC	No Connect (AUO Internal Use Only)	
51	AGING	No Connect (AUO Aging Only)	

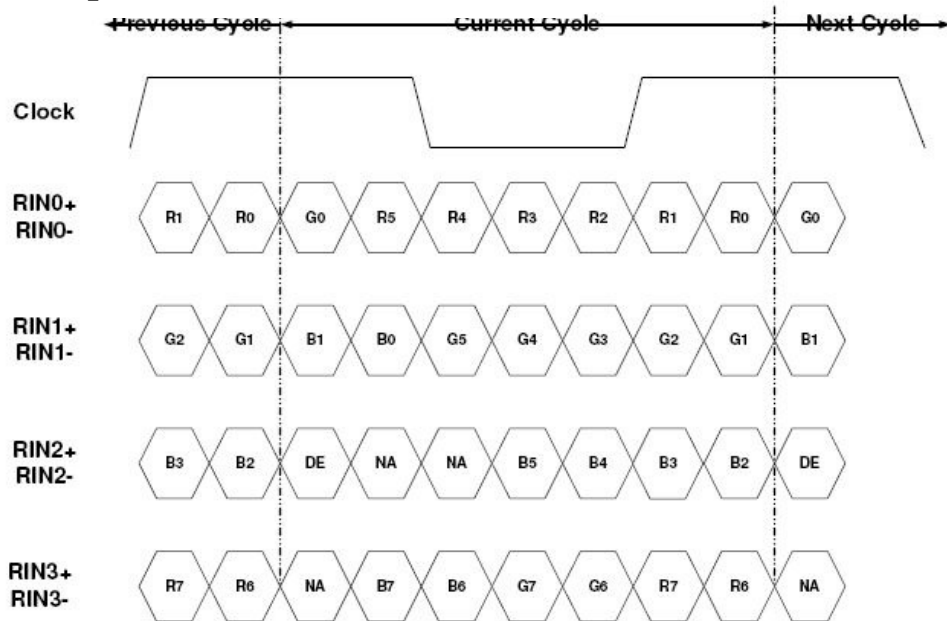
Note:

1. All GND (ground) pins should be connected together and should also be connected to the LCD's metal frame. All Vcc (power input) pins should be connected together.
2. For Pin 10, 27 and 28, panel will not damage if negligently connect these pins to high or low

LVDS Option = Hi (3.3V) or Open = NS



LVDS Option = Lo (GND) = JEIDA



3-3 Signal Timing Specifications

This is the signal timing required at the input of the User connector. All of the interface signal timing should be satisfied with the following specifications for its proper operation.

* Timing Table
 DE only Mode

Signal	Item	Symbol	Min.	Typ.	Max	Unit
Vertical Section	Period	Tv	1090	1125	1480	Th
	Active	Tdisp (v)	1080			Th
	Blanking	Tblk (v)	10	45	400	Th
Horizontal Section	Period	Th	1030	1100	1325	Tclk
	Active	Tdisp (h)	960			Tclk
	Blanking	Tblk (h)	70	140	365	Tclk
Clock	Frequency	Fclk=1/Tclk	50	74.25	82	MHz
Vertical Frequency	Frequency	Fv	47	60	63	Hz
Horizontal Frequency	Frequency	Fh	60	67.5	73	KHz

Notes:

1.) Display position is specific by the rise of DE signal only.

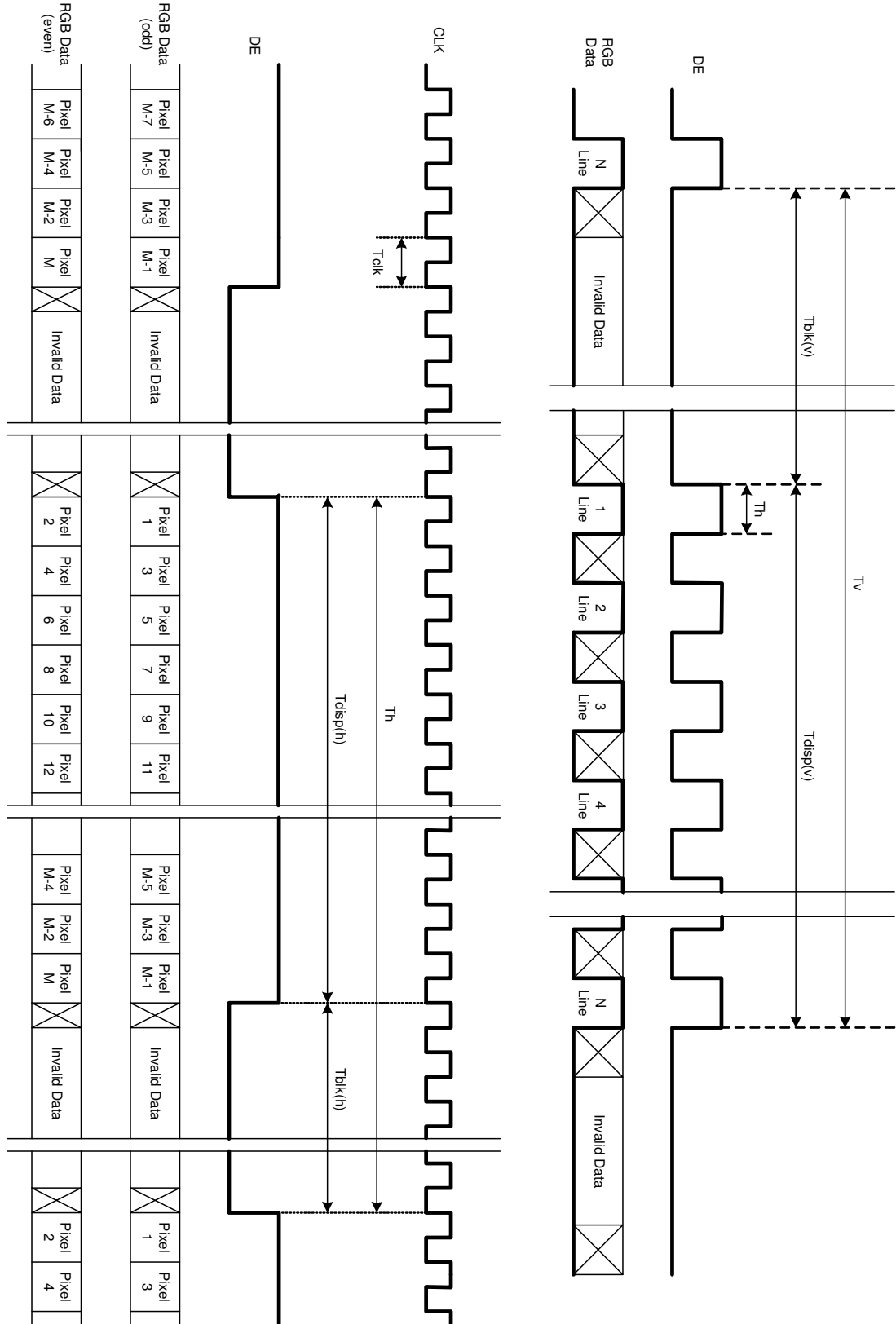
Horizontal display position is specified by the rising edge of 1st DCLK after the rise of 1st DE, is displayed on the left edge of the screen.

Vertical display position is specified by the rise of DE after a "Low" level period equivalent to eight times of horizontal period. The 1st data corresponding to one horizontal line after the rise the of 1st DE is displayed at the top line of screen.

3.) If a period of DEB "High" is less than 1920 DCLK or less than 1080 lines, the rest of the screen displays black.

4.) The display position does not fit to the screen if a period of DE "High" and the effective data period do not synchronize with each other.

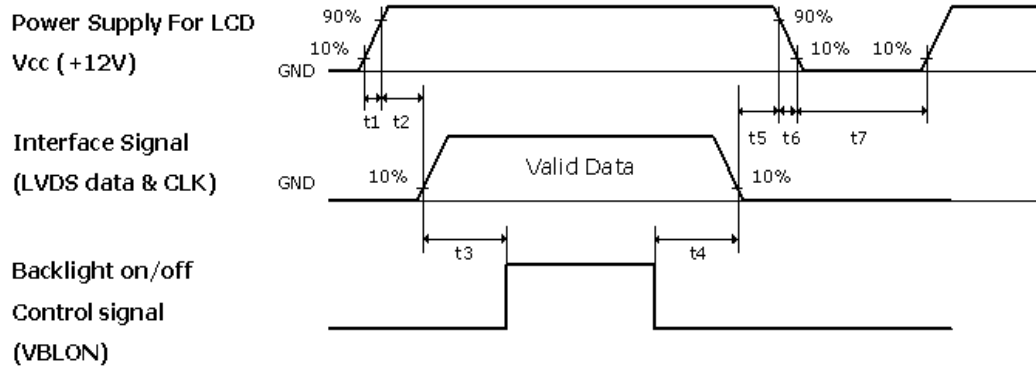
3-4 Signal Timing Waveforms





3-6 Power Sequence for LCD Module

3.6.1 Power Sequence for LCD



Parameter	Value			Units
	Min.	Typ.	Max.	
T1	0.4	---	30	ms
T2	0.1	---	50	ms
T3	300	---	---	ms
T4	10	---	---	ms
T5	0.1	---	50	ms
T6	---	---	300	ms
T7	500	---	---	ms

Note:

The timing controller will not be damaged in case of TV set AC input power suddenly shut down.

Once power reset, it should follow power sequence as spec. definition.

- (1) Apply the lamp voltage within the LCD operation range. When the back-light turns on before the LCD operation or the LCD turns off before the back-light turns off, the display may momentarily become abnormal screen.



3-7 Backlight Unit Specification

3.7.1 Electrical specification

	Description		Min	Typ	Max	Unit	Condition/Note	
1	Operating Voltage	Vo	810	900	990	Vrms	1. Dimming range is set 100% 2. Base on lamp specification, for each lamp need to be applied at least minimum operating voltage to ensure each lamp can be normally worked!	
2	Operating Current	Io	12	12.5	13	mArms	1. Dimming range is set 100% 2. Base on lamp specification, for each lamp need to be applied at least minimum operating current to ensure each lamp can be normally worked!	
3	BL Total Power Dissipation	PBL	105	110	115	Watt	1. Dimming range is set 100%. 2. In order to get typical light out, the backlight need to be applied typical power. 3. Input power of JIG BD is about <u>110 W (typ)</u> by AUO measure!	
4	Striking Voltage	At 0°C	Vstrike	1480	1630	-	Vrms	1. Base on lamp specification, to ensure each lamp can be normally ignited, need to apply at least minimum striking voltage to each lamp
		At 25°C		1230	1380	-		
5	Striking Time	Ts	1000	-	1500	msec	1. To ensure each lamp can be normally ignited, each lamp need to be applied at least minimum striking voltage during minimum striking time.	
6	Operating Frequency	fo	42	44	45	KHz	1. Operating frequency is set by customer. 2. Need to double confirm display quality.(*)	
7	PWM Operating Frequency	F_PWM	140	180	240	Hz	1. PWM frequency is set by customer. 2. Need to double confirm display quality.(*)	
8	PWM Dimming Duty Ratio	D_PWM	20	-	100	%	Note 1. Dimming range Note 2. Note 3. Duty ratio definition.	
9	Lamp Type	Straight type						
10	Number of Lamps	10		pcs				

(Ta=25±5°C , Turn on for 45minutes)

(*) The operating frequency of lamp may produce interference with horizontal frequency from display, and may cause line noise on the display. In order to avoid interference, the operating frequency should be separated from horizontal frequency.

Note 1:

Dimming range



PWM Dimming : include Internal and External PWM Dimming

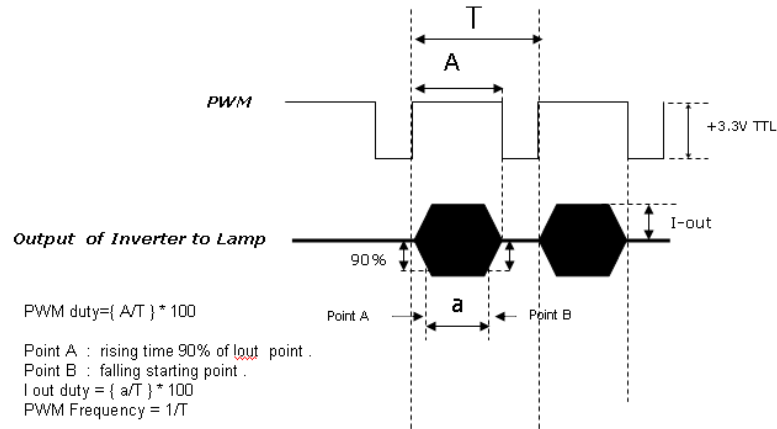


Note 2:

When PWM dimming ration is operated less than recommend value, backlight need to be double confirmed display quality. LIPS need to be double confirmed feedback signal and all protection function!

Note 3:

Duty ratio definition.



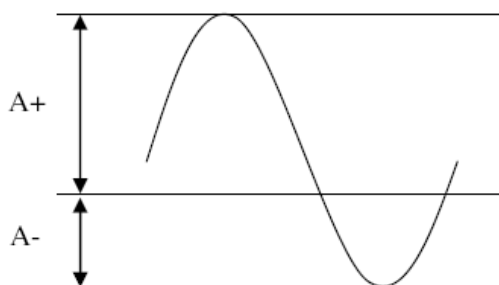
3.7.2 Lamp specification

	Description		Min	Typ	Max	Unit	Note
1	Lamp voltage	Vlamp	810	900	990	Vrms	At lamp=12.5mA
2	Lamp current	Ilamp	12.0	12.5	13.0	mArms	
3	Lamp frequency	flamp	40	-	80	kHz	
4	Striking voltage	At 25°C	-	-	1250	Vrms	
		At 0°C	-	-	1500	Vrms	
5	Delayed discharge time	Tdelay	-	-	1	sec	
6	Life time		50K	-	-	hr	At lamp=12.5mA
7	Unsymmetrical ratio		-	-	10%	-	Note 1.
8	Crest factor (C.F)		$\sqrt{2} - 10\%$	$\sqrt{2}$	$\sqrt{2} + 10\%$	-	

The above characteristics are measured under the conditions:
 Ambient temperature: 25±2°C, Relative Humidity: 65±20%RH.

Note 1:

Please light on the lamp with symmetrical voltage and current waveform (unsymmetrical ratio is less than 10%, crest factor within $\sqrt{2} \pm 10\%$). The inverter output waveform should be better similar to the ideal sine wave.



Unsymmetrical ratio = $| (A+) - (A-) | / Arms * 100\%$

Crest factor = $(A+) / Arms$ or $(A-) / Arms$

A+ : Plus of peak value

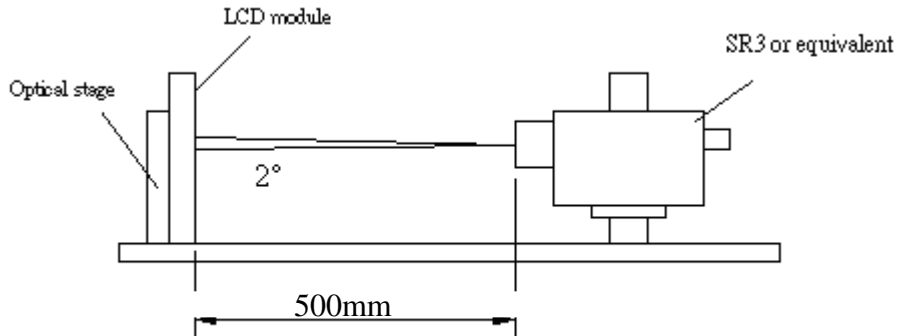
A- : Minus of peak value

Arms : Root mean square value

4. Optical Specification

Optical characteristics are determined after the unit has been 'ON' and stable for approximately 45 minutes in a dark environment at 25°C. The values specified are at an approximate distance 50cm from the LCD surface at a viewing angle of Φ and θ equal to 0°.

Fig.1 presents additional information concerning the measurement equipment and method.



Parameter	Symbol	Values			Units	Notes
		Min.	Typ.	Max.		
Contrast Ratio	CR	4000	5000			1
Surface Luminance, white	LWH	425	500		cd/m ²	2
Luminance Variation	δ_{WHITE} 9 p			1.30		3
Response time G to G	T γ		6.5		ms	4
Color Gamut	NTSC		72		%	
Color Coordinates						
	RED	R _X	0.64			
		R _Y	0.33			
	GREEN	G _X	0.29			
		G _Y	0.60			
	BLUE	B _X	0.15			
		B _Y	0.06			
	WHITE	W _X	0.28			
		W _Y	0.29			
Viewing Angle						
	x axis, right($\phi=0^\circ$)	θ_r	89		degree	5
	x axis, left($\phi=180^\circ$)	θ_l	89			
	y axis, up($\phi=90^\circ$)	θ_u	89			
	y axis, down ($\phi=0^\circ$)	θ_d	89			



Note:

1. Contrast Ratio (CR) is defined mathematically as:

$$\text{Contrast Ratio} = \frac{\text{Surface Luminance of } L_{\text{on}5}}{\text{Surface Luminance of } L_{\text{off}5}}$$

2. Surface luminance is luminance value at point 5 across the LCD surface 50cm from the surface with all pixels displaying white.
3. The variation in surface luminance, δ_{WHITE} is defined (center of Screen) as:

$$\delta_{\text{WHITE}(9P)} = \frac{\text{Maximum}(L_{\text{on}1}, L_{\text{on}2}, \dots, L_{\text{on}9})}{\text{Minimum}(L_{\text{on}1}, L_{\text{on}2}, \dots, L_{\text{on}9})}$$

The measurement data is base on AUO jig board test.

4. Response time T_{γ} is the average time required for display transition by switching the input signal for five luminance ratio (0%,25%,50%,75%,100% brightness matrix) and is based on $f_v=60\text{Hz}$ to optimize.

	0%	25%	50%	75%	100%
0%		t:0%-25%	t:0%-50%	t:0%-75%	t:0%-100%
25%	t:25%-0%		t:25%-50%	t:25%-75%	t:25%-100%
50%	t:50%-0%	t:50%-25%		t:50%-75%	t:50%-100%
75%	t:75%-0%	t:75%-25%	t:75%-50%		t:50%-100%
100%	t:100%-0%	t:100%-25%	t:100%-50%	t:100%-75%	

5. Viewing angle is the angle at which the contrast ratio is greater than 10. The angles are determined for the horizontal or x axis and the vertical or y axis with respect to the z axis which is normal to the LCD surface. For more information see FIG3.

FIG.2 Measured points define

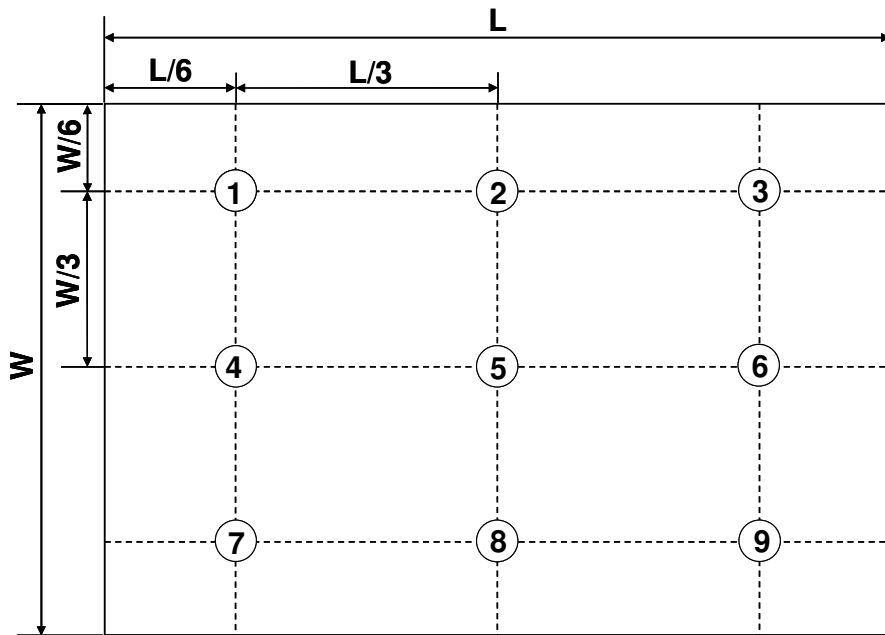
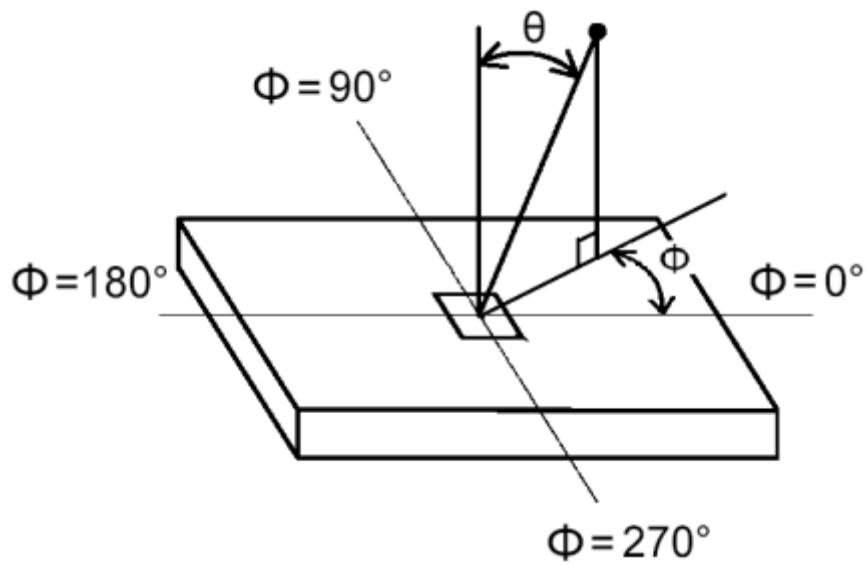


FIG.3 Viewing angle





5. Mechanical Characteristics

The contents provide general mechanical characteristics for the model T370HW03 V7. In addition the figures in the next page are detailed mechanical drawing of the LCD.

Outline Dimension	Horizontal	877.0 mm
	Vertical	514.6mm
	Depth	47.6 mm(without inverter)
Bezel Opening	Horizontal	827.8 mm
	Vertical	469.4 mm
Active Display Area	Horizontal	819.36 mm
	Vertical	460.89 mm
Weight	8200g (Typ.)	



6. Reliability:

Environment test condition

	Test Items	Q'ty	Conditions
1	High Temperature Stroage	3	60°C 300 hrs
2	Low Temperature Stroage	3	-20°C, 300 hrs
3	High Temperature Operation	3	50°C, 300 hrs
4	Low Temperature Operation	3	-5°C, 300 hrs
5	Vibration (non-operation)	3	(10 ~ 300Hz/1.5G/11min SR, XYZ 30min/axis) Vibration level : 1.5G RMS, Bandwidth : 10-300Hz Duration: X, Y, Z 30min,
6	Shock (non-operation)	3	Shock level: 50G Waveform: have sine wave, 11ms Direction: ±X,±Y, ±Z One time each direction
7	Vibration (With carton)	3	Random wave (1.5 Grms 10~200Hz) 30mins / Per each X.Y.Z axes
8	Drop (With carton)	3	Height: 38cm 1 corner, 3 edges, 6 surfaces (ASTMD4169-I)



7. International Standard

7-1. Safety

(1) UL1950 Third Edition, Underwriters Laboratories, Inc. Jan. 28, 1995

Standard for Safety of Information Technology Equipment Including electrical Business Equipment.

(2) CAN/CSA C22.2 No. 950-95/60950 Third Edition, Canadian Standards Association,

Standard for Safety of Information Technology Equipment Including Electrical Business Equipment.

(3) EN60950 : 1992+A2: 1993+A2: 1993+C3: 1995+A4: 1997+A11: 1997

IEC 950: 1991+A1: 1992+A2: 1993+C3: 1995+A4:1996

European Committee for Electrotechnical Standardization (CENELEC)

EUROPEAN STANDARD for Safety of Information Technology Equipment Including Electrical Business Equipment.

7-2. EMC

a) ANSI C63.4 “Methods of Measurement of Radio-Noise Emissions from Low-Voltage Electrical and Electrical Equipment in the Range of 9kHz to 40GHz. “American National standards Institute(ANSI), 1992

b) C.I.S.P.R “Limits and Methods of Measurement of Radio Interface Characteristics of Information Technology Equipment.” International Special committee on Radio Interference.

c) EN 55022 “Limits and Methods of Measurement of Radio Interface Characteristics of Information Technology Equipment.” European Committee for Electrotechnical Standardization. (CENELEC), 1998

8. Packing

Panel label:



TW8800900028-ZM0200

TW88009: T: Taiwan, A/B: China

00028: Panel Serial Number

ZM0: AUO internal code

Manufactured 08/36: 2008 week 36

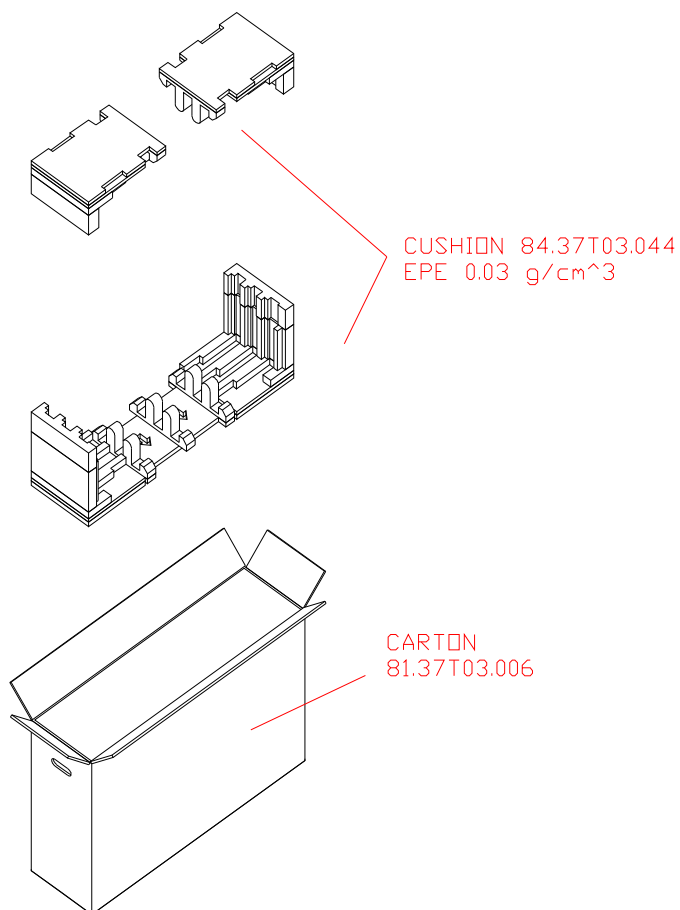
Made In Taiwan: Taiwan made

Carton Label:



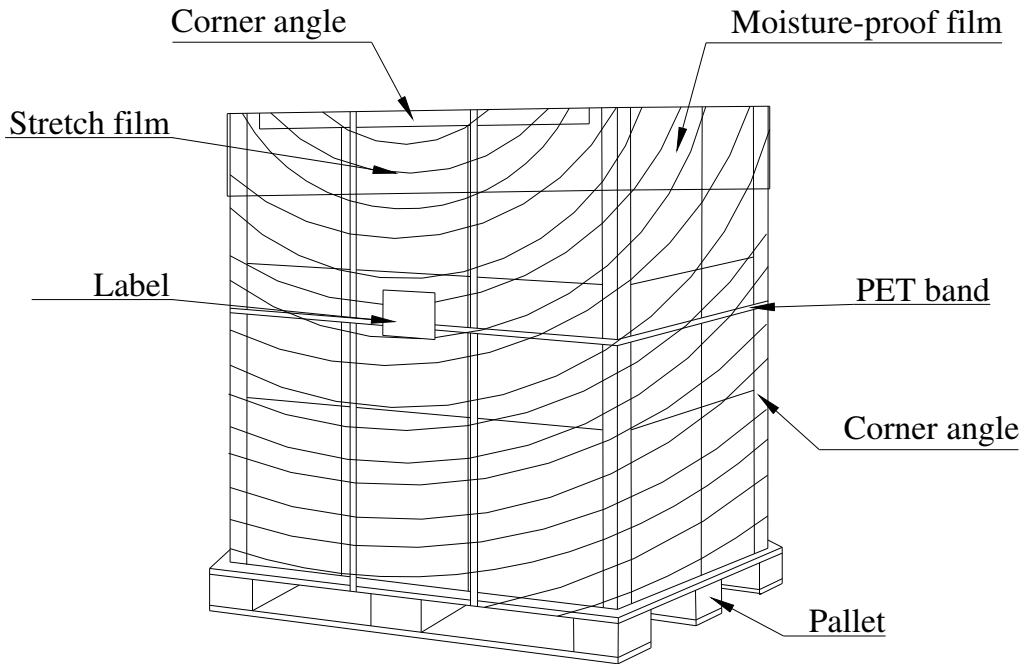


Carton:



Pallet and Shipment information

	Item	Specification			Packing
		Qty.	Dimension	Weight (kg)	Remark
1	Packing BOX	3 pcs/box	965(L)mm*280(W)mm*610(H)mm	30	
2	Pallet	1	1140(L)mm*980(W)mm*140(H)mm	15	
3	Boxes per Pallet	8 boxes/Pallet (By Air) ; 12 Boxes/Pallet (By Sea)			
4	Panels per Pallet	24pcs/pallet(By Air) ; 36 Boxes/Pallet (By Sea)			
	Pallet after packing	24 (by Air)	1140(L)mm*980(W)mm*1360(H)mm (by Air)	257 (by Air)	
		36(by Sea)	1140(L)mm*980(W)mm*2110(H)mm (by Sea)	393 (by Sea)	



9. PRECAUTIONS

Please pay attention to the followings when you use this TFT LCD module.

9-1 MOUNTING PRECAUTIONS

- (1) You must mount a module using holes arranged in four corners or four sides.
- (2) You should consider the mounting structure so that uneven force (ex. Twisted stress) is not applied to module. And the case on which a module is mounted should have sufficient strength so that external force is not transmitted directly to the module.
- (3) Please attach the surface transparent protective plate to the surface in order to protect the polarizer. Transparent protective plate should have sufficient strength in order to resist external force.
- (4) You should adopt radiation structure to satisfy the temperature specification.
- (5) Acetic acid type and chlorine type materials for the cover case are not desirable because the former generates corrosive gas of attacking the polarizer at high temperature and the latter causes circuit break by electro-chemical reaction.
- (6) Do not touch, push or rub the exposed polarizers with glass, tweezers or anything harder than HB pencil lead. And please do not rub with dust clothes with chemical treatment. Do not touch the surface of polarizer for bare hand or greasy cloth. (Some cosmetics are detrimental to the polarizer.)
- (7) When the surface becomes dusty, please wipe gently with absorbent cotton or other soft materials like chamois soaks with petroleum benzene. Normal-hexane is recommended for cleaning the adhesives used to attach front/ rear polarizers. Do not use acetone, toluene and alcohol because they cause chemical damage to the polarizer.
- (8) Wipe off saliva or water drops as soon as possible. Their long time contact with polarizer causes deformations and color fading.
- (9) Do not open the case because inside circuits do not have sufficient strength.



9-2 OPERATING PRECAUTIONS

- (1) The device listed in the product specification sheets was designed and manufactured for TV application
- (2) The spike noise causes the mis-operation of circuits. It should be lower than following voltage:
V=±200mV(Over and under shoot voltage)
- (3) Response time depends on the temperature. (In lower temperature, it becomes longer.)
- (4) Brightness depends on the temperature. (In lower temperature, it becomes lower.) And in lower temperature, response time (required time that brightness is stable after turned on) becomes longer.
- (5) Be careful for condensation at sudden temperature change. Condensation makes damage to polarizer or electrical contacted parts. And after fading condensation, smear or spot will occur.
- (6) When fixed patterns are displayed for a long time, remnant image is likely to occur.

Module has high frequency circuits. Sufficient suppression to the electromagnetic interference shall be done by system manufacturers. Grounding and shielding methods may be important to minimize the interface.

9-3 ELECTROSTATIC DISCHARGE CONTROL

Since a module is composed of electronic circuits, it is not strong to electrostatic discharge. Make certain that treatment persons are connected to ground through wrist band etc. And don't touch interface pin directly.

9-4 PRECAUTIONS FOR STRONG LIGHT EXPOSURE

Strong light exposure causes degradation of polarizer and color filter.

9-5 STORAGE +

When storing modules as spares for a long time, the following precautions are necessary.

- (1) Store them in a dark place. Do not expose the module to sunlight or fluorescent light. Keep the temperature between 5°C and 35°C at normal humidity.
- (2) The polarizer surface should not come in contact with any other object. It is recommended that they be stored in the container in which they were shipped.

9-6 HANDLING PRECAUTIONS FOR PROTECTION FILM

- (1) The protection film is attached to the bezel with a small masking tape. When the protection film is peeled off, static electricity is generated between the film and polarizer. This should be peeled off slowly and carefully by people who are electrically grounded and with well ion-blown equipment or in such a condition, etc.
- (2) When the module with protection film attached is stored for a long time, sometimes there remains a very small amount of glue still on the Bezel after the protection film is peeled off.
- (3) You can remove the glue easily. When the glue remains on the Bezel or its vestige is recognized, please wipe them off with absorbent cotton waste or other soft material like chamois soaked with normal-hexane.