

Product Description: T460HW02 V4 TFT-LCD PANEL with RoHS guarantee	
AUO Model Name: T460HW02 V401	
Customer Part No. / Project Name: SONY M1-S0	
Customer Signature	AU Optronics Corp.
	Approved by: PM Head / Frank Hsu <i>Ken Ting chin for Frank.</i>
	Reviewed by: RD Head / Hong-Jye Hong <i>Hong Jye Hong 6/27 2008</i>
	Reviewed by: Project Leader / Lamy Chen <i>Lamy Chen 6/27 '08</i>
	Prepared by: PM / Peggy Pei <i>Peggy Pei 6/26 '08</i>
Note	



Document Version: 1.0

Date: 2008/06/25

Product Functional Specification

**46" Full HD Color TFT-LCD Module
Model Name: T460HW02 V401**

**() Preliminary Specification
(*) Final Specification**

Note: This specification is subject to change without notice.



Contents

No	
	CONTENTS
	RECORD OF REVISIONS
1	GENERAL DESCRIPTION
2	ABSOLUTE MAXIMUM RATINGS
3	ELECTRICAL SPECIFICATION
3-1	ELECTRICAL CHARACTERISTICS
3-2	INTERFACE CONNECTOR
3-3	SIGNAL TIMING SPECIFICATION
3-4	SIGNAL TIMING WAVEFORM
3-5	COLOR INPUT DATA REFERENCE
3-6	POWER SEQUENCE
3-7	BACK LIGHT POWER SPECIFICATION
4	OPTICAL SPECIFICATION
5	MECHANICAL CHARACTERISTICS
6	INTERNATIONAL STANDARD
7	PACKING
8	PRECAUTION
9	RELIABILITY
	Appendix A EMI Criteria



1. General Description

This specification applies to the 46 inch Color TFT-LCD Module T460HW02 V401. This LCD module has a TFT active matrix type liquid crystal panel 1920x1080 pixels, and diagonal size of 46 inch. This module supports Full HD mode (Non-interlace).

Each pixel is divided into Red, Green and Blue sub-pixels or dots which are arranged in vertical stripes. Gray scale or the brightness of the sub-pixel color is determined with a 10-bit gray scale signal for each dot.

The T460HW02 V401 has been designed to apply the 10-bit 2-channel LVDS interface method. It is intended to support displays where high brightness, Hi Color Gamut (92% NTSC), wide viewing angle, and high color depth are very important.

The T460HW02 V401 backlight unit is using inverter-less solution (with balance board), and need to be powered by integrated power system by customers.

* General Information

Items	Specification	Unit	Note
Active Screen Size	46	inches	Diagonal
Display Area	1018.08(H) x 572.67(V)	mm	
Outline Dimension	1066 (H) x 620.6(V) x 54.9(D)	mm	With Balance Board
Driver Element	a-Si TFT active matrix		
Display Colors	1073.7M	colors	
Color Gamut	92	%	NTSC
Number of Pixels	1920 x 1080	pixel	
Pixel Arrangement	RGB vertical stripe		
Pixel Pitch	0.53025	mm	
Display Mode	Normally Black		
Surface Treatment	Anti-glare, Haze = 11%, 3H		
RoHS	RoHS compliance		

2. Absolute Maximum Ratings

The followings are maximum values which, if exceeded, may cause faulty operation or damage to the unit

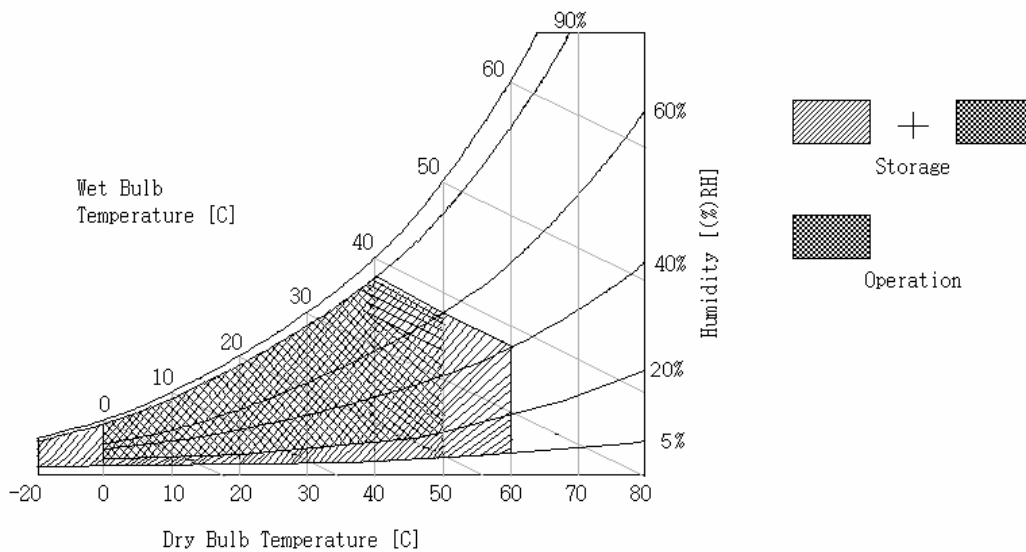
Item	Symbol	Min.	Max	Unit	Note
Logic/LCD Drive Voltage	V_{DD}	-0.3	14.0	V_{DC}	1
Input Voltage of Signal	V_{IN}	-0.3	3.5	V_{DC}	1
Operating Temperature	T_{OP}	0	+50	$^{\circ}C$	2
Operating Humidity	H_{OP}	10	90	%RH	2
Storage Temperature	T_{ST}	-20	+60	$^{\circ}C$	2
Storage Humidity	H_{ST}	10	90	%RH	2
Panel Surface Temperature	T_{SUR}	--	+65	$^{\circ}C$	2
Shock (non-operation)	$\pm x, \pm y$	--	50	G	3
Shock (non-operation)	$\pm z$	--	50	G	3
Vibration (non-operation)		--	1.5	Grms	4

Note 1: Duration = 50ms

Note 2: Maximum Wet-Bulb should be 39 $^{\circ}C$ and no condensation. The relative humidity must not exceed 90% non-condensing at temperatures of 40 $^{\circ}C$ or less. At temperatures greater than 40 $^{\circ}C$, the wet bulb temperature must not exceed 39 $^{\circ}C$.

Note 3: Sine wave, 11ms, direction: $\pm x, \pm y, \pm z$ (one time each direction)

Note 4: Wave form: random, vibration level: 1.5G RMS, Bandwidth: 10--300Hz
Duration: X, Y, Z 30min (one time each direction)





3. Electrical Specification

The T460HW02 requires two power inputs. One is employed to power the LCD electronics and to drive the TFT array and liquid crystal. The second input, which powers the CCFL, is typically generated by an integrate power (I/P) system.

3.1 Electrical Characteristics

Parameter		Symbol	Value			Unit	Note
			Min.	Typ.	Max		
Power Supply Input Voltage		V_{DD}	10.8	12.0	13.2	V_{DC}	
Power Supply Input Current		I_{DD}	--	1.6	3.0	A	1
Power Consumption		P_{DD}	--	19.2	39.6	Watt	1
Inrush Current		I_{RUSH}	--	--	8.0	A	5
LVDS Interface	Differential Input High Threshold Voltage	V_{TH}	--	--	+100	mV_{DC}	4
	Differential Input Low Threshold Voltage	V_{TL}	-100	--	--	mV_{DC}	4
	Common Input Voltage	V_{CIM}	1.10	1.2	1.40	V_{DC}	
CMOS Interface	Input High Threshold Voltage	V_{IH} (High)	--	--	2.1	V_{DC}	
	Input Low Threshold Voltage	V_{IL} (Low)	0.7	--	--	V_{DC}	
Backlight Power Consumption (ref.)		P_{BL}	160	190	220	Watt	2
Life Time			30,000	--	--	Hours	3

The performance of the Lamp in LCD panel, for example life time or brightness, is extremely influenced by the characteristics of the balance board and I/P board. All the parameters should be carefully designed as not to produce too much leakage current from high-voltage output. While design or order balance board, please make sure unwanted lighting caused by the mismatch of the lamp and balance board (no lighting, flicker, etc) never occurs. After confirmation, the LCD Panel should be operated in the same condition as installed in your instrument.

Do not attach a conducting tape to lamp connecting wire. If the lamp wire attach to conducting tape, TFT-LCD Module has a low luminance and the inverter has abnormal action, because leakage current occurs between lamp wire and conducting tape.



The relative humidity must not exceed 80% non-condensing at temperatures of 40°C or less. At temperatures greater than 40°C the wet bulb temperature must not exceed 39°C. When operate at low temperatures, the brightness of CCFL will drop and the lifetime of CCFL will be reduced.

Note:

1. $V_{DD}=12.0V$, $f_V=60Hz$, $f_{CLK}=75MHz$, $25^\circ C$, V_{DD} duration time= $470\mu s$, test pattern: full white pattern.
2. The backlight power consumption does not include loss of external power system. After the backlight unit has been 'ON' for 2 hours.
3. The life is determined as the time at which luminance of the lamp is 50% compared to that of initial value at the typical lamp current on condition of continuous operating at $25\pm 2^\circ C$.
4. $V_{CIM}=1.2V$

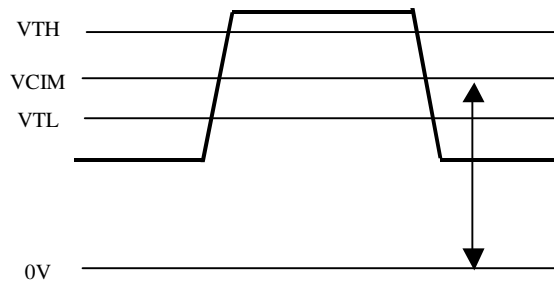
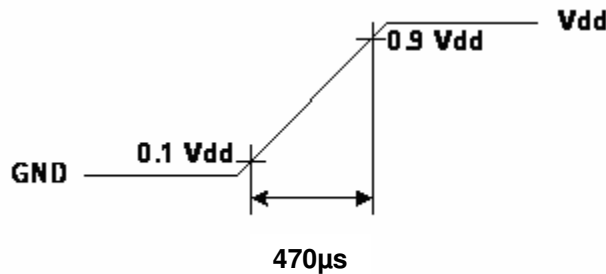


Figure: LVDS Differential Voltage

5. Measurement condition: rising time= $470\mu s$





3.2 Interface Connections

- LCD connector: FI-RE51S-HF (JAE)

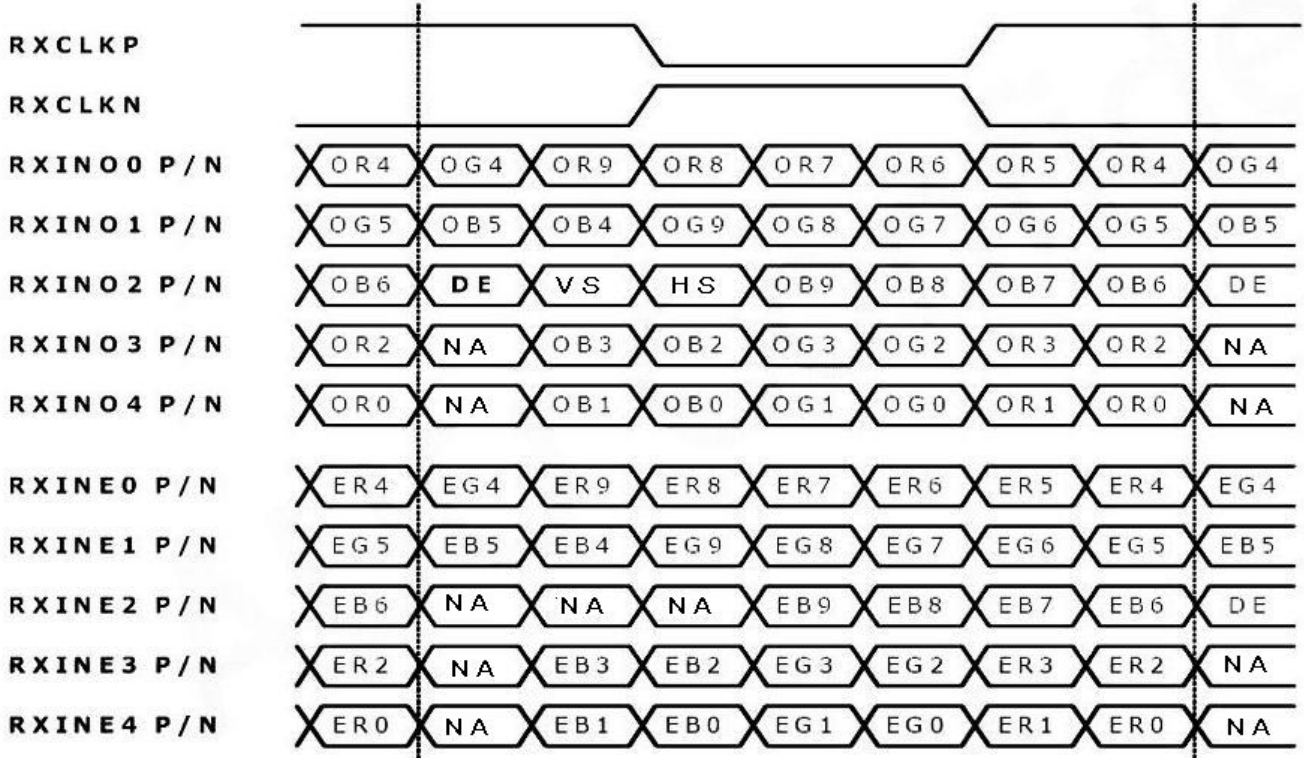
PIN #	Signal Name	Description
1	V _{DD}	12V power supply
2	V _{DD}	12V power supply
3	V _{DD}	12V power supply
4	V _{DD}	12V power supply
5	V _{DD}	12V power supply
6	NC	No connection
7	GND	Ground
8	GND	Ground
9	GND	Ground
10	RAX0-	LVDS RAN
11	RAX0+	LVDS RAP
12	RAX1-	LVDS RBN
13	RAX+	LVDS RBP
14	RAX2-	LVDS RCN
15	RAX2+	LVDS RCP
16	GND	Ground
17	RAXCLK-	LVDS RCLKN
18	RAXCLK+	LVDS RCLKP
19	GND	Ground
20	RAX3-	LVDS RDN
21	RAX3+	LVDS RDP
22	RAX4-	LVDS REN
23	RAX4+	LVDS REP
24	GND	Ground
25	RBX0-	LVDS RAN
26	RBX0+	LVDS RAP
27	RBX1-	LVDS RBN
28	RBX1+	LVDS RBP
29	RE_2-	LVDS RCN
30	RE_2+	LVDS RCP
31	GND	Ground



PIN #	Signal Name	Description
32	RBXCLK-	LVDS RCLKN
33	RBXCLK+	LVDS RCLKP
34	GND	Ground
35	RBX3-	LVDS RDN
36	RBX3+	LVDS RDP
37	RBX4-	LVDS REN
38	RBX4+	LVDS REP
39	GND	Ground
40	LVDS_SCL	I2C clock
41	LVDS_SDA	I2C data
42	NC	No connection
43	B-INT	I2C BUS Enable (H/Open: enable, L: disable)
44	PANEL SEL	Panel select signal output (Pull down) (NC for stand alone mode)
45	SET_ON2	Power on sequence(NC for stand alone mode)
46	SA_MODE	Stand alone mode(L/Open: Standalone, H:SONY use only)
47	AGING_MODE	Aging mode enable signal (H: Aging, L ; Normal)
48	BUS_SW	I2C BUS Enable (H/Open: enable, L ; disable)
49	FRC_RST	FRC-S reset
50	TCON_RDY	FRC-S ready signal
51	Panel_ON	Power on sequence(NC for stand alone mode)

Note: (1) All GND (ground) pins should be connected together and should also be connected to the LCD's metal frame. (2) All V_{DD} (power input) pins should be connected together. (3) All NC (no connection) pins should be open without voltage input. (4) Pin assignment is refer to SONY BT2 board definition.

LVDS Order → JEIDA



Note: LVDS Mapping is refer SONY BT2 board Spec.



3.3 Signal Timing Specification

This is the signal timing required at the input of the user connector. All of the interface signal timing should be satisfied with the following specifications for its proper operation.

Timing Table for 60Hz (Stand alone mode)

Signal	Item	Symbol	Min.	Typ.	Max	Unit
Vertical Section	Period	T_V	1125	1125	1125	T_H
	Active	$T_{DISP} (V)$	1080			T_H
	Blanking	$T_{BLK} (V)$		45		T_H
	Front porch	$T_{fp}(V)$	19	19	19	T_H
	Back porch	$T_{bp}(V)$	22	22	22	T_H
	V_sync	$TVsync_width$	4	4	4	T_H
Horizontal Section	Period	T_H	2208	2208	2208	T_{CLK}
	Active	$T_{DISP} (H)$	1920			T_{CLK}
	Blanking	$T_{BLK} (H)$		144		T_{CLK}
	Front porch	$T_{fp}(H)$	48	48	48	T_{CLK}
	Back porch	$T(H)$	208	208	208	T_{CLK}
	V_sync	$TVsync_width$	32	32	32	T_{CLK}
Clock	Period	T_{CLK}	13.3	13.41	13.6	ns
	Frequency	F_{CLK}	73.00	74.52	75.00	MHz
Vertical Frequency	Frequency	F_V		60.22		Hz
Horizontal Frequency	Frequency	F_H		67.50		KHz

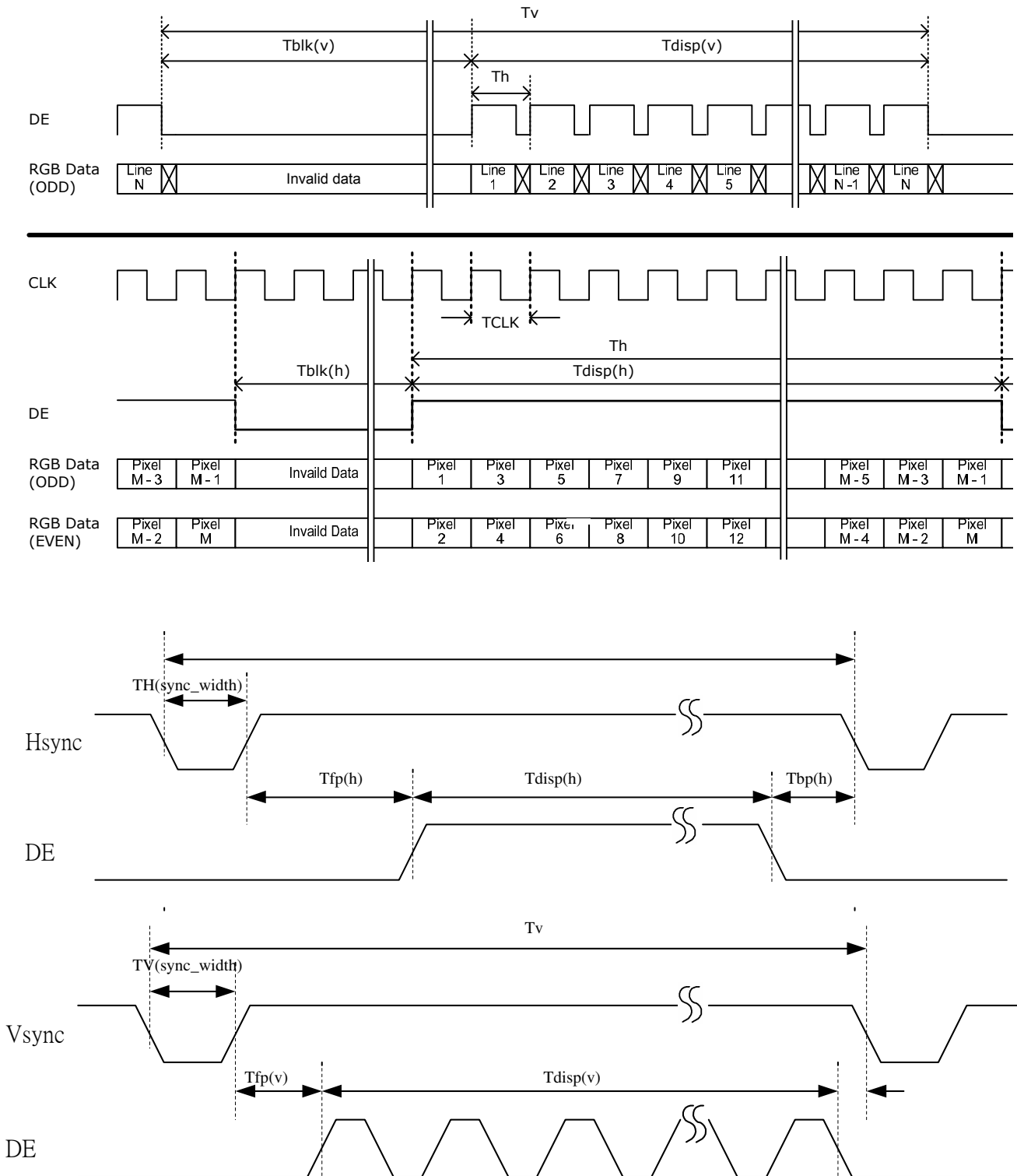


The following input timing table is for TV set standard mode, and it's applicable to FRC D808507F1T12 only.

		60Hz mode		50Hz mode		48Hz mode	
		Case1	Case2	Case1	Case2	Case1	Case2
H timing	Htotal	2184	2176	2184	2176	2184	2220
	Hact	1920	1920	1920	1920	1920	1920
	H_fp	32	24	32	24	32	68
	H_bp	200	200	200	200	200	200
	Hsync	32	32	32	32	32	32
	H_polarity	Negative	Negative	Negative	Negative	Negative	Negative
	Hfreq	67.995	68.244	67.995	68.244	67.995	66.892

V timing	Vtotal	1134	1138	1360	1365	1416	1394
	Vact	1080	1080	1080	1080	1080	1080
	V_fp	12	38	238	265	294	294
	V_bp	38	16	38	16	38	16
	Vsync	4	4	4	4	4	4
	V_polarity	Negative	Negative	Negative	Negative	Negative	Negative
	Vfreq	59.96	59.968	49.996	49.996	48.019	47.986

3.4 Signal Timing Waveforms





3.5 Color Input Data Reference

The brightness of each primary color (red, green and blue) is based on the 10 bit gray scale data input for the color; the higher the binary input, the brighter the color. The table below provides a reference for color versus data input.

COLOR DATA REFERENCE

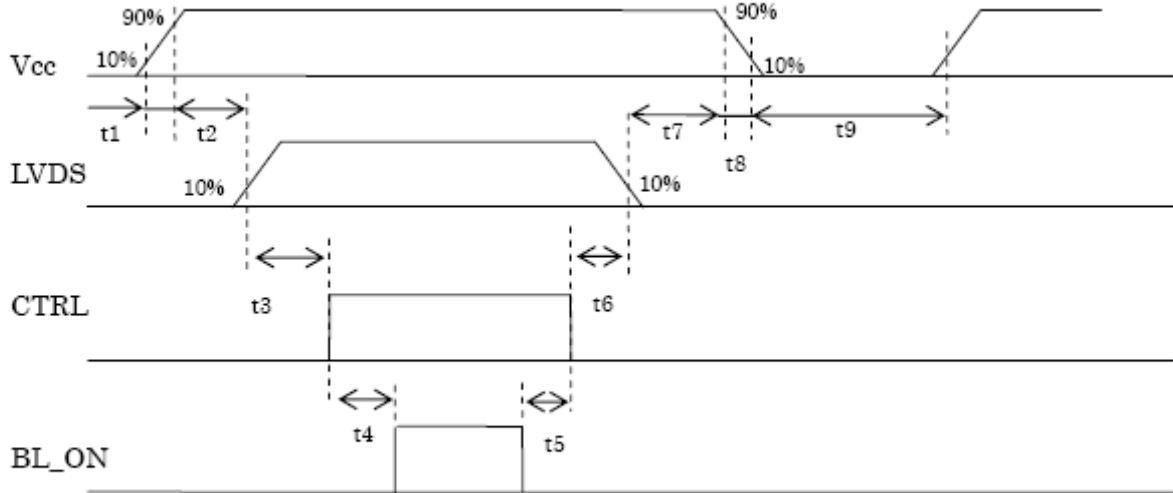
Color		Input Color Data																													
		RED										GREEN										BLUE									
		MSB					LSB					MSB					LSB					MSB				LSB					
		R9	R8	R7	R6	R5	R4	R3	R2	R1	R0	G9	G8	G7	G6	G5	G4	G3	G2	G1	G0	B9	B8	B7	B6	B5	B4	B3	B2	B1	B0
Basic Color	Black	0	0	0	0	0	0	0	0	0	0	0	0	0	0	0	0	0	0	0	0	0	0	0	0	0	0	0	0	0	0
	Red(1023)	1	1	1	1	1	1	1	1	1	1	0	0	0	0	0	0	0	0	0	0	0	0	0	0	0	0	0	0	0	0
	Green(1023)	0	0	0	0	0	0	0	0	0	0	1	1	1	1	1	1	1	1	1	1	0	0	0	0	0	0	0	0	0	0
	Blue(1023)	0	0	0	0	0	0	0	0	0	0	0	0	0	0	0	0	0	0	0	0	1	1	1	1	1	1	1	1	1	1
	Cyan	0	0	0	0	0	0	0	0	0	0	1	1	1	1	1	1	1	1	1	1	1	1	1	1	1	1	1	1	1	1
	Magenta	1	1	1	1	1	1	1	1	1	1	0	0	0	0	0	0	0	0	0	0	1	1	1	1	1	1	1	1	1	1
	Yellow	1	1	1	1	1	1	1	1	1	1	1	1	1	1	1	1	1	1	1	1	0	0	0	0	0	0	0	0	0	0
	White	1	1	1	1	1	1	1	1	1	1	1	1	1	1	1	1	1	1	1	1	1	1	1	1	1	1	1	1	1	1
RED	RED(000)	0	0	0	0	0	0	0	0	0	0	0	0	0	0	0	0	0	0	0	0	0	0	0	0	0	0	0	0	0	
	RED(001)	0	0	0	0	0	0	0	0	1	0	0	0	0	0	0	0	0	0	0	0	0	0	0	0	0	0	0	0	0	

	RED(1022)	1	1	1	1	1	1	1	1	0	0	0	0	0	0	0	0	0	0	0	0	0	0	0	0	0	0	0	0	0	
	RED(1023)	1	1	1	1	1	1	1	1	1	0	0	0	0	0	0	0	0	0	0	0	0	0	0	0	0	0	0	0	0	
GREEN	GREEN(000)	0	0	0	0	0	0	0	0	0	0	0	0	0	0	0	0	0	0	0	0	0	0	0	0	0	0	0	0	0	
	GREEN(001)	0	0	0	0	0	0	0	0	0	0	0	0	0	0	0	0	0	0	1	0	0	0	0	0	0	0	0	0	0	

	GREEN(1022)	0	0	0	0	0	0	0	0	0	1	1	1	1	1	1	1	1	1	0	0	0	0	0	0	0	0	0	0	0	
	GREEN(1023)	0	0	0	0	0	0	0	0	0	1	1	1	1	1	1	1	1	1	1	0	0	0	0	0	0	0	0	0	0	
BLUE	BLUE(000)	0	0	0	0	0	0	0	0	0	0	0	0	0	0	0	0	0	0	0	0	0	0	0	0	0	0	0	0	0	
	BLUE(001)	0	0	0	0	0	0	0	0	0	0	0	0	0	0	0	0	0	0	0	0	0	0	0	0	0	0	0	0	1	

	BLUE(1022)	0	0	0	0	0	0	0	0	0	0	0	0	0	0	0	0	0	0	0	1	1	1	1	1	1	1	1	1	0	
	BLUE(1023)	0	0	0	0	0	0	0	0	0	0	0	0	0	0	0	0	0	0	0	1	1	1	1	1	1	1	1	1	1	

3.6 Power Sequence



CTRL : B-INT, SA_MODE, BUS_SW

Parameter	Values			Unit
	Min.	Typ.	Max.	
t1	0.47	--	5	ms
t2	110	--	150	ms
t3	10	--	20	ms
t4	500	--	--	ms
t5	200	--	--	ms
t6	0	--	--	ms
t7	0	--	50	ms
t8	0.47	--	300	
t9	1000	--	--	

Apply the lamp voltage within the LCD operating range. When the backlight turns on before the LCD operation or the LCD turns off before the backlight turns off, the display may momentarily become abnormal.

Caution: The above on/off sequence should be applied to avoid abnormal function in the display. In case of handling, make sure to turn off the power when you plug the cable into the input connector or pull the cable out of the connector.



3.7 Backlight Power Specification

Specification

(Ta=25±5°C, Turn-on after 60mins)

	Item	Symbol	Specification			Unit	Note
			Min.	Typ.	Max		
1	High Voltage (HV) Input	HV1/ HV2	--	910	--	V _{RMS}	High Voltage (HV) Input
2	Input Current of ech HV	I _{HV}	--	120	--	mA _{RMS}	Input Current of ech HV
3	High Voltage (HV) Output	V _{OUT}		950		V _{RMS}	High Voltage (HV) Output
4	Output Lamp Current	I _{OUT}	8.9	9.4	9.9	mA _{RMS}	Output Lamp Current
5	Operating Frequency	F _{OP}	50	53.5	57	KHz	Operating Frequency
6	PWM Dimming Frequency	F _{PWM}	--	150	--	Hz	PWM Dimming Frequency
7	Dimming Duty Ratio	D _{PWM}	10	--	85	%	Dimming Duty Ratio
8	Lamp Type		Straight				
9	Number of Lamps		24			pcs	

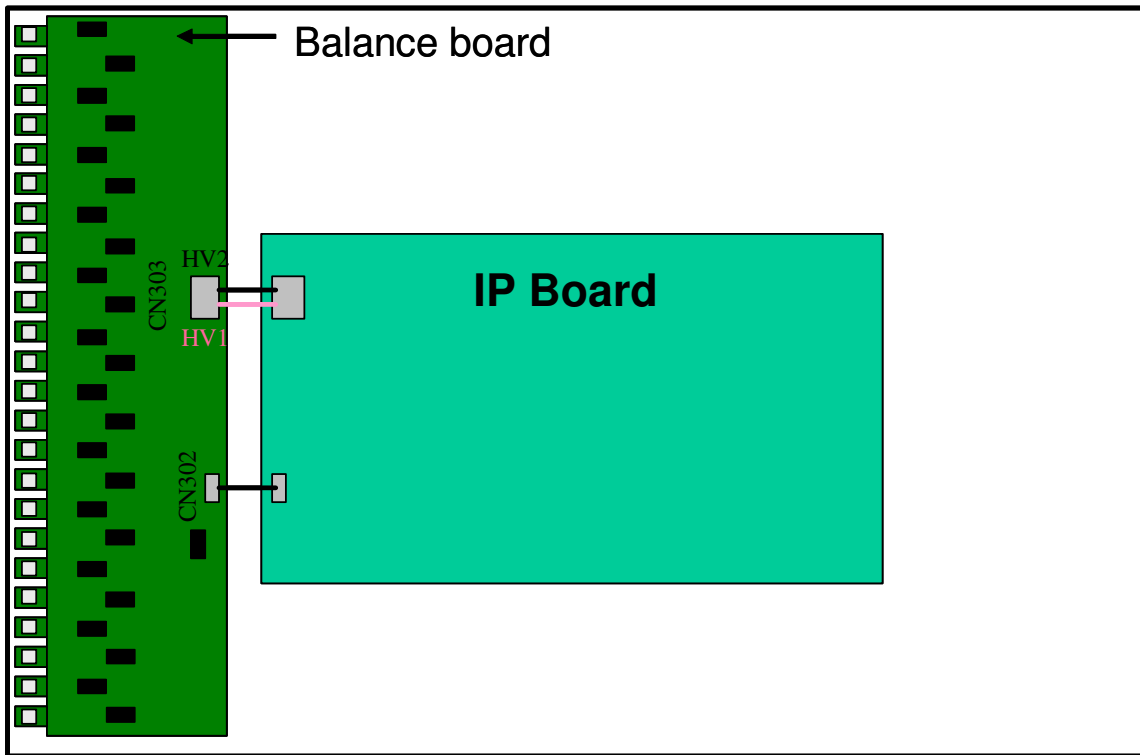
Protection Circuit (Feedback Signal):

10	Supply Voltage	V _{CC}	10	12	15	V _{DC}	
11	Supply Current	I _{CC}		10		mA _{DC}	
12	Current Feedback Signal	V _{FB}		1		V _{rms}	
13	Lamp Detection (OLP)	V _{LD(H)}	V _{CC} -0.5	--	--	V _{DC}	Lamp normal status
		V _{LD(L)}			0.8	V _{DC}	Lamp protection status

Lamp Specification:

14	Output Working Voltage	V _L	(1193)	(1230)	(1316)	V _{RMS}	I _L =9.4mA
15	Output Current	I _L	11.0	9.4	7.0	mA _{RMS}	
16	Lamp Frequency	F _{LAMP}	40	--	80	KHz	
17	Starting Voltage	V _s	--	1390	1670	V _{RMS}	Ta=25°C
			--	1600	1920	V _{RMS}	Ta=0°C

Connector Pin Assignment



CN302 : BM07B-GHS-TBT (JST)

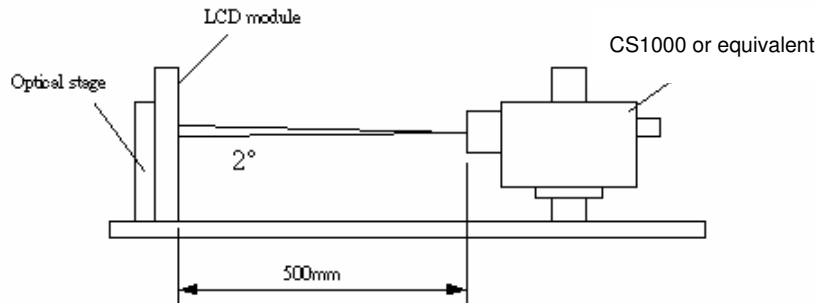
PIN #	Symbol	Description
1	VCC	Power Supply for Protection Circuit
2	FB	Lamp Current Detected signal (Full wave current)
3	FB	Lamp Current Detected signal (Full wave current)
4	GND	Signal Ground
5	GND	Signal Ground
6	LD	CCFL Connector Open & Non-lighting signal
7	LD	CCFL Connector Open & Non-lighting signal

CN303 : MDF61-4P-13V(21) (HIROSE)

PIN #	Symbol	Description
1	HV1	High Voltage Input A
2	HV1	High Voltage Input A
3	HV2	High Voltage Input B (It is reverse polarity to A)
4	HV2	High Voltage Input B (It is reverse polarity to A)

4. Optical Specification

Optical characteristics are determined after the unit has been 'ON' and stable for approximately 60 minutes in a dark environment at 25°C. The values specified are at an approximate distance 500mm from the LCD surface at a viewing angle of φ and θ equal to 0°.



Parameter	Symbol	Values			Unit	Notes
		Min.	Typ.	Max		
Contrast Ratio	CR	2000	2500	--		1,2
Surface Luminance (White)	L_{WH}	450	550	--	cd/m ²	3
Luminance Variation	$\delta_{WHITE(9P)}$	--	--	1.3		4
Response Time (Average)	T _γ	--	6.5	--	ms	5 (Gray to Gray)
Color Coordinates						
Red	R_x	Typ.-0.03	0.660	Typ.+0.03		
	R_y		0.330			
Green	G_x		0.210			
	G_y		0.670			
Blue	B_x		0.148			
	B_y		0.063			
White	W_x	0.280				
	W_y	0.280				
Viewing Angle						
(Contrast Ratio>10)						
x axis, right($\varphi=0^\circ$)	θ_r	75	89	--	degree	6
x axis, left($\varphi=180^\circ$)	θ_l	75	89	--	degree	6
y axis, up($\varphi=90^\circ$)	θ_u	75	89	--	degree	6
y axis, down ($\varphi=270^\circ$)	θ_d	75	89	--	degree	6

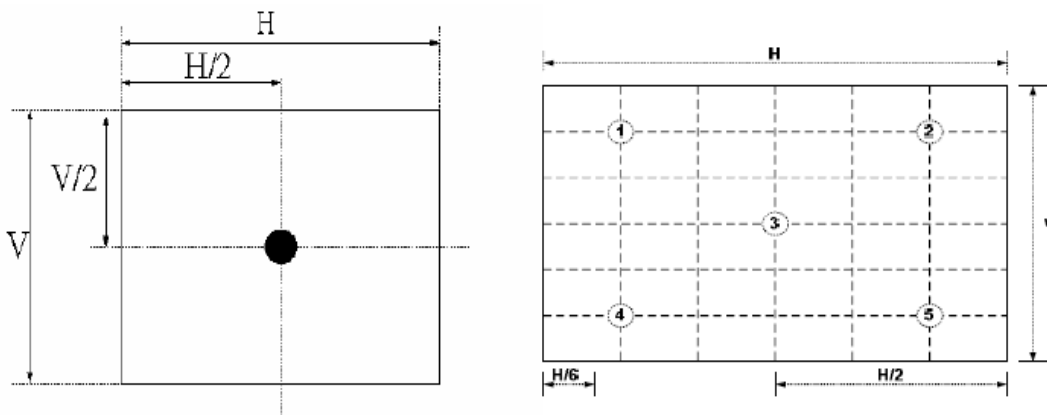
Note:

1. Contrast Ratio (CR) is defined mathematically as:

$$\text{Contrast Ratio (CR)} = \frac{\text{Brightness of the "white" state}}{\text{Brightness of the "black" state}}$$

2. 2500 typical value is based on CS-1000 results.
3. Surface luminance is luminance value at point 1 across the LCD surface 50cm from the surface with all pixels displaying white. From more information see FIG 2.

FIG. 2 Luminance



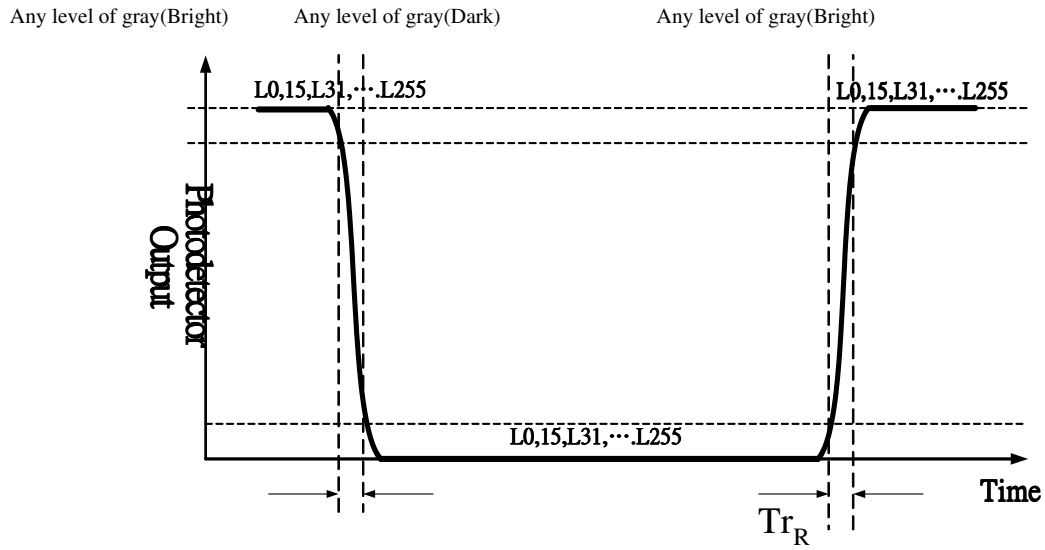
4. The variation in surface luminance, δ_{WHITE} is defined (center of Screen) as:

$$\delta_{\text{WHITE(5P)}} = \frac{\text{Maximum}(L_{\text{on1}}, L_{\text{on2}}, \dots, L_{\text{on5}})}{\text{Minimum}(L_{\text{on1}}, L_{\text{on2}}, \dots, L_{\text{on5}})}$$

5. Response time T_{γ} is the average time required for display transition by switching the input signal for five luminance ratio (0%, 25%, 50%, 75%, 100% brightness matrix) and is based on $f_v=60\text{Hz}$ to optimize.

	0%	25%	50%	75%	100%
0%		t:0%-25%	t:0%-50%	t:0%-75%	t:0%-100%
25%	t:25%-0%		t:25%-50%	t:25%-75%	t:25%-100%
50%	t:50%-0%	t:50%-25%		t:50%-75%	t:50%-100%
75%	t:75%-0%	t:75%-25%	t:75%-50%		t:50%-100%
100%	t:100%-0%	t:100%-25%	t:100%-50%	t:100%-75%	

The response time is defined as the following figure and shall be measured by switching the input signal for “any level of gray(bright) “ and “any level of gray(dark)”.



6. Viewing angle is the angle at which the contrast ratio is greater than 10. The angles are determined for the horizontal (or x-axis) and the vertical (or y-axis) with respect to the z-axis which is normal to the LCD surface. For more information see Fig. 4-3.

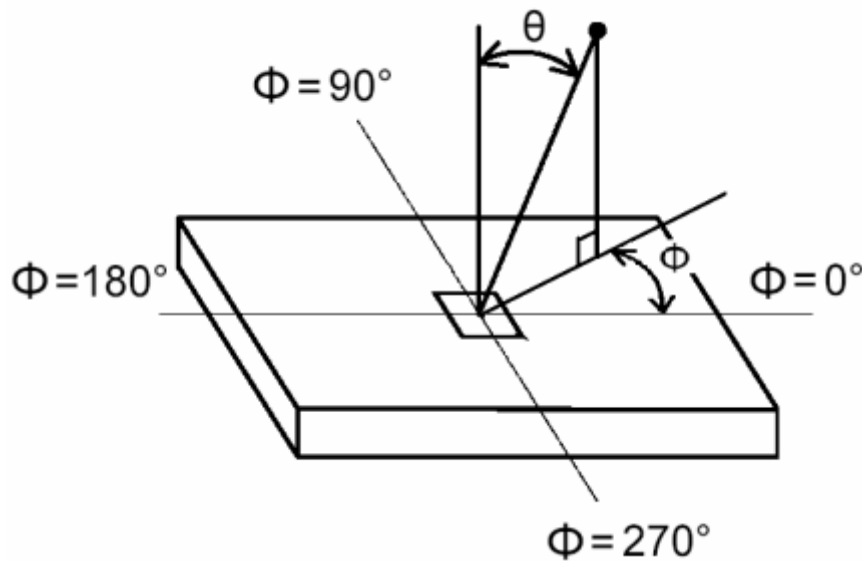


Fig.4-3 Viewing angle definition



5.Mechanical Characteristics

The contents provide general mechanical characteristics for the model T460HW02. In addition the figures in the next page are detailed mechanical drawing of the LCD.

Outline Dimension	Horizontal (typ.)	1066.0 mm
	Vertical (typ.)	620.6 mm
	Depth (typ.)	54.9 mm (with balance board)
Bezel Area	Horizontal (typ.)	1029.6 mm
	Vertical (typ.)	584.2 mm
Active Display Area	Horizontal	1018.08 mm
	Vertical	572.67 mm
Weight (typical)	13500g (typ.)	
Surface Treatment	AG, Haze:11%, 3H	

6. International Standard



6-1. Safety

- (1) UL6500, UL 60065 Underwriters Laboratories, Inc. (AUO file number: E204356)
Standard for Safety of Information Technology Equipment Including electrical Business Equipment.
- (2) CAN/CSA C22.2 No. 950-95 Third Edition, Canadian Standards Association, Jan. 28, 1995
Standard for Safety of Information Technology Equipment Including Electrical Business Equipment.
- (3) EN60950: 1992+A2: 1993+A2: 1993+C3: 1995+A4: 1997+A11: 1997
IEC 950: 1991+A1: 1992+A2: 1993+C3: 1995+A4:1996
IEC 60065: version 7th
European Committee for Electro technical Standardization (CENELEC)
EUROPEAN STANDARD for Safety of Information Technology Equipment Including Electrical Business Equipment.

6-2. EMC

- (1) ANSI C63.4 "Methods of Measurement of Radio-Noise Emissions from Low-Voltage Electrical and Electrical Equipment in the Range of 9kHz to 40GHz. "American National standards Institute(ANSI), 1992
- (2) C.I.S.P.R "Limits and Methods of Measurement of Radio Interface Characteristics of Information Technology Equipment." International Special committee on Radio Interference.
- (3) EN 55022 "Limits and Methods of Measurement of Radio Interface Characteristics of Information Technology Equipment." European Committee for Electrotechnical Standardization. (CENELEC), 1998

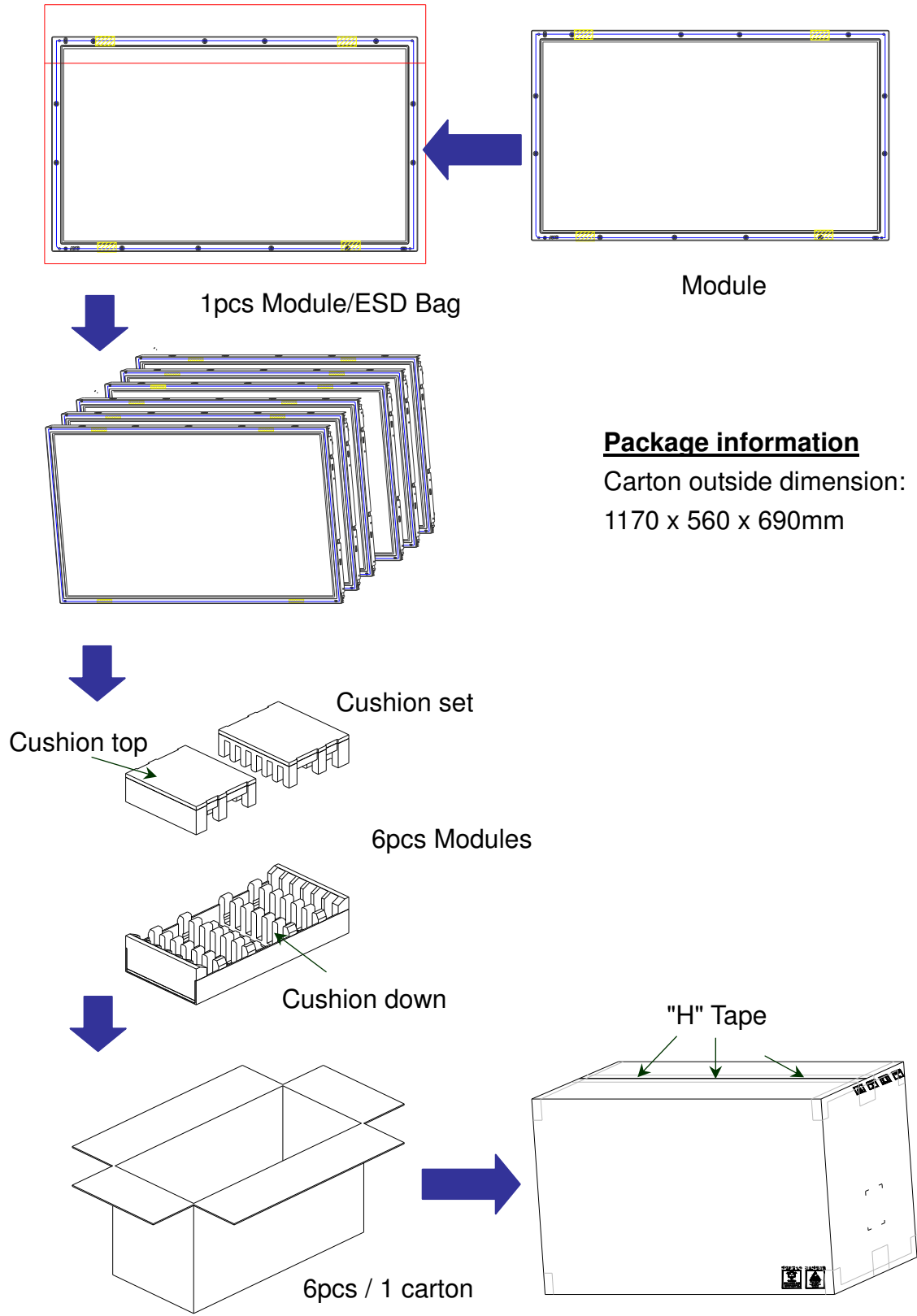
6-3. Green Mark Description

- (1) For Pb Free products, AUO will add  for identification.
- (2) For RoHS compatible products, AUO will add  for identification.

Note. The Green Mark will be present only when the green documents have been ready by AUO Internal Green Team.
(The definition of green design follows the AUO green design checklist.)

6. Packing

Packing Instruction



Pallet information

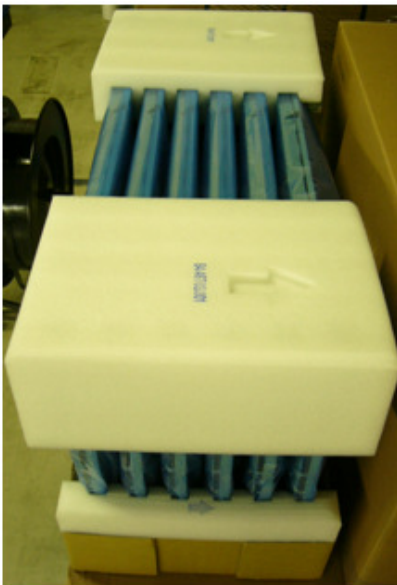
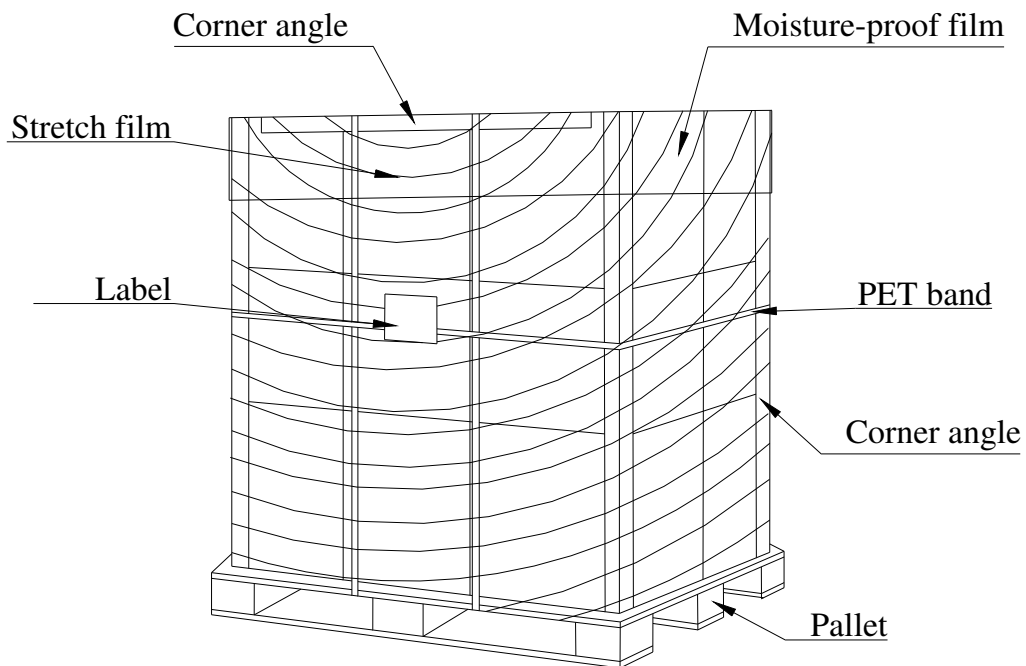
By air cargo: (2 x 1) x 1 layers, one pallet put 2 boxes, total 12 pcs module.

Dimension: 1140 x 1180 x 820mm

By sea: (2 x 1) x 2 layers, one pallet put 2 boxes, stack 2 layers, total 24 pcs module.

Dimension: 1140 x 1180 x 1640mm

Pallet dimension: 1140 x 1180 x 123mm





7. Precautions

Please pay attention to the followings when you use this TFT LCD module.

8-1 MOUNTING PRECAUTIONS

- (1) You must mount a module using holes arranged on back side of panel or front mount bezel
- (2) You should consider the mounting structure so that uneven force (ex. Twisted stress) is not applied to module. And the case on which a module is mounted should have sufficient strength so that external force is not transmitted directly to the module.
- (3) Please attach the surface transparent protective plate to the surface in order to protect the polarizer. Transparent protective plate should have sufficient strength in order to resist external force.
- (4) You should adopt radiation structure to satisfy the temperature specification.
- (5) Acetic acid type and chlorine type materials for the cover case are not desirable because the former generates corrosive gas of attacking the polarizer at high temperature and the latter causes circuit break by electro-chemical reaction.
- (6) Do not touch, push or rub the exposed polarizers with glass, tweezers or anything harder than HB pencil lead. And please do not rub with dust clothes with chemical treatment. Do not touch the surface of polarizer for bare hand or greasy cloth. (Some cosmetics are detrimental to the polarizer.)
- (7) When the surface becomes dusty, please wipe gently with absorbent cotton or other soft materials like chamois soaks with petroleum benzene. Normal-hexane is recommended for cleaning the adhesives used to attach front/ rear polarizers. Do not use acetone, toluene and alcohol because they cause chemical damage to the polarizer.
- (8) Wipe off saliva or water drops as soon as possible. Their long time contact with polarizer causes deformations and color fading.
- (9) Do not open the case because inside circuits do not have sufficient strength.

8-2 OPERATING PRECAUTIONS

- (1) The spike noise causes the mis-operation of circuits. It should be lower than following voltage:
 $V = \pm 200\text{mV}$ (Over and under shoot voltage)
- (2) Response time depends on the temperature. (In lower temperature, it becomes longer.)
- (3) Brightness depends on the temperature. (In lower temperature, it becomes lower.) And in lower temperature, response time (required time that brightness is stable after turned on) becomes longer.
- (4) Be careful for condensation at sudden temperature change. Condensation makes damage to polarizer or electrical contacted parts. And after fading condensation, smear or spot will occur.
- (5) When fixed patterns are displayed for a long time, remnant image is likely to occur.
- (6) Module has high frequency circuits. Sufficient suppression to the electromagnetic interference shall be done by system manufacturers. Grounding and shielding methods may be important to minimize the interface.



8-3 ELECTROSTATIC DISCHARGE CONTROL

Since a module is composed of electronic circuits, it is not strong to electrostatic discharge. Make certain that treatment persons are connected to ground through wrist band etc. And don't touch interface pin directly.

8-4 PRECAUTIONS FOR STRONG LIGHT EXPOSURE

Strong light exposure causes degradation of polarizer and color filter.

8-5 STORAGE

When storing modules as spares for a long time, the following precautions are necessary.

- (1) Store them in a dark place. Do not expose the module to sunlight or fluorescent light. Keep the temperature between 5°C and 35°C at normal humidity.
- (2) The polarizer surface should not come in contact with any other object. It is recommended that they be stored in the container in which they were shipped.

8-6 HANDLING PRECAUTIONS FOR PROTECTION FILM

- (1) The protection film is attached to the bezel with a small masking tape. When the protection film is peeled off, static electricity is generated between the film and polarizer. This should be peeled off slowly and carefully by people who are electrically grounded and with well ion-blown equipment or in such a condition, etc.
- (2) When the module with protection film attached is stored for a long time, sometimes there remains a very small amount of flue still on the Bezel after the protection film is peeled off.
- (3) You can remove the glue easily. When the glue remains on the Bezel or its vestige is recognized, please wipe them off with absorbent cotton waste or other soft material like chamois soaked with normal-hexane.



9. Reliability

Environment test condition

No	Test Item	Condition
1	High Temperature Storage Test	Ta = 60 °C, 500Hr Judge
2	Low Temperature Storage Test	Ta = -20 °C, 500Hr Judge
3	High Temperature / High Humidity Operation Test	Ta = 50 °C, 80%RH, 500Hr Judge
4	Low Temperature Operation Test	Ta = -5 °C , 500Hr Judge
5	Heat Shock	-40 °C → +60 °C / 45min. → -40 °C / 45min. 200 cycles Temperature transition time must be < 5min.
6	Vibration Test (non-operating)	Waveform: random Vibration Level: 1.5G RMS Bandwidth: 10-300Hz Duration: X, Y, Z 30min one time each direction
7	Shock Test (non-operating)	Shock Level: 50G Waveform: have sine wave, 11ms Direction: ±X, ±Y, ±Z one time each direction Time Cycle No.: once for each time
8	Vibration Test (with carton)	Waveform: random Vibration Level: 0.83G RMS Bandwidth:10-200Hz Duration: 30min in each X, Y, Z direction
9	Drop Test (with carton)	Height: 31cm 1 corner, 3 edges, 6 surfaces (ASTMD4169-I)



Appendix A EMI criteria

EMI

Item	Min	Typ	Max	Unit
EMI Level (Note)	--	--	TBD	dB (μ V/m)
SSCG	Off			ps

Note.Note:

- a.. Criteria: CISPR22
- b. Signal generator: PSG400 (Sony EMCS)
- c. EMI site: Sony EMCS Ichinomiya Tec. or using correlation value
- d. Inverter (Balancer) power supply: off
- e. Find result should be checked by connecting with TV-set.
(Remark