



Product Description: **T520HW01 TFT-LCD PANEL**

---

AUO Model Name: **T520HW01 V4**

Customer Part No. / Project Name:

**Customer Signature**

**AU Optronics Corp.**

Approved By: PM Director / Frank Hsu

---

Reviewed By: RD Director / Eugene CC Chen

---

Reviewed By: Project Leader / Benson Chai

---

Prepared By: PM / Eric Chiang

---

**Note**



*Document Version:1.0*

*Date: 2009/05/04*

## **Product Functional Specification**

**52" Full HD Color TFT-LCD Module  
Model Name: T520HW01 V4**

**() Preliminary Specification  
(\* Final Specification**



## Contents

No	
	CONTENTS
	RECORD OF REVISIONS
1	GENERAL DESCRIPTION
2	ABSOLUTE MAXIMUM RATINGS
3	ELECTRICAL SPECIFICATION
3-1	ELECTRICAL CHARACTERISTICS
3-2	INTERFACE CONNECTOR
3-3	SIGNAL TIMING SPECIFICATION
3-4	SIGNAL TIMING WAVEFORM
3-5	COLOR INPUT DATA REFERENCE
3-6	POWER SEQUENCE
3-7	BACK LIGHT POWER SPECIFICATION
4	OPTICAL SPECIFICATION
5	MECHANICAL CHARACTERISTICS
6	RELIABILITY
7	INTERNATIONAL STANDARD
8	PACKING
9	PRECAUTION



## Record of Revision

Version	Date	Page.	Old Description	New Description	Remark
0.0	2008/12/9		First release	N/A	N/A
1.0	2008/12/19	18	Minimum surface luminance 400 nits	Minimum surface luminance 425nits	



## 1. General Description

This specification applies to the 52 inch Color TFT-LCD Module T520HW01 V4. This LCD module has a TFT active matrix type liquid crystal panel 1920x1080 pixels, and diagonal size of 52 inch. This module supports Full HD mode (Non-interlace) with 60Hz frame rate.

Each pixel is divided into Red, Green and Blue sub-pixels or dots which are arranged in vertical stripes. Gray scale or the brightness of the sub-pixel color is determined with a 8-bit gray scale signal for each dot.

The T520HW01 V4 has been designed to apply the 8-bit 2 channel LVDS interface method. It is intended to support displays where high brightness, EBU Gamut (72% NTSC), wide viewing angle, and high color depth are very important.

The T520HW01 V4 backlight unit is using inverter-less solution (inductor type balance board), and need to be powered by integrated power system by customers.

### \* General Information

Items	Specification	Unit	Note
Active Screen Size	52	inches	Diagonal
Display Area	1152(H) x 648(V)	mm	
Outline Dimension	1226(H) x 719.2(V) x 58(D)	mm	With Balance Board
Driver Element	a-Si TFT active matrix		
Display Colors	16.7M	Colors	
Color Gamut	72	%	NTSC
Number of Pixels	1920 x 1080	Pixel	
Pixel Arrangement	RGB vertical stripe		
Pixel Pitch	0.6	mm	
Display Mode	Normally Black		
Surface Treatment	Haze 11%, 3H		
RoHS	RoHS compliance		



## 2. Absolute Maximum Ratings

The followings are maximum values which, if exceeded, may cause faulty operation or damage to the unit

Item	Symbol	Min.	Max	Unit	Note
Logic/LCD Drive Voltage	$V_{DD}$	-0.3	14.0	$V_{DC}$	1
Input Voltage of Signal	$V_{IN}$	-0.3	3.6	$V_{DC}$	1
Operating Temperature	$T_{OP}$	0	+50	$^{\circ}C$	2
Operating Humidity	$H_{OP}$	10	90	%RH	2
Storage Temperature	$T_{ST}$	-20	+60	$^{\circ}C$	2
Storage Humidity	$H_{ST}$	10	90	%RH	2
Panel Surface Temperature	$T_{SUR}$	--	+65	$^{\circ}C$	2
Shock (non-operation)	$\pm X, \pm Y$	--	40	G	3
Shock (non-operation)	$\pm Z$	--	30	G	3
Vibration (non-operation)		--	1.5	G	4

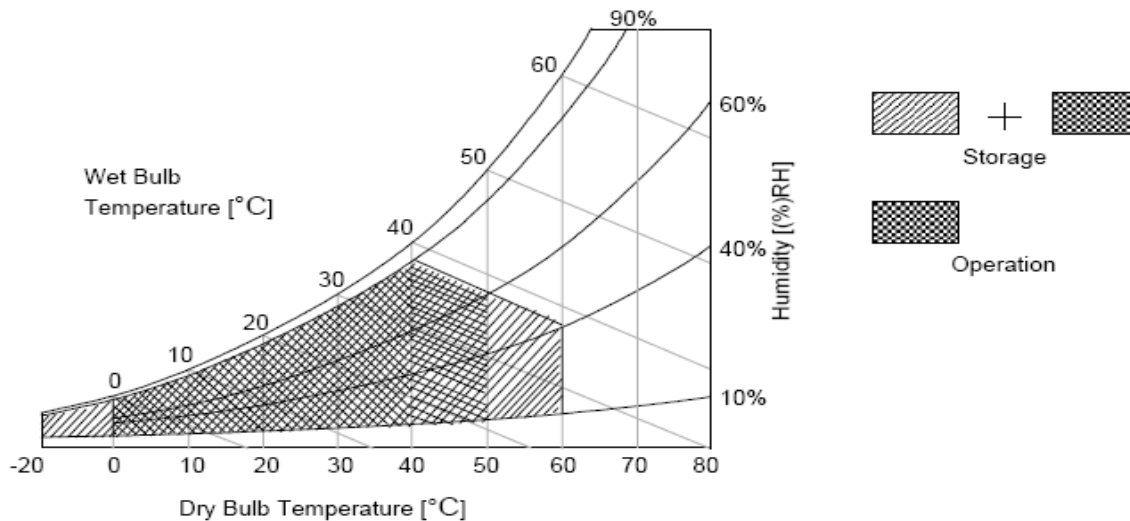
Note 1: Duration = 50ms

Note 2: Maximum Wet-Bulb should be  $39^{\circ}C$  and no condensation. The relative humidity must not exceed 90% non-condensing at temperatures of  $40^{\circ}C$  or less. At temperatures greater than  $40^{\circ}C$ , the wet bulb temperature must not exceed  $39^{\circ}C$ .

Note 3: Sine wave, 11ms, direction:  $\pm X, \pm Y, \pm Z$  (one time each direction)

Note 4: Wave form: random, vibration level: 1.5G RMS, Bandwidth: 10--300Hz  
Duration: X, Y, Z 30min (one time each direction)

Note 5: Surface temperature is measured at  $50^{\circ}C$  Dry condition





### 3. Electrical Specification

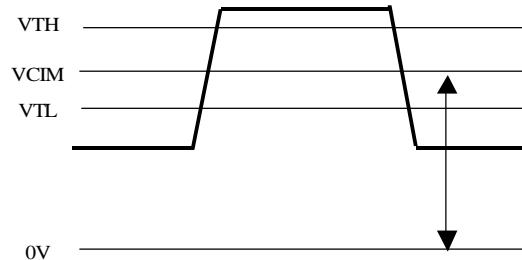
The T520HW01 V4 requires two power inputs. One is employed to power the LCD electronics and to drive the TFT array and liquid crystal. The second input, which powers the CCFL, is typically generated by an integrate power (I/P) system.

#### 3.1 Electrical Characteristics

Parameter		Symbol	Value			Unit	Note
			Min.	Typ.	Max		
Power Supply Input Voltage		$V_{DD}$	10.8	12.0	13.2	$V_{DC}$	
Power Supply Input Current		$I_{DD}$	--	0.6	1.2	A	1
Power Consumption		$P_C$	--	7.2	14.4	Watt	1
Inrush Current		$I_{RUSH}$	--	--	13	A	4
LVDS Interface	Differential Input High Threshold Voltage	$V_{TH}$	--	--	+100	$mV_{DC}$	3
	Differential Input Low Threshold Voltage	$V_{TL}$	-100	--	--	$mV_{DC}$	3
	Common Input Voltage	$V_{CIM}$	1.10	1.25	1.40	$V_{DC}$	
CMOS Interface	Input High Threshold Voltage	$V_{IH}$ (High)	2.4	--	3.3	$V_{DC}$	
	Input Low Threshold Voltage	$V_{IL}$ (Low)	0	--	0.7	$V_{DC}$	
Backlight Power Consumption (ref.)		$P_{BL}$	--	190	--	Watt	2
Life Time			50000	--	--	Hours	5

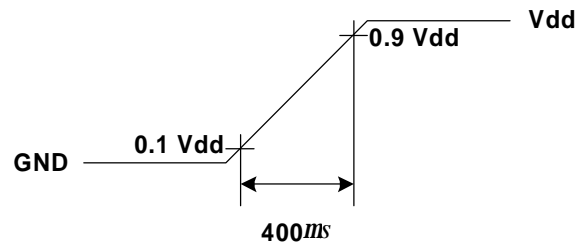
**Note:**

1.  $V_{DD}=12.0V$ ,  $f_V=60Hz$ ,  $f_{CLK}=81.5Mhz$ ,  $25^{\circ}C$ ,  $V_{DD}$  duration time= $400\mu s$ , test pattern: white pattern
2. The backlight power consumption shown above is tested by lamp current  $I_L=9.0mA$ .
3.  $V_{CIM}=1.25V$



**Figure: LVDS Differential Voltage**

4. Measurement condition: rising time= $400\mu s$



5. Specified values are for a single lamp only which is aligned horizontally. The lifetime is defined as the time which luminance of the lamp is 50% compared to its original value.  
[Operating condition: Continuous operating at  $T_a = 25 \pm 2^{\circ}C$ ]
6. The performance of the Lamp in LCD panel, for example life time or brightness, is extremely influenced by the characteristics of balanced board and I/P board. All the parameters should be carefully designed as not to produce too much leakage current from high-voltage output. While you design or order the balance board, please make sure unwanted lighting caused by the mismatch of the lamp and the balanced board (no lighting, flicker, etc) never occurs. After confirmation, the LCD panel should be operated in the same condition as installed in your instrument
7. Do not attach a conducting tape to lamp connecting wire. If the lamp wire attach to conducting tape, TFT-LCD Module have a low luminance and the inverter has abnormal action because leakage current occurs between lamp wire and conducting tape.
8. The relative humidity must not exceed 80% non-condensing at temperatures of  $40^{\circ}C$  or less. At temperatures greater than  $40^{\circ}C$ , the wet bulb temperature must not exceed  $39^{\circ}C$ . When operate at low temperatures, the brightness of CCFL will drop and the life time of CCFL will be reduced.





### 3.2 Interface Connections

I LCD connector: FI-RE51S-HF (Manufactured by JAE)

I Mating connector: FI-RE51S-HL (Manufactured by JAE)

Pin No	Symbol	Description	Note
1	VDD	Operating Voltage Supply, +12V DC Regulated	Power
2	VDD	Operating Voltage Supply, +12V DC Regulated	
3	VDD	Operating Voltage Supply, +12V DC Regulated	
4	VDD	Operating Voltage Supply, +12V DC Regulated	
5	VDD	Operating Voltage Supply, +12V DC Regulated	
6	GND	Ground	
7	GND	Ground	
8	GND	Ground	
9	GND	Ground	
10	RO_0-	LVDS Channel odd, Signal 0-	LVDS Channel Odd
11	RO_0+	LVDS Channel odd, Signal 0+	
12	RO_1-	LVDS Channel odd, Signal 1-	
13	RO_1+	LVDS Channel odd, Signal 1+	
14	RO_2-	LVDS Channel odd, Signal 2-	
15	RO_2+	LVDS Channel odd, Signal 2+	
16	GND	Ground	
17	RO_CLK-	LVDS Channel odd, Clock -	
18	RO_CLK+	LVDS Channel odd, Clock +	
19	GND	Ground	
20	RO_3-	LVDS Channel odd, Signal 3-	
21	RO_3+	LVDS Channel odd, Signal 3+	
22	RO_4-	LVDS Channel odd, Signal 4-	
23	RO_4+	LVDS Channel odd, Signal 4+	
24	GND	Ground	
25	RE_0-	LVDS Channel even, Signal 0-	LVDS Channel Even
26	RE_0+	LVDS Channel even, Signal 0+	
27	RE_1-	LVDS Channel even, Signal 1-	
28	RE_1+	LVDS Channel even, Signal 1+	
29	RE_2-	LVDS Channel even, Signal 2-	
30	RE_2+	LVDS Channel even, Signal 2+	
31	GND	Ground	



32	RE_CLK-	LVDS Channel even, Clock -	
33	RE_CLK+	LVDS Channel even, Clock +	
34	GND	Ground	
35	RE_3-	LVDS Channel even, Signal 3-	
36	RE_3+	LVDS Channel even, Signal 3+	
37	RE_4-	LVDS Channel even, Signal 4-	
38	RE_4+	LVDS Channel even, Signal 4+	
39	GND	Ground	
40	NC	AUO internal use	
41	NC	AUO internal use	
42	NC	AUO internal use	
43	NC	AUO internal use	
44	NC	AUO internal use	
45	LVDS order	LVDS_SEL (H/OPEN:NS L:JEIDA )	Default :NS
46	NC	NC	
47	NC	AUO internal use	
48	NC		
49	NC		
50	NC		
51	NC	AUO internal use	

Note 1: All GND (ground) pins should be connected together and should also be connected to the LCD 's metal frame.

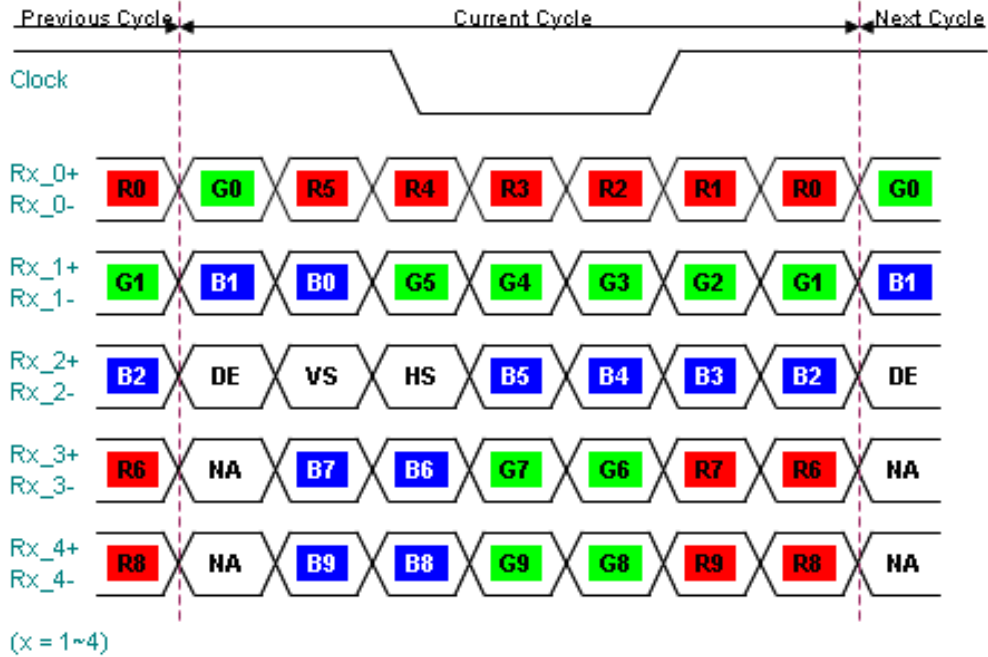
Note 2: All V<sub>DD</sub> (power input) pins should be connected together.

Note 3: All NC (no connection) pins should be open without voltage input.



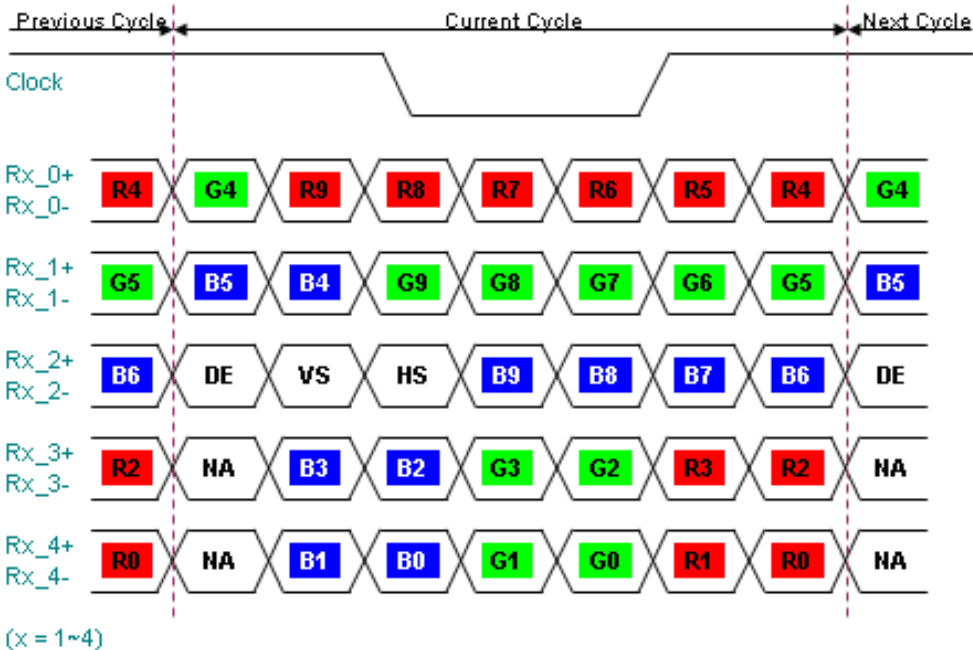
## LVDS Option = High/Open $\Rightarrow$ NS

### NS



## LVDS Option = Low $\Rightarrow$ JEIDA

### JEIDA





### 3.3 Signal Timing Specification

This is the signal timing required at the input of the user connector. All of the interface signal timing should be satisfied with the following specifications for its proper operation.

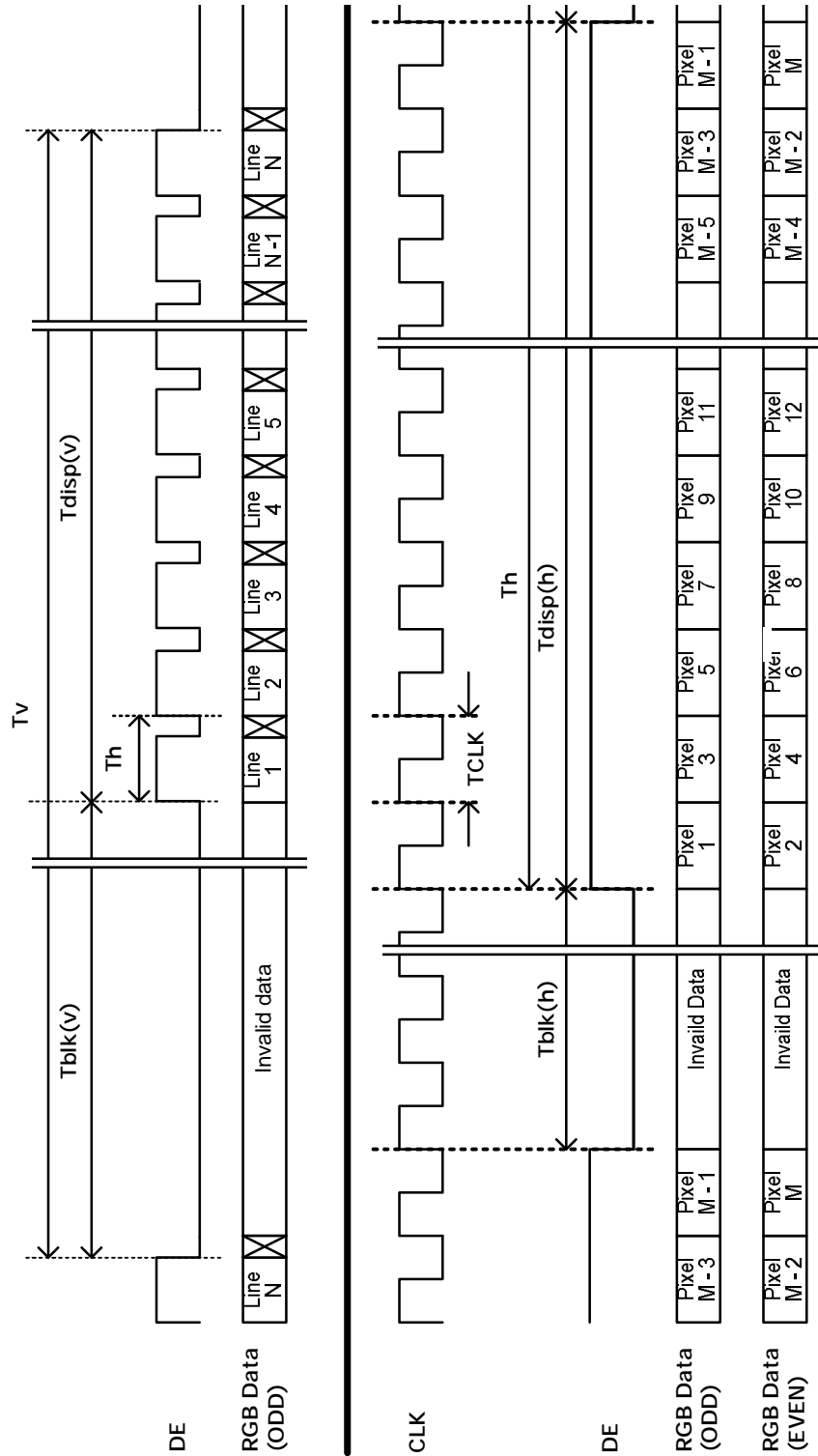
Timing Table (DE only Mode)

Vertical Frequency Range (60Hz)

Signal	Item	Symbol	Min.	Typ.	Max	Unit
Horizontal Section	Period	$T_V$	1030	1100	1325	$T_H$
	Active	$T_{DISP} (V)$	960			$T_H$
	Blanking	$T_{BLK} (V)$	70	140	365	$T_H$
Vertical Section	Period	$T_H$	1090	1125	1480	$T_{CLK}$
	Active	$T_{DISP} (H)$	1080			$T_{CLK}$
	Blanking	$T_{BLK} (H)$	10	45	400	$T_{CLK}$
Clock	Period	$T_{CLK}$	20	13.46	12.2	ns
	Frequency	$F_{CLK}$	50	74.25	82	MHz
Vertical Frequency	Frequency	$F_V$	47	60	63	Hz
Horizontal Frequency	Frequency	$F_H$	60	67.5	73	KHz



### 3.4 Signal Timing Waveforms





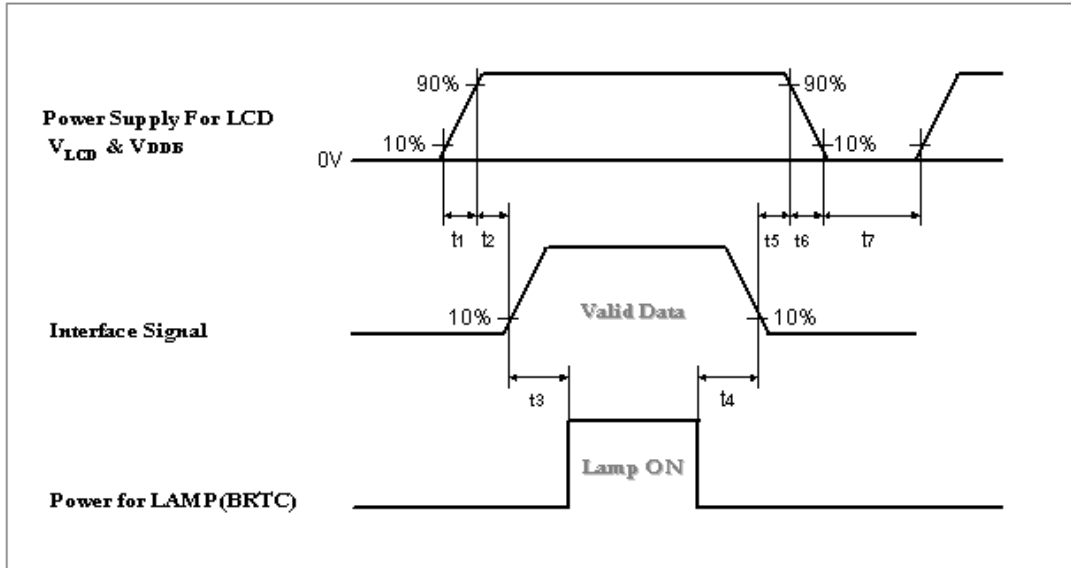
### 3.5 Color Input Data Reference

The brightness of each primary color (red, green and blue) is based on the 8 bit gray scale data input for the color; the higher the binary input, the brighter the color. The table below provides a reference for color versus data input.

COLOR DATA REFERENCE

Color		Input Color Data																							
		RED								GREEN								BLUE							
		MSB				LSB				MSB				LSB				MSB				LSB			
		R7	R6	R5	R4	R3	R2	R1	R0	G7	G6	G5	G4	G3	G2	G1	G0	B7	B6	B5	B4	B3	B2	B1	B0
Basic Color	Black	0	0	0	0	0	0	0	0	0	0	0	0	0	0	0	0	0	0	0	0	0	0	0	0
	Red(255)	1	1	1	1	1	1	1	1	0	0	0	0	0	0	0	0	0	0	0	0	0	0	0	0
	Green(255)	0	0	0	0	0	0	0	0	1	1	1	1	1	1	1	1	0	0	0	0	0	0	0	0
	Blue(255)	0	0	0	0	0	0	0	0	0	0	0	0	0	0	0	0	1	1	1	1	1	1	1	1
	Cyan	0	0	0	0	0	0	0	0	1	1	1	1	1	1	1	1	1	1	1	1	1	1	1	1
	Magenta	1	1	1	1	1	1	1	1	0	0	0	0	0	0	0	0	1	1	1	1	1	1	1	1
	Yellow	1	1	1	1	1	1	1	1	1	1	1	1	1	1	1	1	0	0	0	0	0	0	0	0
	White	1	1	1	1	1	1	1	1	1	1	1	1	1	1	1	1	1	1	1	1	1	1	1	1
RED	RED(000)	0	0	0	0	0	0	0	0	0	0	0	0	0	0	0	0	0	0	0	0	0	0	0	0
	RED(001)	0	0	0	0	0	0	0	1	0	0	0	0	0	0	0	0	0	0	0	0	0	0	0	0
	----																								
	RED(254)	1	1	1	1	1	1	1	0	0	0	0	0	0	0	0	0	0	0	0	0	0	0	0	0
	RED(255)	1	1	1	1	1	1	1	1	0	0	0	0	0	0	0	0	0	0	0	0	0	0	0	0
GREEN	GREEN(000)	0	0	0	0	0	0	0	0	0	0	0	0	0	0	0	0	0	0	0	0	0	0	0	0
	GREEN(001)	0	0	0	0	0	0	0	0	0	0	0	0	0	0	1	0	0	0	0	0	0	0	0	
	----																								
	GREEN(254)	0	0	0	0	0	0	0	0	1	1	1	1	1	1	1	0	0	0	0	0	0	0	0	0
	GREEN(255)	0	0	0	0	0	0	0	0	1	1	1	1	1	1	1	1	0	0	0	0	0	0	0	0
BLUE	BLUE(000)	0	0	0	0	0	0	0	0	0	0	0	0	0	0	0	0	0	0	0	0	0	0	0	0
	BLUE(001)	0	0	0	0	0	0	0	0	0	0	0	0	0	0	0	0	0	0	0	0	0	0	0	1
	-----																								
	BLUE(254)	0	0	0	0	0	0	0	0	0	0	0	0	0	0	0	0	1	1	1	1	1	1	1	0
	BLUE(255)	0	0	0	0	0	0	0	0	0	0	0	0	0	0	0	0	1	1	1	1	1	1	1	1

### 3.6 Power Sequence



Parameter	Values			Unit
	Min.	Typ.	Max.	
t1	0.4	--	30	ms
t2	0.1	--	50	ms
t3	300	--	--	ms
t4	10	--	--	ms
t5	0.1	--	50	ms
t6	--	--	300	ms
t7	500	--	--	ms

Apply the lamp voltage within the LCD operating range. When the backlight turns on before the LCD operation or the LCD turns off before the backlight turns off, the display may momentarily become abnormal.

**Caution:** The above on/off sequence should be applied to avoid abnormal function in the display. In case of handling, make sure to turn off the power when you plug the cable into the input connector or pull the cable out of the connector.



### 3.7 Backlight Power Specification

(Ta=25±5°C, Turn-on after 60mins)

	Item	Symbol	Specification			Unit	Note
			Min.	Typ.	Max		
1	High Voltage (HV) Input	HV1/ HV2	500	650	800	V <sub>RMS</sub>	
2	Input Current of ech HV	I <sub>HV</sub>	135	140	155	mA <sub>RMS</sub>	
3	High Voltage (HV) Output	V <sub>OUT</sub>	500	650	800	V <sub>RMS</sub>	
4	Output Lamp Current	I <sub>OUT</sub>	8.7	9	9.3	mA <sub>RMS</sub>	PWM=100%
5	Operating Frequency	F <sub>OP</sub>	43	45	47	KHz	(Recommend)
6	PWM Dimming Frequency	F <sub>PWM</sub>	140	150	160	Hz	(Recommend)
7	Dimming Duty Ratio	D <sub>PWM</sub>	20		100	%	(Recommend)
8	Lamp Type	Straight					
9	Number of Lamps	16				pcs	

Protection Circuit (Feedback Signal):

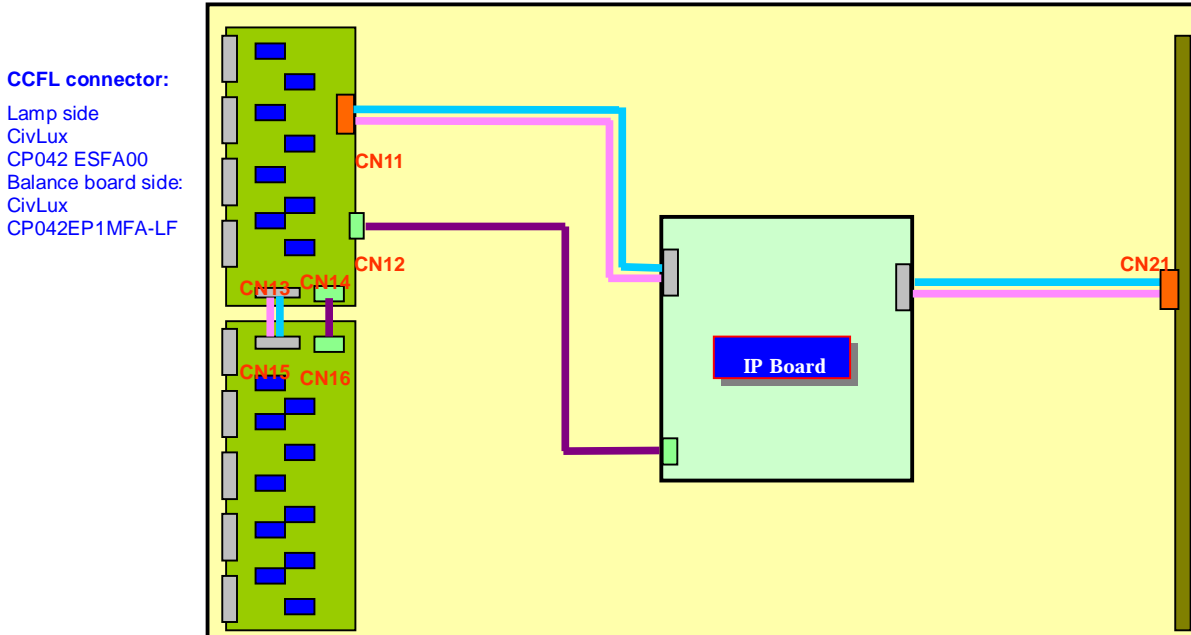
10	Supply Voltage	V <sub>CC</sub>	10	12	15	V <sub>DC</sub>	
11	Supply Current	I <sub>CC</sub>		5		mA <sub>DC</sub>	
12	Current Feedback Signal	V <sub>FB</sub>		2.1		V <sub>RMS</sub>	
13	Lamp Detection (OLP)	V <sub>LD(H)</sub>	V <sub>CC-0.5</sub>		V <sub>CC</sub>	V <sub>DC</sub>	Lamp normal status
		V <sub>LD(L)</sub>			0.8	V <sub>DC</sub>	Lamp protection status

Lamp Specification:

14	Output Working Voltage	V <sub>L</sub>	500	650	800	V <sub>RMS</sub>	I <sub>L</sub> =6.0mA <sub>RMS</sub>
15	Output Current	I <sub>L</sub>	8.7	9	9.3	mA <sub>RMS</sub>	
16	Lamp Frequency	F <sub>LAMP</sub>	40	--	80	KHz	
17	Starting Voltage	V <sub>S</sub>	—	—	2300	V <sub>RMS</sub>	Ta=0°C (refer lamp SPEC. )



## Connector Pin Assignment



**CN11:** YeonHO\_130001WR-02E (LF)

PIN #	Symbol	Description
1	HV1+	I/P board high voltage supply
2	HV1+	I/P board high voltage supply

**CN21:** YeonHO\_130001WR-02E (LF)

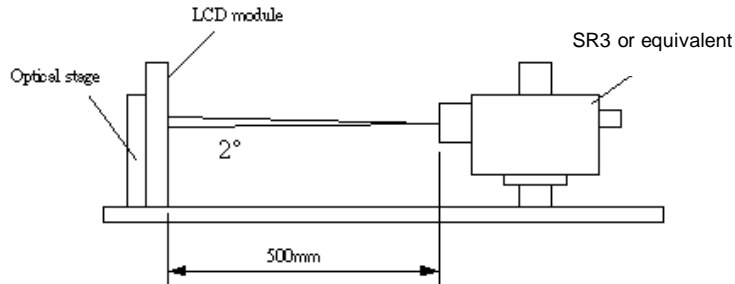
PIN #	Symbol	Description
1	HV1-	I/P board high voltage supply
2	HV1-	I/P board high voltage supply

**CN12:** HIROSE\_KN30-7P-1.25H

PIN #	Symbol	Description
1	V <sub>CC</sub>	12V power supply
2	FB1	Lamp current feedback signal (Full wave current)
3	FB2	Lamp current feedback signal (Full wave current)
4	GND	GND
5	GND	GND
6	LD	Lamp detection
7	LD	Lamp detection

## 4. Optical Specification

Optical characteristics are determined after the unit has been 'ON' and stable for approximately 60 minutes in a dark environment at 25°C. The values specified are at an approximate distance 50cm from the LCD surface at a viewing angle of  $\varphi$  and  $\theta$  equal to 0°.



Parameter	Symbol	Values			Unit	Notes
		Min.	Typ.	Max		
Contrast Ratio	CR	4000	5000	--		1
Surface Luminance (White)	$L_{WH}$	425	500	--	cd/m <sup>2</sup>	2
Luminance Variation	$\delta_{WHITE(9P)}$	--	--	1.3		3
Response Time (Average)	$T_{\gamma}$	--	6.5	--	ms	4 (Gray to Gray)
Color Coordinates						
Red	$R_x$	Typ.-0.03	0.640	Typ.+0.03		
	$R_y$		0.330			
Green	$G_x$		0.290			
	$G_y$		0.600			
Blue	$B_x$		0.150			
	$B_y$		0.060			
White	$W_x$		0.280			
	$W_y$		0.290			
Viewing Angle						
(Contrast Ratio>10)						
x axis, right( $\varphi=0^\circ$ )	$\theta_r$	--	89	--	degree	5
x axis, left( $\varphi=180^\circ$ )	$\theta_l$	--	89	--	degree	5
y axis, up( $\varphi=90^\circ$ )	$\theta_u$	--	89	--	degree	5
y axis, down ( $\varphi=270^\circ$ )	$\theta_d$	--	89	--	degree	5

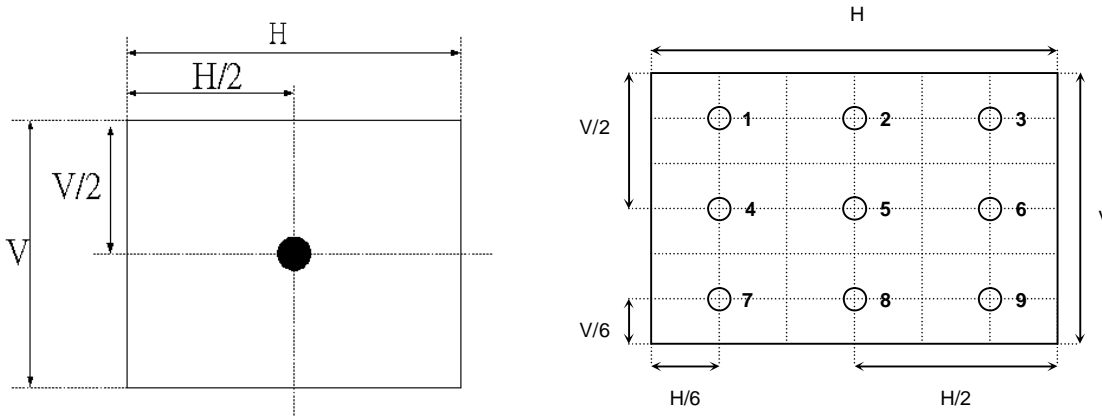


Note:

1. Contrast Ratio (CR) is defined mathematically as:

$$\text{Contrast Ratio (CR)} = \frac{\text{Brightness of the "white" state}}{\text{Brightness of the "black" state}}$$

2. Surface Luminance is luminance value at point 5 with 100% dimming across the LCD surface 50cm from the surface with all pixels displaying white. For more information see Fig. 4-2. When lamp current  $I_L=7.6\text{mA}$ ,  $L_{WH}=L_{on5}$ , where  $L_{on5}$  is the luminance with all pixels displaying white at center 5 location.



**Fig.4-2 Optical measurement point**

3. The variation in surface luminance,  $\delta_{WHITE(9P)}$  is defined under brightness of  $I_L=9\text{mA}$  as:

$$\delta_{WHITE(9P)} = \frac{\text{Maximum}(L_{on1}, L_{on2}, \dots, L_{on9})}{\text{Minimum}(L_{on1}, L_{on2}, \dots, L_{on9})}$$

4. Response time  $T_y$  is the average time required for display transition by switching the input signal for five luminance ratio (0%, 25%, 50%, 75%, 100% brightness matrix) and is based on  $f_v=60\text{Hz}$  to optimize.

	0%	25%	50%	75%	100%
0%		t:0%-25%	t:0%-50%	t:0%-75%	t:0%-100%
25%	t:25%-0%		t:25%-50%	t:25%-75%	t:25%-100%
50%	t:50%-0%	t:50%-25%		t:50%-75%	t:50%-100%
75%	t:75%-0%	t:75%-25%	t:75%-50%		t:50%-100%
100%	t:100%-0%	t:100%-25%	t:100%-50%	t:100%-75%	

5. Viewing angle is the angle at which the contrast ratio is greater than 10. The angles are determined for the horizontal (or x-axis) and the vertical (or y-axis) with respect to the z-axis which is normal to the LCD surface. For more information see Fig. 4-4.

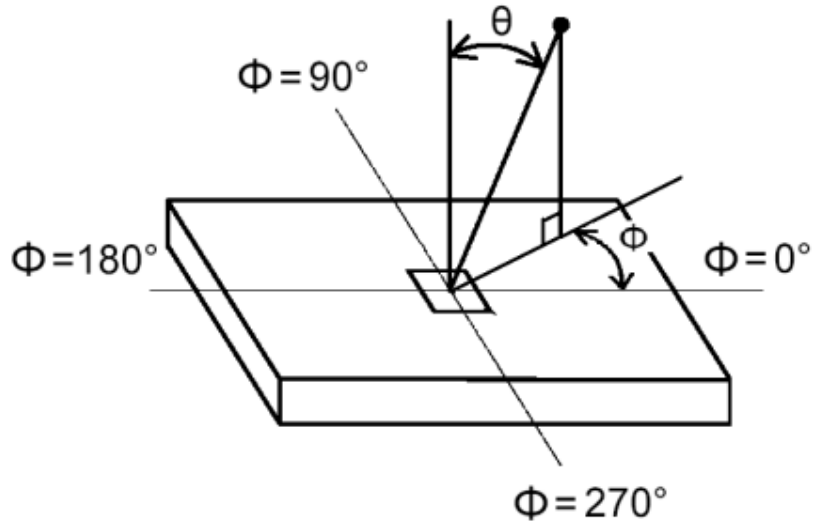


Fig.4-4 Viewing angle definition

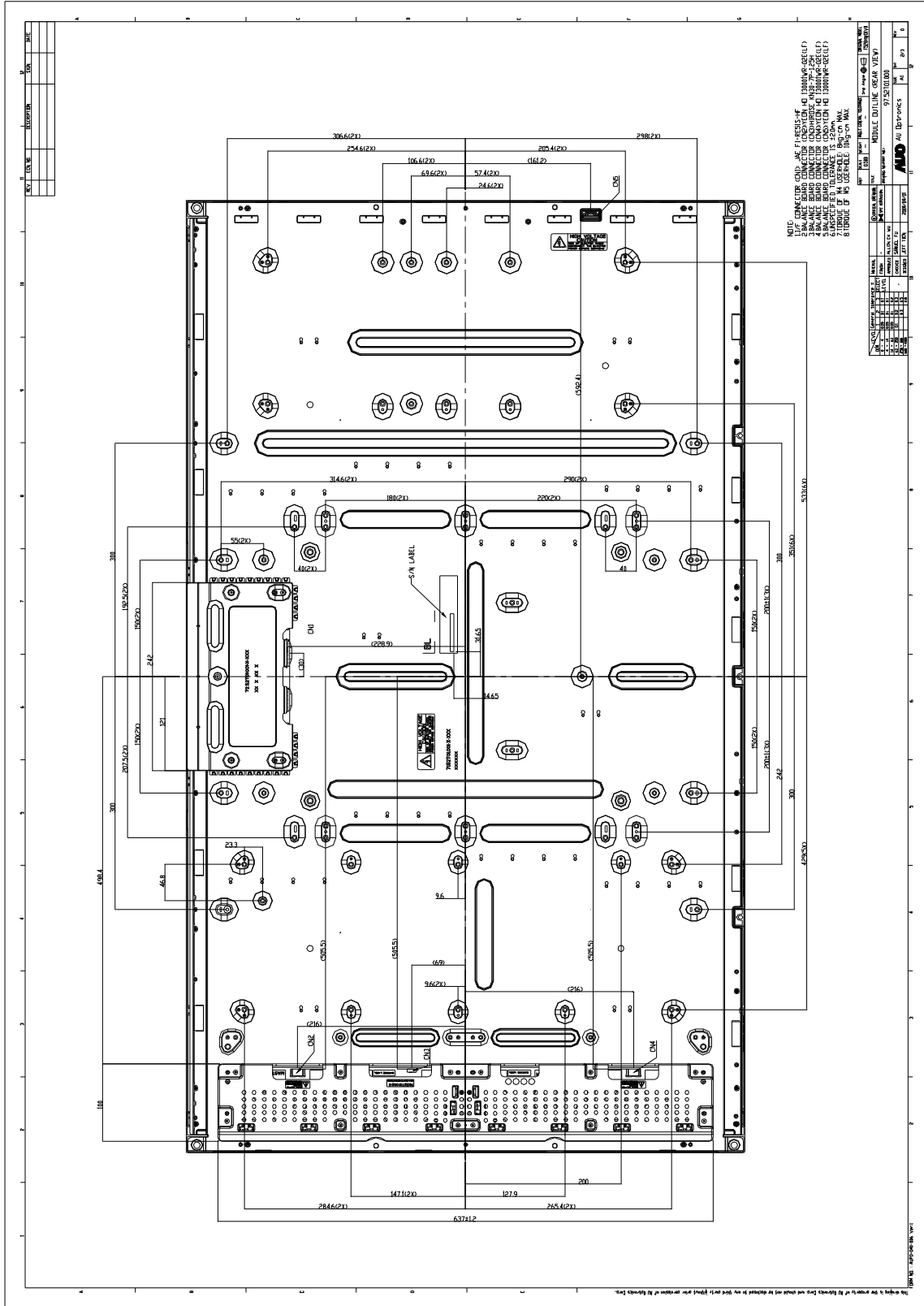


## 5. Mechanical Characteristics

The contents provide general mechanical characteristics for the model T520HW01. In addition the figures in the next page are detailed mechanical drawing of the LCD.

Outline Dimension	Horizontal (typ.)	1226 mm
	Vertical (typ.)	719.2 mm
	Depth (typ.)	58 mm (with balance board)
Bezel Area	Horizontal (typ.)	1166 mm
	Vertical (typ.)	662 mm
Active Display Area	Horizontal	1152 mm
	Vertical	648 mm
Weight	19000g (Max)	
Surface Treatment	AGSR6, 3H	







## 6. Reliability

Panel condition in RA test

Brightness: 500nits

Lamp Current (Hot side): 9.0 mA

No	Test Item	Condition
1	High temperature storage test	Ta=60 °C 300h
2	Low temperature storage test	Ta= -20 °C 300h
3	High temperature operation test	Ta=50 °C 300h
4	Low temperature operation test	Ta=-5 °C 300h

Result Evaluation Criteria }

There should be no change which might affect the practical display function when the display quality test is conducted under normal operating condition.





## 7. International Standard


### 7-1. Safety

- (1) UL6500, UL 60065 Underwriters Laboratories, Inc. (AUO file number: E204356)  
Standard for Safety of Information Technology Equipment Including electrical Business Equipment.
- (2) CAN/CSA C22.2 No. 950-95 Third Edition, Canadian Standards Association, Jan. 28, 1995  
Standard for Safety of Information Technology Equipment Including Electrical Business Equipment.
- (3) EN60950: 1992+A2: 1993+A2: 1993+C3: 1995+A4: 1997+A11: 1997  
IEC 950: 1991+A1: 1992+A2: 1993+C3: 1995+A4:1996  
IEC 60065: version 7th  
European Committee for Electro technical Standardization (CENELEC)  
EUROPEAN STANDARD for Safety of Information Technology Equipment Including Electrical Business Equipment.

### 7-2. EMC

- (1) ANSI C63.4 “Methods of Measurement of Radio-Noise Emissions from Low-Voltage Electrical and Electrical Equipment in the Range of 9kHz to 40GHz. “American National standards Institute(ANSI), 1992
- (2) C.I.S.P.R “Limits and Methods of Measurement of Radio Interface Characteristics of Information Technology Equipment.” International Special committee on Radio Interference.
- (3) EN 55022 “Limits and Methods of Measurement of Radio Interface Characteristics of Information Technology Equipment.” European Committee for Electrotechnical Standardization. (CENELEC), 1998

### 7-3. Green Mark Description

- (1) For Pb Free products, AUO will add  for identification.
- (2) For RoHS compatible products, AUO will add RoHS for identification.

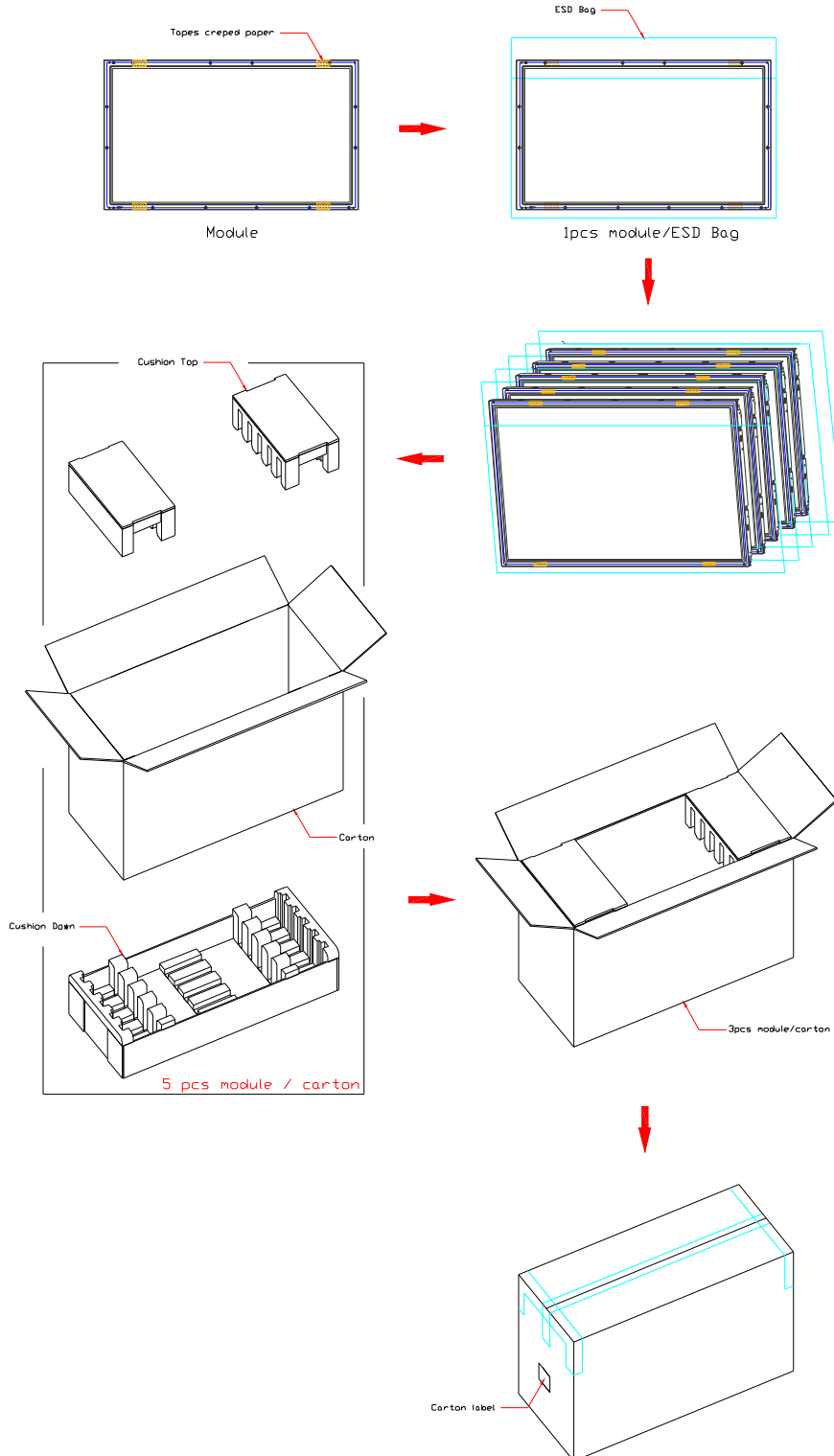
**Note.** The Green Mark will be present only when the green documents have been ready by AUO Internal Green Team. (The definition of green design follows the AUO green design checklist.)



## 8. Packing

### Packing Instruction

Carton dimension= 1300x 560x 860 mm

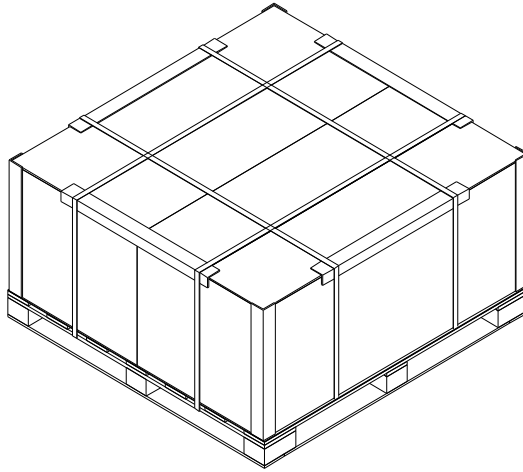




### Pallet information

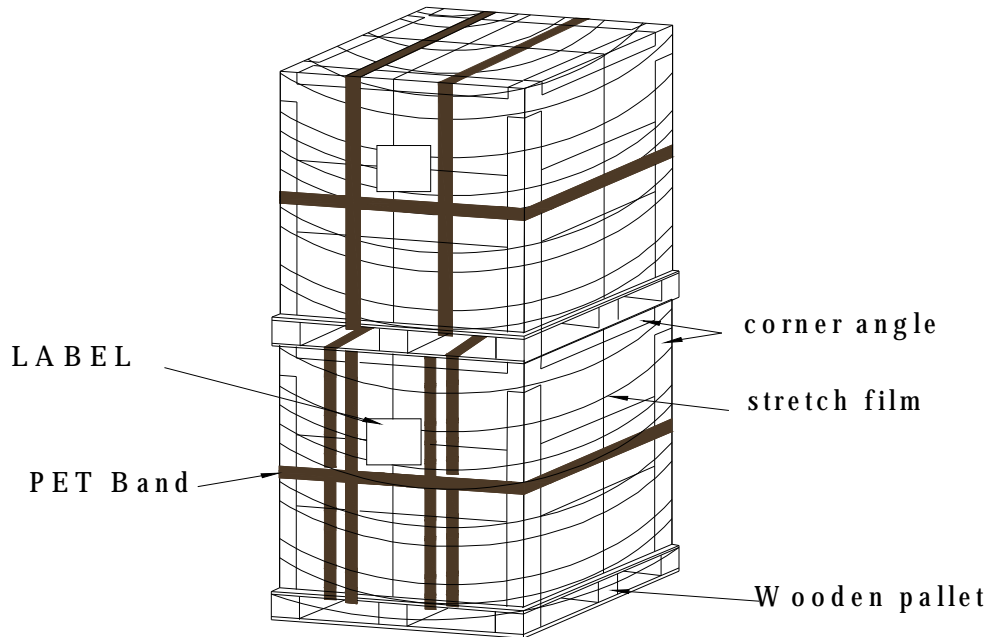
By air cargo: (2 x 1) x 1 layers, one pallet put 2 boxes, total 10 pcs module.

Dimension: 1150 x 1315 x 998mm



By sea: (2 x 1) x 2 layers, one pallet put 2 boxes, stack 2 layers, total 20 pcs module.

Dimension: 1140 x 1315 x 1996mm



Pallet dimension: 1140 x 1315 x 138mm

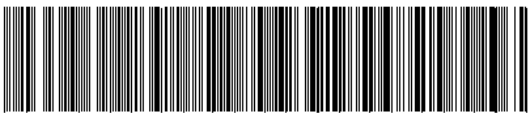




	Item	Specification			Packing Remark
		Qty.	Dimension	Weight (kg)	
1	Packing BOX	5pcs/box	1300(L)mm*560(W)mm*860(H)mm	109	
2	Pallet	1	1300(L)mm*1150(W)mm*138(H)mm	10	
3	Boxes per Pallet	2 boxes/Pallet			
4	Panels per Pallet	10pcs/pallet			
	Pallet after packing	10	1300(L)mm*1150(W)mm*998(H)mm	228	

**Panel Label**

 *XXXXXXXXXXXX-XXXXXX*	Manufactured XX/XX Model No T520HW01 V4 AU Optronics XXXXG	  
 AUXXXXXXXXXXXXXXXXXXXXXX	Made in China (S11)	 

**Carton Label**

AU Optronics MODEL NO: T520HW01 V4 PART NO: 97.52T01.XXX CUSTOMER NO: CARTON NO:	 Made in XXXXXX *XXXXXXXX-XXXXXXXXXX*	  QTY: 5
--	--	--



## 9. Precautions

Please pay attention to the followings when you use this TFT LCD module.

### 9-1 MOUNTING PRECAUTIONS

- (1) You must mount a module using holes arranged on back side of panel
- (2) You should consider the mounting structure so that uneven force (ex. Twisted stress) is not applied to module. And the case on which a module is mounted should have sufficient strength so that external force is not transmitted directly to the module.
- (3) Please attach the surface transparent protective plate to the surface in order to protect the polarizer. Transparent protective plate should have sufficient strength in order to resist external force.
- (4) You should adopt radiation structure to satisfy the temperature specification.
- (5) Acetic acid type and chlorine type materials for the cover case are not desirable because the former generates corrosive gas of attacking the polarizer at high temperature and the latter causes circuit break by electro-chemical reaction.
- (6) Do not touch, push or rub the exposed polarizers with glass, tweezers or anything harder than HB pencil lead. And please do not rub with dust clothes with chemical treatment. Do not touch the surface of polarizer for bare hand or greasy cloth. (Some cosmetics are detrimental to the polarizer.)
- (7) When the surface becomes dusty, please wipe gently with absorbent cotton or other soft materials like chamois soaks with petroleum benzene. Normal-hexane is recommended for cleaning the adhesives used to attach front/ rear polarizers. Do not use acetone, toluene and alcohol because they cause chemical damage to the polarizer.
- (8) Wipe off saliva or water drops as soon as possible. Their long time contact with polarizer causes deformations and color fading.
- (9) Do not open the case because inside circuits do not have sufficient strength.

### 9-2 OPERATING PRECAUTIONS

- (1) The spike noise causes the mis-operation of circuits. It should be lower than following voltage:  
 $V=\pm 200\text{mV}$  (Over and under shoot voltage)
- (2) Response time depends on the temperature. (In lower temperature, it becomes longer.)
- (3) Brightness depends on the temperature. (In lower temperature, it becomes lower.) And in lower temperature, response time (required time that brightness is stable after turned on) becomes longer.
- (4) Be careful for condensation at sudden temperature change. Condensation makes damage to polarizer or electrical contacted parts. And after fading condensation, smear or spot will occur.
- (5) When fixed patterns are displayed for a long time, remnant image is likely to occur.
- (6) Module has high frequency circuits. Sufficient suppression to the electromagnetic interference shall be done by system manufacturers. Grounding and shielding methods may be important to minimize the interface.
- (7) The device listed in the product specification sheets was designed and manufactured for TV application.



### **9-3 ELECTROSTATIC DISCHARGE CONTROL**

Since a module is composed of electronic circuits, it is not strong to electrostatic discharge. Make certain that treatment persons are connected to ground through wrist band etc. And don't touch interface pin directly.

### **9-4 PRECAUTIONS FOR STRONG LIGHT EXPOSURE**

Strong light exposure causes degradation of polarizer and color filter.

### **9-5 STORAGE**

When storing modules as spares for a long time, the following precautions are necessary.

- (1) Store them in a dark place. Do not expose the module to sunlight or fluorescent light. Keep the temperature between 5°C and 35°C at normal humidity.
- (2) The polarizer surface should not come in contact with any other object. It is recommended that they be stored in the container in which they were shipped.

### **9-6 HANDLING PRECAUTIONS FOR PROTECTION FILM FOR TAKE MODULE OUT CARTON**

- (1) 52" module is heavy and not easy handle. Please move out carton with assistant equipment and do not twist the module.

#### **FOR PROTECTION FILM**

- (1) The protection film is attached to the bezel with a small masking tape. When the protection film is peeled off, static electricity is generated between the film and polarizer. This should be peeled off slowly and carefully by people who are electrically grounded and with well ion-blown equipment or in such a condition, etc.
- (2) When the module with protection film attached is stored for a long time, sometimes there remains a very small amount of flue still on the Bezel after the protection film is peeled off.
- (3) You can remove the glue easily. When the glue remains on the Bezel or its vestige is recognized, please wipe them off with absorbent cotton waste or other soft material like chamois soaked with normal-hexane.