

Features

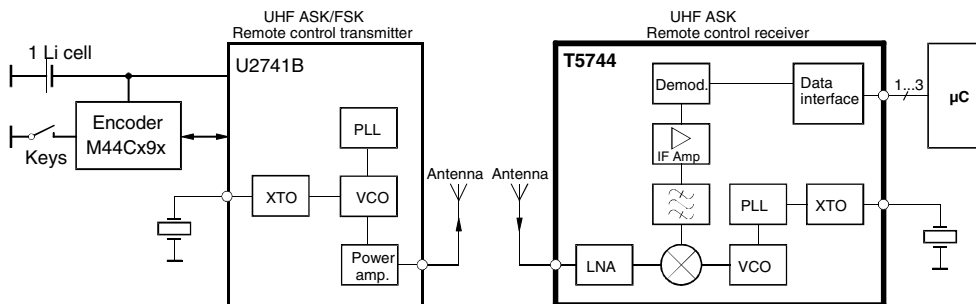
- Minimal External Circuitry Requirements, no RF Components on the PC Board Except Matching to the Receiver Antenna
- High Sensitivity, Especially at Low Data Rates
- SSO20 and SO20 package
- Fully Integrated VCO
- Supply Voltage 4.5 V to 5.5 V, Operating Temperature Range -40°C to 105°C
- Single-ended RF Input for Easy Adaptation to I/4 Antenna or Printed Antenna on PCB
- Low-cost Solution Due to High Integration Level
- Various Types of Protocols Supported (i.e., PWM, Manchester and Biphase)
- Distinguishes the Signal Strength of Several Transmitters via RSSI (Received Signal Strength Indicator)
- ESD Protection According to MIL-STD. 883 (4KV HBM)
- High Image Frequency Suppression Due to 1 MHz IF in Conjunction with a SAW Front-end Filter, up to 40 dB is thereby Achievable with Newer SAWs
- Power Management (Polling) is Possible by Means of a Separate Pin via the Microcontroller
- Receiving Bandwidth BIF = 600 kHz

Description

The T5744 is a PLL receiver device for the receiving range of $f_0 = 300$ MHz to 450 MHz. It is developed for the demands of RF low-cost data communication systems with low data rates and fits for most types of modulation schemes including Manchester, Biphase and most PWM protocols. Its main applications are in the areas of telemetering, security technology and keyless-entry systems.

www.DataSheet4U.com

Figure 1. System Block Diagram



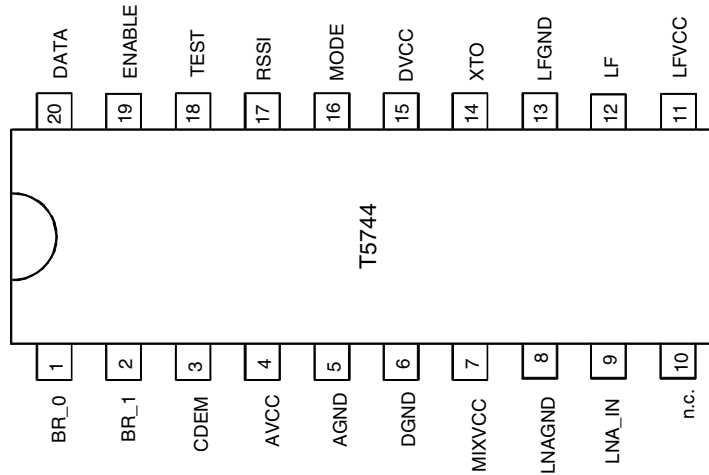
UHF ASK Receiver

T5744



Pin Configuration

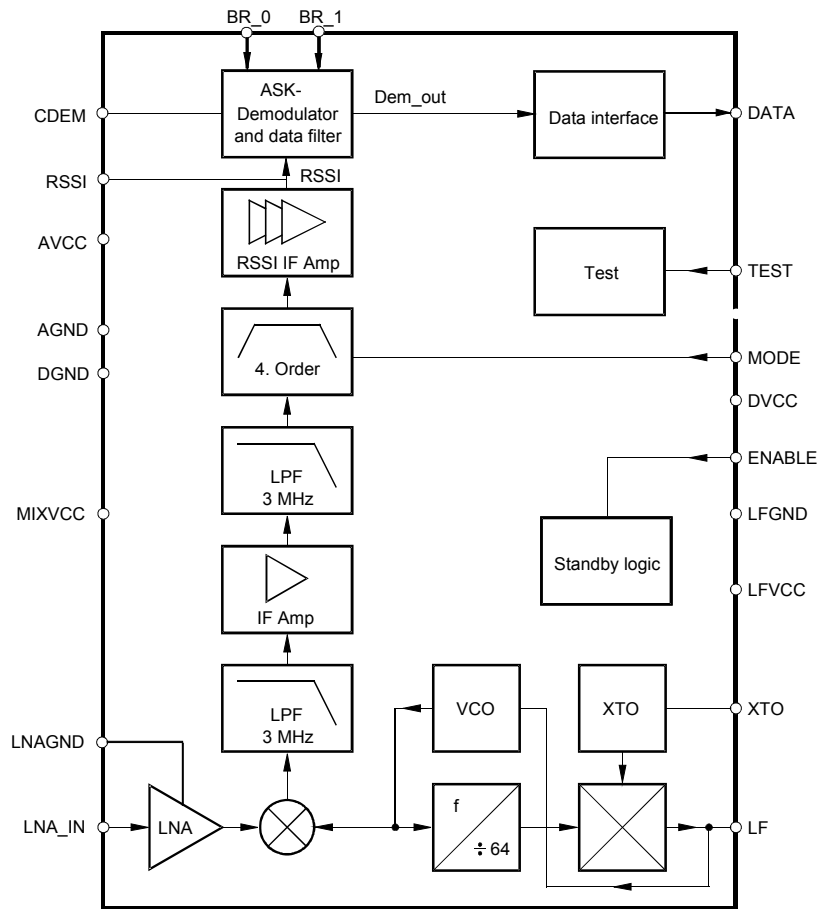
Figure 2. Pinning SO20 and SSO20



Pin Description

Pin	Symbol	Function
1	BR_0	Baud rate select LSB
2	BR_1	Baud rate select MSB
3	CDEM	Lower cut-off frequency data filter
4	AVCC	Analog power supply
5	AGND	Analog ground
6	DGND	Digital ground
7	MIXVCC	Power supply mixer
8	LNAGND	High-frequency ground LNA and mixer
9	LNA_IN	RF input
10	n.c.	Not connected
11	LFVCC	Power supply VCO
12	LF	Loop filter
13	LFGND	Ground VCO
14	XTO	Crystal oscillator
15	DVCC	Digital power supply
16	MODE	Selecting 433.92 MHz /315 MHz Low: 315 MHz (USA) High: 433.92 MHz (Europe)
17	RSSI	Output of the RSSI amplifier
18	TEST	Test pin, during operation at GND
19	ENABLE	Selecting operation mode Low: sleep mode High: receiving mode
20	DATA	Data output

Figure 3. Block Diagram



RF Front End

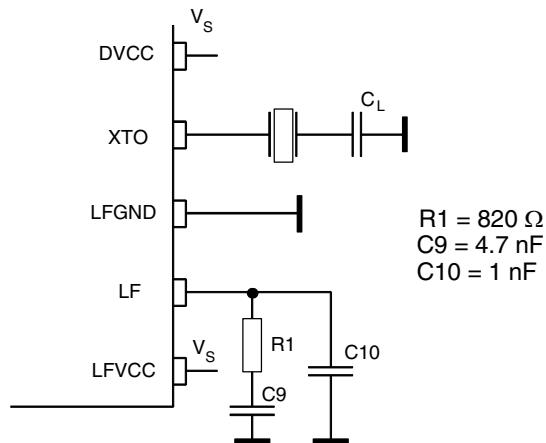
The RF front end of the receiver is a heterodyne configuration that converts the input signal into a 1-MHz IF signal. According to Figure 3, the front end consists of an LNA (Low-Noise Amplifier), LO (Local Oscillator), a mixer and RF amplifier.

The LO generates the carrier frequency for the mixer via a PLL synthesizer. The XTO (crystal oscillator) generates the reference frequency f_{XTO} . The VCO (Voltage-Controlled Oscillator) generates the drive voltage frequency f_{LO} for the mixer. f_{LO} is dependent on the voltage at Pin LF. f_{LO} is divided by factor 64. The divided frequency is compared to f_{XTO} by the phase frequency detector. The current output of the phase frequency detector is connected to a passive loop filter and thereby generates the control voltage VLF for the VCO. By means of that configuration, VLF is controlled in a way that $f_{LO}/64$ is equal to f_{XTO} . If f_{LO} is determined, f_{XTO} can be calculated using the following formula:

$$f_{XTO} = f_{LO}/64$$

The XTO is a one-pin oscillator that operates at the series resonance of the quartz crystal. According to Figure 4, the crystal should be connected to GND via a capacitor CL. The value of that capacitor is recommended by the crystal supplier. The value of CL should be optimized for the individual board layout to achieve the exact value of f_{XTO} and hereby of f_{LO} . When designing the system in terms of receiving bandwidth, the accuracy of the crystal and the XTO must be considered.

Figure 4. PLL Peripherals



The passive loop filter connected to Pin LF is designed for a loop bandwidth of $B_{\text{Loop}} = 100 \text{ kHz}$. This value for B_{Loop} exhibits the best possible noise performance of the LO. Figure 4 shows the appropriate loop filter components to achieve the desired loop bandwidth

f_{LO} is determined by the RF input frequency f_{RF} and the IF frequency f_{IF} using the following formula:

$$f_{\text{LO}} = f_{\text{RF}} - f_{\text{IF}}$$

To determine f_{LO} , the construction of the IF filter must be considered at this point. The nominal IF frequency is $f_{\text{IF}} = 1 \text{ MHz}$. To achieve a good accuracy of the filter's corner frequencies, the filter is tuned by the crystal frequency f_{XTO} . This means that there is a fixed relation between f_{IF} and f_{LO} that depends on the logic level at pin mode. This is described by the following formulas:

$$\text{MODE} = 0 \text{ USA } f_{\text{IF}} = f_{\text{LO}}/314$$

$$\text{MODE} = 1 \text{ Europe } f_{\text{IF}} = f_{\text{LO}}/432.92$$

The relation is designed to achieve the nominal IF frequency of $f_{\text{IF}} = 1 \text{ MHz}$ for most applications. For applications where $f_{\text{RF}} = 315 \text{ MHz}$, MODE must be set to '0'. In the case of $f_{\text{RF}} = 433.92 \text{ MHz}$, MODE must be set to '1'. For other RF frequencies, f_{IF} is not equal to 1 MHz. f_{IF} is then dependent on the logical level at Pin MODE and on f_{RF} . Table 1 summarizes the different conditions.

The RF input either from an antenna or from a generator must be transformed to the RF input Pin LNA_IN. The input impedance of that pin is provided in the electrical parameters. The parasitic board inductances and capacitances also influence the input matching. The RF receiver T5744 exhibits its highest sensitivity at the best signal-to-noise ratio in the LNA. Hence, noise matching is the best choice for designing the transformation network.

A good practice when designing the network, is to start with power matching. From that starting point, the values of the components can be varied to some extent to achieve the best sensitivity.

If a SAW is implemented into the input network a mirror frequency suppression of $\Delta P_{\text{Ref}} = 40 \text{ dB}$ can be achieved. There are SAWs available that exhibit a notch at $\Delta f = 2 \text{ MHz}$. These SAWs work best for an intermediate frequency of $\text{IF} = 1 \text{ MHz}$. The selectivity of the receiver is also improved by using a SAW. In typical automotive applications, a SAW is used.

Figure 5 shows a typical input matching network for $f_{RF} = 315$ MHz and $f_{RF} = 433.92$ MHz using a SAW. Figure 6 illustrates the input matching to 50Ω without a SAW. The input matching networks shown in Figure 6 are the reference networks for the parameters given in the electrical characteristics.

Table 1. Calculation of LO and IF Frequency

Conditions	Local Oscillator Frequency	Intermediate Frequency
$f_{RF} = 315$ MHz, MODE = 0	$f_{LO} = 314$ MHz	$f_{IF} = 1$ MHz
$f_{RF} = 433.92$ MHz, MODE = 1	$f_{LO} = 432.92$ MHz	$f_{IF} = 1$ MHz
300 MHz < f_{RF} < 365 MHz, MODE = 0	$f_{LO} = \frac{f_{RF}}{1 + \frac{1}{314}}$	$f_{IF} = \frac{f_{LO}}{314}$
365 MHz < f_{RF} < 450 MHz, MODE = 1	$f_{LO} = \frac{f_{RF}}{1 + \frac{1}{432.92}}$	$f_{IF} = \frac{f_{LO}}{432.92}$

Figure 5. Input Matching Network with SAW Filter

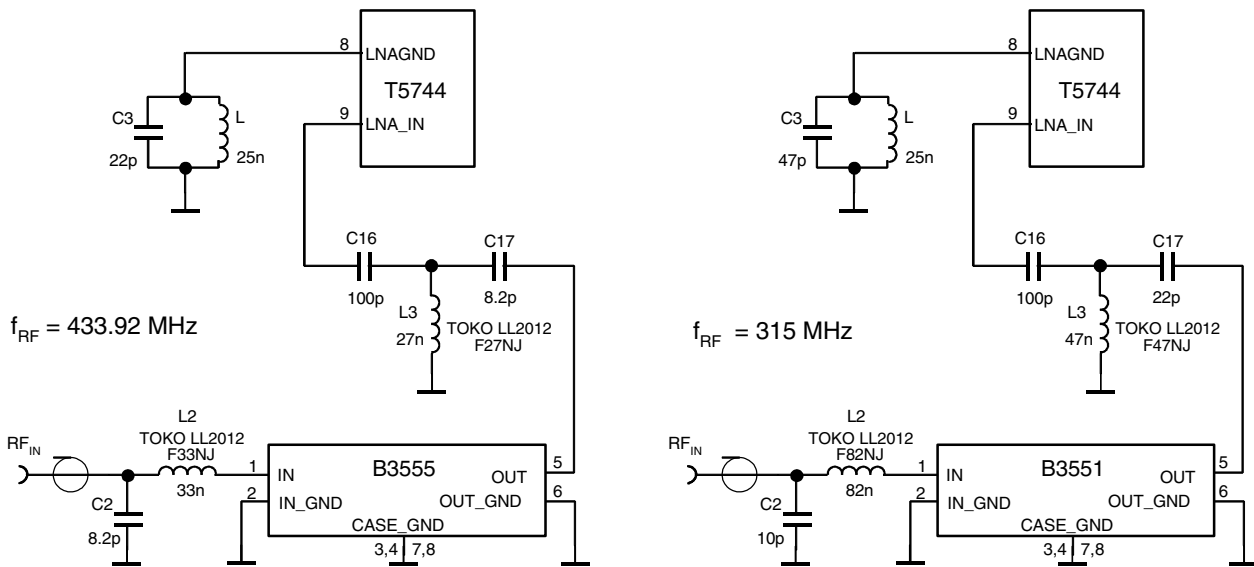
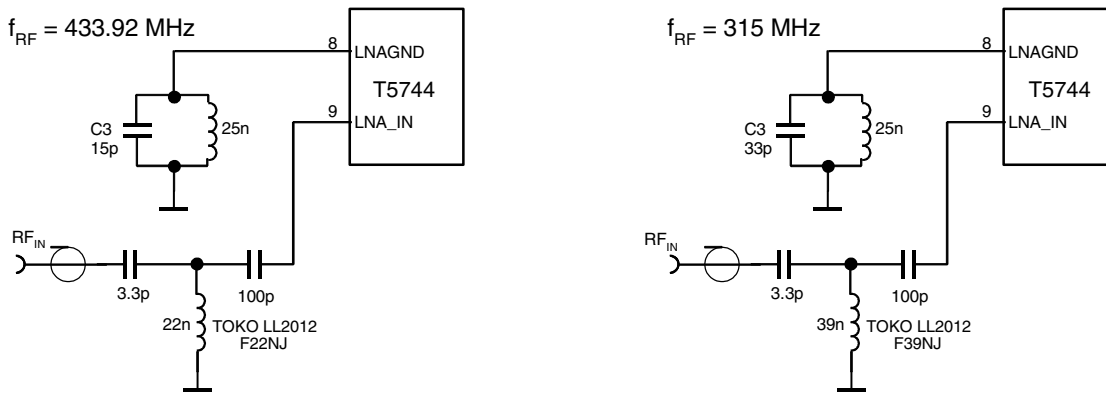


Figure 6. Input Matching Network without SAW Filter



Please note that for all coupling conditions (see Figure 5 and Figure 6), the bond wire inductivity of the LNA ground is compensated. C3 forms a series resonance circuit together with the bond wire. L = 25 nH is a feed inductor to establish a DC path. Its value is not critical but must be large enough not to detune the series resonance circuit. For cost reduction, this inductor can be easily printed on the PCB. This configuration improves the sensitivity of the receiver by about 1 dB to 2 dB.

Analog Signal Processing

IF Amplifier

The signals coming from the RF front end are filtered by the fully integrated 4th-order IF filter. The IF center frequency is $f_{IF} = 1$ MHz for applications where $f_{RF} = 315$ MHz or $f_{RF} = 433.92$ MHz is used. For other RF input frequencies, refer to Table 1 to determine the center frequency.

The receiver T5744 employs an IF bandwidth of $B_{IF} = 600$ kHz and can be used together with the U2741B in ASK mode.

RSSI Amplifier

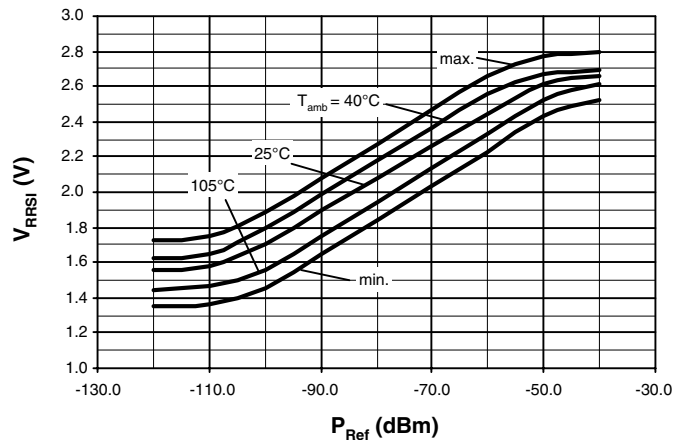
The subsequent RSSI amplifier enhances the output signal of the IF amplifier before it is fed into the demodulator. The dynamic range of this amplifier is $DR_{RSSI} = 60$ dB. If the RSSI amplifier is operated within its linear range, the best S/N ratio is maintained. If the dynamic range is exceeded by the transmitter signal, the S/N ratio is defined by the ratio of the maximum RSSI output voltage and the RSSI output voltage due to a disturber. The dynamic range of the RSSI amplifier is exceeded if the RF input signal is about 60 dB higher compared to the RF input signal at full sensitivity.

Pin RSSI

The output voltage of the RSSI amplifier (V_{RSSI}) is available at Pin RSSI. Using the RSSI output signal, the signal strength of different transmitters can be distinguished. The usable input power range P_{Ref} is -100 dBm to -55 dBm.

Since different RF input networks may exhibit slightly different values for the LNA gain, the sensitivity values given in the electrical characteristics refer to a specific input matching. This matching is illustrated in Figure 6 and exhibits the best possible sensitivity.

Figure 7. RSSI Characteristics



ASK Demodulator and Data Filter

The signal coming from the RSSI amplifier is converted into the raw data signal by the ASK demodulator.

An automatic threshold control circuit (ATC) is employed to set the detection reference voltage to a value where a good signal-to-noise ratio is achieved. This circuit also implies the effective suppression of any kind of inband noise signals or competing transmitters. If the S/N ratio exceeds 10 dB, the data signal can be detected properly.

The output signal of the demodulator is filtered by the data filter before it is fed into the digital signal processing circuit. The data filter improves the S/N ratio as its passband can be adopted to the characteristics of the data signal. The data filter consists of a 1st-order highpass and a 1st-order lowpass filter.

The highpass filter cut-off frequency is defined by an external capacitor connected to Pin CDEM. The cut-off frequency of the highpass filter is defined by the following formula:

$$f_{cu_DF} = \frac{1}{2 \times \pi \times R_1 \times CDEM}$$

Recommended values for CDEM are given in the electrical characteristics.

The cut-off frequency of the lowpass filter is defined by the selected baudrate range (BR_Range). BR_Range is defined by the Pins BR_0 and BR_1. BR_Range must be set in accordance to the used baudrate.

BR_1	BR_0	BR_Range
0	0	0
0	1	1
1	0	2
1	1	2

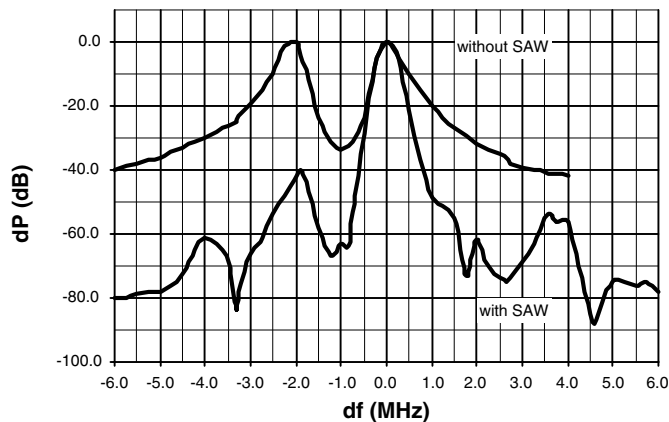
Each BR_Range is defined by a minimum and a maximum edge-to-edge time (tee_sig). These limits are defined in the electrical characteristics. They should not be exceeded to maintain full sensitivity of the receiver.

Receiving Characteristics

The RF receiver T5744 can be operated with and without a SAW front-end filter. In a typical automotive application, a SAW filter is used to achieve better selectivity. The selectivity with and without a SAW front-end filter is illustrated in Figure 7. Note that the mirror frequency is reduced by 40 dB. The plots are printed relatively to the maximum sensitivity. If a SAW filter is used, an insertion loss of about 4 dB must be considered.

When designing the system in terms of receiving bandwidth, the LO deviation must be considered as it also determines the IF center frequency. The total LO deviation is calculated to be the sum of the deviation of the crystal and the XTO deviation of the T5744. Low-cost crystals are specified to be within ± 100 ppm. The XTO deviation of the T5744 is an additional deviation due to the XTO circuit. This deviation is specified to be ± 30 ppm. If a crystal of ± 100 ppm is used, the total deviation is ± 130 ppm in that case. Note that the receiving bandwidth and the IF-filter bandwidth are equivalent.

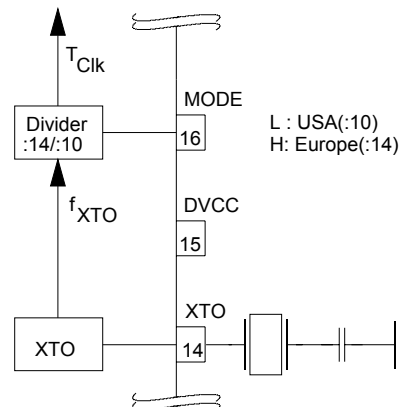
Figure 8. Receiving Frequency Response



Basic Clock Cycle of the Digital Circuitry

The complete timing of the digital circuitry and the analog filtering is derived from one clock. According to Figure 9, this clock cycle T_{Clk} is derived from the crystal oscillator (XTO) in combination with a divider. The division factor is controlled by the logical state at Pin MODE. According to chapter 'RF Front End', the frequency of the crystal oscillator (f_{XTO}) is defined by the RF input signal (f_{RFIn}) which also defines the operating frequency of the local oscillator (f_{LO}).

Figure 9. Generation of the Basic Clock Cycle



Pin MODE can now be set in accordance with the desired clock cycle T_{Clk} . T_{Clk} controls the following application-relevant parameters:

Timing of the analog and digital signal processing

IF filter center frequency (f_{IF0})

Most applications are dominated by two transmission frequencies: $f_{\text{Send}} = 315$ MHz is mainly used in USA, $f_{\text{Send}} = 433.92$ MHz in Europe. In order to ease the usage of all T_{Clk} -dependent parameters, the electrical characteristics display three conditions for each parameter.

- Application USA
($f_{\text{XTO}} = 4.90625$ MHz, MODE = L, $T_{\text{Clk}} = 2.0383$ μs)
- Application Europe
($f_{\text{XTO}} = 6.76438$ MHz, MODE = H, $T_{\text{Clk}} = 2.0697$ μs)
- Other applications
(T_{Clk} is dependent on f_{XTO} and on the logical state of Pin MODE. The electrical characteristic is given as a function of T_{Clk}).

The clock cycle of some function blocks depends on the selected baud rate range (BR_Range) which is defined by the Pins BR_0 and BR_1. This clock cycle T_{XClk} is defined by the following formulas for further reference:

$$\begin{aligned} \text{BR_Range} = \text{BR_Range0: } & T_{\text{XClk}} = 8 \times T_{\text{Clk}} \\ \text{BR_Range1: } & T_{\text{XClk}} = 4 \times T_{\text{Clk}} \\ \text{BR_Range2: } & T_{\text{XClk}} = 2 \times T_{\text{Clk}} \\ \text{BR_Range3: } & T_{\text{XClk}} = 1 \times T_{\text{Clk}} \end{aligned}$$

Pin ENABLE

Via the Pin ENABLE the operating mode of the receiver can be selected (see Figure 10 and Figure 11).

If the Pin ENABLE is held to Low, the receiver remains in sleep mode. All circuits for signal processing are disabled and only the XTO is running in that case. The current consumption is $I_{\text{S}} = I_{\text{Soff}}$ in that case. During the sleep mode the receiver is not sensitive to a transmitter signal.

To activate the receiver, the Pin ENABLE must be held to High. During the start-up period, T_{Startup} , all signal processing circuits are enabled and settled. The duration of the start-up period depends on the selected baud-rate range (BR_Range).

After the start-up period, all circuits are in a stable condition and the receiver is in the receiving mode.

In receiving mode, the internal data signal (Dem_out) is switched to Pin DATA. To avoid incorrect timing at the begin of the data stream, the begin is synchronized to a falling edge of the incoming data signal. The receiver stays in the receiving mode until it is switched back to sleep mode via Pin ENABLE.

During start-up and receiving mode, the current consumption is $I_{\text{S}} = I_{\text{Son}}$.

Figure 10. Enable Timing (1)

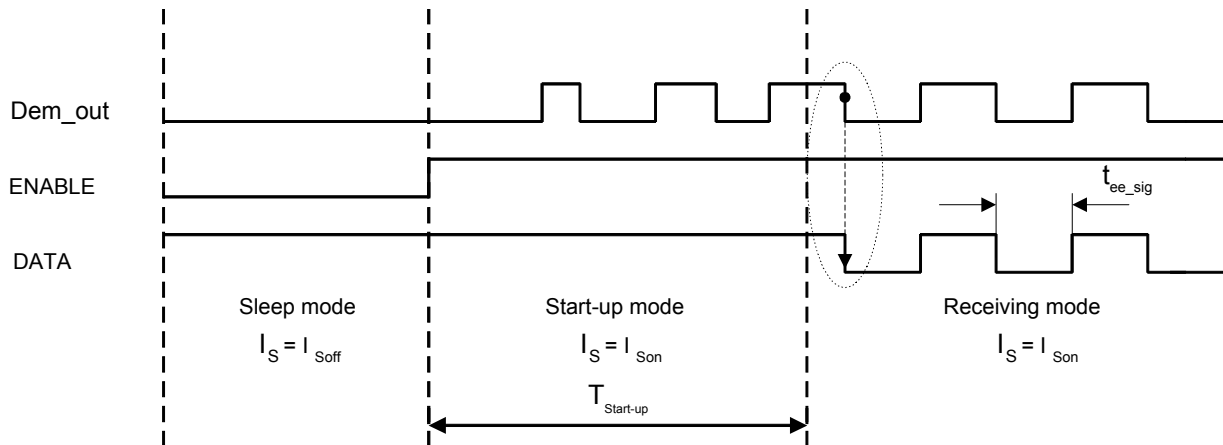
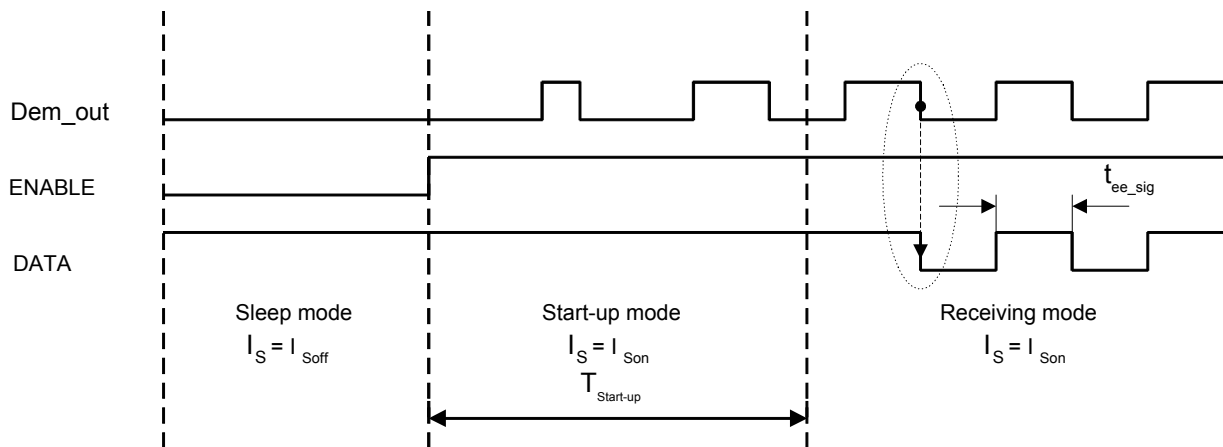


Figure 11. Enable Timing (2)



Digital Signal Processing

The data from the ASK demodulator (Dem_out) is digitally processed in different ways and as a result converted into the output signal DATA. This processing depends on the selected baudrate range (BR_Range). Figure 12 illustrates how Dem_out is synchronized by the extended basic clock cycle T_{XClk} . Data can change its state only after T_{XClk} has elapsed. The edge-to-edge time period t_{ee_sig} of the DATA signal as a result is always an integral multiple of T_{XClk} .

The minimum time period between two edges of the data signal is limited to $t_{ee_sig} \geq T_{DATA_min}$. This implies an efficient suppression of spikes at the DATA output. At the same time it limits the maximum frequency of edges at DATA. This eases the interrupt handling of a connected microcontroller.

Figure 12. Synchronization of the Demodulator Output

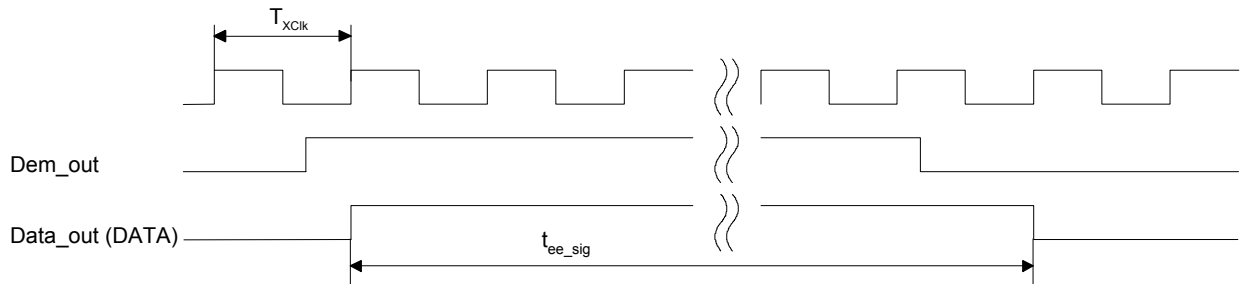
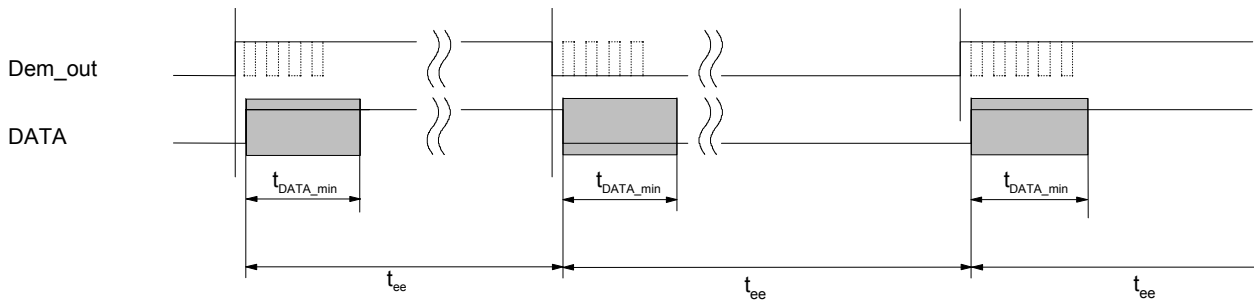


Figure 13. Debouncing of the Demodulator Output



Absolute Maximum Ratings

Parameters	Symbol	Min.	Max.	Unit
Supply voltage	V_S		6	V
Power dissipation	P_{tot}		450	mW
Junction temperature	T_j		150	°C
Storage temperature	T_{stg}	-55	+125	°C
Ambient temperature	T_{amb}	-40	+105	°C
Maximum input level, input matched to 50 Ω	P_{in_max}		10	dBm

Thermal Resistance

Parameters	Symbol	Value	Unit
Junction ambient SO20 package	R_{thJA}	100	K/W
Junction ambient SSO20 package	R_{thJA}	100	K/W

Electrical Characteristics

All parameters refer to GND, $T_{amb} = -40^{\circ}\text{C}$ to $+105^{\circ}\text{C}$, $V_S = 4.5\text{ V}$ to 5.5 V , $f_0 = 433.92\text{ MHz}$ and $f_0 = 315\text{ MHz}$, unless otherwise specified. ($V_S = 5\text{ V}$, $T_{amb} = 25^{\circ}\text{C}$)

Parameters	Test Conditions	Symbol	6.76438 MHz Osc. (MODE:1)			4.90625 MHz Osc. (MODE:0)			Variable Oscillator			Unit
			Min.	Typ.	Max.	Min.	Typ.	Max.	Min.	Typ.	Max.	
Basic Clock Cycle of the Digital Circuitry												
Basic clock cycle	MODE = 0 (USA) MODE = 1 (Europe)	T_{Clk}	2.0697		2.0697	2.0383		2.0383	$1/(f_{xto}/10)$ $1/(f_{xto}/14)$		$1/(f_{xto}/10)$ $1/(f_{xto}/14)$	μs μs
Extended basic clock cycle	BR_Range0	T_{XClk}	16.6		16.6	16.3		16.3	$8 \times T_{Clk}$		$8 \times T_{Clk}$	μs
	BR_Range1		8.3		8.3	8.2		8.2	$4 \times T_{Clk}$		$4 \times T_{Clk}$	μs
	BR_Range2		4.1		4.1	4.1		4.1	$2 \times T_{Clk}$		$2 \times T_{Clk}$	μs
	BR_Range3		2.1		2.1	2.0		2.0	$1 \times T_{Clk}$		$1 \times T_{Clk}$	μs
Start-up time (see Figure 10 and Figure 11)	BR_Range0	$T_{Startup}$	1855		1855	1827		1827	896.5		896.5	μs
	BR_Range1		1061		1061	1045		1045	512.5		512.5	μs
	BR_Range2		1061		1061	1045		1045	512.5		512.5	μs
	BR_Range3		663		663	653		653	$320.5 \times T_{Clk}$		$320.5 \times T_{Clk}$	μs
Receiving Mode												
Intermediate frequency	MODE=0 (USA) MODE=1 (Europe)	f_{IF}		1.0			1.0		$f_{XTO} \times 64 / 314$ $f_{XTO} \times 64 / 432.92$			MHz MHz
Minimum time period between edges at Pin DATA	BR_Range0	T_{DATA_min}	165		165	163		163	$10 \times T_{XClk}$		$10 \times T_{XClk}$	μs
	BR_Range1		83		83	81		81	$10 \times T_{XCl}$		$10 \times T_{XCl}$	μs
	BR_Range2		41.4		41.4	40.7		40.7	$10 \times T_{XClk}$		$10 \times T_{XClk}$	μs
	BR_Range3 (Figure 13)		20.7		20.7	20.4		20.4	$10 \times T_{XClk}$		$10 \times T_{XClk}$	μs
Edge to edge time period of the data signal for full sensitivity	BR_Range0	t_{ee_sig}	400		8479	400		8350	$BR_Range \times 2 \mu\text{s}/T_{CLK}$		$4097 \times T_{CLK}$	μs
	BR_Range1		200		8479	200		8350		μs		
	BR_Range2		100		8479	100		8350		μs		
	BR_Range3 (Figure 10)		50		8479	50		8350		μs		

Electrical Characteristics (continued)

Parameters	Test Conditions	Symbol	Min.	Typ.	Max.	Unit
Current consumption	Sleep mode (XTO active)	I_{Soff}		190	276	μA
	IC active (startup-, receiving mode) Pin DATA = H	I_{Son}		7.1	8.7	mA
LNA Mixer						
Third-order intercept point	LNA/ mixer/ IF amplifier input matched according to Figure 6	IIP3		-28		dBm
LO spurious emission at RF_{in}	Input matched according to Figure 6, required according to I-ETS 300220	$I_{S_{LORF}}$		-73	-57	dBm
Noise figure LNA and mixer (DSB)	Input matching according to Figure 6	NF		7		dB
LNA_IN input impedance	at 433.92 MHz at 315 MHz	$Z_{i_{LNA_IN}}$		1.0 1.56 1.3 1.0		k Ω pF k Ω pF
1 dB compression point (LNA, mixer, IF amplifier)	Input matched according to Figure 6, referred to RF_{in}	IP_{1db}		-40		dBm

Electrical Characteristics (continued)

Parameters	Test Conditions	Symbol	Min.	Typ.	Max.	Unit
Maximum input level	Input matched according to Figure 6, BER $\leq 10^{-3}$	P_{in_max}			-20	dBm
Local Oscillator						
Operating frequency range VCO		f_{VCO}	299		449	MHz
Phase noise VCO / LO	$f_{osc} = 432.92$ MHz at 1 MHz at 10 MHz	L (fm)		-93 -113	-90 -110	dBc/Hz dBc/Hz
Spurious of the VCO	at $\pm f_{XTO}$			-55	-47	dBc
VCO gain		K_{VCO}		190		MHz/V
Loop bandwidth of the PLL	For best LO noise (design parameter) R1 = 820 Ω C9 = 4.7 nF C10 = 1 nF	B_{Loop}		100		kHz
Capacitive load at Pin LF		C_{LF_tot}			10	nF
XTO operating frequency	XTO crystal frequency, appropriate load capacitance must be connected to XTAL $f_{XTAL} = 6.764375$ MHz (EU) $f_{XTAL} = 4.90625$ MHz (US)	f_{XTO}	6.764375 -30 ppm 4.90625 -30 ppm	6.764375 4.90625	6.764375 +30 ppm 4.90625 +30 ppm	MHz MHz
Series resonance resistor of the crystal	$f_{XTO} = 6.764$ MHz 4.906 MHz	R_S			150 220	Ω Ω
Static capacitance of the crystal		C_o			6.5	pF
Analog Signal Processing						
Input sensitivity	Input matched according to Figure 6 ASK (level of carrier) BER $\leq 10^{-3}$ (Manchester), $f_{in} = 433.92$ MHz/ 315 MHz T = 25°C, $V_S = 5$ V, $f_{IF} = 1$ MHz	P_{Ref_ASK}				
	BR_Range0 (1 kBd)		-107	-110	-112	dBm
	BR_Range1 (2 kBd)		-105	-108	-110	dBm
	BR_Range2 (4 kBd)		-103	-106	-108	dBm
	BR_Range3 (8 kBd)		-101	-104	-106	dBm
Sensitivity variation for the full operating range compared to $T_{amb} = 25^\circ\text{C}$, $V_S = 5$ V	$f_{in} = 433.92$ MHz/ 315 MHz $f_{IF} = 1$ MHz $P_{ASK} = P_{Ref_ASK} + DP_{Ref}$	ΔP_{Ref}	+2.5		-1.5	dB
Sensitivity variation for full operating range including IF filter compared to $T_{amb} = 25^\circ\text{C}$, $V_S = 5$ V	$f_{in} = 433.92$ MHz/ 315 MHz $f_{IF} = 0.79$ MHz to 1.21 MHz $f_{IF} = 0.73$ MHz to 1.27 MHz $P_{ASK} = P_{Ref_ASK} + DP_{Ref}$	ΔP_{Ref}	+5.5 +7.5		-1.5 -1.5	dB dB
S/N ratio to suppress inband noise signals		SNR		10	12	dB

Electrical Characteristics (continued)

Parameters	Test Conditions	Symbol	Min.	Typ.	Max.	Unit
Dynamic range RSSI amplifier		DR_{RSSI}		60		dB
RSSI output voltage range		V_{RSSI}	1.0		3.0	V
RSSI gain		G_{RSSI}		20		mV/dB
RI of Pin CDEM for cut-off frequency calculation	$f_{cu_DF} = \frac{1}{2 \times \pi \times R_1 \times CDEM}$	R_1	28	40	55	k Ω
Recommended CDEM for best performance	BR_Range0 BR_Range1 BR_Range2 BR_Range3	CDEM		33 18 10 6.8		nF nF nF nF
Upper cut-off frequency data filter	Upper cut-off frequency BR_Range0 BR_Range1 BR_Range2 BR_Range3	f_u	1.75 3.5 7.0 14.0	2.2 4.4 8.8 17.6	2.65 5.3 10.6 21.2	kHz kHz kHz kHz
Digital Ports						
Data output - Saturation voltage LOW - Internal pull-up resistor	$I_{ol} = 1 \text{ mA}$	V_{OI} R_{Pup}	39	0.08 50	0.3 65	V k Ω
ENABLE input - Low-level input voltage - High-level input voltage	Sleep mode Receiving mode	V_{ll} V_{lh}	$0.8 \times V_S$		$0.2 \times V_S$	V V
MODE input - Low-level input voltage - High-level input voltage	Division factor = 10 Division factor = 14	V_{ll} V_{lh}	$0.8 \times V_S$		$0.2 \times V_S$	V V
BR_0 input - Low-level input voltage - High-level input voltage		V_{ll} V_{lh}	$0.8 \times V_S$		$0.2 \times V_S$	V V
BR_1 input - Low-level input voltage - High-level input voltage		V_{ll} V_{lh}	$0.8 \times V_S$		$0.2 \times V_S$	V V
TEST input - Low-level input voltage	Test input must always be set to LOW	V_{ll}			$0.2 \times V_S$	V

Figure 14. Application Circuit: $f_{RF} = 433.92 \text{ MHz}$, without SAW Filter

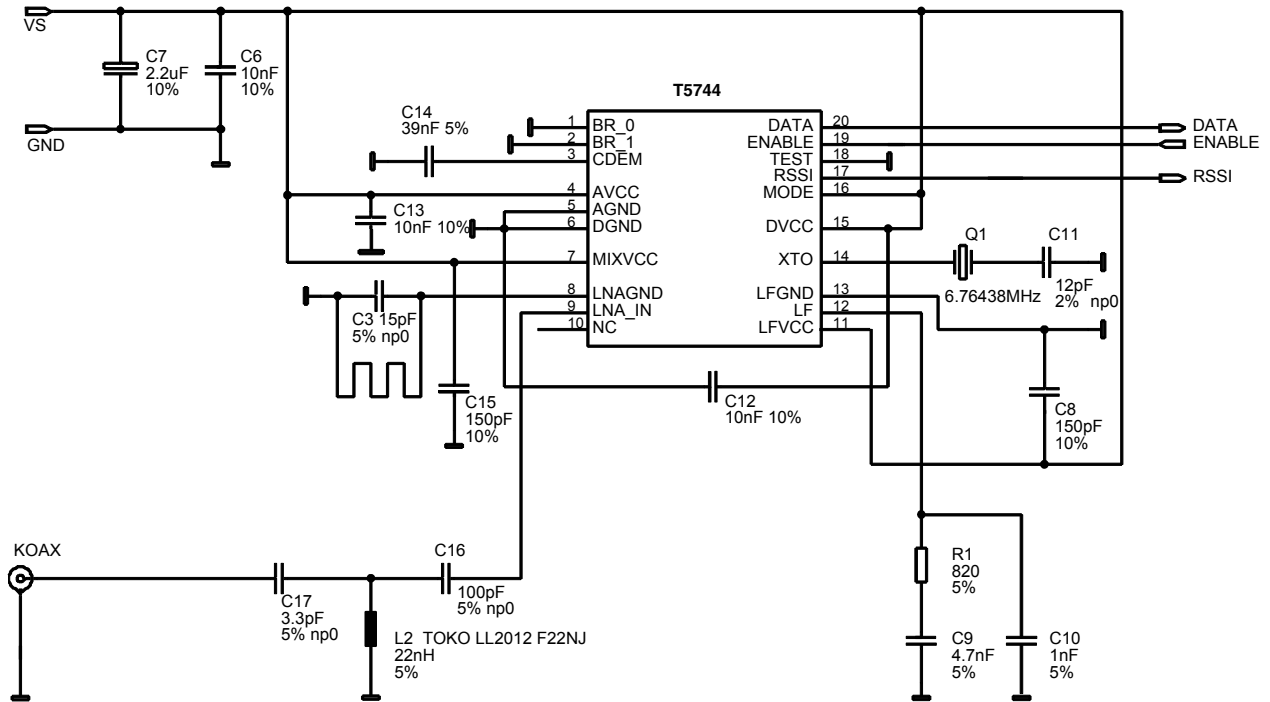


Figure 15. Application Circuit: $f_{RF} = 315 \text{ MHz}$, without SAW Filter

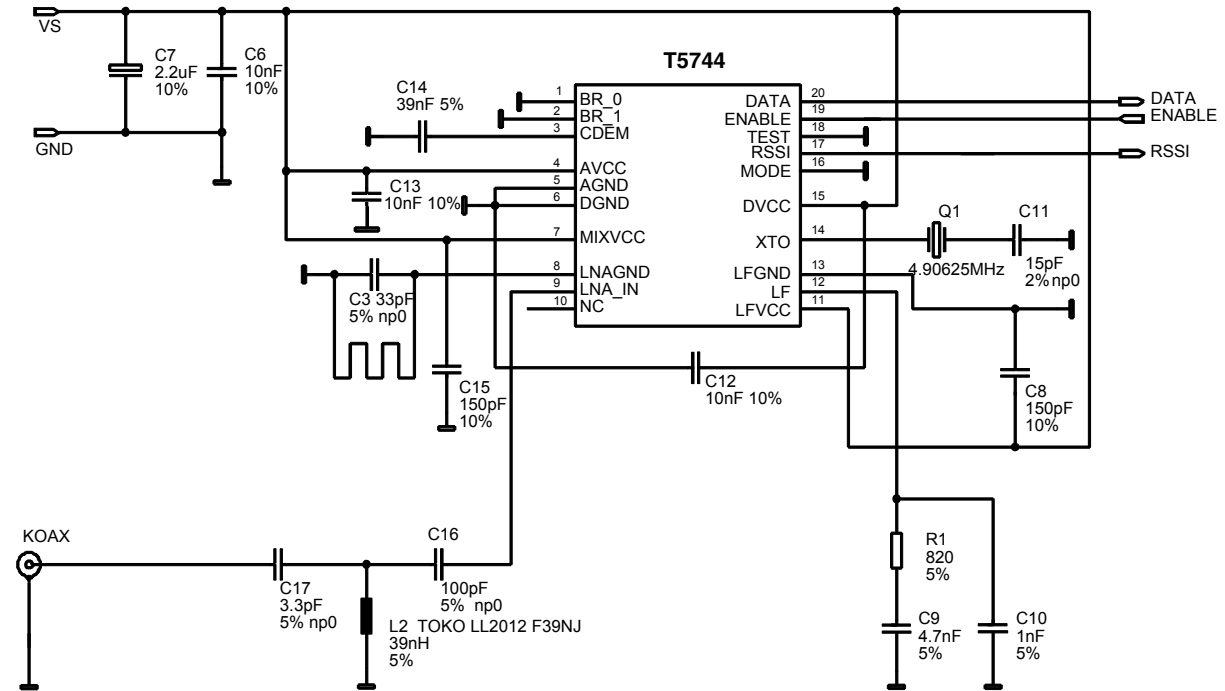


Figure 16. Application Circuit: $f_{RF} = 433.92 \text{ MHz}$, with SAW Filter

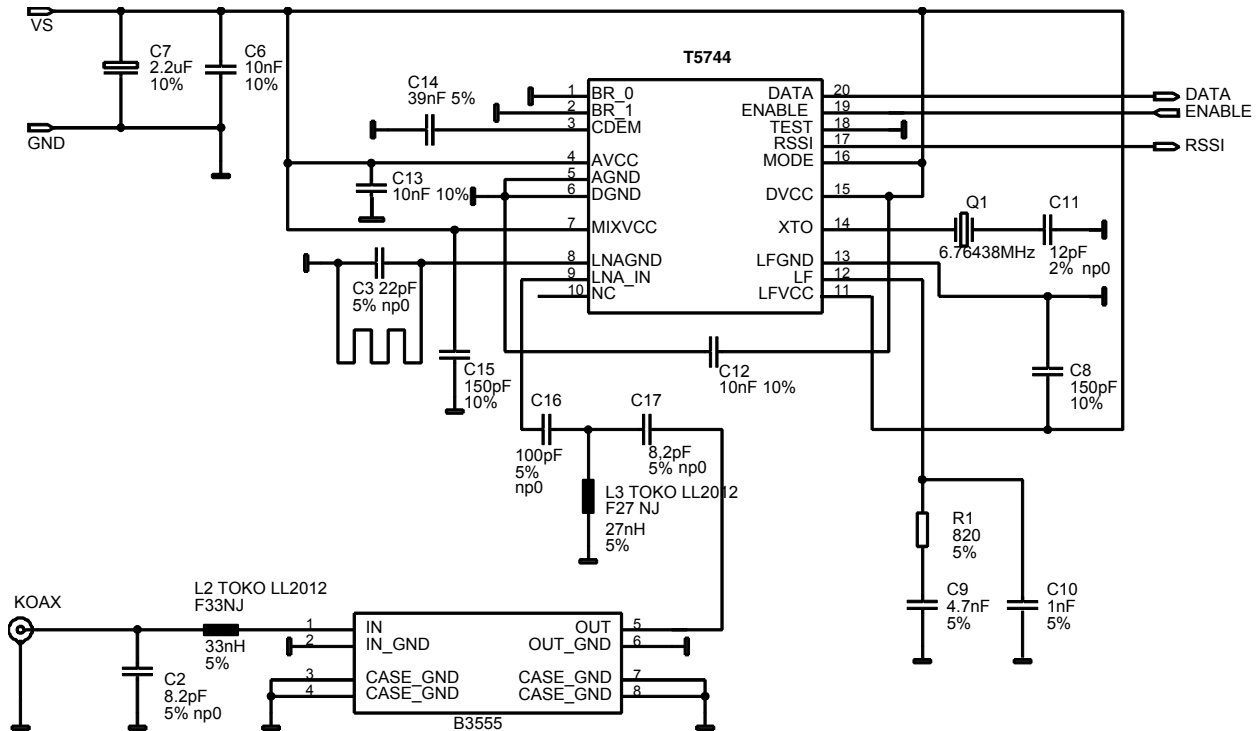
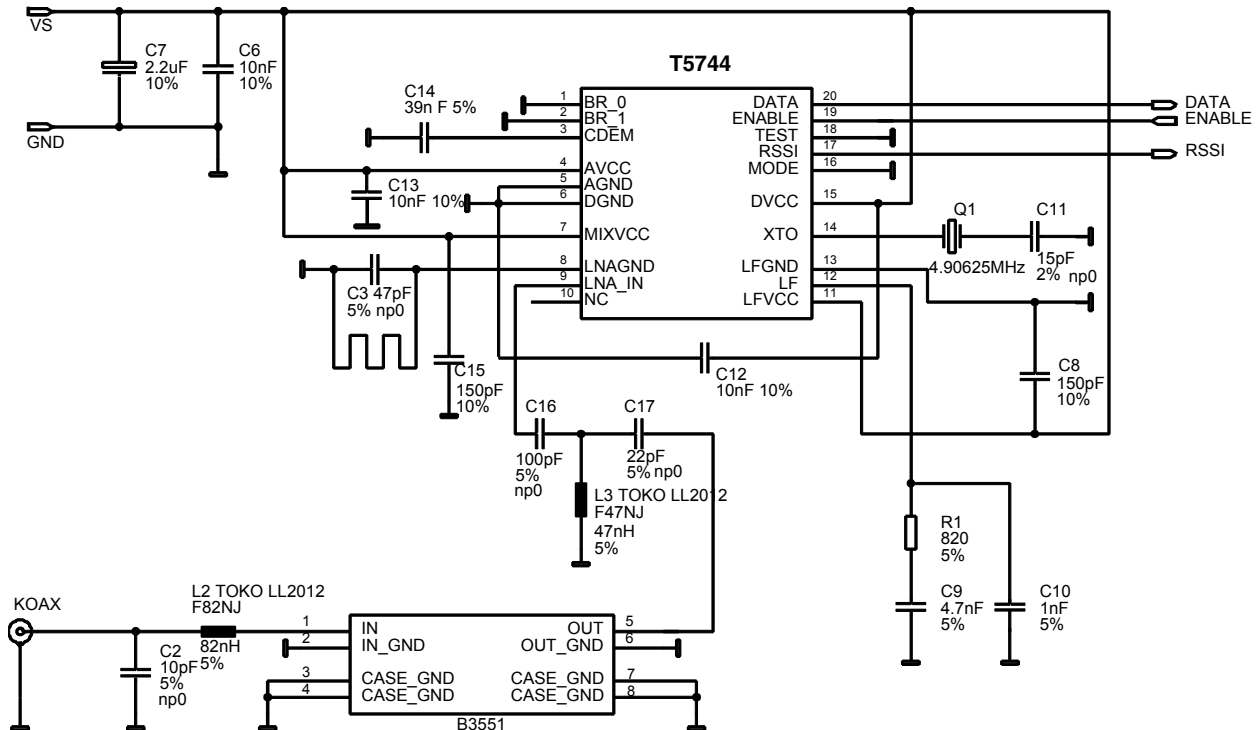


Figure 17. Application Circuit: $f_{RF} = 315 \text{ MHz}$, with SAW Filter



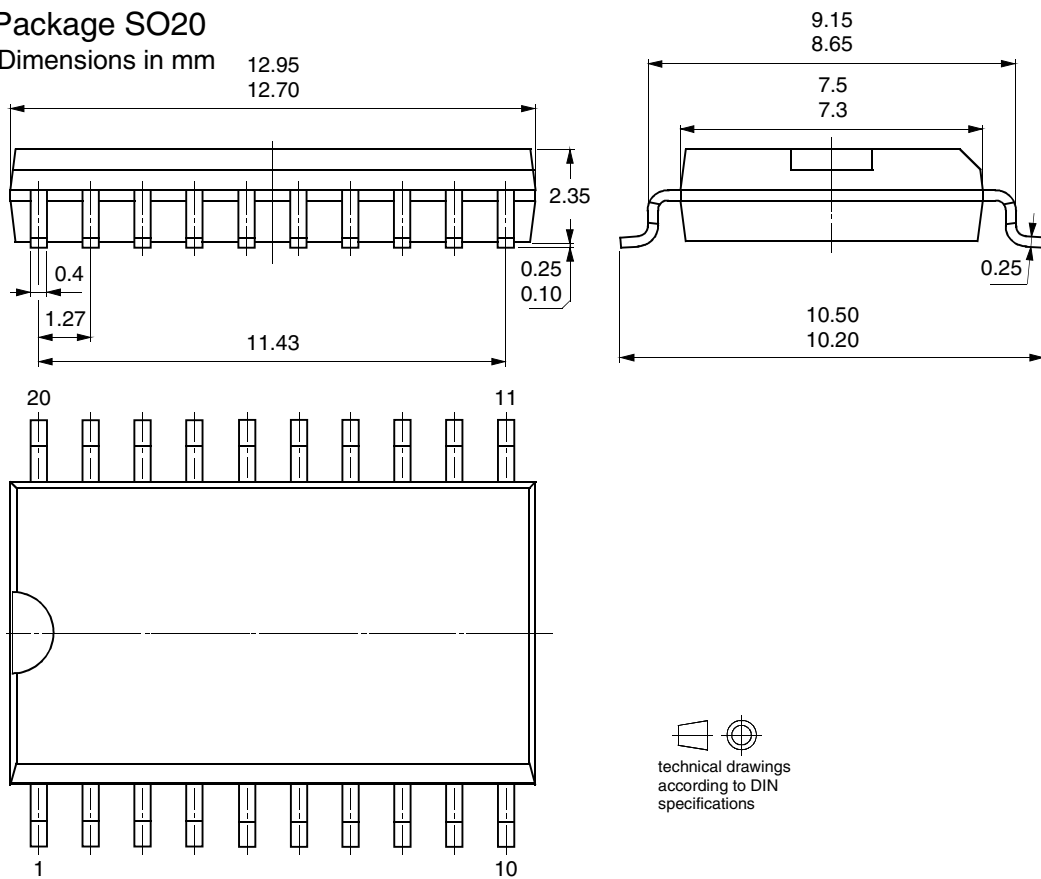
Ordering Information

Extended Type Number	Package	Remarks
T5744-TKS	SSO20	Tube
T5744-TKQ	SSO20	Taped and reeled
T5744-TGS	SO20	Tube
T5744-TGQ	SO20	Taped and reeled

Package Information

Package SO20

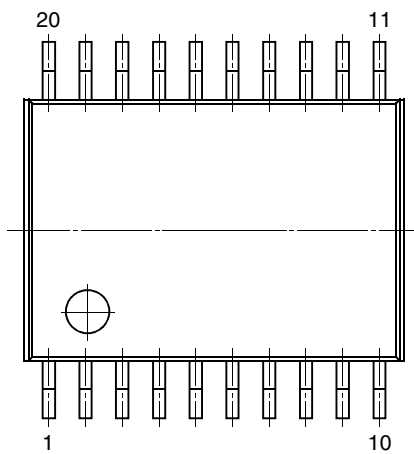
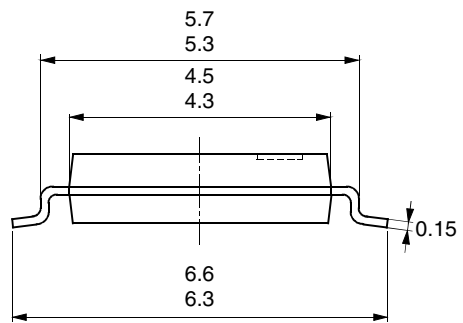
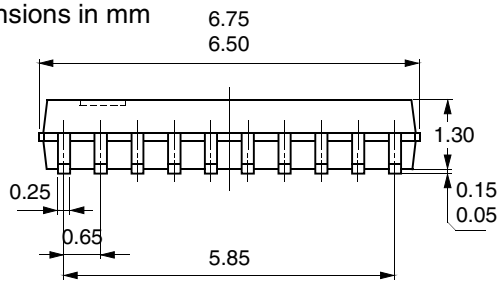
Dimensions in mm




 technical drawings
 according to DIN
 specifications

Package SSO20

Dimensions in mm



technical drawings
according to DIN
specifications



Atmel Headquarters

Corporate Headquarters

2325 Orchard Parkway
San Jose, CA 95131
TEL 1(408) 441-0311
FAX 1(408) 487-2600

Europe

Atmel Sarl
Route des Arsenaux 41
Case Postale 80
CH-1705 Fribourg
Switzerland
TEL (41) 26-426-5555
FAX (41) 26-426-5500

Asia

Room 1219
Chinachem Golden Plaza
77 Mody Road Tsimhatsui
East Kowloon
Hong Kong
TEL (852) 2721-9778
FAX (852) 2722-1369

Japan

9F, Tonetsu Shinkawa Bldg.
1-24-8 Shinkawa
Chuo-ku, Tokyo 104-0033
Japan
TEL (81) 3-3523-3551
FAX (81) 3-3523-7581

Atmel Operations

Memory

2325 Orchard Parkway
San Jose, CA 95131
TEL 1(408) 441-0311
FAX 1(408) 436-4314

Microcontrollers

2325 Orchard Parkway
San Jose, CA 95131
TEL 1(408) 441-0311
FAX 1(408) 436-4314

La Chantrerie
BP 70602
44306 Nantes Cedex 3, France
TEL (33) 2-40-18-18-18
FAX (33) 2-40-18-19-60

ASIC/ASSP/Smart Cards

Zone Industrielle
13106 Rousset Cedex, France
TEL (33) 4-42-53-60-00
FAX (33) 4-42-53-60-01

1150 East Cheyenne Mtn. Blvd.
Colorado Springs, CO 80906
TEL 1(719) 576-3300
FAX 1(719) 540-1759

Scottish Enterprise Technology Park
Maxwell Building
East Kilbride G75 0QR, Scotland
TEL (44) 1355-803-000
FAX (44) 1355-242-743

RF/Automotive

Theresienstrasse 2
Postfach 3535
74025 Heilbronn, Germany
TEL (49) 71-31-67-0
FAX (49) 71-31-67-2340

1150 East Cheyenne Mtn. Blvd.
Colorado Springs, CO 80906
TEL 1(719) 576-3300
FAX 1(719) 540-1759

Biometrics/Imaging/Hi-Rel MPU/ High Speed Converters/RF Datacom

Avenue de Rochepleine
BP 123
38521 Saint-Egreve Cedex, France
TEL (33) 4-76-58-30-00
FAX (33) 4-76-58-34-80

e-mail

literature@atmel.com

Web Site

<http://www.atmel.com>

© Atmel Corporation 2002.

Atmel Corporation makes no warranty for the use of its products, other than those expressly contained in the Company's standard warranty which is detailed in Atmel's Terms and Conditions located on the Company's web site. The Company assumes no responsibility for any errors which may appear in this document, reserves the right to change devices or specifications detailed herein at any time without notice, and does not make any commitment to update the information contained herein. No licenses to patents or other intellectual property of Atmel are granted by the Company in connection with the sale of Atmel products, expressly or by implication. Atmel's products are not authorized for use as critical components in life support devices or systems.

Atmel® is the registered trademark of Atmel.

Other terms and product names may be the trademarks of others.



Printed on recycled paper.

