



Model Name: **T645HW02 V3**
Product Specification

Rev.00

Date: 2009/08/26

Product Functional Specification

65" Full HD Color TFT-LCD Module
Model Name: T645HW02 V3

() Preliminary Specification
(* Final Specification



Contents

No	
	CONTENTS
	RECORD OF REVISIONS
1	GENERAL DESCRIPTION
2	ABSOLUTE MAXIMUM RATINGS
3	ELECTRICAL SPECIFICATION
3.1	SIGNAL ELECTRICAL CHARACTERISTICS
3.2	SIGNAL INTERFACE CONNECTOR
3.3	SIGNAL TIMING SPECIFICATION
3.4	SIGNAL TIMING WAVEFORM
3.5	COLOR INPUT DATA REFERENCE
3.6	BACK LIGHT POWER SPECIFICATION
3.7	POWER SEQUENCE
4	OPTICAL SPECIFICATION
5	MECHANICAL CHARACTERISTICS
6	PACKING
7	RELIABILITY TEST
8	INTERNATIONAL STANDARD
9	PRECAUTIONS



Record of Revision

Rev.	Data	Page	Items	New Description	Remark
00	2009/08/26	--	First release	N/A	

Model Name: **T645HW02 V3**

Product Specification

1. General Description

This specification applies to the 65 inch Color TFT-LCD Module T645HW02 V3. This LCD module has a TFT active matrix type liquid crystal panel 1920x1080 pixels, and diagonal size of 64.5 inch. This module supports Full HD mode (non-interlace).

Each pixel is divided into Red, Green, and Blue sub-pixels or dots which are arranged in vertical stripes. Gray scale or the brightness of the sub-pixel color is determined by 10-bit gray scale signal for each dot.

The T645HW02 V3 has been designed to apply the 10-bit 4-channel LVDS interface method. It is intended to support displays where high brightness, wide viewing angle, double frame rate driving, and high color depth are important.

The T645HW02 V3 is RoHS verified which can be distinguished on panel label.

◆ General Information

Items	Specification	Unit	Note
Active Screen Size	64.53	inches	Diagonal
Display Area	1428.48 (H) x 803.52 (V)	mm	
Outline Dimension	1508.0(H) x 878.0(V) x 60.0(D)	mm	w/ Inverter Cover
Driver Element	a-Si TFT active matrix		
Display Colors	1073.7M (8-bit+FRC)	colors	
Color Gamut	72	%	NTSC
Number of Pixels	1920 x 1080	pixel	
Pixel Arrangement	RGB vertical stripe		
Pixel Pitch	0.744	mm	
Display Mode	Transmissive, Normally Black		
Surface Treatment	HCLR, 3H		
Total Power Consumption	360	watt	include BLU & Signal
Life Time (minimum)	50,000	hours	[1]
RoHS	RoHS compliance		

Note [1]: The life is determined as the time at which luminance of the lamp is 50% compared to that of initial value at the typical lamp current on condition of continuous operating at 25±2 °C.



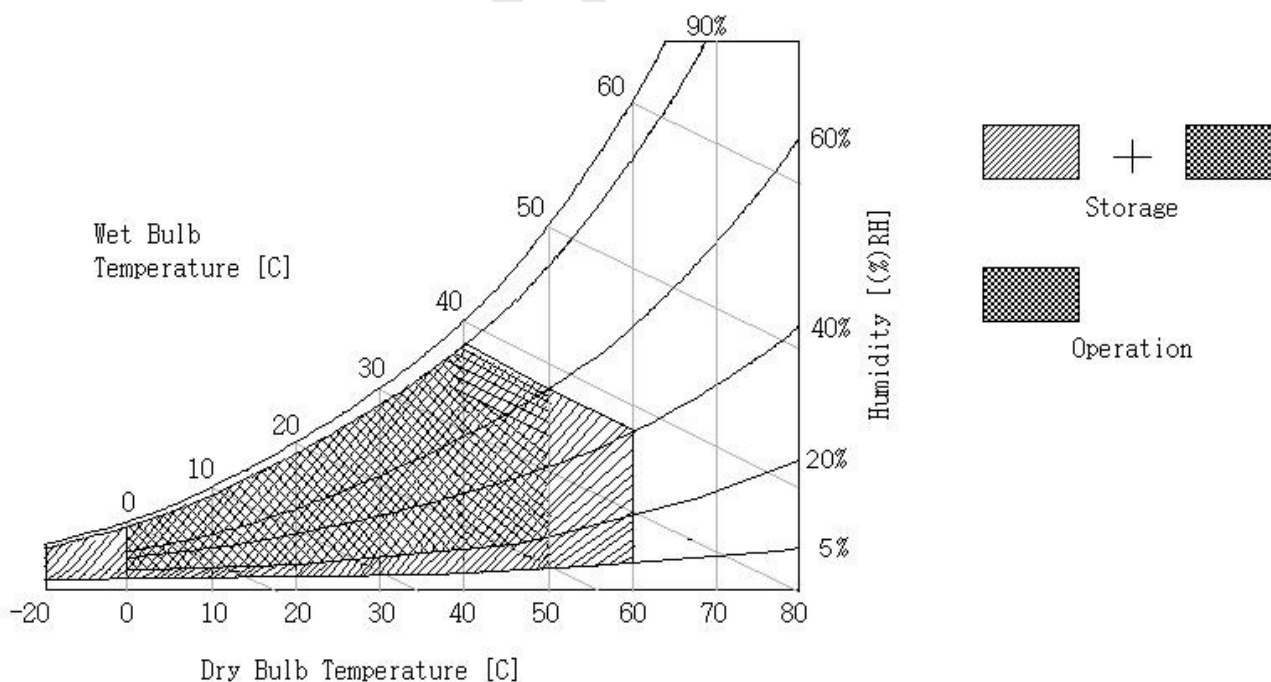
2. Absolute Maximum Ratings

The followings are maximum values which, if exceeded, may cause faulty operation or damage to the unit:

Item	Symbol	Min.	Max	Unit	Note
Logic/LCD Drive Voltage	V_{CC}	-0.3	+14.0	V	[1]
Input Voltage of Signal	V_{IN}	-0.3	+3.6	V	[1]
BLU Input Voltage	V_{DDB}	-0.3	+27.0	V	[1]
BLU Brightness Control Voltage	V_{BLON}	-0.3	+7.0	V	[1]
Operating Temperature	T_{OP}	0	+50	°C	[2]
Operating Humidity	H_{OP}	10	90	%RH	[2]
Storage Temperature	T_{ST}	-20	+60	°C	[2]
Storage Humidity	H_{ST}	10	90	%RH	[2]
Panel Surface Temperature	T_{SUR}	--	+65	°C	[2]

Note [1]: If operate over spec but under absolute maximum rating, duration must be < 50ms.

Note [2]: Maximum Wet-Bulb should be 39°C and no condensation. The relative humidity must not exceed 80% non-condensing at temperatures of 40°C or less. At temperatures greater than 40°C, the wet bulb temperature must not exceed 39°C. When operate at low temperatures, the brightness of CCFL will drop and the life time of CCFL will be reduced.





3. Electrical Specification

The T645HW02 V3 requires two power inputs. One is employed to power the LCD electronics and to drive the TFT array and liquid crystal. The second input is to power the inverter, which can power the CCFL.

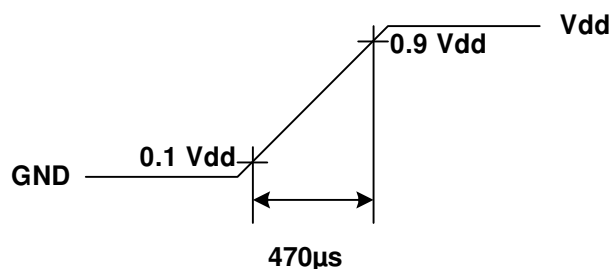
3.1 Signal Electrical Characteristics

($T_a = 25 \pm 2^\circ\text{C}$)

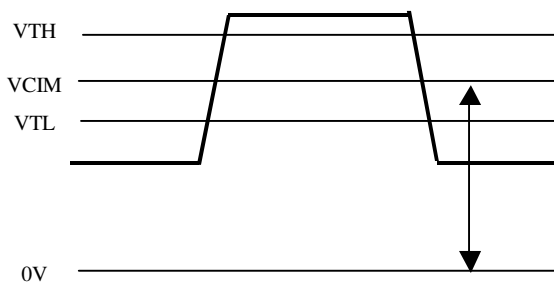
Parameter		Symbol	Value			Unit	Note
			Min.	Typ.	Max		
Power Supply Input Voltage		V_{CC}	10.8	12.0	13.2	V	
Power Supply Input Current		I_{CC}	0.4	0.6	0.8	A	[2]
Power Consumption		P_{CC}	5.28	7.2	8.64	Watt	[2]
Inrush Current		I_{RUSH}	--	--	16	A	[3]
LVDS Interface	Differential Input High Threshold Voltage	V_{TH}	+100	--	--	mV	[4]
	Differential Input Low Threshold Voltage	V_{TL}	-100	--	--	mV	[4]
	Common Input Voltage	V_{CIM}	1.10	1.25	1.40	V	
CMOS Interface	Input High Threshold Voltage (High)	V_{IH}	2.4	--	3.3	V	
	Input Low Threshold Voltage (Low)	V_{IL}	0	--	0.7	V	

Note:

1. The check pattern is base on white pattern. The ripple voltage should be controlled under 10% of V_{CC} .
2. $V_{CC} = 12.0\text{V}$, $F_V = 120\text{Hz}$, $F_{CLK} = 77.3\text{MHz}$, 25°C , V_{CC} duration time = $470\mu\text{s}$, test pattern: full white pattern
3. Measurement condition: rising time= $470\mu\text{s}$



4. Measurement of LVDS differential voltage is shown as following:



5. Do not attach a conducting tape to lamp connecting wire. If the lamp wire attach to conducting tape, TFT-LCD Module has a low luminance and the inverter has abnormal action because leakage current occurs between lamp wire and conducting tape.



3.2 Signal Interface Connections

◆ LCD LVDS connector (41pin): JAE FI-RE41S-HF

PIN #	Signal Name	Description	Note
1	V _{CC}	Operating Voltage Supply, +12V DC Regulated	Power
2	V _{CC}	Operating Voltage Supply, +12V DC Regulated	
3	V _{CC}	Operating Voltage Supply, +12V DC Regulated	
4	V _{CC}	Operating Voltage Supply, +12V DC Regulated	
5	V _{CC}	Operating Voltage Supply, +12V DC Regulated	
6	GND	Ground	
7	GND	Ground	
8	GND	Ground	
9	GND	Ground	
10	R1_0-	LVDS Channel 1, Signal 0-	LVDS Channel 1
11	R1_0+	LVDS Channel 1, Signal 0+	
12	R1_1-	LVDS Channel 1, Signal 1-	
13	R1_1+	LVDS Channel 1, Signal 1+	
14	R1_2-	LVDS Channel 1, Signal 2-	
15	R1_2+	LVDS Channel 1, Signal 2+	
16	GND	Ground	
17	R1_CLK-	LVDS Channel 1, Clock -	
18	R1_CLK+	LVDS Channel 1, Clock +	
19	GND	Ground	
20	R1_3-	LVDS Channel 1, Signal 3-	
21	R1_3+	LVDS Channel 1, Signal 3+	
22	R1_4-	LVDS Channel 1, Signal 4-	
23	R1_4+	LVDS Channel 1, Signal 4+	
24	GND	Ground	
25	R3_0-	LVDS Channel 3, Signal 0-	LVDS Channel 3
26	R3_0+	LVDS Channel 3, Signal 0+	
27	R3_1-	LVDS Channel 3, Signal 1-	
28	R3_1+	LVDS Channel 3, Signal 1+	
29	R3_2-	LVDS Channel 3, Signal 2-	
30	R3_2+	LVDS Channel 3, Signal 2+	
31	GND	Ground	
32	R3_CLK-	LVDS Channel 3, Clock -	
33	R3_CLK+	LVDS Channel 3, Clock +	
34	GND	Ground	

Model Name: **T645HW02 V3**

Product Specification

PIN #	Signal Name	Description	Note
35	R3_3-	LVDS Channel 3, Signal 3-	LVDS Channel 3
36	R3_3+	LVDS Channel 3, Signal 3+	
37	R3_4-	LVDS Channel 3, Signal 4-	
38	R3_4+	LVDS Channel 3, Signal 4+	
39	GND	Ground	
40	NC	No Connect (AUO Internal Use Only)	
41	NC	No Connect (AUO Internal Use Only)	

◆ **LCD LVDS connector (51 pin): JAE FI-RE51S-HF**

PIN #	Signal Name	Description	Note
1	V _{CC}	Operating Voltage Supply, +12V DC Regulated	Power
2	V _{CC}	Operating Voltage Supply, +12V DC Regulated	
3	V _{CC}	Operating Voltage Supply, +12V DC Regulated	
4	V _{CC}	Operating Voltage Supply, +12V DC Regulated	
5	V _{CC}	Operating Voltage Supply, +12V DC Regulated	
6	GND	Ground	
7	GND	Ground	
8	GND	Ground	
9	GND	Ground	
10	R2_0-	LVDS Channel 2, Signal 0-	LVDS Channel 2
11	R2_0+	LVDS Channel 2, Signal 0+	
12	R2_1-	LVDS Channel 2, Signal 1-	
13	R2_1+	LVDS Channel 2, Signal 1+	
14	R2_2-	LVDS Channel 2, Signal 2-	
15	R2_2+	LVDS Channel 2, Signal 2+	
16	GND	Ground	
17	R2_CLK-	LVDS Channel 2, Clock -	
18	R2_CLK+	LVDS Channel 2, Clock +	
19	GND	Ground	
20	R2_3-	LVDS Channel 2, Signal 3-	
21	R2_3+	LVDS Channel 2, Signal 3+	
22	R2_4-	LVDS Channel 2, Signal 4-	
23	R2_4+	LVDS Channel 2, Signal 4+	
24	GND	Ground	

Model Name: **T645HW02 V3**

Product Specification

PIN #	Signal Name	Description	Note
25	R4_0-	LVDS Channel 4, Signal 0-	LVDS Channel 4
26	R4_0+	LVDS Channel 4, Signal 0+	
27	R4_1-	LVDS Channel 4, Signal 1-	
28	R4_1+	LVDS Channel 4, Signal 1+	
29	R4_2-	LVDS Channel 4, Signal 2-	
30	R4_2+	LVDS Channel 4, Signal 2+	
31	GND	Ground	
32	R4_CLK-	LVDS Channel 4, Clock -	
33	R4_CLK+	LVDS Channel 4, Clock +	
34	GND	Ground	
35	R4_3-	LVDS Channel 4, Signal 3-	
36	R4_3+	LVDS Channel 4, Signal 3+	
37	R4_4-	LVDS Channel 4, Signal 4-	
38	R4_4+	LVDS Channel 4, Signal 4+	
39	GND	Ground	
40	NC	No Connect (AUO Internal Use Only)	
41	NC	No Connect (AUO Internal Use Only)	
42	NC	No Connect (AUO Internal Use Only)	
43	NC	No Connect (AUO Internal Use Only)	
44	NC	No Connect (AUO Internal Use Only)	
45	LVDS_SEL	Open/High(3.3V) for NS, Low(GND) for JEIDA	Default: NS
46	NC	No Connect (AUO Internal Use Only)	
47	NC	No Connect (AUO Internal Use Only)	
48	NC	No Connect (AUO Internal Use Only)	
49	NC	No Connect (AUO Internal Use Only)	
50	NC	No Connect (AUO Internal Use Only)	
51	NC	No Connect (AUO Internal Use Only)	

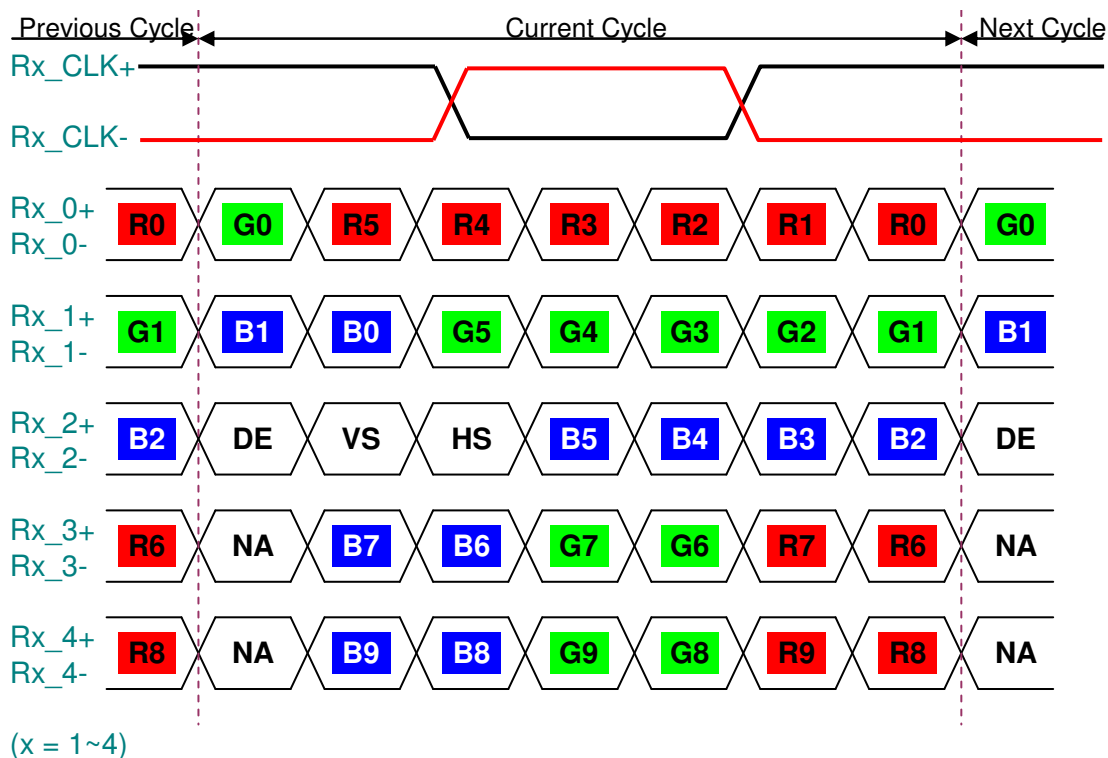
Note [1]: All GND (ground) pins should be connected together and should also be connected to the LCD's metal frame.

Note [2]: All V_{CC} (power input) pins should be connected together.

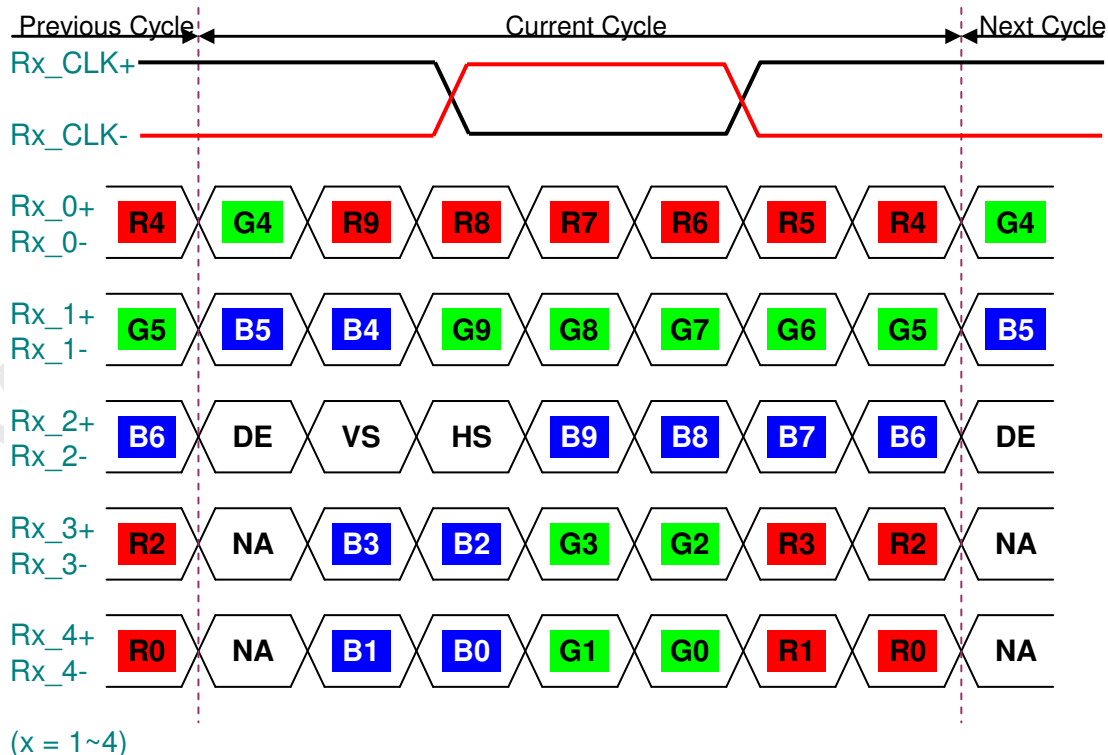
Note [3]: All NC (no connection) pins should be open without voltage input.



◆ **LVDS Option = Open/High(3.3V) → NS**



◆ **LVDS Option = Low(GND) → JEIDA**





3.3 Signal Timing Specification

This is the signal timing required at the input of the user connector. All of the interface signal timing should be satisfied with the following specifications for its proper operation.

Timing Table (DE only Mode)

Vertical Frequency Range (120Hz)

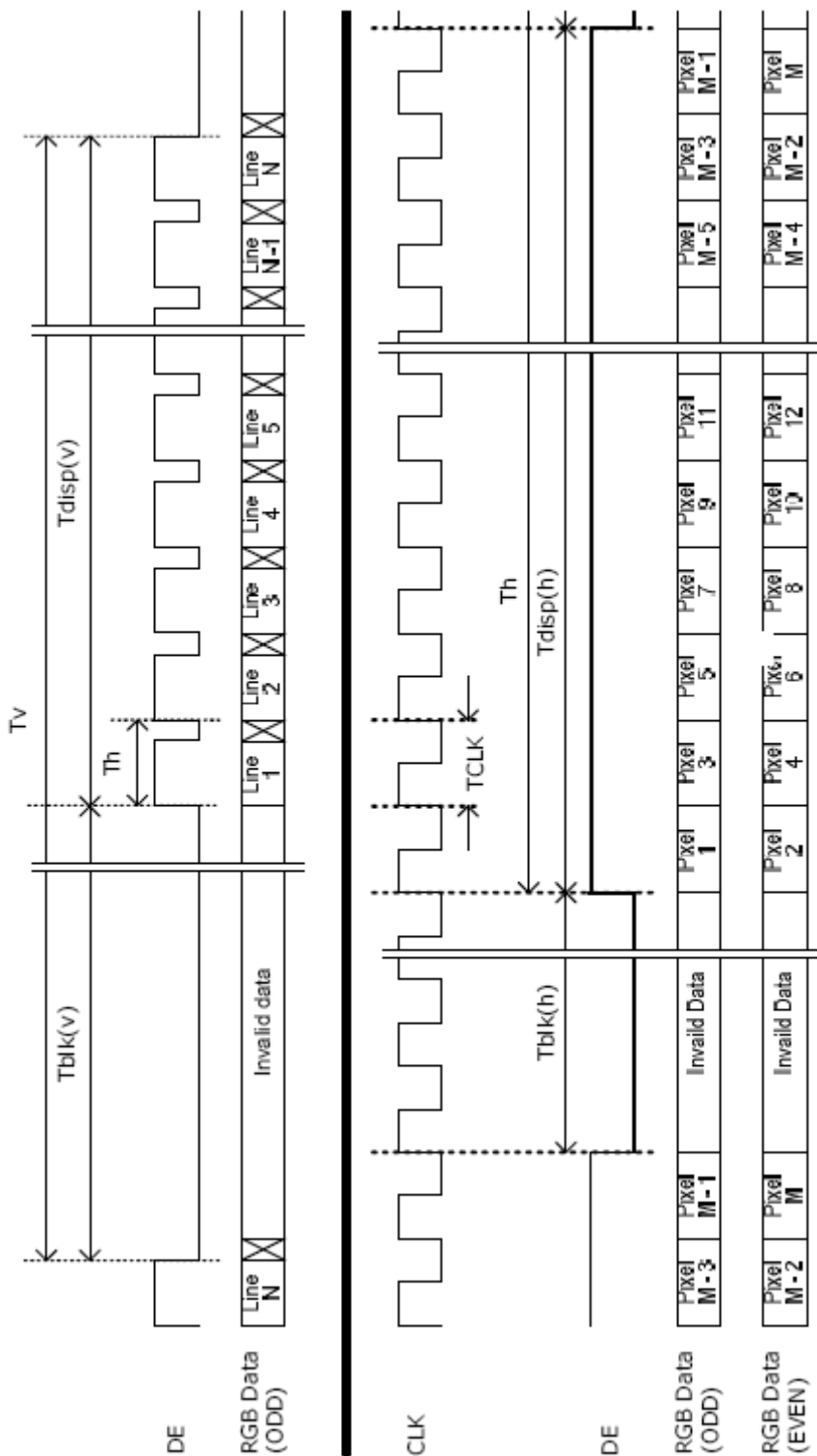
Signal	Item	Symbol	Min.	Typ.	Max	Unit
Vertical Section	Period	T_V	1096	1130	1160	T_H
	Active	$T_{DISP} (V)$	1080			
	Blanking	$T_{BLK} (V)$	16	50	80	T_H
Horizontal Section	Period	T_H	560	570	580	T_{CLK}
	Active	$T_{DISP} (H)$	480			
	Blanking	$T_{BLK} (H)$	80	90	100	T_{CLK}
Clock	Period	T_{CLK}	13.58	12.94	12.39	ns
	Frequency	F_{CLK}	73.65	77.29	80.74	MHz
Vertical Frequency	Frequency	F_V	118	120	122	Hz
Horizontal Frequency	Frequency	F_H	131.52	135.6	139.2	KHz

Vertical Frequency Range (100Hz)

Signal	Item	Symbol	Min.	Typ.	Max	Unit
Vertical Section	Period	T_V	1200	1280	1392	T_H
	Active	$T_{DISP} (V)$	1080			
	Blanking	$T_{BLK} (V)$	120	200	312	T_H
Horizontal Section	Period	T_H	550	570	580	T_{CLK}
	Active	$T_{DISP} (H)$	480			
	Blanking	$T_{BLK} (H)$	70	90	100	T_{CLK}
Clock	Period	T_{CLK}	15.15	13.71	12.39	ns
	Frequency	F_{CLK}	66	72.96	80.74	MHz
Vertical Frequency	Frequency	F_V	96	100	102	Hz
Horizontal Frequency	Frequency	F_H	120	128	139.2	KHz



3.4 Signal Timing Waveform





3.5 Color Input Data Reference

The brightness of each primary color (red, green, and blue) is based on the 10-bit gray scale data input for the color; the higher the binary input, the brighter the color. The table below provides a reference for color versus data input.

COLOR DATA REFERENCE

Color		Input Color Data																													
		RED										GREEN										BLUE									
		MSB					LSB					MSB					LSB					MSB				LSB					
		R9	R8	R7	R6	R5	R4	R3	R2	R1	R0	G9	G8	G7	G6	G5	G4	G3	G2	G1	G0	B9	B8	B7	B6	B5	B4	B3	B2	B1	B0
Basic Color	Black	0	0	0	0	0	0	0	0	0	0	0	0	0	0	0	0	0	0	0	0	0	0	0	0	0	0	0	0	0	0
	Red(1023)	1	1	1	1	1	1	1	1	1	1	0	0	0	0	0	0	0	0	0	0	0	0	0	0	0	0	0	0	0	0
	Green(1023)	0	0	0	0	0	0	0	0	0	0	1	1	1	1	1	1	1	1	1	1	0	0	0	0	0	0	0	0	0	0
	Blue(1023)	0	0	0	0	0	0	0	0	0	0	0	0	0	0	0	0	0	0	0	0	1	1	1	1	1	1	1	1	1	1
	Cyan	0	0	0	0	0	0	0	0	0	0	1	1	1	1	1	1	1	1	1	1	1	1	1	1	1	1	1	1	1	1
	Magenta	1	1	1	1	1	1	1	1	1	1	0	0	0	0	0	0	0	0	0	0	1	1	1	1	1	1	1	1	1	1
	Yellow	1	1	1	1	1	1	1	1	1	1	1	1	1	1	1	1	1	1	1	1	0	0	0	0	0	0	0	0	0	0
	White	1	1	1	1	1	1	1	1	1	1	1	1	1	1	1	1	1	1	1	1	1	1	1	1	1	1	1	1	1	1
RED	RED(000)	0	0	0	0	0	0	0	0	0	0	0	0	0	0	0	0	0	0	0	0	0	0	0	0	0	0	0	0	0	
	RED(001)	0	0	0	0	0	0	0	0	1	0	0	0	0	0	0	0	0	0	0	0	0	0	0	0	0	0	0	0	0	

	RED(1022)	1	1	1	1	1	1	1	1	1	0	0	0	0	0	0	0	0	0	0	0	0	0	0	0	0	0	0	0	0	
	RED(1023)	1	1	1	1	1	1	1	1	1	0	0	0	0	0	0	0	0	0	0	0	0	0	0	0	0	0	0	0	0	
GREEN	GREEN(000)	0	0	0	0	0	0	0	0	0	0	0	0	0	0	0	0	0	0	0	0	0	0	0	0	0	0	0	0	0	
	GREEN(001)	0	0	0	0	0	0	0	0	0	0	0	0	0	0	0	0	0	0	1	0	0	0	0	0	0	0	0	0	0	

	GREEN(1022)	0	0	0	0	0	0	0	0	0	1	1	1	1	1	1	1	1	1	0	0	0	0	0	0	0	0	0	0	0	
	GREEN(1023)	0	0	0	0	0	0	0	0	0	1	1	1	1	1	1	1	1	1	1	0	0	0	0	0	0	0	0	0	0	
BLUE	BLUE(000)	0	0	0	0	0	0	0	0	0	0	0	0	0	0	0	0	0	0	0	0	0	0	0	0	0	0	0	0	0	
	BLUE(001)	0	0	0	0	0	0	0	0	0	0	0	0	0	0	0	0	0	0	0	0	0	0	0	0	0	0	0	0	0	

	BLUE(1022)	0	0	0	0	0	0	0	0	0	0	0	0	0	0	0	0	0	0	0	1	1	1	1	1	1	1	1	1	0	
	BLUE(1023)	0	0	0	0	0	0	0	0	0	0	0	0	0	0	0	0	0	0	0	1	1	1	1	1	1	1	1	1	1	

Model Name: **T645HW02 V3**

Product Specification

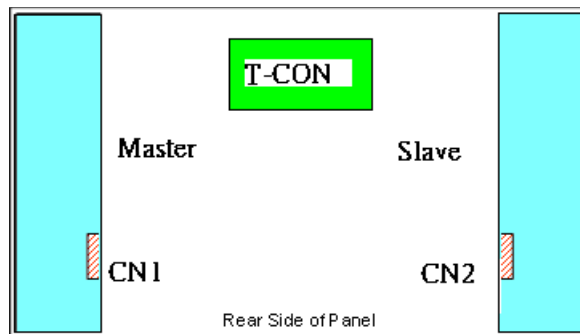
3.6 Backlight Power Specification

◆ Electrical Specification

(Ta=25±5°C, Turn-on after 60mins)

No	ITEM	SYMBOL	CONDITION	MIN	TYP	MAX	UNIT	Note	
1	Input Voltage	V _{DDB}	---	21.6	24.0	26.4	V _{DC}		
2	Input Current	I _{DDB}	V _{DDB} =24V 100% Brightness	13.14	14.6	16.5	A _{DC}		
3	Input Power	P _{DDB}	V _{DDB} =24V 100% Brightness		350	396	W		
4	Input inrush current	I _{RUSH}	V _{DDB} =24V 100% Brightness	---	---	22	A _{DC}		
5	Output Frequency	F _{BL}	V _{DDB} =24V	43	45	47	kHz		
6	ON/OFF Control Voltage	V _{BLOn}	ON	V _{DDB} =24V	2.8	---	5.0	V _{DC}	
			OFF	V _{DDB} =24V	0.0	---	0.8	V _{DC}	
7	ON/OFF Control Current	I _{BLOn}	V _{DDB} =24V	0	---	2	mA _{DC}		
8	External PWM Control Voltage	E _{V_{PWM}}	MAX	---	2.0	---	3.3	V _{DC}	
			MIN	---	0	---	0.8	V _{DC}	
9	External PWM Control Current	E _{I_{PWM}}	MAX	PWM=100%	0	---	2	mA _{DC}	
			MIN	PWM=30%	0	---	2	mA _{DC}	
10	External PWM Duty Ratio	E _{D_{PWM}}	---	30	---	100	%		
11	External PWM Frequency	E _{F_{PWM}}	---	140	180	240	Hz		
12	Internal PWM Control Voltage	I _{V_{PWM}}	V _{DDB} =24V	0	---	3.3	V _{DC}		

◆ Inverter Interface Connection



CN1: CviLux_CI0114M1HRL-NH

PIN #	Symbol	Description
1	V _{DDB}	Operating Voltage Supply, +24V DC Regulated
2	V _{DDB}	Operating Voltage Supply, +24V DC Regulated
3	V _{DDB}	Operating Voltage Supply, +24V DC Regulated
4	V _{DDB}	Operating Voltage Supply, +24V DC Regulated
5	V _{DDB}	Operating Voltage Supply, +24V DC Regulated
6	GND	Ground
7	GND	Ground
8	GND	Ground
9	GND	Ground
10	GND	Ground
11	Det	Normal display: ($\leq 0.8V$), Fail: open collector
12	VBLON	BL On-Off: High (2.8~5V) for BL On , Low/Open (GND) for off
13	Internal PWM(VDIM)	Internal PWM Dimming High (3.3V/100% Duty) for 100% Lum; <NC; when external PWM>
14	External PWM(PDIM)	External PWM Dimming (30%~100% Duty) ; <NC; when internal PWM>

Note (1) Det is Output pin for detect power error. When backlight is normal operation, DET is GND(0V). When backlight is abnormal, DET is high(5V).

Note (2) PWM dimming function is included internal PWM and external PWM.

Internal PWM: input voltage 0 (GND) ~3.3V to pin 13th, and duty ratio of output voltage/current of inverter is from 30% to 100%. When use pin 13th to control backlight luminance, the pin 14th will be NC and can not be affect by noise!

External PWM: input duty ratio 30% ~100% to pin 14th, and duty ratio of output voltage/current of inverter is from 30% to 100%. When use pin 14th to control backlight luminance, the pin 13th will be NC and can not be affect by noise!

Pin 13th and pin 14th can not be used at the same time!

**CN2:** CviLux_CI0114M1HRL-NH

PIN #	Symbol	Description
1	V _{DDB}	Operating Voltage Supply, +24V DC Regulated
2	V _{DDB}	Operating Voltage Supply, +24V DC Regulated
3	V _{DDB}	Operating Voltage Supply, +24V DC Regulated
4	V _{DDB}	Operating Voltage Supply, +24V DC Regulated
5	V _{DDB}	Operating Voltage Supply, +24V DC Regulated
6	GND	Ground
7	GND	Ground
8	GND	Ground
9	GND	Ground
10	GND	Ground
11	NC	No Connect
12	NC	No Connect
13	NC	No Connect
14	NC	No Connect

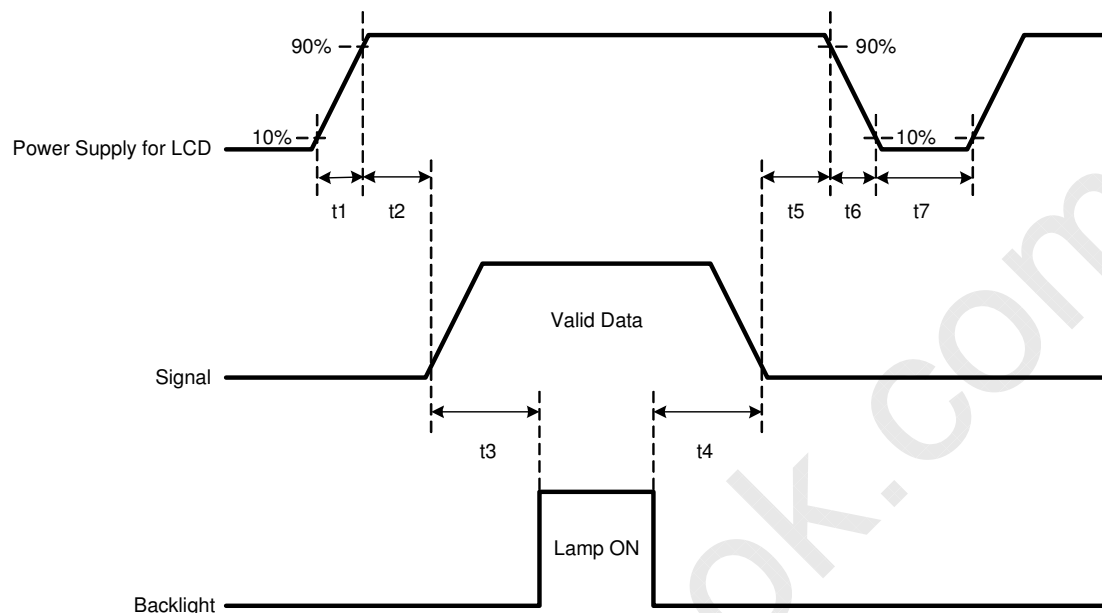
Note [3]: All GND (ground) pins for all 2 connectors should be connected together and should also be connected to the LCD's metal frame.

Note [4]: All V_{DDB} (power input) pins for all 2 connectors should be connected together.

Note [5]: All NC (no connection) pins should be open without voltage input.

3.7 Power Sequence

◆ Power Sequence of LCD

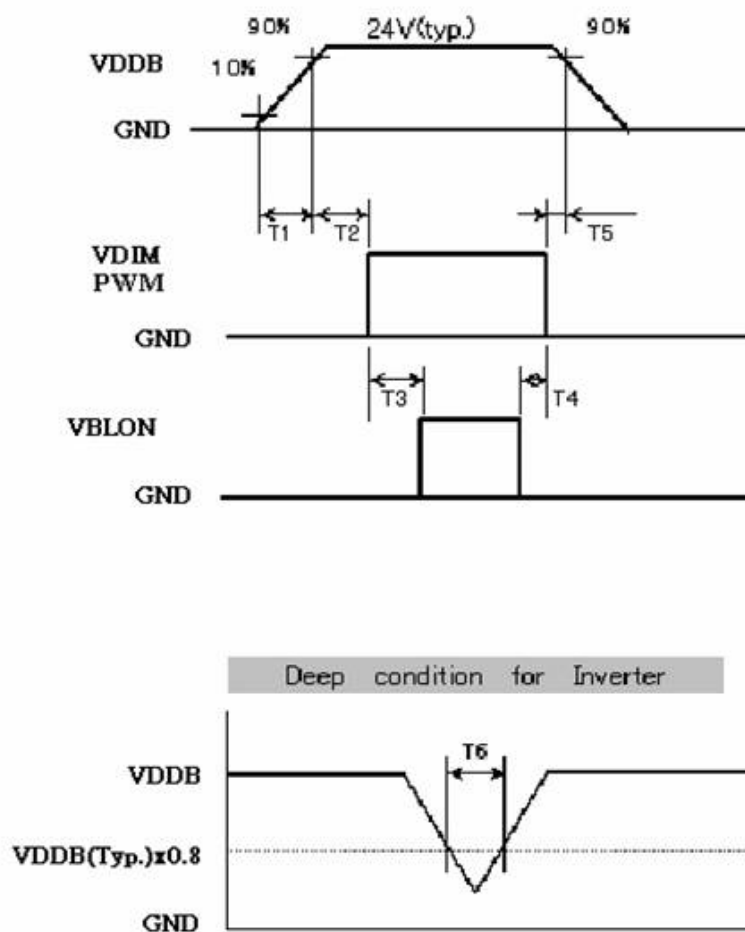


Parameter	Values			Unit
	Min.	Typ.	Max.	
t1	0.4	--	30	ms
t2	0.1	--	50	ms
t3	300	--	--	ms
t4	10	--	--	ms
t5	0.1	--	50	ms
t6	--	--	300	ms
t7	500	--	--	ms

Apply the lamp voltage within the LCD operating range. When the backlight turns on before the LCD operation or the LCD turns off before the backlight turns off, the display may momentarily become abnormal.

Caution: The above on/off sequence should be applied to avoid abnormal function in the display. In case of handling, make sure to turn off the power when you plug the cable into the input connector or pull the cable out of the connector.

◆ Power Sequence of Inverter



Parameter	Values			Unit
	Min.	Typ.	Max.	
T1	20	--	--	ms
T2	500	--	--	ms
T3	250	--	--	ms
T4	0	--	--	ms
T5	1	--	50	ms
T6	--	--	10	ms

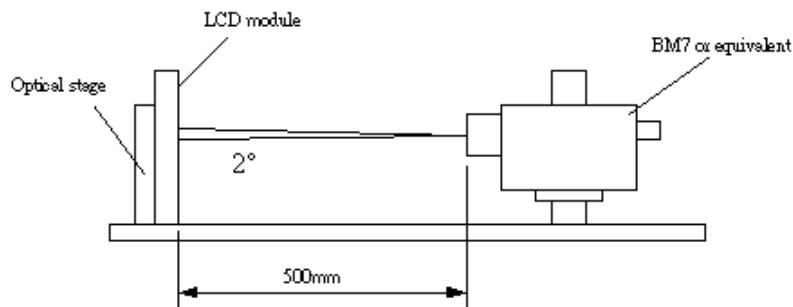
Model Name: **T645HW02 V3**

Product Specification

4. Optical Specification

Optical characteristics are determined after the unit has been 'ON' and stable for approximately 60 minutes in a dark environment at 25°C. The values specified are at an approximate distance 50cm from the LCD surface at a viewing angle of φ and θ equal to 0°.

Test condition:



(Ta=25±5°C, Turn-on after 60mins)

Parameter	Symbol	Values			Unit	Notes
		Min.	Typ.	Max		
Contrast Ratio	CR	3200	4000	--		[1], [2]
Surface Luminance (White)	L _{WH}	360	450	--	cd/m ²	[1], [3]
Luminance Variation	$\delta_{\text{WHITE}(9P)}$	--	--	1.3		[4]
Response Time (Average)	T _R	--	5.5	--	ms	[1],[5] (Gray to Gray)
Color Coordinates						(CIE 1931)
Red	R _x	Typ.-0.03	0.64	Typ.+0.03		[1]
	R _y		0.33			[1]
Green	G _x		0.29			[1]
	G _y		0.60			[1]
Blue	B _x		0.15			[1]
	B _y		0.06			[1]
White	W _x		0.28			[1]
	W _y		0.29			[1]
Viewing Angle						(Contrast Ratio>10)
x axis, right($\varphi=0^\circ$)	θ_r	--	89	--	degree	[1], [6]
x axis, left($\varphi=180^\circ$)	θ_l	--	89	--	degree	[1], [6]
y axis, up($\varphi=90^\circ$)	θ_u	--	89	--	degree	[1], [6]
y axis, down ($\varphi=270^\circ$)	θ_d	--	89	--	degree	[1], [6]

Model Name: **T645HW02 V3**

Product Specification

Note [1]: The values of contrast ratio, surface luminance, response time, color coordinates, and viewing angle are measured at center point of display area.

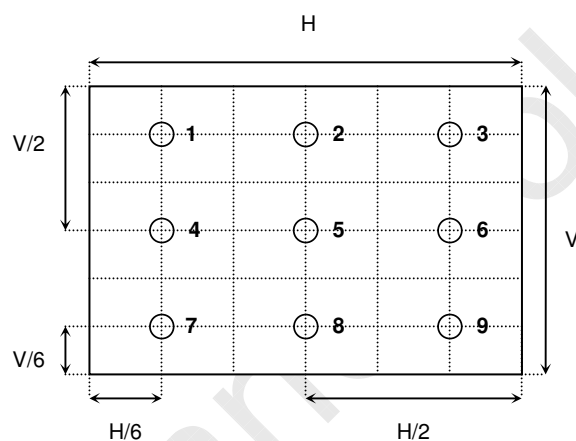
Note [2]: Contrast Ratio (CR) is defined mathematically as:

$$\text{Contrast Ratio (CR)} = \frac{\text{Brightness of 'full white' state}}{\text{Brightness of 'full black' state}}$$

Note [3]: Surface Luminance is luminance value at center point of display area, 50cm from the surface with all pixels displaying white.

Note [4]: The variation in surface luminance, $\delta_{\text{WHITE(9P)}}$ is defined as:

$$\delta_{\text{WHITE(9P)}} = \text{Maximum}(L_{\text{on1}}, L_{\text{on2}}, \dots, L_{\text{on9}}) / \text{Minimum}(L_{\text{on1}}, L_{\text{on2}}, \dots, L_{\text{on9}})$$



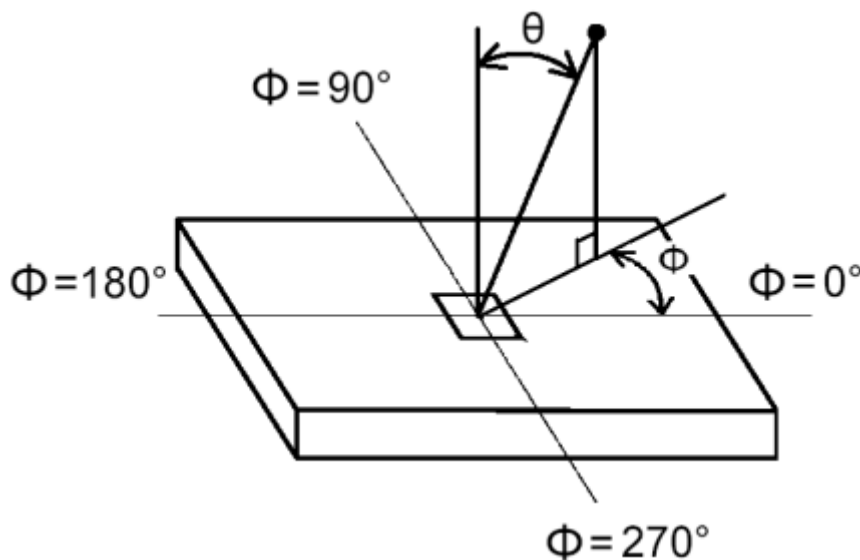
Note [5]: Response time TR is the average time required for display transition by switching the input signal for five luminance ratio (0%, 25%, 50%, 75%, 100% brightness matrix) and is based on $F_V = 120\text{Hz}$ to optimize.

	0%	25%	50%	75%	100%
0%		t:0%-25%	t:0%-50%	t:0%-75%	t:0%-100%
25%	t:25%-0%		t:25%-50%	t:25%-75%	t:25%-100%
50%	t:50%-0%	t:50%-25%		t:50%-75%	t:50%-100%
75%	t:75%-0%	t:75%-25%	t:75%-50%		t:50%-100%
100%	t:100%-0%	t:100%-25%	t:100%-50%	t:100%-75%	

Model Name: **T645HW02 V3**

Product Specification

Note [6]: Viewing angle is the angle at which the contrast ratio is greater than 10. The angles are determined for the horizontal (or x-axis) and the vertical (or y-axis) with respect to the z-axis which is normal to the LCD surface.



5. Mechanical Characteristics

The contents provide general mechanical characteristics for the model T645HW02 V3. Detailed mechanical drawings are shown in the following pages.

Outline Dimension	Horizontal (typ.)	1508.0 mm
	Vertical (typ.)	878.0 mm
	Depth (typ.)	60.0 mm (with inverter)
Bezel Opening Area	Horizontal (typ.)	1440.6 mm
	Vertical (typ.)	814.6 mm
Active Display Area	Horizontal	1428.48 mm
	Vertical	803.52 mm
Weight	33 KG (Max)	



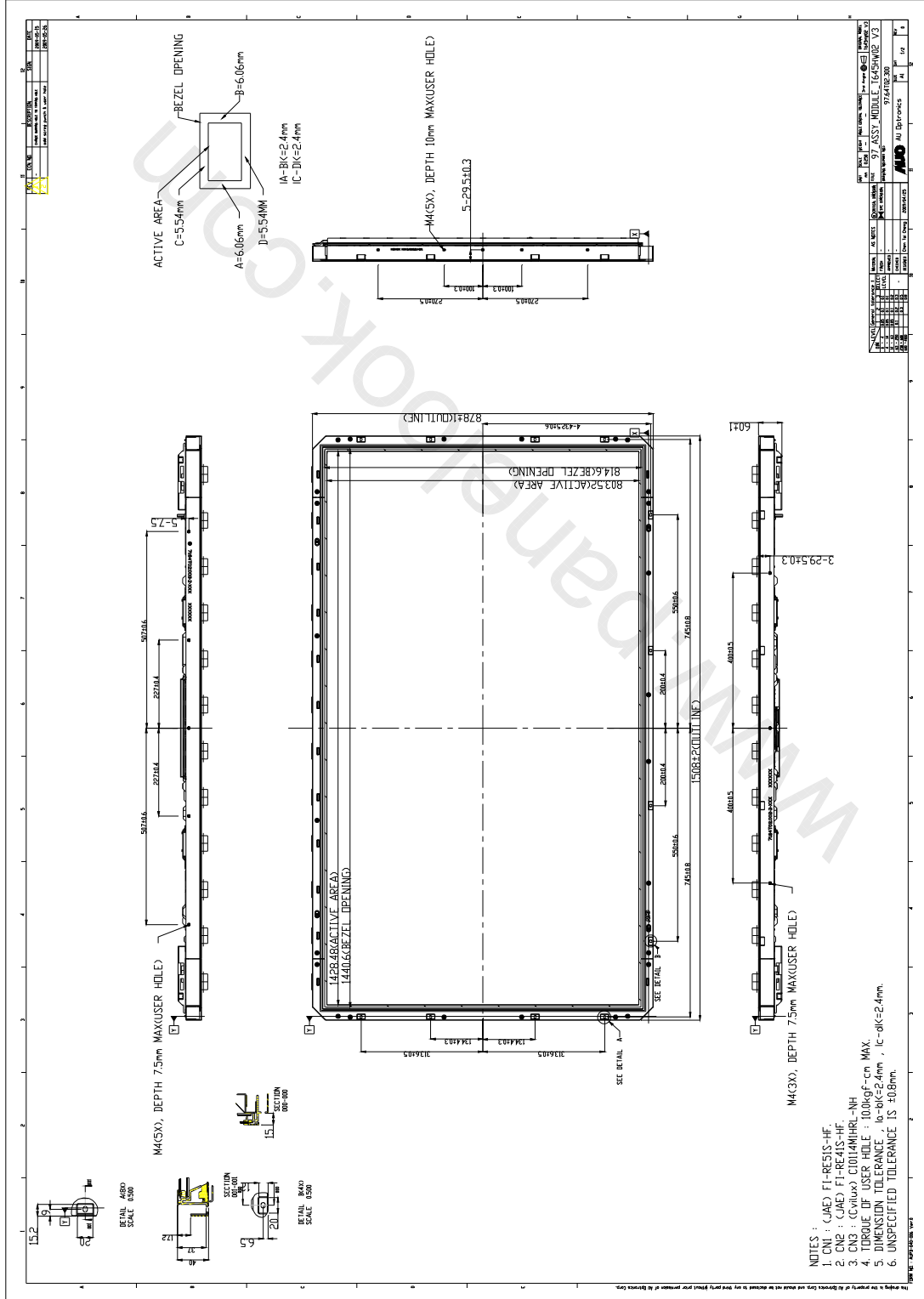
2D Drawing (Front) - Draft

Model Name: **T645HW02 V3**
Product Specification

www.panellook.com



Model Name: T645HW02 V3
Product Specification





Model Name: **T645HW02 V3**
Product Specification

6. Packing

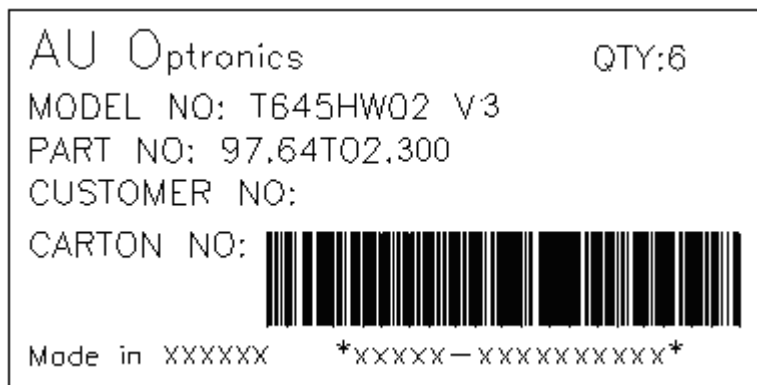
A. Panel Label

1. Panel Label Outline(P/N : 82.20A02.001) : 100mm*23mm



B. Carton Label

1. Carton label outline(P/N : 82.18B02.001) : 80mm*40mm





Model Name: **T645HW02 V3**
Product Specification

C. Packing Instruction

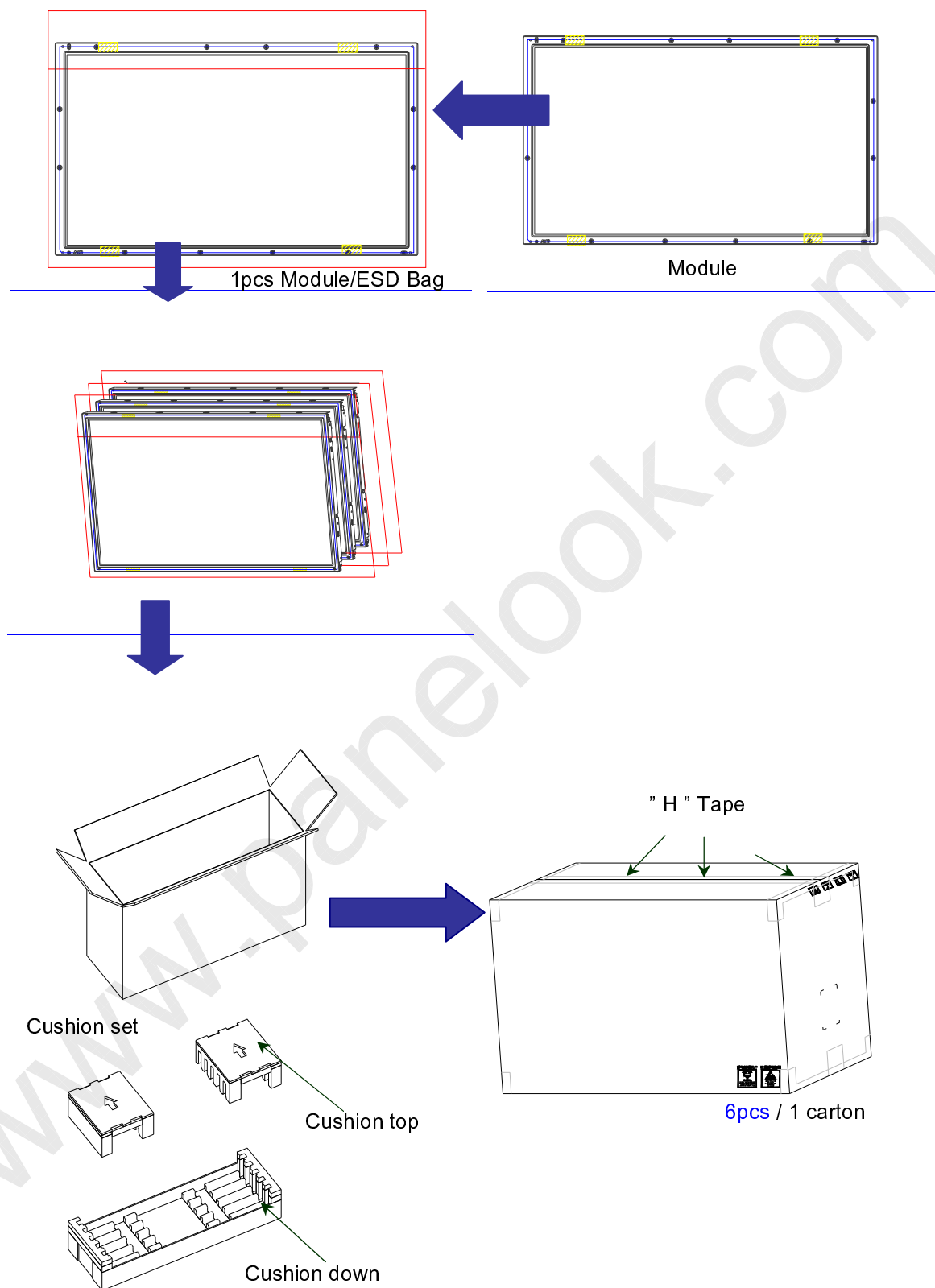
Carton dimension : 1634x555x1035 mm

One Box weight : 197.4kg

www.panelook.com



Model Name: **T645HW02 V3**
Product Specification



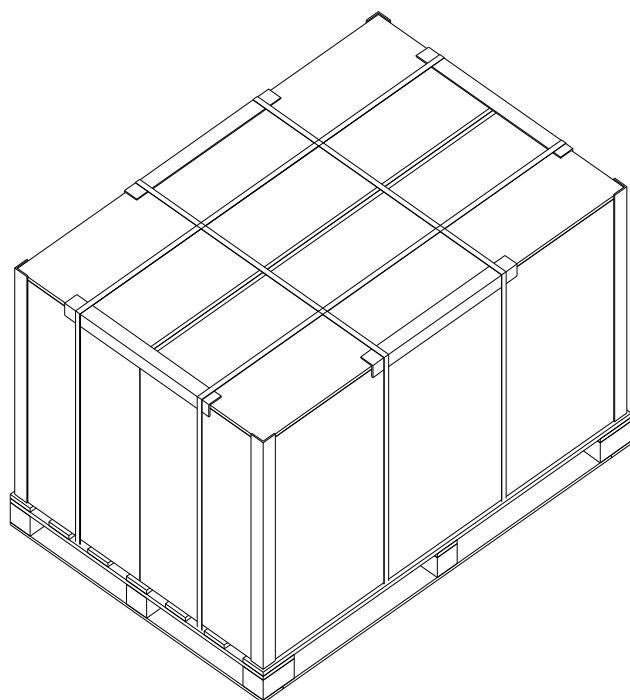
By air cargo : (2x1) x 1 layer, one pallet put 2 boxes, total 12pcs module.

Dimension : 1150mm*1660mm*1167mm

Weight : 414.8kg



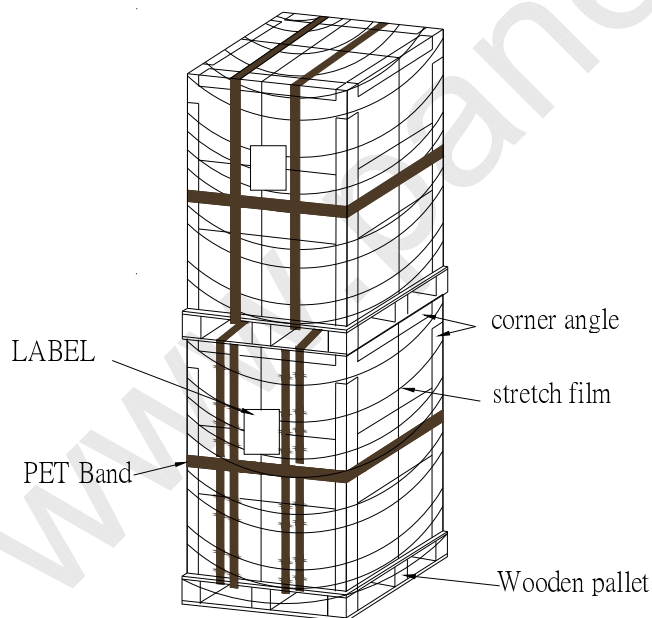
Model Name: **T645HW02 V3**
Product Specification



By sea : (2x1) x 2layer, one pallet put 2 boxes, stack 2 layers, total 24pcs module.

Dimension : 1150mm*1660mm*2334mm

Weight : 829.6kg



D. Packing Specification

	Item	Specification	Packing
--	------	---------------	---------

Model Name: **T645HW02 V3**

Product Specification

		Qty.	Dimension	Weight (kg)	Remark
1	Packing BOX	6 pcs/box	1634(L)mm*555(W)mm*1035(H)mm	197.4	
2	Pallet	1	1660(L)mm*1150(W)mm*132(H)mm	20	
3	Boxes per Pallet	2 boxes/Pallet (By Air) ; 2 Boxes/Pallet (By Sea)			
4	Panels per Pallet	12pcs/pallet(By Air) ; 12 pcs/Pallet (By Sea)			
5	Pallet after packing	12 (by Air)	1660(L)mm*1150(W)mm*1167(H)mm (by Air)	414.8 (by Air)	
		24 (by Sea)	1660(L)mm*1150(W)mm*2334(H)mm (by Sea)	829.6 (by Sea)	

Model Name: **T645HW02 V3**

Product Specification

7. Reliability Test

No	Test Item	Q'ty	Condition
1	High Temperature Storage	3 pcs	Ta = 60°C, 300Hr Judge
2	Low Temperature Storage	3 pcs	Ta = -20°C, 300Hr Judge
3	High Temperature Operation	3 pcs	Ta = 50°C, 300Hr Judge
4	Low Temperature Operation	3 pcs	Ta = -5°C , 300Hr Judge
5	Vibration Test (with carton)	1 box	Waveform: random Vibration Level: 1.5 G RMS Bandwidth:10-200Hz Duration: 30min in each X, Y, Z direction
6	Drop Test (with carton)	1 box	Bottom flats 25.4cm twice



8. International Standard

8.1 Safety

- (1) UL1950 Third Edition, Underwriters Laboratories, Inc. Jan 28, 1995
Standard for safety of information technology equipment including electrical business equipment
- (2) CAN/CSA C22.2 No. 950-95 Third Edition, Canadian Standards Association
Standard for safety of information technology equipment including electrical business equipment
- (3) EN60950: 1992+A2: 1993+A2: 1993+C3: 1995+A4: 1997+A11: 1997
IEC 950: 1991+A1: 1992+A2: 1993+C3: 1995+A4:1996
European Committee for Electrotechnical Standardization (CENELEC)
European Standard for safety of information technology equipment including electrical business equipment

8.2 EMC

- (1) ANSI C63.4 "Methods of Measurement of Radio-Noise Emissions from Low-Voltage Electrical and Electrical Equipment in the Range of 9kHz to 40GHz. "American National standards Institute(ANSI), 1992
- (2) C.I.S.P.R "Limits and Methods of Measurement of Radio Interface Characteristics of Information Technology Equipment." International Special committee on Radio Interference.
- (3) EN 55022 "Limits and Methods of Measurement of Radio Interface Characteristics of Information Technology Equipment." European Committee for Electrotechnical Standardization. (CENELEC), 1998



9. Precautions

Please pay attention to the followings when you use this TFT LCD module.

9.1 MOUNTING PRECAUTIONS

- (1) You must mount a module using holes arranged on back or edge side of panel.
- (2) You should consider the mounting structure so that uneven force (ex. twisted stress) is not applied to module. And the case on which a module is mounted should have sufficient strength so that external force is not transmitted directly to the module.
- (3) Please attach the surface transparent protective plate to the surface in order to protect the polarizer. Transparent protective plate should have sufficient strength in order to resist external force.
- (4) You should adopt radiation structure to satisfy the temperature specification.
- (5) Acetic acid type and chlorine type materials for the cover case are not desirable because the former generates corrosive gas of attacking the polarizer at high temperature and the latter cause circuit break by electro-chemical reaction.
- (6) Do not touch, push or rub the exposed polarizer with glass, tweezers or anything harder than HB pencil lead. And please do not rub with dust clothes with chemical treatment. Do not touch the surface of polarizer for bare hand or greasy cloth. (Some cosmetics are detrimental to the polarizer.)
- (7) When the surface becomes dusty, please wipe gently with absorbent cotton or other soft materials like chamois soaks with petroleum benzene. Normal-hexane is recommended for cleaning the adhesives used to attach front/rear polarizer. Do not use acetone, toluene and alcohol because they cause chemical damage to the polarizer.
- (8) Wipe off saliva or water drops as soon as possible. Their long time contact with polarizer causes deformations and color fading.
- (9) Do not open the case because inside circuits do not have sufficient strength.
- (10) Due to heavy weight, please do not handle the panel by human without proper tooling for safety consideration.

9.2 OPERATING PRECAUTIONS

- (1) The device listed in this product specification sheets was designed and manufactured for TV application.
- (2) The spike noise causes the mis-operation of circuits. It should be lower than following voltage:
V=±200mV (over and under shoot voltage)
- (3) Response time depends on the temperature. (In lower temperature, it becomes longer.)
- (4) Brightness of CCFL depends on the temperature. (In lower temperature, it becomes lower.) And in lower temperature, response time (required time that brightness is stable after turned on) becomes longer.
- (5) Be careful for condensation at sudden temperature change. Condensation makes damage to polarizer or electrical contacted parts. And after fading condensation, smear or spot will occur.
- (6) When fixed patterns are displayed for a long time, remnant image is likely to occur.



- (7) Module has high frequency circuits. Sufficient suppression to the electromagnetic interference shall be done by system manufacturers. Grounding and shielding methods may be important to minimize the interface.

9.3 ELECTROSTATIC DISCHARGE CONTROL

Since a module is composed of electronic circuits, it is not strong to electrostatic discharge. Make certain that treatment persons are connected to ground through wrist band etc. And don't touch interface pin directly.

9.4 PRECAUTIONS FOR STRONG LIGHT EXPOSURE

Strong light exposure causes degradation of polarizer and color filter.

9.5 STORAGE

When storing modules as spares for a long time, the following precautions are necessary.

- (1) Store them in a dark place. Do not expose the module to sunlight or fluorescent light. Keep the temperature between 5°C and 35°C at normal humidity.
- (2) The polarizer surface should not come in contact with any other object. It is recommended that they be stored in the container in which they were shipped.

9.6 HANDLING PRECAUTIONS FOR PROTECTION FILM

- (1) The protection film is attached to the bezel with a small masking tape. When the protection film is peeled off, static electricity is generated between the film and polarizer. This should be peeled off slowly and carefully by people who are electrically grounded and with well ion-blown equipment or in such a condition, etc.
- (2) When the module with protection film attached is stored for a long time, sometimes there remains a very small amount of flue still on the Bezel after the protection film is peeled off.
- (3) You can remove the glue easily. When the glue remains on the Bezel or its vestige is recognized, please wipe them off with absorbent cotton waste or other soft material like chamois soaked with normal-hexane.