



TAI-SAW TECHNOLOGY CO., LTD.

No. 3, Industrial 2nd Rd., Ping-Chen Industrial District,
Taoyuan, 324, Taiwan, R.O.C.

TEL: 886-3-4690038 FAX: 886-3-4697532

E-mail: tstsales@mail.taisaw.com Web: www.taisaw.com

Approval Sheet For Product Specification

Issued Date:

Product Name: SAW Filter 942.5MHz

TST Parts No.:TA0179A

Customer Parts No.:_____

| |
|---------------------|
| Company: _____ |
| Division: _____ |
| Approved by : _____ |
| Date: _____ |

Checked by: _____ Elvis Chiu

Approval by: _____ Francis Chen

Date: _____ 2003/1/13



TAI-SAW TECHNOLOGY CO., LTD.

No. 3, Industrial 2nd Rd., Ping-Chen Industrial District,
Taoyuan, 324, Taiwan, R.O.C.

TEL: 886-3-4690038 FAX: 886-3-4697532

E-mail: tstsales@mail.taisaw.com Web: www.taisaw.com

SAW Filter 942.5 MHz

MODEL NO.: TA0179A

REV. NO.:2

A. MAXIMUM RATING:

1. Input Power Level: 15 dB_m
2. DC voltage: 0 V
3. Operating Temperature: -30°C to +80°C
4. Storage Temperature: -40°C to +85°C

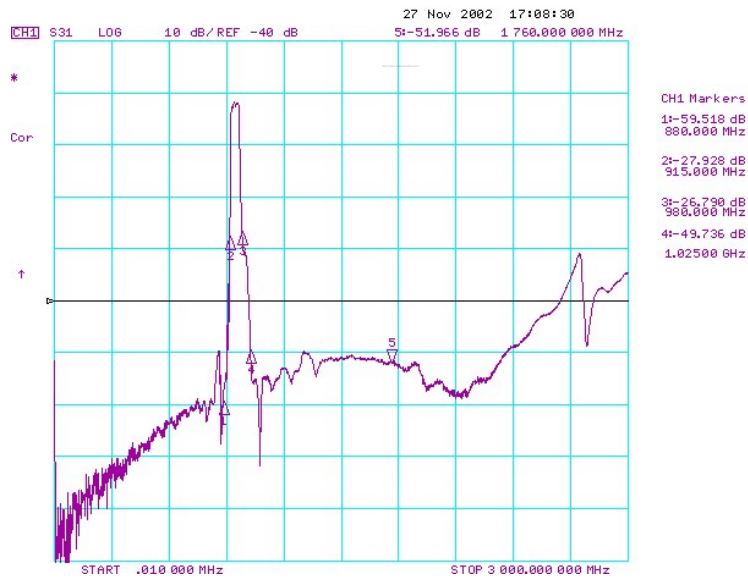
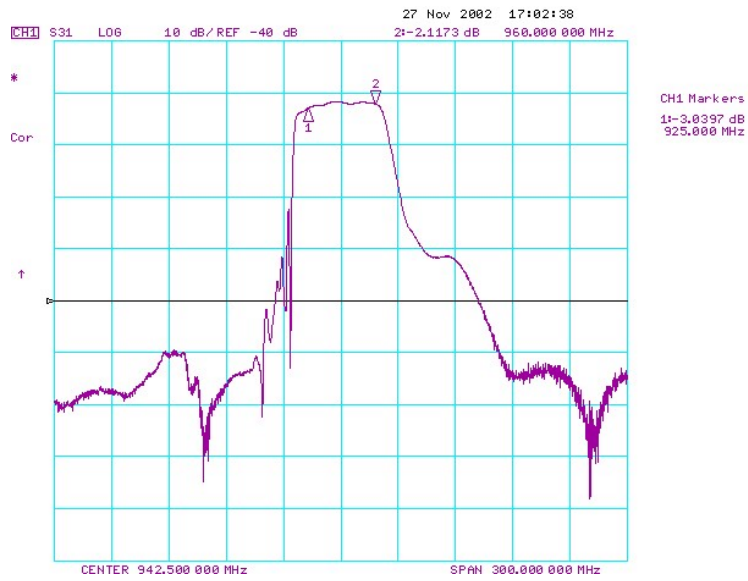
RoHS Compliant
Lead free
Lead-free soldering

B. ELECTRICAL CHARACTERISTICS:

| Characteristics | | | Specification | | | Note | |
|---|----------------------|--------------------------------|---------------|-------------|-----|------|---|
| | | | Min. | Typ. | Max | | |
| Center frequency | F_c | MHz | - | 942.5 | - | - | |
| Insertion loss | 925~960 MHz | I.L. | dB | - | 3.0 | 4.0 | - |
| Ripple | 925~960 MHz | | dB | - | 1.3 | 2.3 | - |
| V.S.W.R | 925~960 MHz | | | - | 2.0 | 2.6 | - |
| Attenuation: (Reference level from 0 dB) | | | | | | | |
| | 0 ~ 750 MHz | | dB | 50 | 60 | - | - |
| | 750 ~ 880 MHz | | dB | 43 | 50 | - | - |
| | 880 ~ 905 MHz | | dB | 31 | 42 | - | - |
| | 980 ~ 1005 MHz | | dB | 21 | 28 | - | - |
| | 1005 ~ 1025 MHz | | dB | 28 | 33 | - | - |
| | 1025 ~ 1035 MHz | | dB | 35 | 49 | - | - |
| | 1035 ~ 1760 MHz | | dB | 40 | 50 | - | - |
| | 1760 ~ 3000 MHz | | dB | 25 | 31 | - | - |
| Impedance at F_c | Input | $Z_{IN} = R_{IN} // C_{IN}$ | | 50Ω // 0 PF | | | 1 |
| | Output | $Z_{OUT} = R_{OUT} // C_{OUT}$ | | 50Ω // 0 PF | | | 1 |

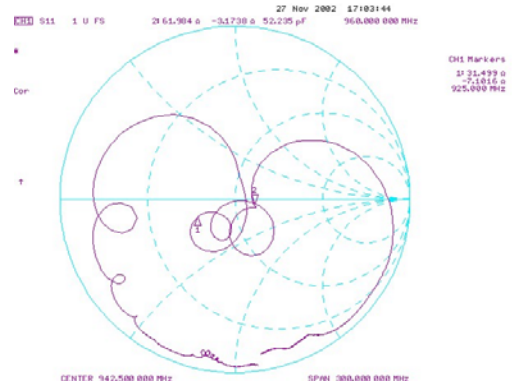
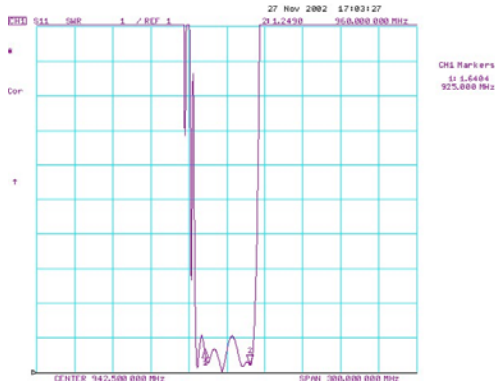
Note1. No matching network required for operation at 50 Ω

C. Transfer Function :

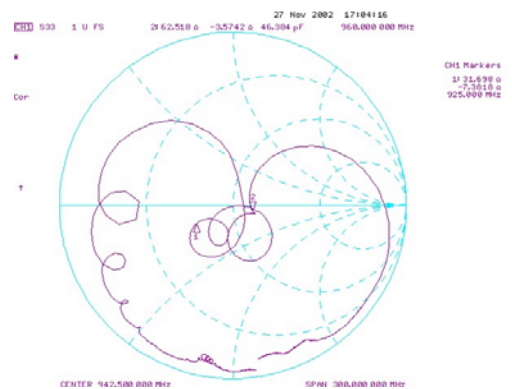
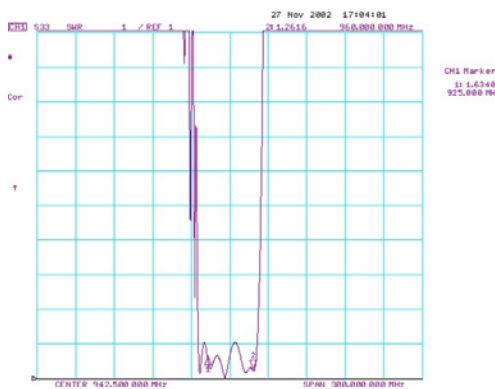


D. Reflections Functions :

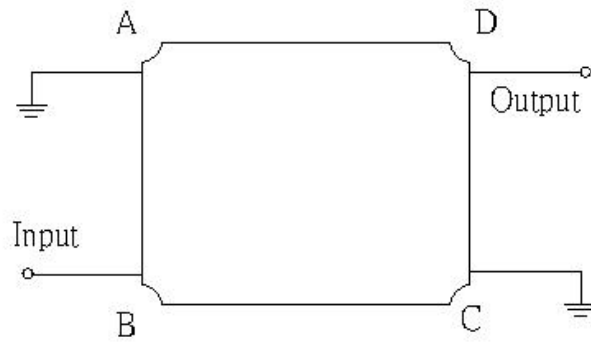
S11



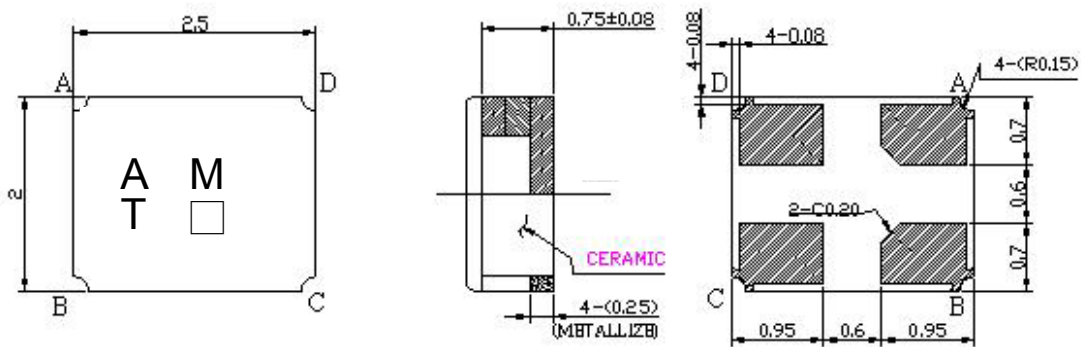
S22



E. MEASUREMENT CIRCUIT:



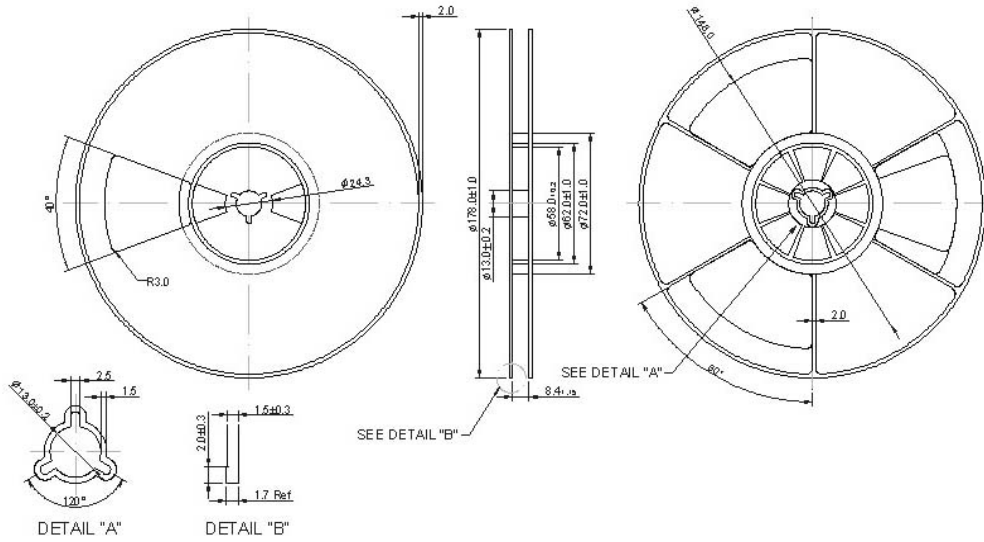
F. OUTLINE DRAWING:



- B : Input
- D : Output
- A, C : Ground
- : Date Code
- Unit : mm

G. PACKING:

1. REEL DIMENSION



2. TAPE DIMENSION

