



TAI-SAW TECHNOLOGY CO., LTD.

No. 3, Industrial 2nd Rd., Ping-Chen Industrial District,
Taoyuan, 324, Taiwan, R.O.C.

TEL: 886-3-4690038 FAX: 886-3-4697532

E-mail: tstsales@mail.taisaw.com Web: www.taisaw.com

Approval Sheet For Product Specification

Issued Date: Nov, 24, 2005

Product Name: SAW Filter 1575.42 MHz SMD 2.0X1.6 mm

TST Parts No.:TA0502A

Customer Parts No.: _____

Company: _____
Division: _____
Approved by : _____
Date: _____

Checked by: _____ Bob Chau

Approval by: _____ Francis Chen

Date: _____ 11, 24, 2005



TAI-SAW TECHNOLOGY CO., LTD.

No. 3, Industrial 2nd Rd., Ping-Chen Industrial District,
Taoyuan, 324, Taiwan, R.O.C.

TEL: 886-3-4690038 FAX: 886-3-4697532

E-mail: tstsales@mail.taisaw.com Web: www.taisaw.com

SAW Filter 1575.42 MHz for GPS

MODEL NO.: TA0502A

REV. NO.:1

A. MAXIMUM RATING:

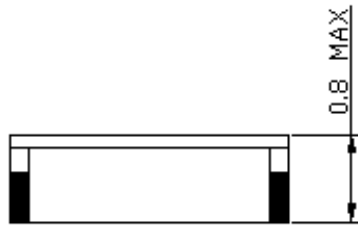
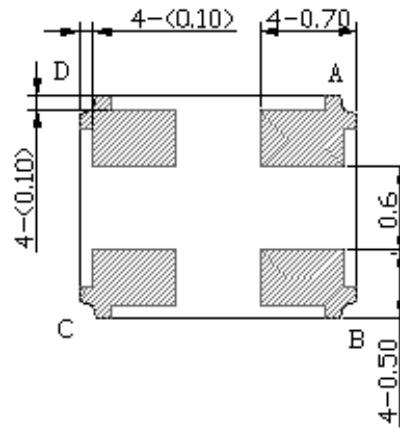
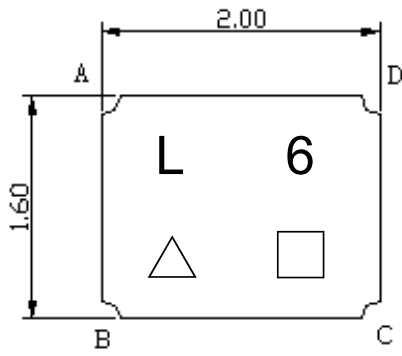
1. Input Power Level: 10 dB_m
2. DC voltage: 5 V
3. Operating Temperature: -30°C to +85°C
4. Storage Temperature: -40°C to +95°C

RoHS Compliant
Lead free
Lead-free soldering

B. ELECTRICAL CHARACTERISTICS:

Item		Min.	Typ.	Max.
Center frequency	F_c (MHz)	-	1575.42	-
Insertion loss (1574.42~1576.42 MHz)	IL (dB)	-	2.5	3.5
Amplitude ripple (1574.42~1576.42 MHz)	(dB)	-	0.1	1.0
Attenuation (Reference level from 0 dB)				
1475.42	MHz (dB)	28	30	-
1535.42	MHz (dB)	30	38	-
1615.42	MHz (dB)	30	50	-
1675.42	MHz (dB)	32	35	-
VSWR (1574.42~1576.42 MHz)		-	1.2	2.0
Source impedance	Z_s (Ω)	-	50	-
Load impedance	Z_L (Ω)	-	50	-

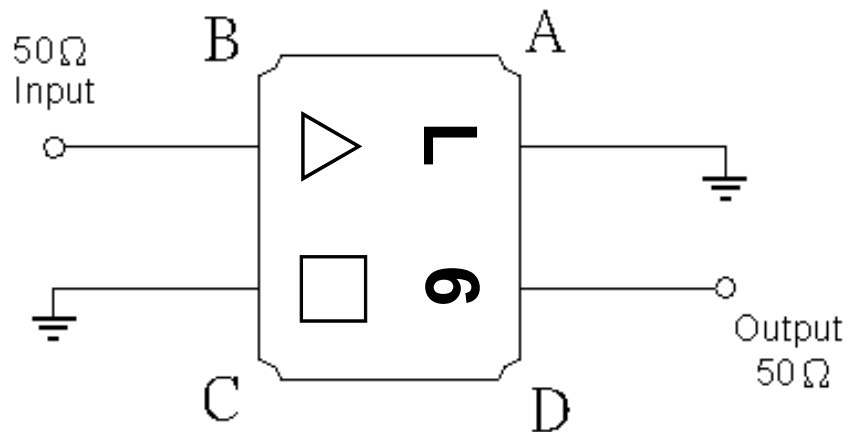
C. OUTLINE DRAWING:



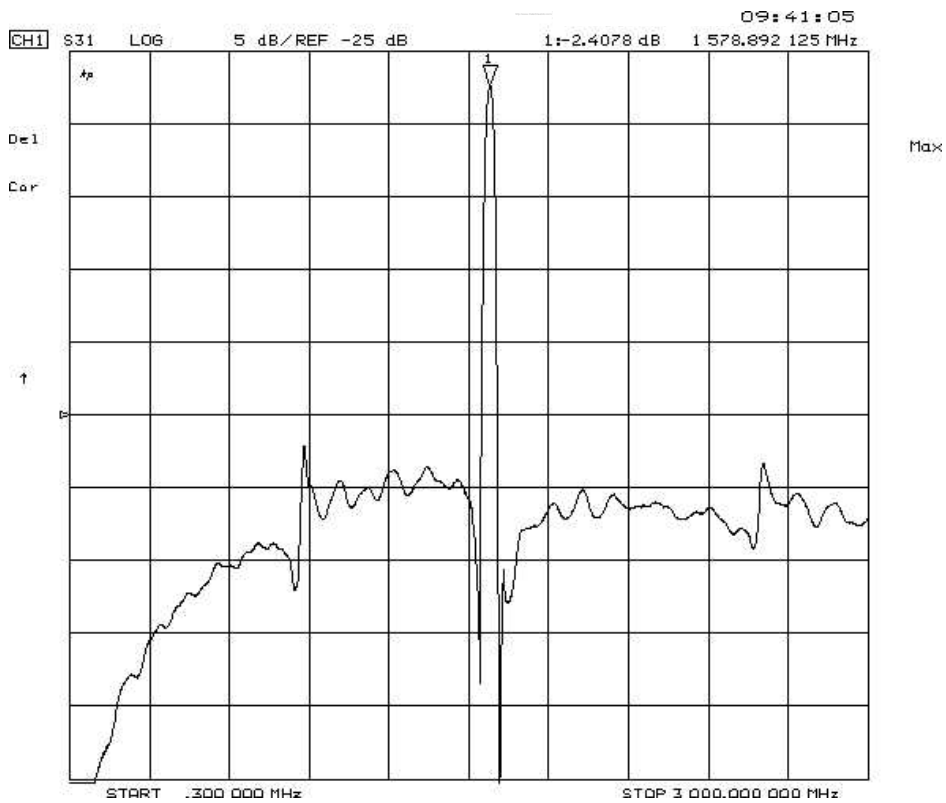
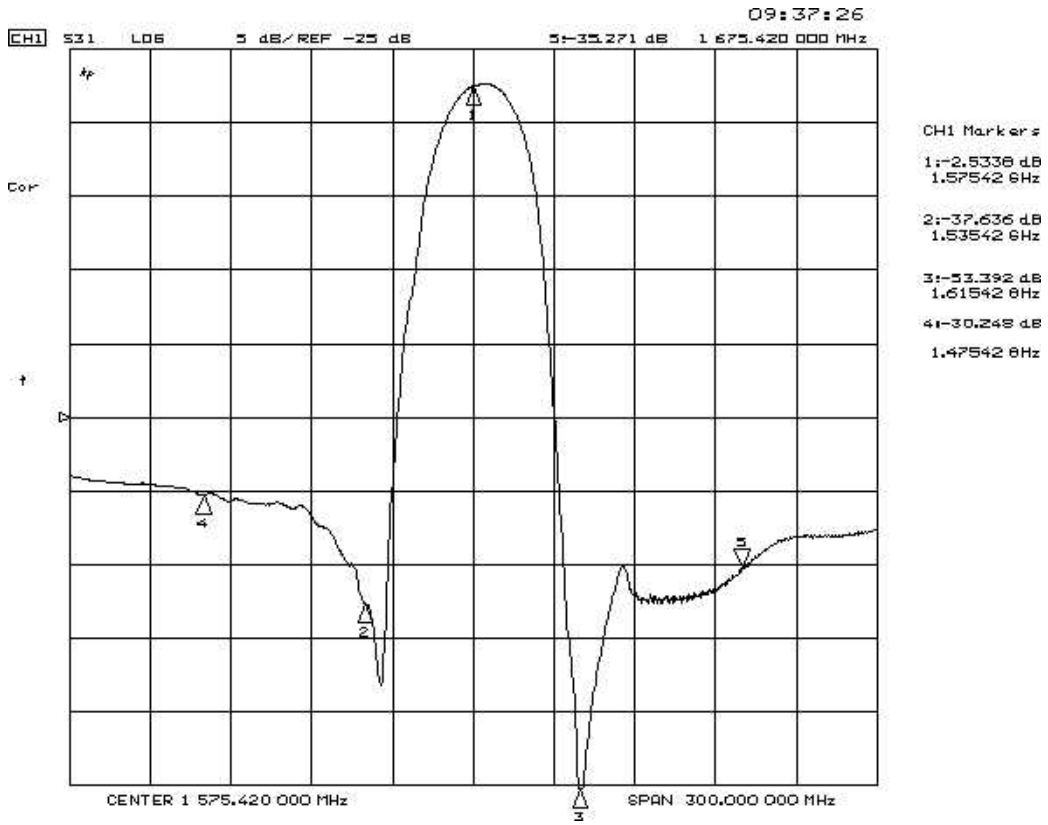
#B : Input
 #D : Output
 #A,C : Ground
 Unit : mm

△ : Year Code
 □ : Date Code

D. MEASUREMENT CIRCUIT:

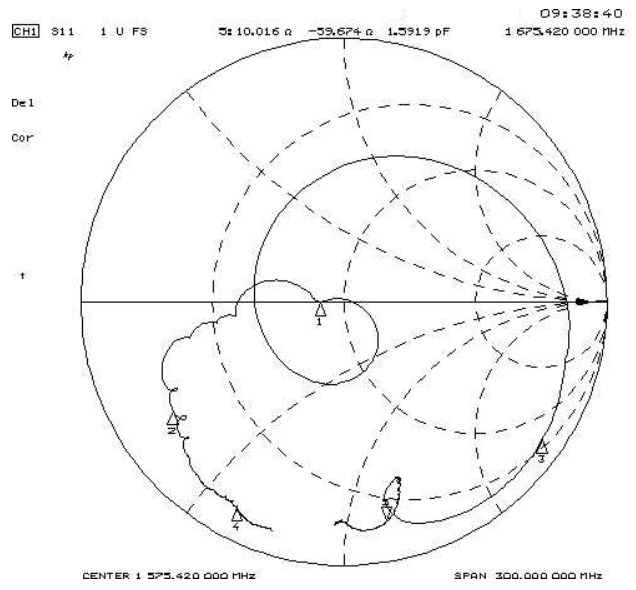
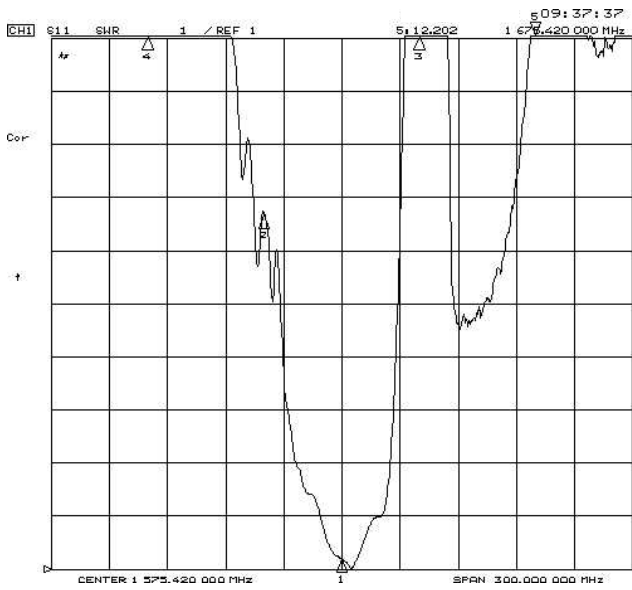


E. Frequency Characteristics : Transfer function

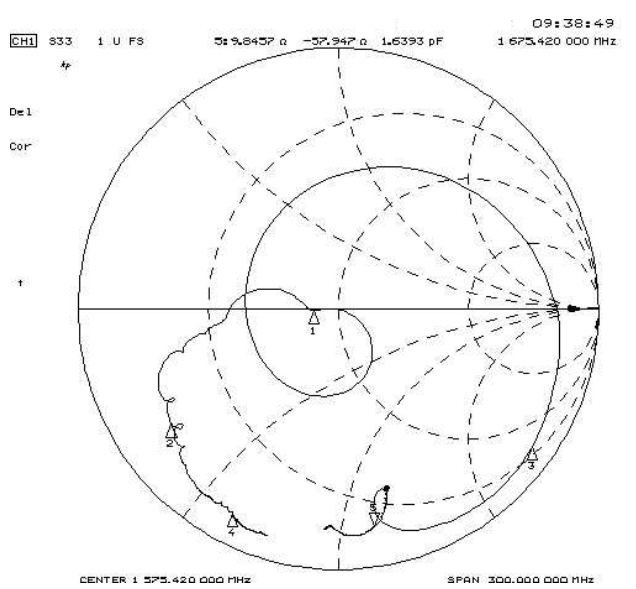
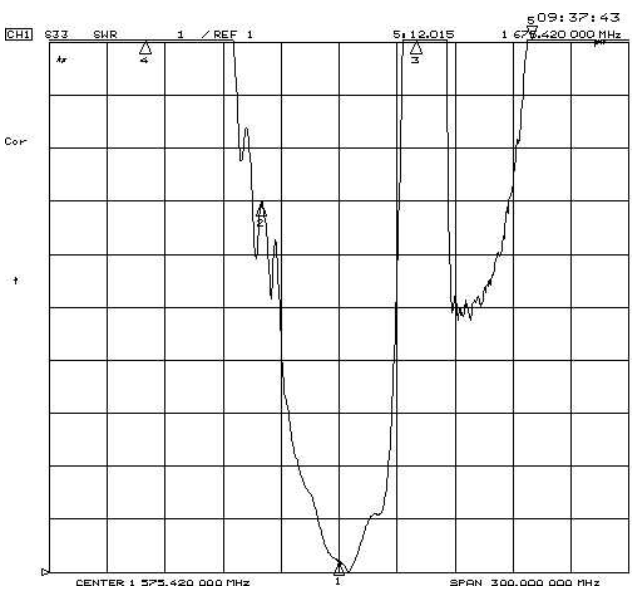


Reflections Functions :

S11 VSWR

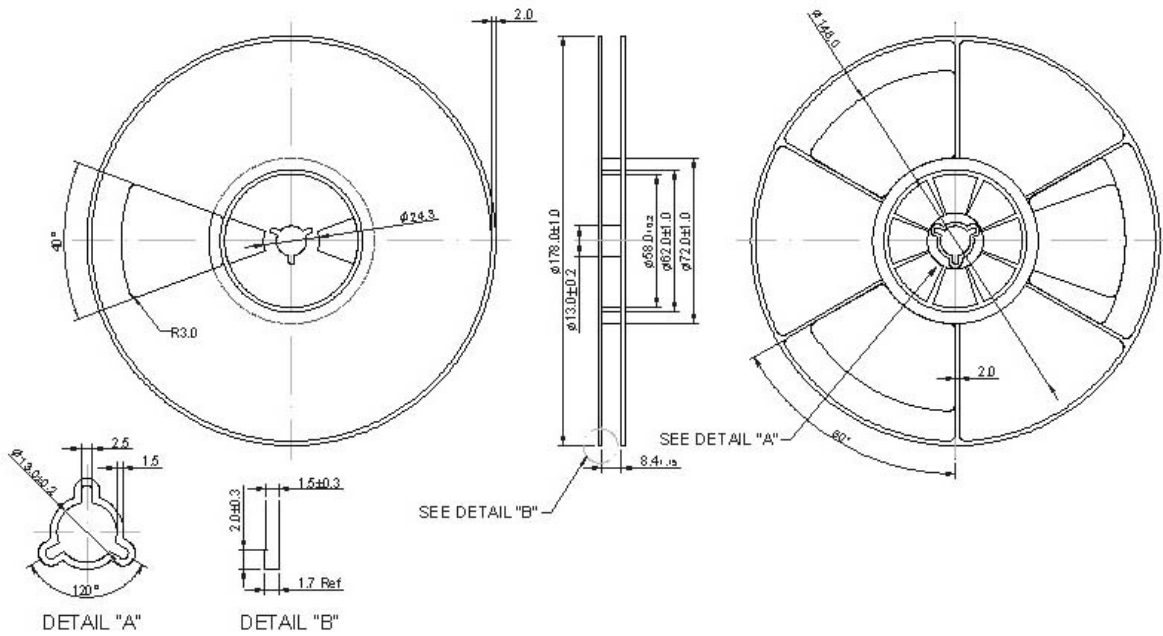


S22 VSWR



F. PACKING:

1. REEL DIMENSION



2. TAPE DIMENSION

