



TAI-SAW TECHNOLOGY CO., LTD.

No. 3, Industrial 2nd Rd., Ping-Chen Industrial District,
Taoyuan, 324, Taiwan, R.O.C.

TEL: 886-3-4690038 FAX: 886-3-4697532

E-mail: tstsales@mail.taisaw.com Web: www.taisaw.com

Approval Sheet For Product Specification

Issued Date:

Product Name: SAW Filter 500MHz SMD 3.0×3.0mm

TST Parts No.:TA0506A

Customer Parts No.:_____

| |
|---------------------|
| Company: _____ |
| Division: _____ |
| Approved by : _____ |
| Date: _____ |

Checked by: _____ Elvis Chiu

Approval by: _____ Francis Chen

Date: _____ 2005/08/15



TAI-SAW TECHNOLOGY CO., LTD.

No. 3, Industrial 2nd Rd., Ping-Chen Industrial District,
Taoyuan, 324, Taiwan, R.O.C.

TEL: 886-3-4690038 FAX: 886-3-4697532

E-mail: tstsales@mail.taisaw.com Web: www.taisaw.com

SAW Filter 500 MHz

MODEL NO.: TA0506A

REV. NO.:1

A. MAXIMUM RATING:

1. Input Power Level: 5 dB_m
2. DC voltage: 5 V
3. Operating Temperature: -20°C to 70°C
4. Storage Temperature: -40°C to +85°C

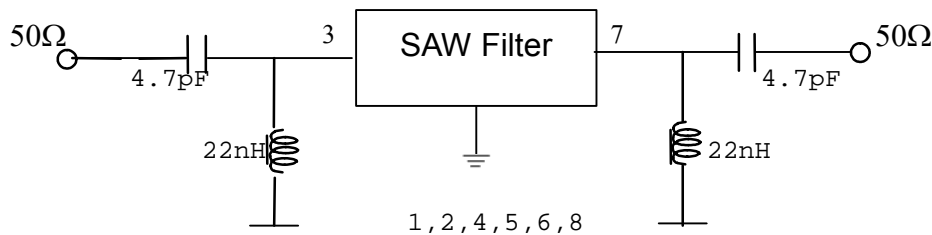
RoHS Compliant
Lead free
Lead-free soldering

B. CHARACTERISTICS:

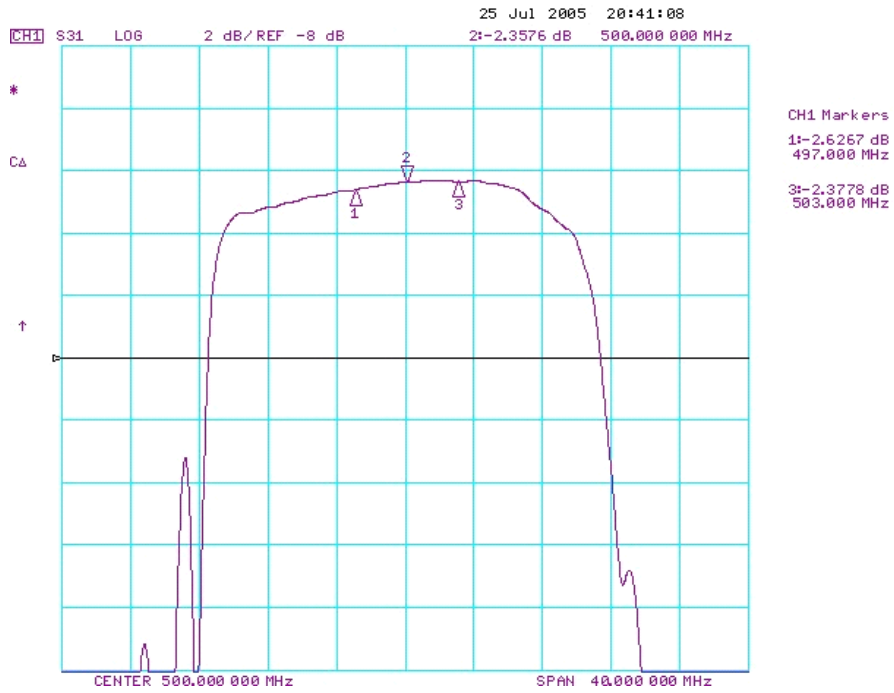
| Item | | | | Min. | Typ. | Max. |
|---|---------------|-----|----|------|------|------|
| Center frequency | Fc | MHz | | - | 500 | - |
| Insertion loss | 497 ~ 503 MHz | IL | dB | - | 2.7 | 4.7 |
| Amplitude ripple | 497 ~ 503 MHz | | dB | - | 0.4 | 2.0 |
| Attenuation (Reference level from 0dB) | | | | | | |
| | 412 ~ 434 | MHz | dB | 39 | 50 | - |
| | 434 ~ 465 | MHz | dB | 33 | 43 | - |
| | 553 ~ 567 | MHz | dB | 33 | 50 | - |
| | 567 ~ 588 | MHz | dB | 40 | 55 | - |

C. MEASUREMENT CIRCUIT:

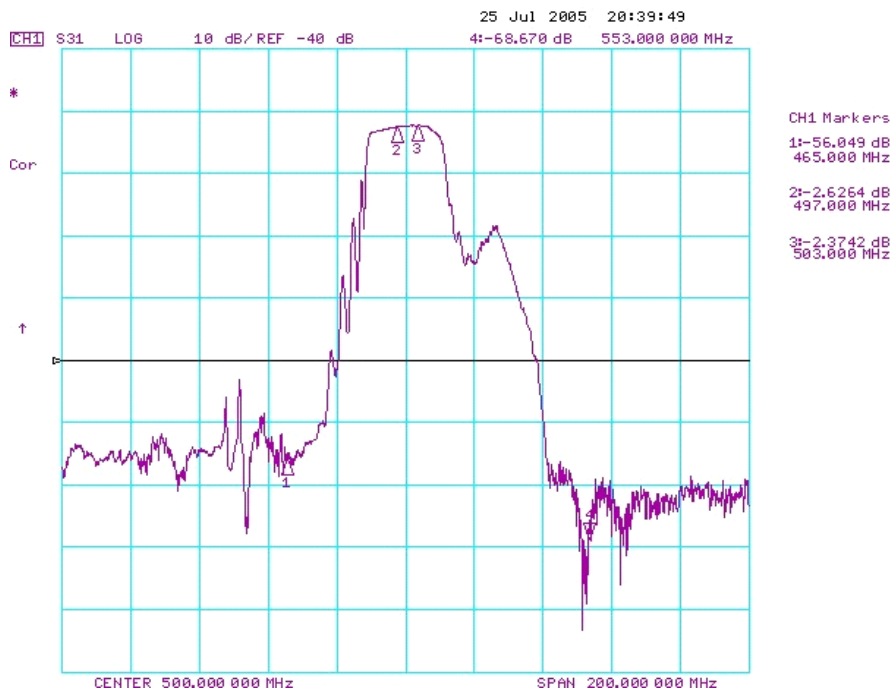
HP Network analyzer



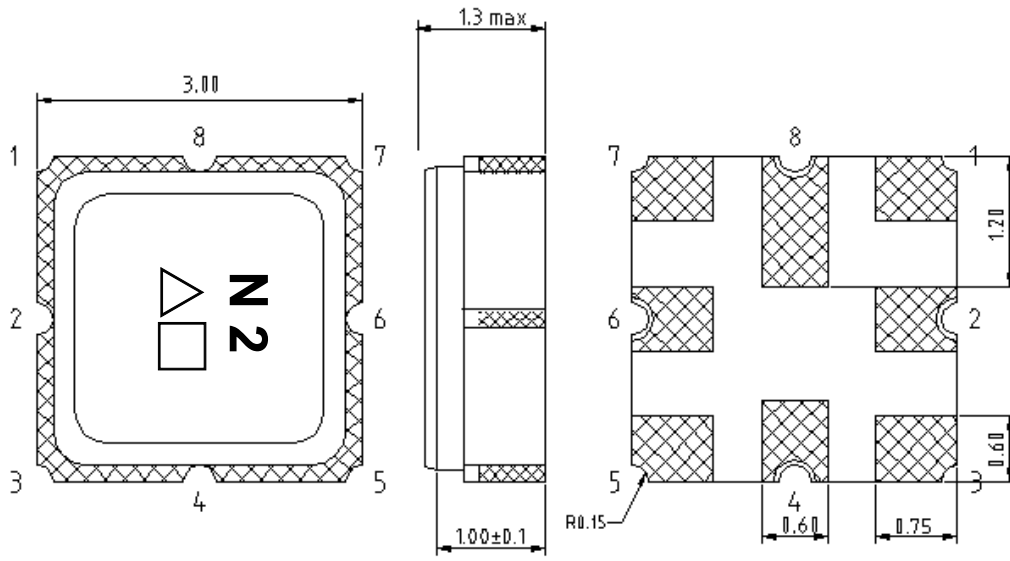
D. TRANSFER FUNCTION :



Wideband

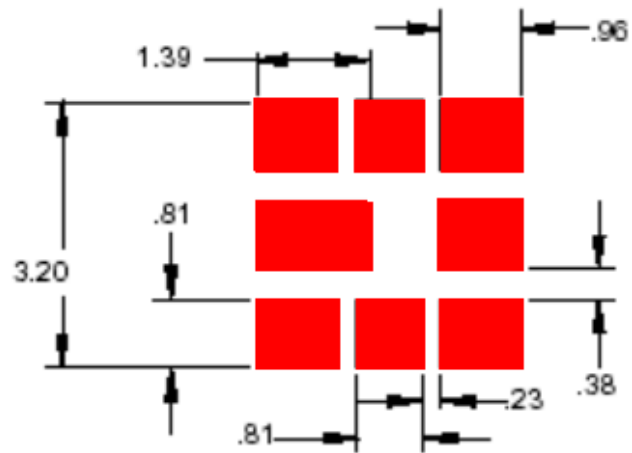


E.OUTLINE DRAWING:



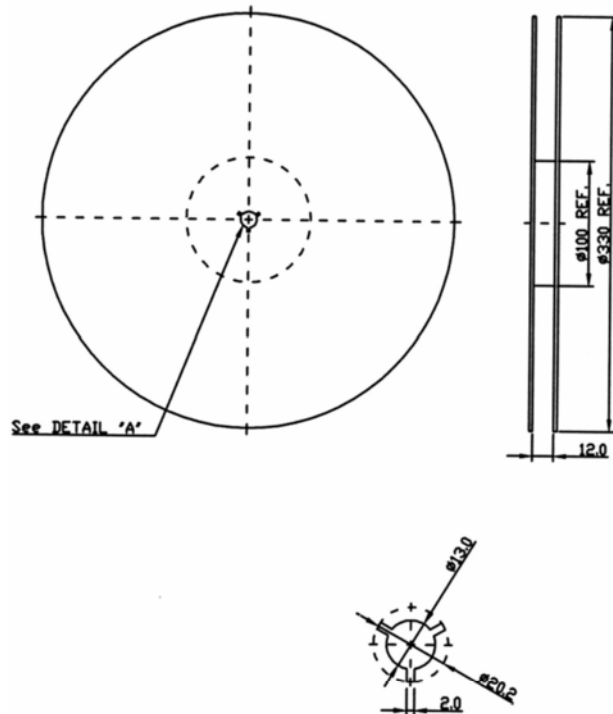
3: Input
 7: Output
 1,2,4,5,6,8: Ground
 △: Year code
 □: Date code
 Unit: mm

F.PCB FOOTPRINT:



G. PACKING:

1. REEL DIMENSION



2. TAPE DIMENSION

