



TAI-SAW TECHNOLOGY CO., LTD.

No. 3, Industrial 2nd Rd., Ping-Chen Industrial District,
Taoyuan, 324, Taiwan, R.O.C.

TEL: 886-3-4690038 FAX: 886-3-4697532

E-mail: tstsales@mail.taisaw.com Web: www.taisaw.com

Approval Sheet For Product Specification

Issued Date: Sep, 8, 2005

Product Name: SAW Filter 2345 MHz SMD 3X3 mm

TST Parts No.:TA0515A

Customer Parts No.: _____

Company: _____
Division: _____
Approved by : _____
Date: _____

Checked by: _____ Bob Chau

Approval by: _____ Francis Chen

Date: _____ 9, 8, 2005



TAI-SAW TECHNOLOGY CO., LTD.

No. 3, Industrial 2nd Rd., Ping-Chen Industrial District,
Taoyuan, 324, Taiwan, R.O.C.

TEL: 886-3-4690038 FAX: 886-3-4697532

E-mail: tstsales@mail.taisaw.com Web: www.taisaw.com

SAW Filter 2345 MHz

MODEL NO.: TA0515A

REV. NO.:1

A. MAXIMUM RATING:

1. Input Power Level: 10 dB_m
2. DC voltage: 3 V
3. Operating Temperature: -40°C to +85°C
4. Storage Temperature: -50°C to +95°C

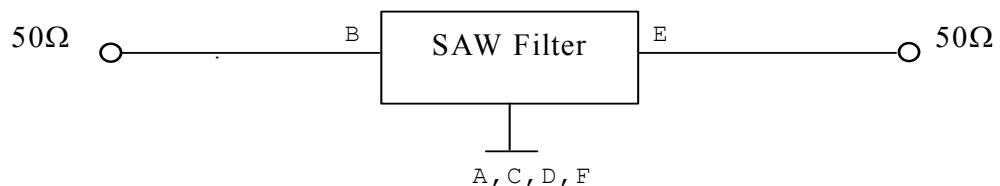
RoHS Compliant
Lead free
Lead-free soldering

B. ELECTRICAL CHARACTERISTICS:

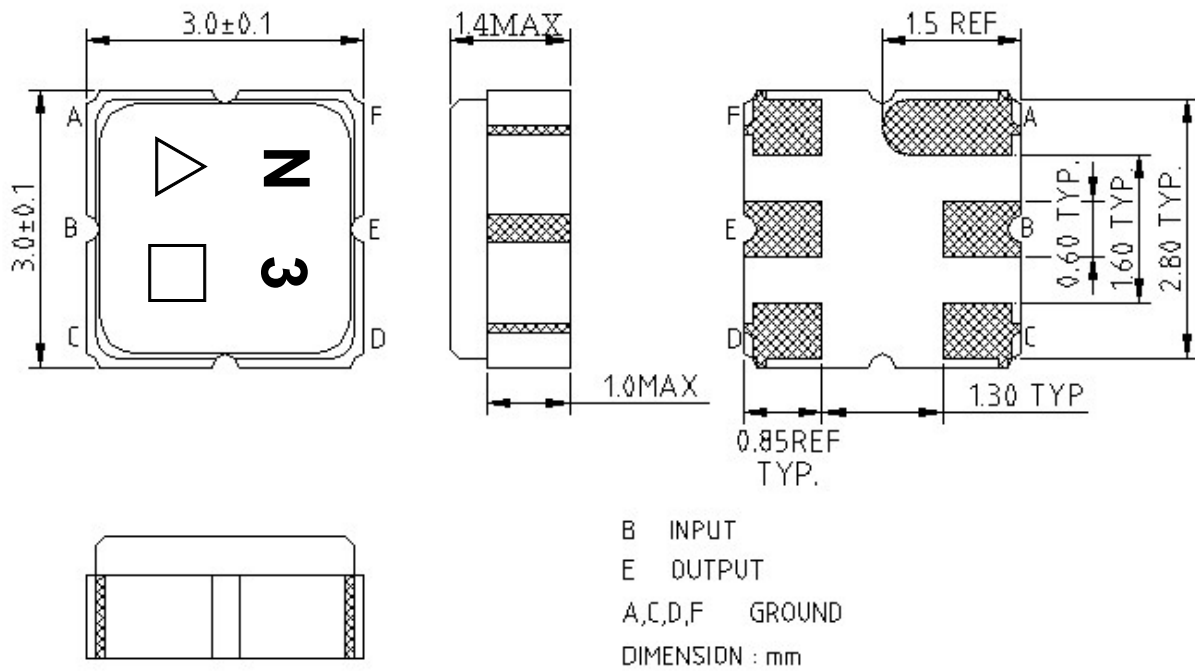
Item		Min.	Typ.	Max.
Center frequency	F_c (dB)	-	2345	-
Insertion loss (2331.5~2358.5 MHz)	IL (dB)	-	2.3	4.0
Amplitude ripple (2331.5~2358.5 MHz)	(dB)	-	0.9	2.0
Group delay ripple (2331.5~2358.5 MHz)	(ns)	-	5	50
Attenuation (Reference level from 0 dB)				
D.C. ~ 2187	MHz (dB)	40	42.6	-
2239	MHz (dB)	27	43	-
2412	MHz (dB)	12	40	-
2438	MHz (dB)	17	59	-
2512	MHz (dB)	27	59	-
2538	MHz (dB)	32	62	-
2700 ~ 3500	MHz (dB)	30	39	-
VSWR (2331.5~2358.5 MHz)		-	1.4	2.5
Source impedance	Z _s (Ω)	-	50	-
Load impedance	Z _L (Ω)	-	50	-

C. MEASUREMENT CIRCUIT:

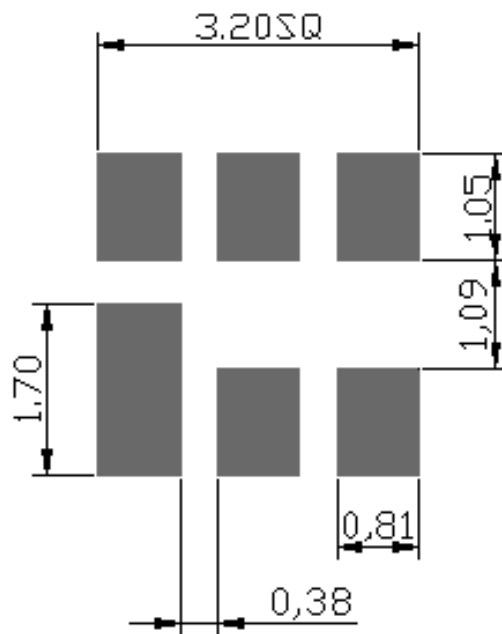
HP Network analyzer



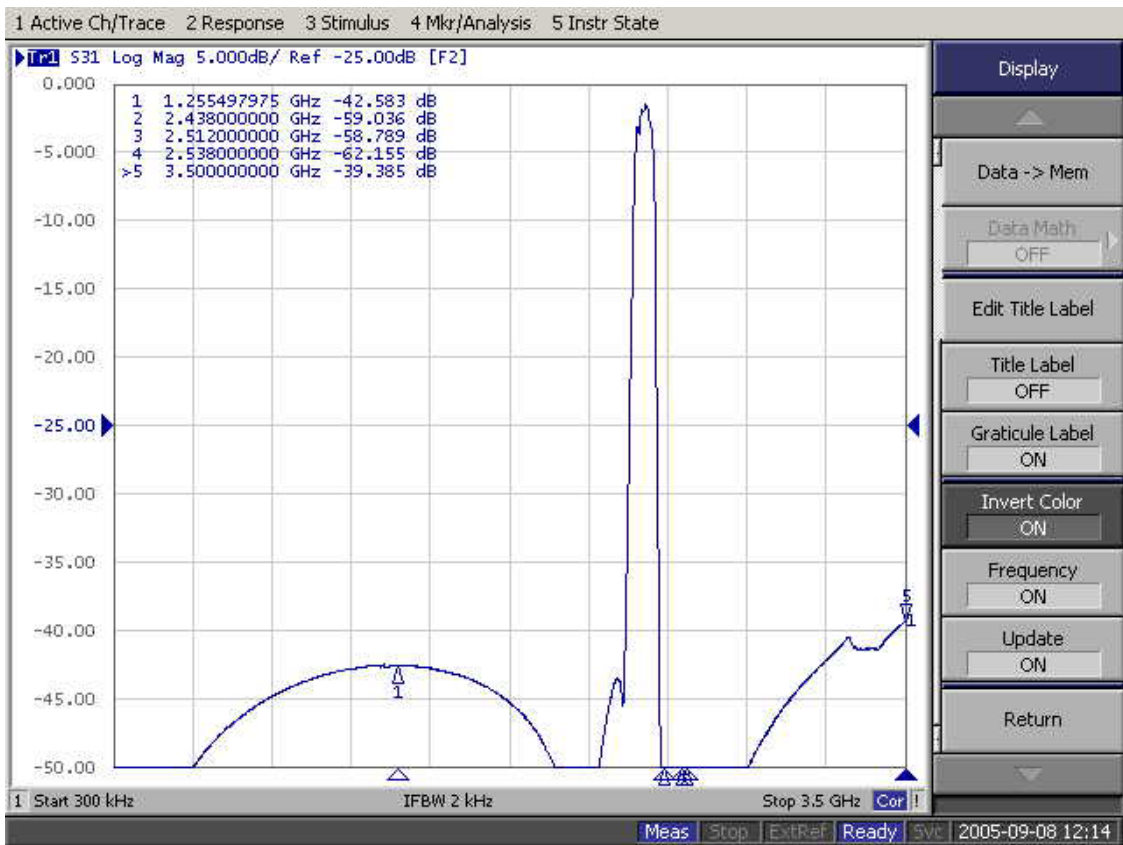
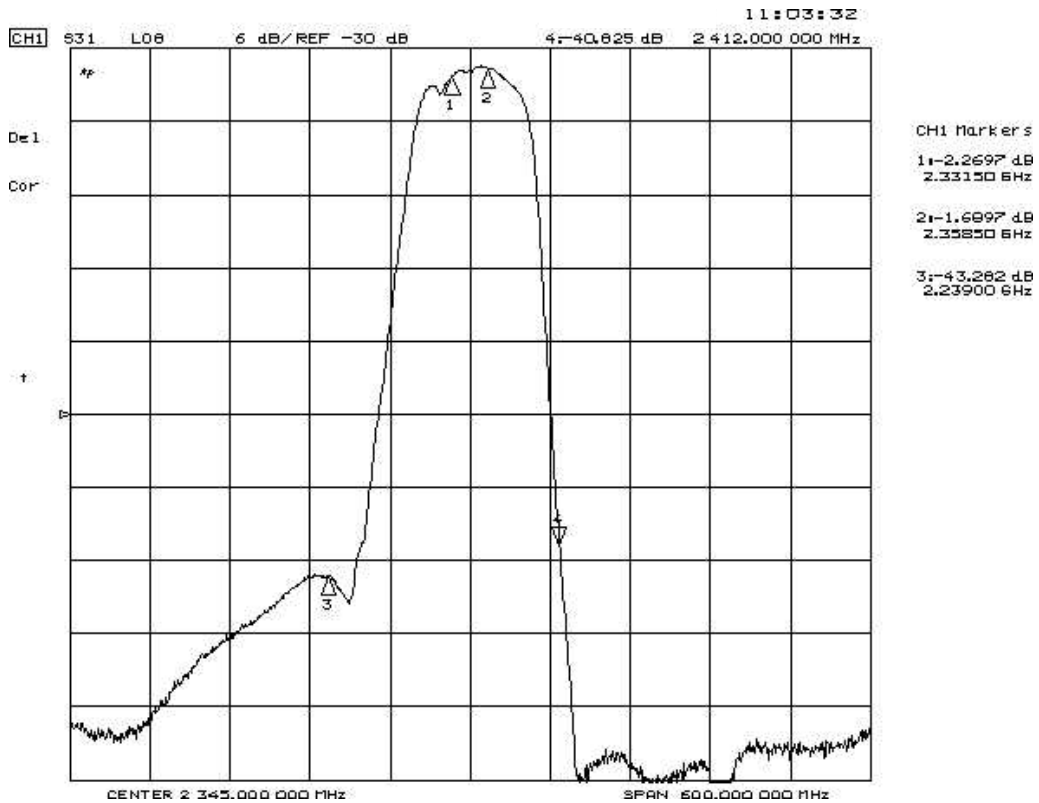
D. OUTLINE DRAWING:



E. PCB Footprint:

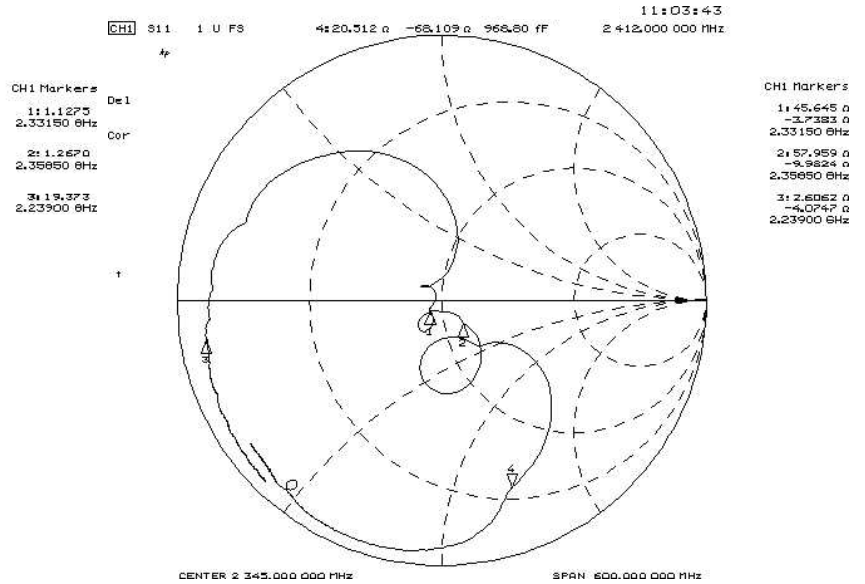
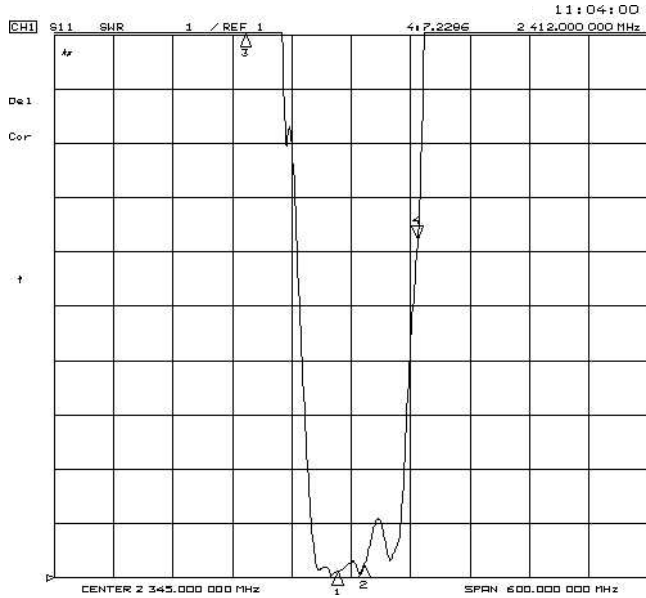


F. Frequency Characteristics : Transfer function

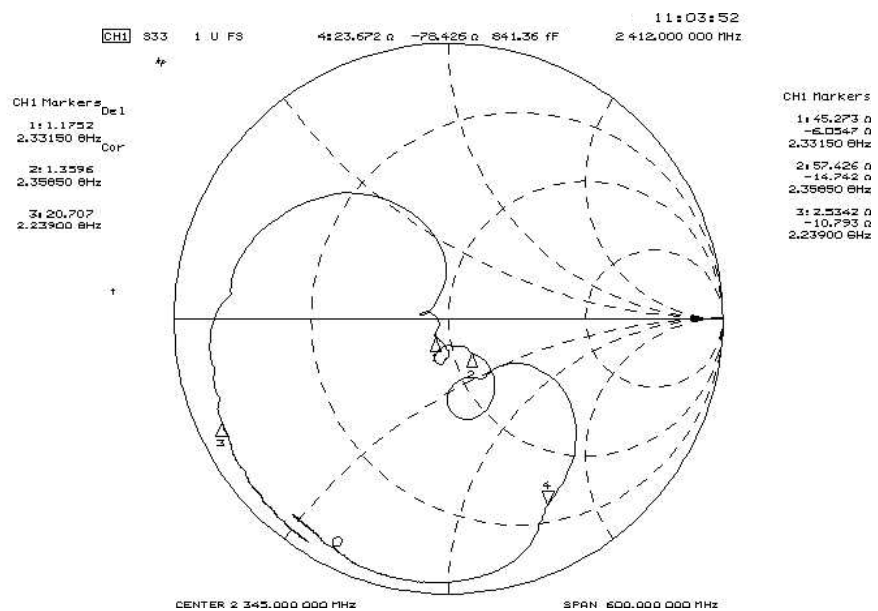
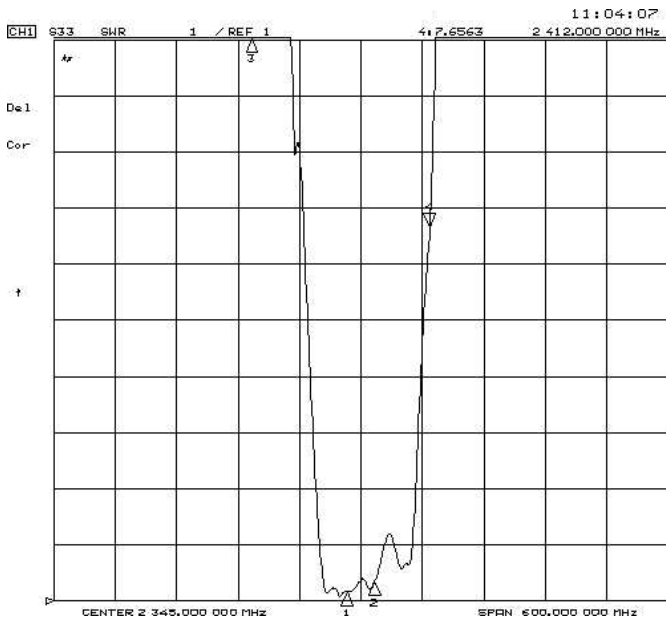


Reflections Functions :

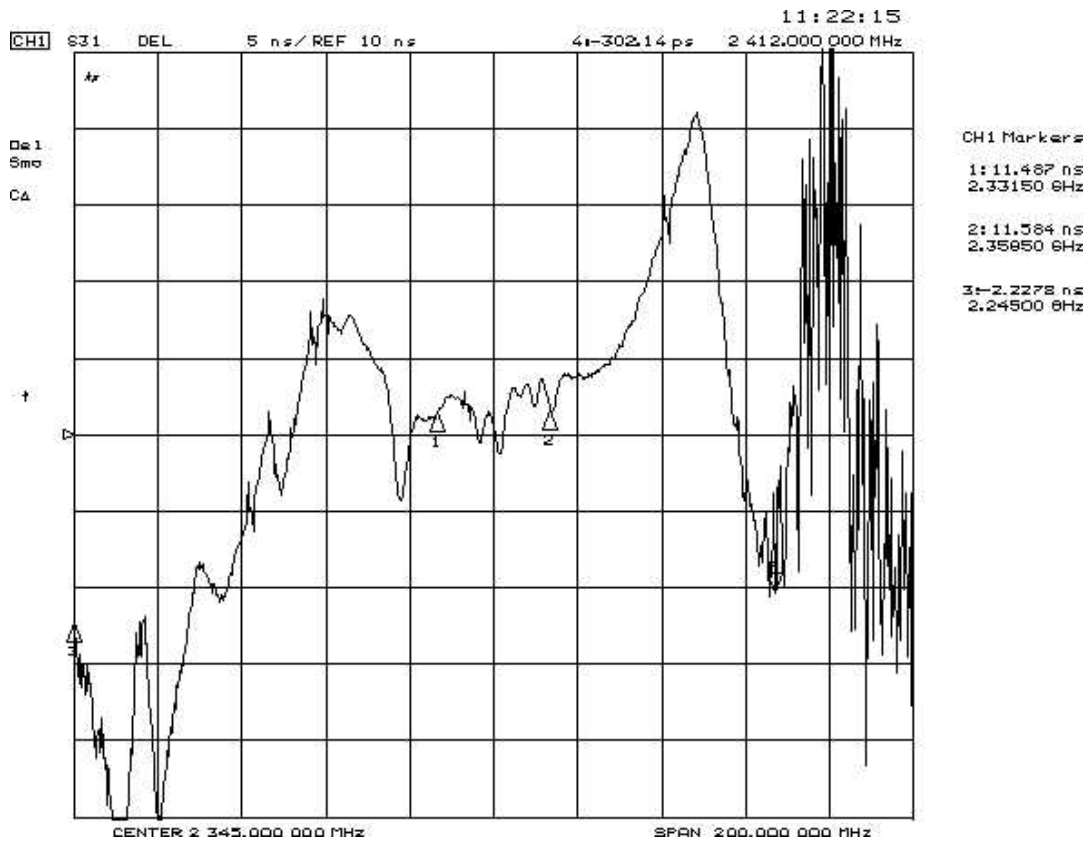
S11 VSWR



S22 VSWR

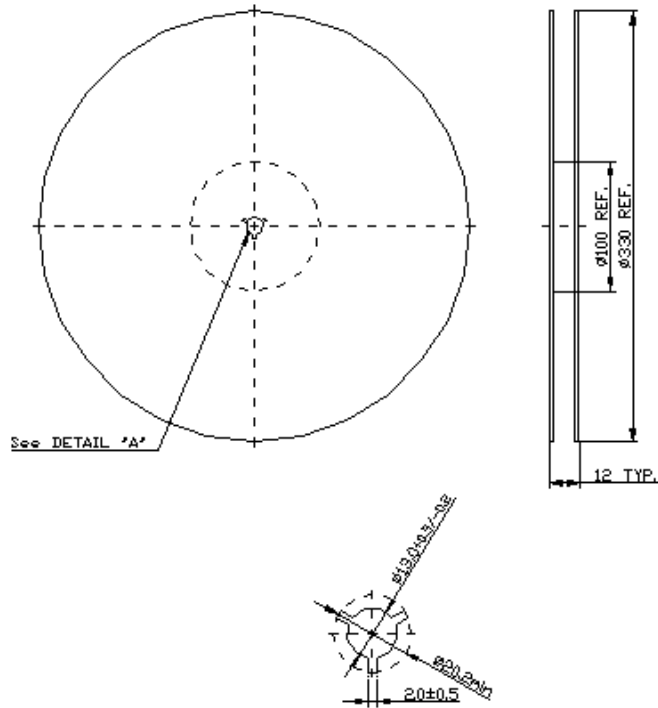


Group Delay :



G. PACKING:

1. REEL DIMENSION



2. TAPE DIMENSION

