

**POWER OVER ETHERNET PoE MAGNETICS**  
**10/100BASE-TX VoIP Magnetics Modules**  
**MODEL NO:TA16111S1 (Bottom Open)**

**FEATURE:**

RoHS Compliant  
Operating Temperature. : -40°C ~ +85°C  
Meet IEEE802.3at with 600 mA current capability.

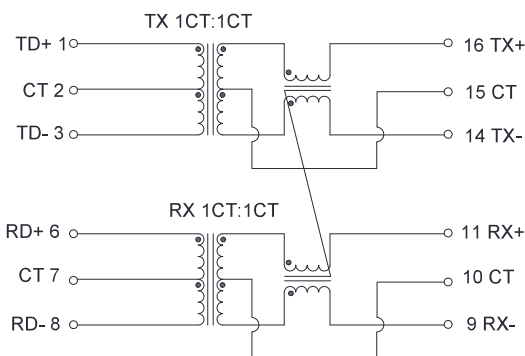
**SPECIFICATIONS:@ 25°C**

OCL : 350 uH Min. @100KHz 100 mV / with 8 mA DC Bias

DCR : 1.0 Ω Max.

Insertion Loss MHz (dB MAX)	Cross Talk MHz (dB MIN)			Return Loss MHz (dB MIN)				Common Mode Rejection MHz (dB MIN)			Cw/w (pf typ.)	HI POT (VAC)
	30	60	100	1~30	40	50	60~80	30	60	100		
1~100	30	60	100	1~30	40	50	60~80	30	60	100	25	1500
-1.2	-45	-40	-35	-16	-14	-13	-12	-43	-37	-33		

**SCHEMATICS:**



**DIMENSION: mm ; TOLERANCE:±0.25**

