

TOSHIBA Bipolar Linear Integrated Circuit Silicon Monolithic

TA2026SN, TA2026F

Unbalanced To Balances Signal Converter

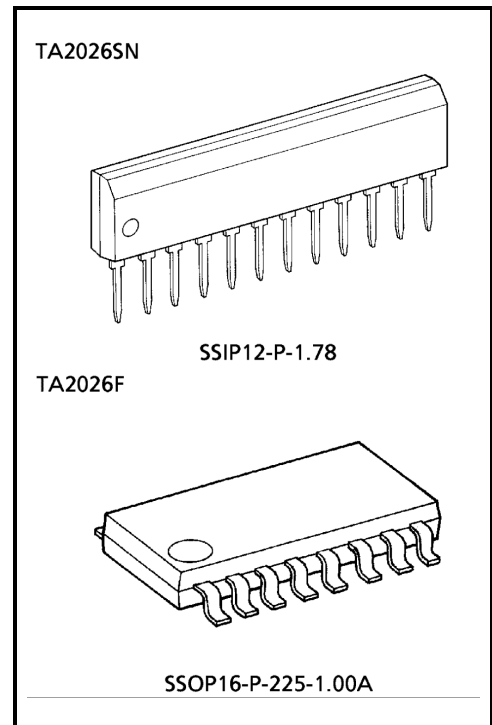
The TA2026SN, TA2026F are unbalanced to balanced signal converter IC for component type car audio equipments. Noise level of audio signal increases by ground noise and induction noise while transfered between head unit and other equipments. To reduce these effect, balanced signal transfer system is effective.

TA2026SN, TA2026F have built-in dual balanced signal output amplifier and audio muting circuit.

In application with ground isolator IC ; TA8181SN, TA8181F for line input stage, high performance balanced signal transfer system can be composed.

Features

- Dual channel
- Voltage gain: $G_V = 6\text{dB}$ (typ.)
- Maximum output voltage
 - : $V_{OM} = 3V_{rms}$ (typ.)
 - ($V_{CC} = 8V, f = 1\text{kHz}, THD = 0.1\%$)
- Total harmonic distortion
 - : $THD = 0.004\%$ (typ.)
 - ($V_{CC} = 8V, f = 1\text{kHz}, V_{out} = 1V_{rms}$)
- Output noise voltage
 - : $V_{NO} = 1.8\mu V_{rms}$ (typ.)
 - ($V_{CC} = 8V, R_g = 620\Omega, BW = 20\text{Hz}\sim 20\text{kHz}$)
- Audio muting circuit
 - : $ATT = -90\text{dB}$ (typ.)
- Small package
 - : 1.778mm pitch shrink single in-line 12pin: TA2026SN
 - 1.0mm pitch mini flat 16pin: TA2026F
- Operating supply voltage range
 - : $V_{CC}(\text{opr.}) = 5\sim 12V$ ($T_a = 25^\circ\text{C}$)



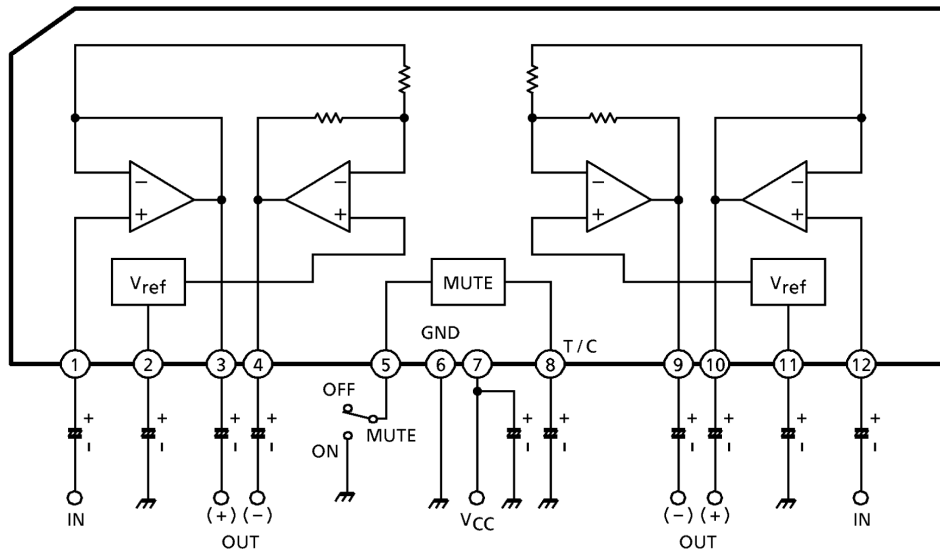
Weight

SSIP12-P-1.78: 0.65g (typ.)

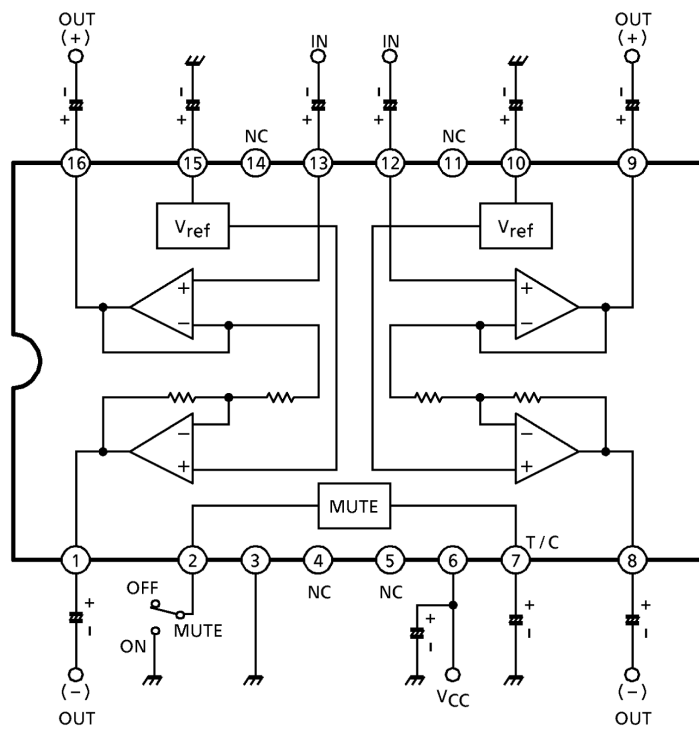
SSOP16-P-225-1.00A: 0.14g (typ.)

Block Diagram

TA2026SN



TA2026F



Maximum Ratings (Ta = 25°C)

Characteristic	Symbol	Rating	Unit
Supply voltage	V _{CC}	15	V
Power dissipation	TA2026SN	P _D (Note)	mW
	TA2026F		
		350	
Operating temperature	T _{opr}	-30~85	°C
Storage temperature	T _{stg}	-55~150	°C

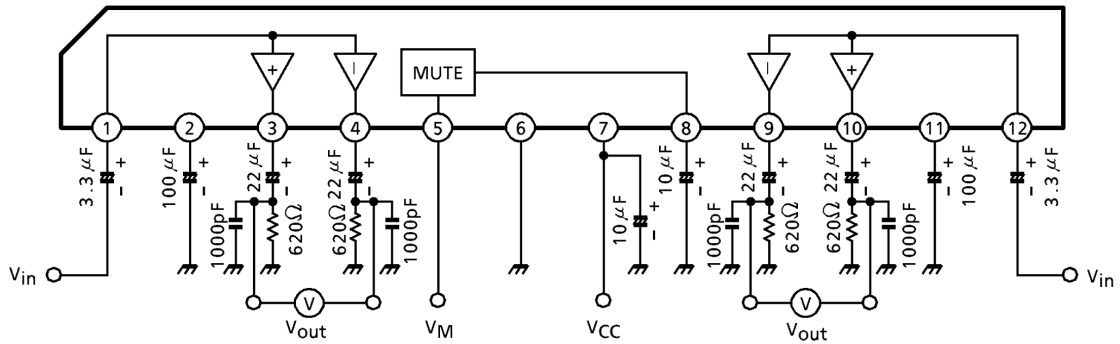
(Note) Derated above Ta = 25°C in the proportion of 6mW / °C for TA2026SN, 2.8mW / °C for TA2026F.

Electrical Characteristics (unless otherwise specified, V_{CC} = 8V, f = 1kHz, R_L = 620Ω, Ta = 25°C)

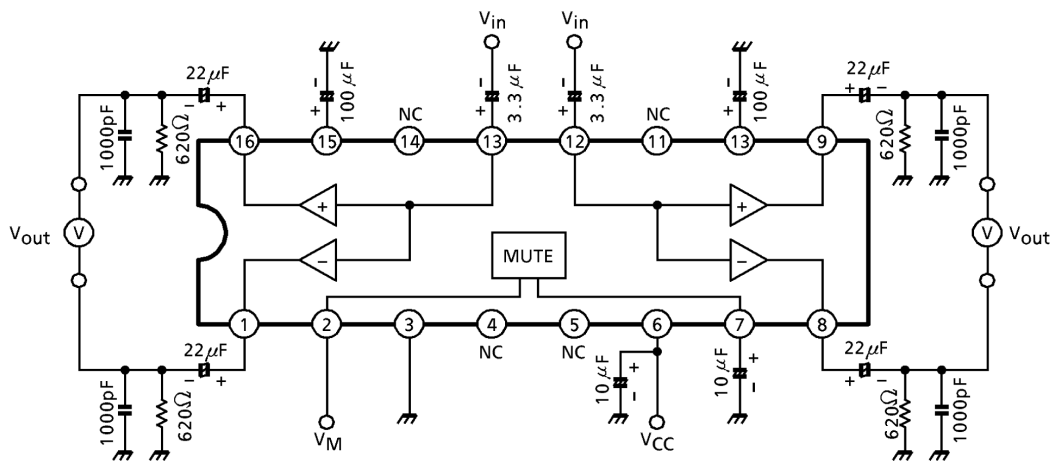
Characteristic	Symbol	Test Circuit	Test Condition	Min.	Typ.	Max.	Unit
Quiescent current	I _{CCQ}	—	V _{in} = 0	6	11	17	mA
Voltage gain	G _V	—	Balanced output gain	4.0	5.7	8.0	dB
	G _V (+)	—	Non-inverting gain	-1.5	-0.5	+0.5	
	G _V (-)	—	Inverting gain	-1.5	-0.5	+0.5	
Gain tracking	ΔG _V	—	G _V (+) - G _V (-)	-1.0	0	+1.0	dB
Maximum output voltage	V _{om}	—	THD = 0.1%	2.5	3.1	—	V _{rms}
Total harmonic distortion	THD	—	V _{out} = 1V _{rms}	—	0.004	0.01	%
Output noise voltage	V _{no}	—	R _g = 620Ω, Filter BW = 20Hz~20kHz	—	1.8	3.0	μV _{rms}
Cross talk	C.T.	—	V _{out} = 2V _{rms}	—	-70	-60	dB
Ripple rejection ratio	R.R.	—	V _{rip} = 1V _{rms} , f _{rip} = 100Hz, R _g = 620Ω	—	-60	-50	dB
Mute attenuation	ATT	—	Ref: V _{out} = 2V _{rms}	—	-90	-80	dB
Mute on control voltage	V _{M ON}	—	Mute = on	0	—	1.0	V
	V _{M OFF}	—	Mute = off	3.0	—	V _{CC}	
Input resistance	R _{IN}	—	—	—	100	—	kΩ

Test Circuit

TA2026SN

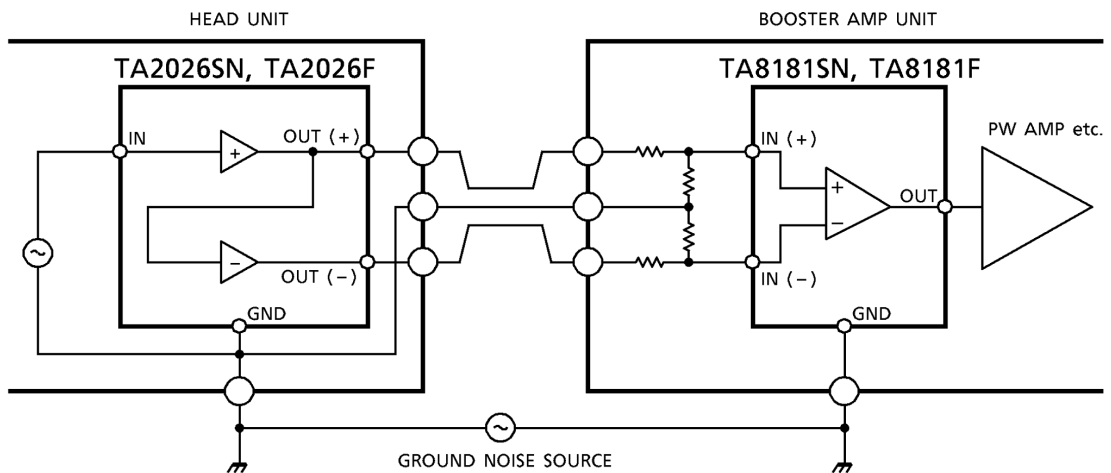


TA2026F



Application Circuit

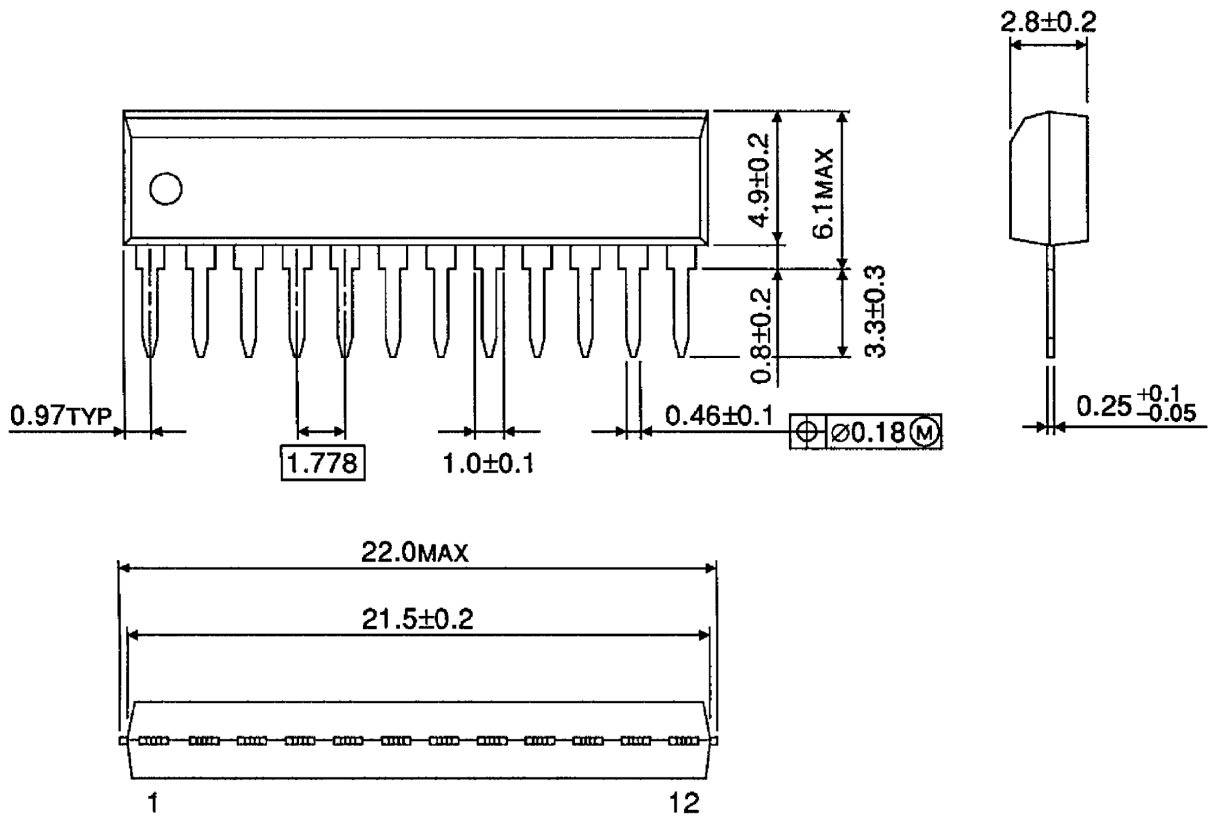
TA2026SN, TA2026F + TA8181SN, TA8181F BALANCED SIGNAL TRANSFER SYSTEM



Package Dimensions

SSIP12-P-1.78

Unit : mm

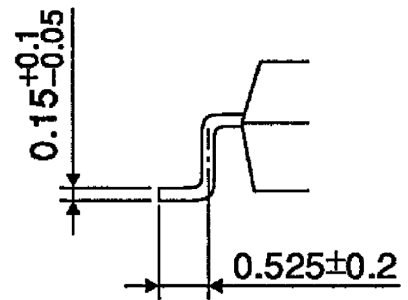
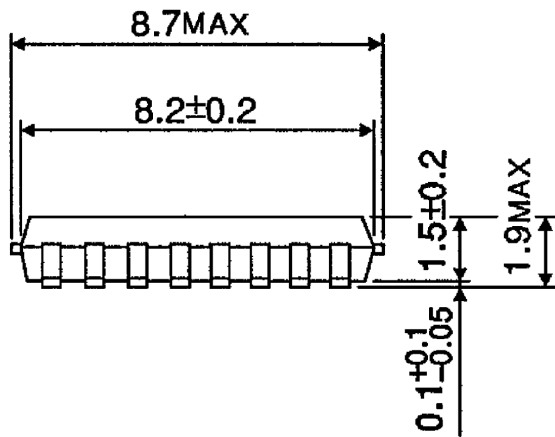
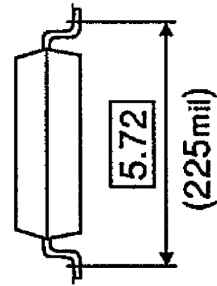
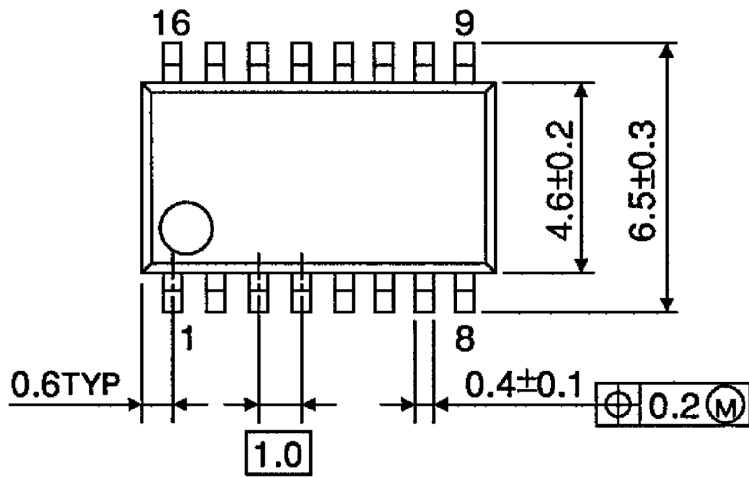


Weight : 0.65g (typ.)

Package Dimensions

SSOP16-P-225-1.00A

Unit : mm



Weight : 0.14g (typ.)

RESTRICTIONS ON PRODUCT USE

000707EBA

- TOSHIBA is continually working to improve the quality and reliability of its products. Nevertheless, semiconductor devices in general can malfunction or fail due to their inherent electrical sensitivity and vulnerability to physical stress. It is the responsibility of the buyer, when utilizing TOSHIBA products, to comply with the standards of safety in making a safe design for the entire system, and to avoid situations in which a malfunction or failure of such TOSHIBA products could cause loss of human life, bodily injury or damage to property.
In developing your designs, please ensure that TOSHIBA products are used within specified operating ranges as set forth in the most recent TOSHIBA products specifications. Also, please keep in mind the precautions and conditions set forth in the "Handling Guide for Semiconductor Devices," or "TOSHIBA Semiconductor Reliability Handbook" etc..
- The TOSHIBA products listed in this document are intended for usage in general electronics applications (computer, personal equipment, office equipment, measuring equipment, industrial robotics, domestic appliances, etc.). These TOSHIBA products are neither intended nor warranted for usage in equipment that requires extraordinarily high quality and/or reliability or a malfunction or failure of which may cause loss of human life or bodily injury ("Unintended Usage"). Unintended Usage include atomic energy control instruments, airplane or spaceship instruments, transportation instruments, traffic signal instruments, combustion control instruments, medical instruments, all types of safety devices, etc.. Unintended Usage of TOSHIBA products listed in this document shall be made at the customer's own risk.
- The products described in this document are subject to the foreign exchange and foreign trade laws.
- The information contained herein is presented only as a guide for the applications of our products. No responsibility is assumed by TOSHIBA CORPORATION for any infringements of intellectual property or other rights of the third parties which may result from its use. No license is granted by implication or otherwise under any intellectual property or other rights of TOSHIBA CORPORATION or others.
- The information contained herein is subject to change without notice.