

TOSHIBA Bipolar Linear Integrated Circuit Silicon Monolithic

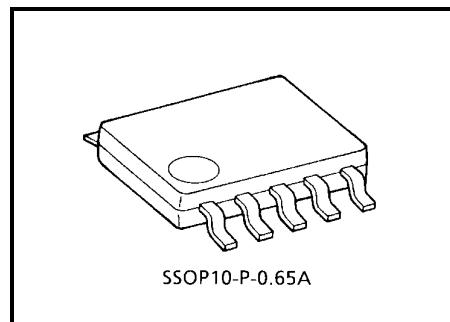
# TA6009FN, TA6009FNG

Shock Sensor IC (1 ch version)

TA6009FN/FNG detects an existence of external shock through the shock sensor and output.

## Features

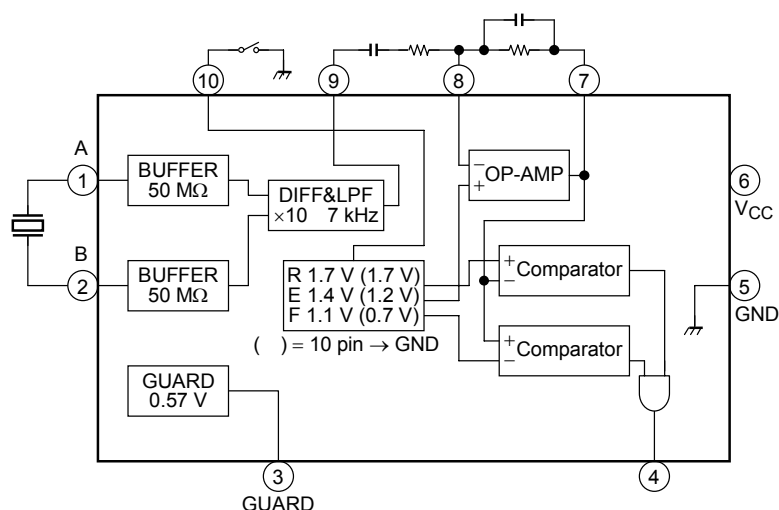
- TA6009FN/FNG operates from 2.7 to 5.5 V DC single power supply voltage.
- Signal from the shock sensor is amplified according to setting gain, and is detected through the internal window comparator.
- TA6009FN/FNG incorporates 1-ch shock detecting circuitry.
- Input terminal of sensor signal is designed high impedance.  
Differential input impedance = 100 M $\Omega$  (typ.)
- LPF (low pass filter) circuitry is incorporated.  
Cut-off frequency of LPF = 7 kHz
- Sensitivity of shock detection can be adjusted by external devices.
- Small package  
SSOP10-P-0.65A (0.65 mm pitch)



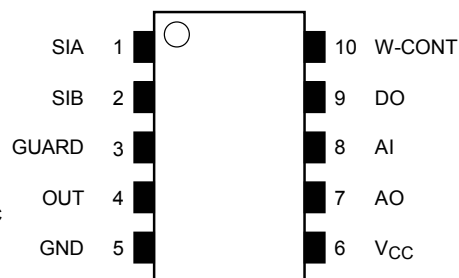
Weight: 0.04 g (typ.)

DataSheet4U.com

## Block Diagram



## Pin Connection (top view)



**Pin Function**

Pin No.	Pin Name	Function
1	SIA	Connection terminal of shock sensor
2	SIB	Connection terminal of shock sensor
3	GUARD	Input (1, 2 pin) GUARD terminal
4	OUT	Output terminal (output = "L" when shock is detected.)
5	GND	Ground terminal
6	V <sub>CC</sub>	Power supply voltage
7	AO	Op-Amp output terminal
8	AI	Op-Amp input terminal
9	DO	Differential-Amp output terminal
10	W-CONT	WindComp. trip voltage selection terminal

**Maximum Ratings (Ta = 25°C)**

Characteristics	Symbol	Rating	Unit
Power supply voltage	V <sub>CC</sub>	7	V
Power dissipation	P <sub>D</sub>	300	mW
Storage temperature	T <sub>stg</sub>	-55 to 150	°C

**Recommend Operating Condition**

Characteristics	Symbol	Rating	Unit
Power supply voltage	V <sub>CC</sub>	2.7 to 5.5	V
Operating temperature	T <sub>opr</sub>	-25 to 85	°C

**Electrical Characteristics (unless otherwise specified,  $V_{CC} = 3.3\text{ V}$ ,  $T_a = 25^\circ\text{C}$ )**

Characteristics	Symbol	Test Circuit	Test Condition	Min	Typ.	Max	Unit
Supply voltage	$V_{CC}$	—	—	2.7	3.3	5.5	V
Supply current	$I_{CC}$	(1)	$V_{CC} = 3.3\text{ V}$		1.8	2.4	mA
			$V_{CC} = 5.0\text{ V}$		1.8	2.4	

**(GUARD)**

Characteristics	Symbol	Test Circuit	Test Condition	Min	Typ.	Max	Unit
Output voltage	$V_{oGur}$	(2)	—	0.52	0.57	0.62	V

**(DIFF-AMP)**

Characteristics	Symbol	Test Circuit	Test Condition	Min	Typ.	Max	Unit
Input impedance (Note 1)	$Z_{in}$	—	—	50	100		$M\Omega$
Gain	$G_{vBuf}$	(3)	—	19.6	20	20.4	dB
Output DC voltage	$V_{oBuf}$	(4)	Connect C = 100 pF between 1 pin and 2 pin	0.7	1	1.3	V
Low pass filter cut-off freq.	$f_c$	(5)	Frequency at -3dB point	5	7	10	kHz
Output source current	$I_{Bso}$	(6)	$V_{oh} = V_{CC} - 1\text{ V}$	400	800		$\mu\text{A}$
Output sink current	$I_{Bsi}$	(7)	$V_{ol} = 0.3\text{ V}$	75	130		$\mu\text{A}$

Note 1: Marked parameters are reference data.

**(OP-AMP)**

DataSheet4U.com

Characteristics	Symbol	Test Circuit	Test Condition	Min	Typ.	Max	Unit
Cut-off frequency (Note 1)	$f_T$	—	—	1.5	2		MHz
Openloop gain (Note 1)	$G_{vo}$	—	—	80	90		dB
Input voltage 1	$V_{in1}$	(8)	10 pin → OPEN (Note 2)	1.33	1.4	1.47	V
Input voltage 2	$V_{in2}$	(9)	10 pin → GND (Note 2)	1.14	1.2	1.26	V
Input current	$I_{in}$	(10)	—		25	50	nA
Offset voltage (Note 1)	$V_{off}$	—	—	-5	0	5	mV
Output source current	$I_{Aso}$	(11)	$V_{oh} = V_{CC} - 1\text{ V}$	300	800		$\mu\text{A}$
Output sink current	$I_{Asi}$	(12)	$V_{ol} = 0.3\text{ V}$	130	200		$\mu\text{A}$

Note 1: Marked parameters are reference data.

Note 2: 10 pin must be non-connected otherwise connected to GND.

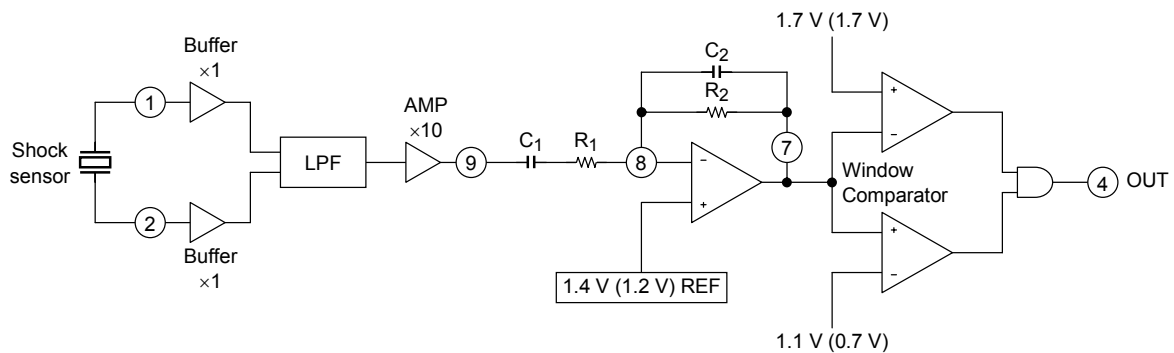
**(window-comparator)**

Characteristics	Symbol	Test Circuit	Test Condition	Min	Typ.	Max	Unit
Trip voltage 1 (Note 1)	$V_{trp1}$	—	10 pin → OPEN (Note 2)	$V_{in1} \pm 0.285$	$V_{in1} \pm 0.3$	$V_{in1} \pm 0.315$	V
Trip voltage 2 (Note 1)	$V_{trp2}$	—	10 pin → GND (Note 2)	$V_{in2} \pm 0.475$	$V_{in2} \pm 0.5$	$V_{in2} \pm 0.525$	V
Output source current	$I_{Wso}$	(13)	$V_{oh} = V_{CC} - 0.5\text{ V}$	30	50		$\mu\text{A}$
Output sink current	$I_{Wsi}$	(14)	$V_{ol} = 0.3\text{ V}$	300	800		$\mu\text{A}$

Note 1: Marked parameters are reference data.

Note 2: 10 pin must be non-connected otherwise connected to GND.

## Application Note



**Figure 1 The Composition of G-Force Sense Amplifier**

Figure 1 is the composition of G-Force sense amplifier.

The shock sensor is connected between 1 and 2 terminal.

When G-force Sensor (sensor sensibility =  $s$  (mV/G)) is used to detect external shock of  $g$  (G), the external parts are determined as following.

(gain setting) \* 10 PIN → GND

$$500/(s \times g) = G1$$

$$G1/10 = G \text{ (OP-AMP)}$$

(HPF setting)

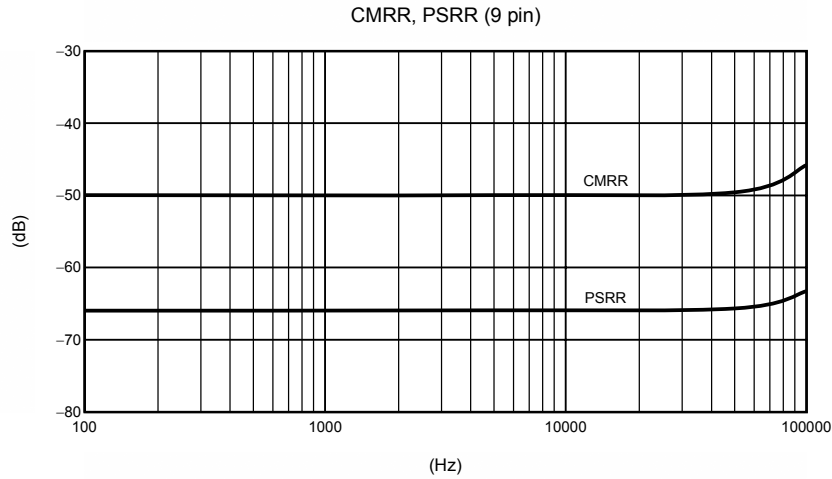
$$f_c = 1/(2 \pi \times R_1 \times C_1)$$

(LPF setting)

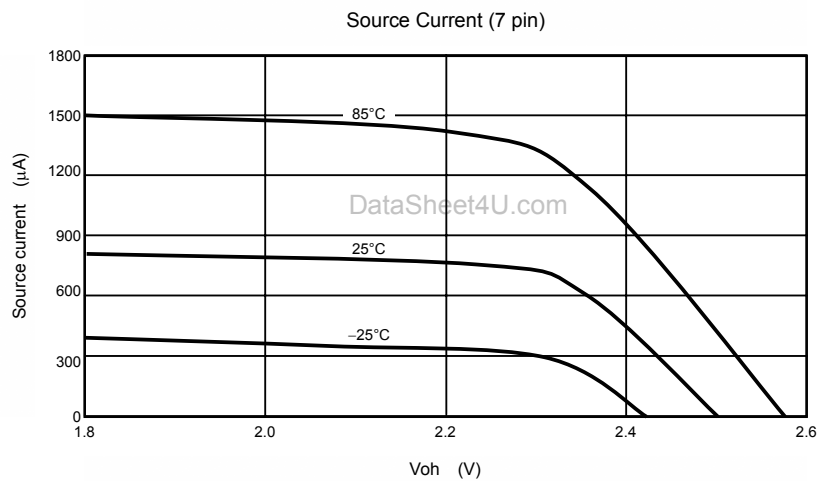
$$f_c = 1/(2 \pi \times R_2 \times C_2)$$

## Reference Data

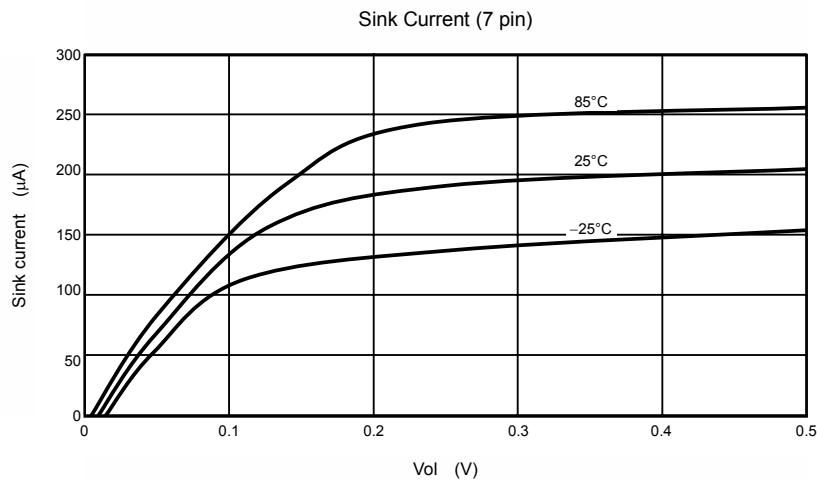
- (1) 9 pin (DIFF-AMP output) CMRR, PSRR



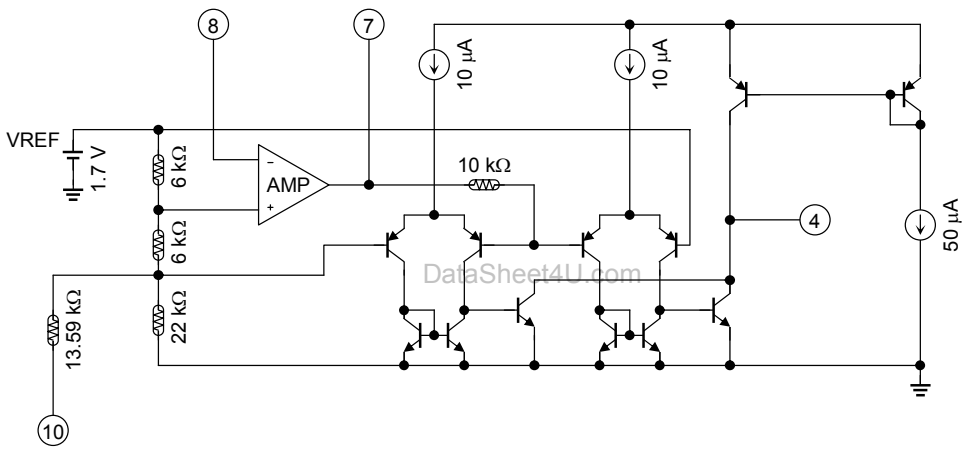
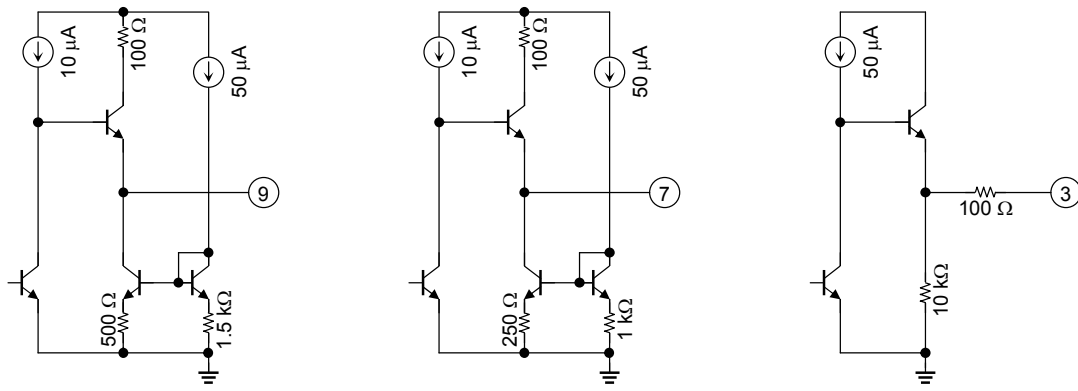
- (2) 7 pin (OP-AMP output) source current



- (3) 7 pin (OP-AMP output) sink current



## Equivalent Circuit

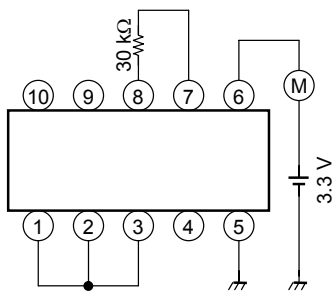


et4U.com

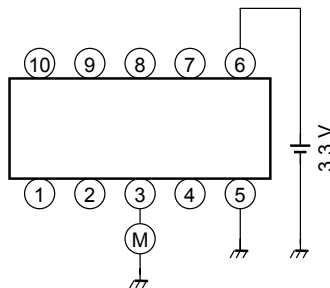
DataShee

### Test Circuit

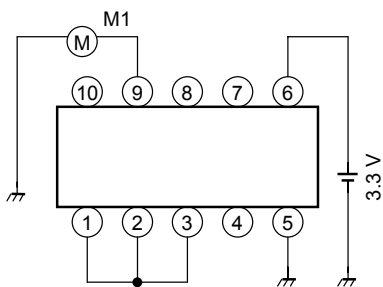
(1) Supply current **ICC**



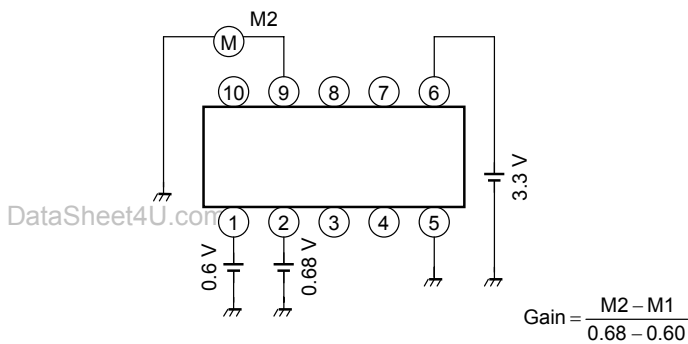
(2) GUARD  
Output voltage **VoGur**



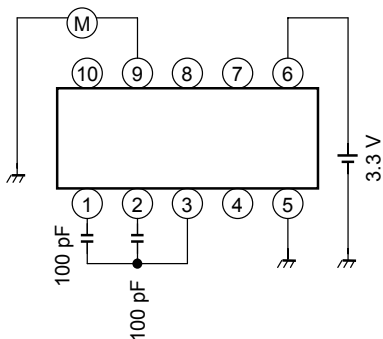
(3) DIFF-AMP  
Gain **GvBuf**  
Step 1



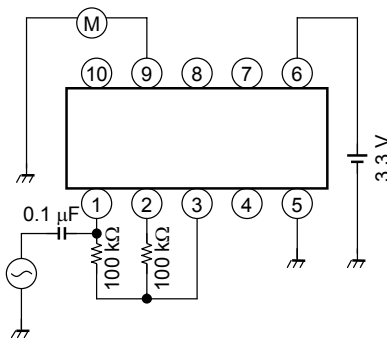
Step 2



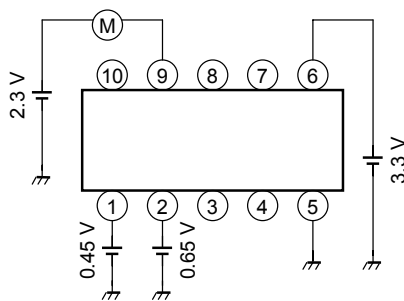
(4) DIFF-AMP  
Output DC voltage **VoBuf**



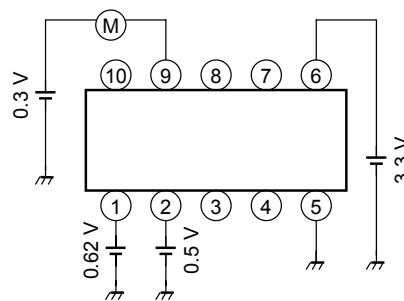
(5) DIFF-AMP  
Low pass filter cut-off freq. **fc**



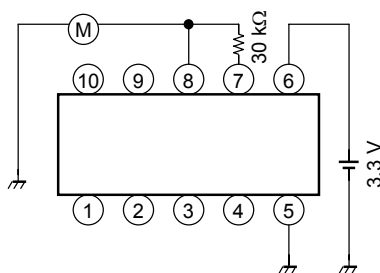
(6) DIFF-AMP  
Output source current **IBso**



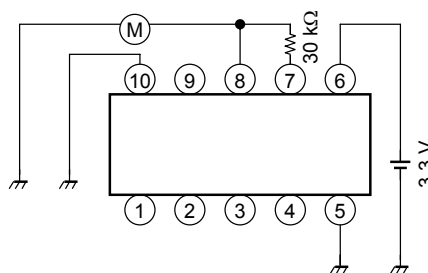
(7) DIFF-AMP  
Output sink current **IBsi**



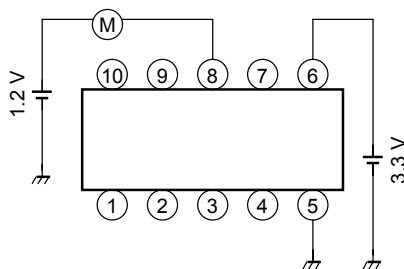
(8) OP-AMP  
Input voltage 1 **Vin1**



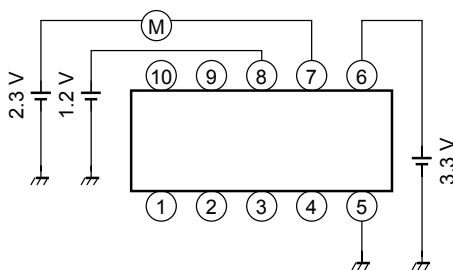
(9) OP-AMP  
Input voltage 2 **Vin2**



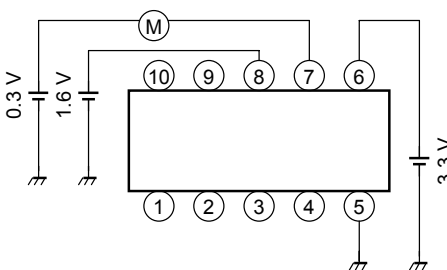
(10) OP-AMP  
Input current **Iin**



(11) OP-AMP  
Output source current **IAso**



(12) OP-AMP  
Output sink current **IAsi**



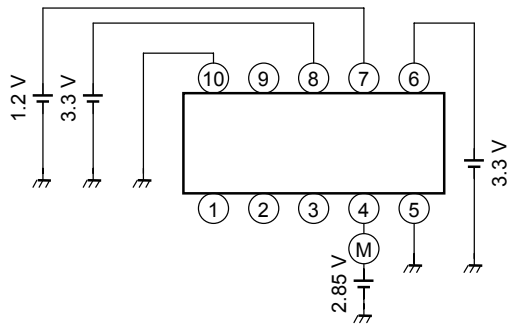
et4U.com

DataSheet4U.com

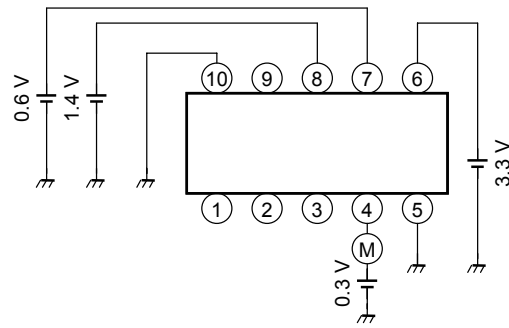
DataShee



(13) Window comparator  
Output source current  $I_{Wso}$

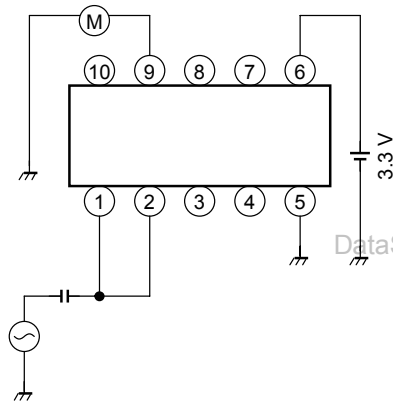


(14) Window comparator  
Output sink current  $I_{Wsi}$

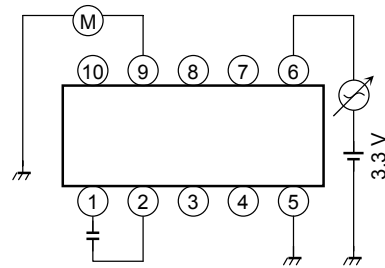


### Test Circuit (for reference)

(a) DIFF-AMP  
CMRR



(b) DIFF-AMP  
PSRR



et4U.com

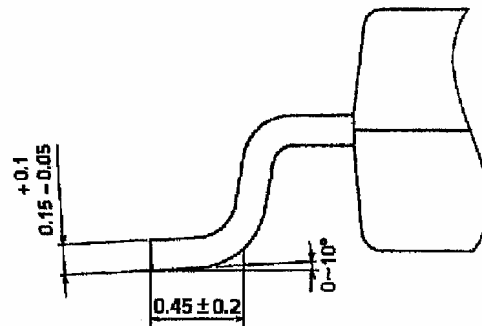
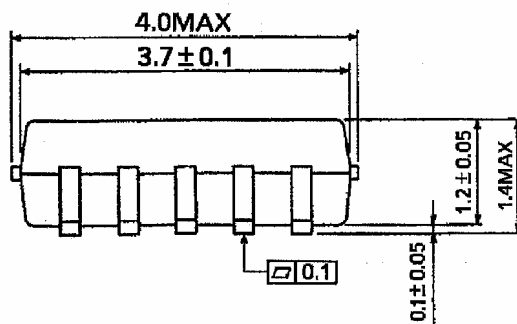
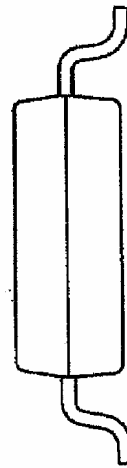
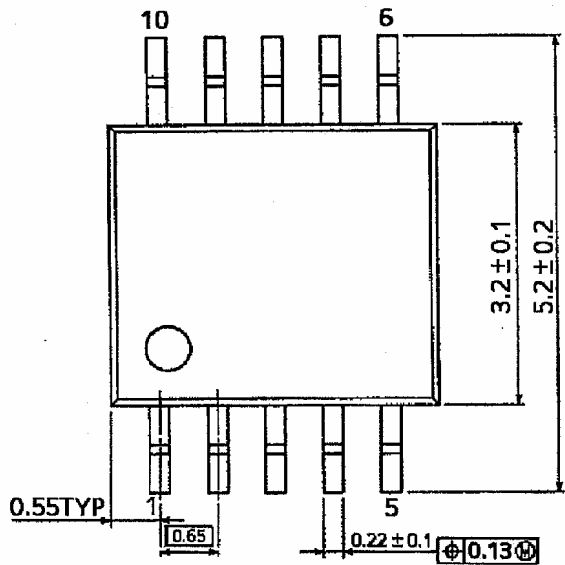
DataSheet4U.com

DataShee

## Package Dimensions

SSOP10-P-0.65A

Unit : mm



Weight: 0.04 g (typ.)

**RESTRICTIONS ON PRODUCT USE** DataSheet4U.com

030619EAA

- The information contained herein is subject to change without notice.
- The information contained herein is presented only as a guide for the applications of our products. No responsibility is assumed by TOSHIBA for any infringements of patents or other rights of the third parties which may result from its use. No license is granted by implication or otherwise under any patent or patent rights of TOSHIBA or others.
- TOSHIBA is continually working to improve the quality and reliability of its products. Nevertheless, semiconductor devices in general can malfunction or fail due to their inherent electrical sensitivity and vulnerability to physical stress. It is the responsibility of the buyer, when utilizing TOSHIBA products, to comply with the standards of safety in making a safe design for the entire system, and to avoid situations in which a malfunction or failure of such TOSHIBA products could cause loss of human life, bodily injury or damage to property.  
In developing your designs, please ensure that TOSHIBA products are used within specified operating ranges as set forth in the most recent TOSHIBA products specifications. Also, please keep in mind the precautions and conditions set forth in the "Handling Guide for Semiconductor Devices," or "TOSHIBA Semiconductor Reliability Handbook" etc..
- The TOSHIBA products listed in this document are intended for usage in general electronics applications (computer, personal equipment, office equipment, measuring equipment, industrial robotics, domestic appliances, etc.). These TOSHIBA products are neither intended nor warranted for usage in equipment that requires extraordinarily high quality and/or reliability or a malfunction or failure of which may cause loss of human life or bodily injury ("Unintended Usage"). Unintended Usage include atomic energy control instruments, airplane or spaceship instruments, transportation instruments, traffic signal instruments, combustion control instruments, medical instruments, all types of safety devices, etc.. Unintended Usage of TOSHIBA products listed in this document shall be made at the customer's own risk.
- TOSHIBA products should not be embedded to the downstream products which are prohibited to be produced and sold, under any law and regulations.