

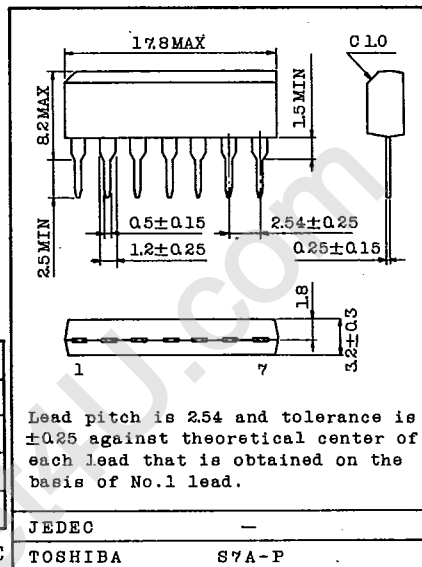
TA7120P

T-74-09-01

GENERAL PURPOSE PRE-AMPLIFIER, VOLTAGE AMPLIFIER.

Unit in mm

- . Low Noise. : $V_{NI}=2\mu V_{rms}$ (Typ.)
- . Wide Operating Supply Voltage Range.
- . High Open Loop Voltage Gain : $G_{VO}=78dB$ (Typ.)



MAXIMUM RATINGS (Ta=25°C)

CHARACTERISTIC	SYMBOL	RATING	UNIT
Supply Voltage	VCC	15	V
Power Dissipation (Note)	Pd	200	mW
Operating Temperature	Topr	-30 ~ 75	°C
Storage Temperature	Tstg	-55 ~ 125	°C

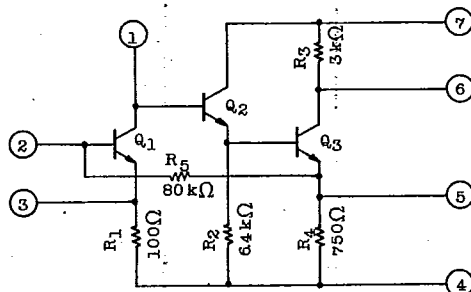
Note: Derated above Ta=25°C in the proportion of 2mW/°C

ELECTRICAL CHARACTERISTICS (VCC=8V, RL=5.1kΩ, Ta=25°C)

CHARACTERISTIC	SYMBOL	TEST CIRCUIT	TEST CONDITION	MIN.	TYP.	MAX.	UNIT
Supply Current	ICC	1	VIN=0	-	1.5	2.1	mA
Voltage Gain (Open Loop)	GVO	1	f=1kHz, VIN=-80dBm	75	78	82	dB
Voltage Gain (Closed Loop) (Note)	Gv	2	f=1kHz, RNF=35kΩ, VOUT=1Vrms	46.5	-	52.5	dB
Maximum Output Voltage	VOM	3	f=1kHz, THD=1%	1.0	-	-	Vrms
Equivalent Input Noise Voltage	VNI	3	NAB Equalizer Rg=2.2kΩ, f=1kHz	-	2.0	-	μVrms

Note: In regard to the value of Voltage Gain (closed loop voltage), it is possible to be classified.

EQUIVALENT CIRCUIT



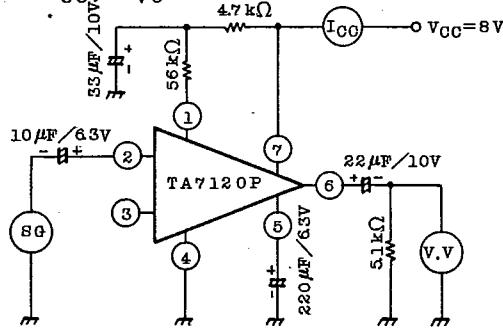
AUDIO LINEAR IC

TA7120P

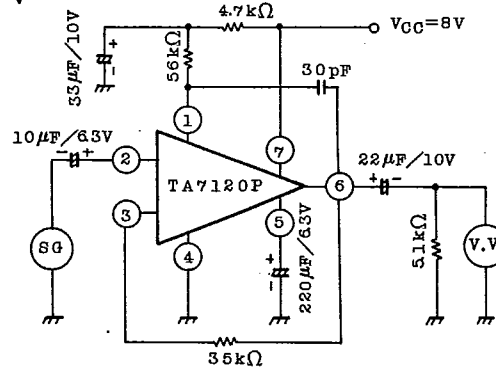
T-74-09-01

TEST CIRCUIT

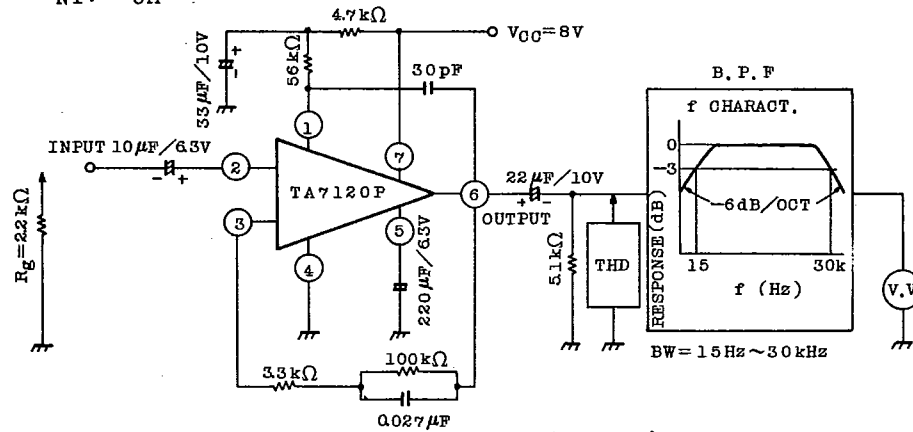
1. I_{CC} , G_V



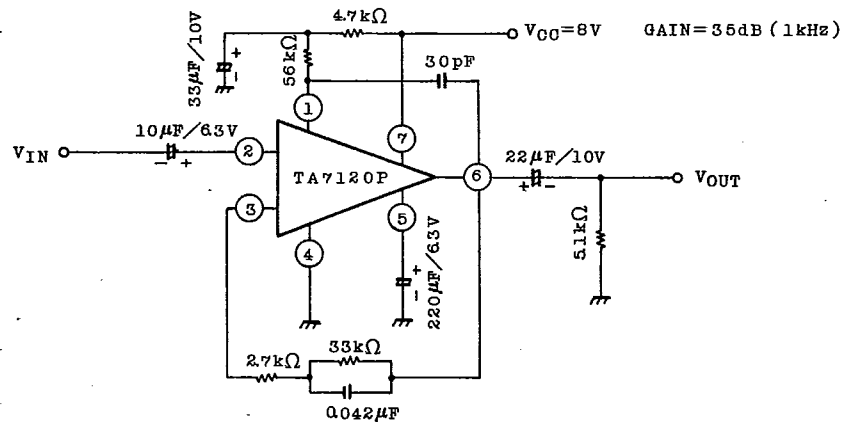
2. G_V



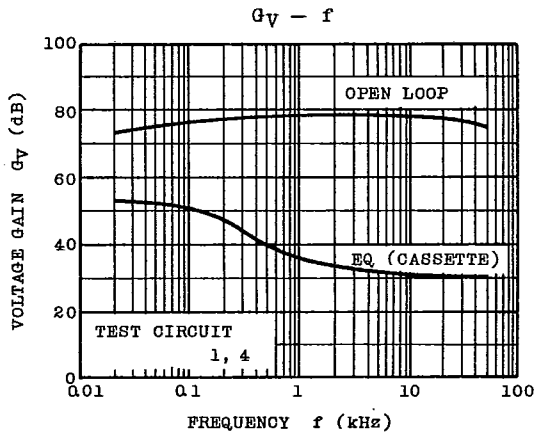
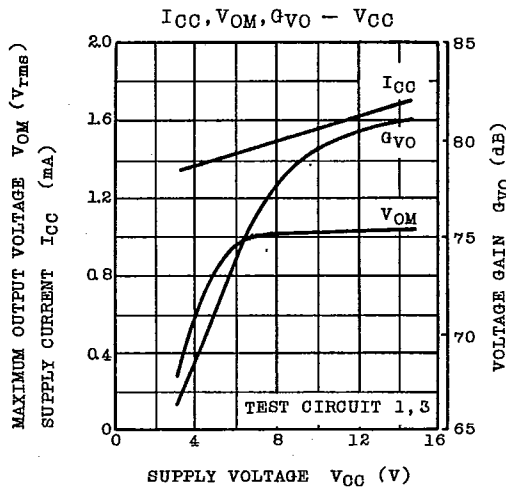
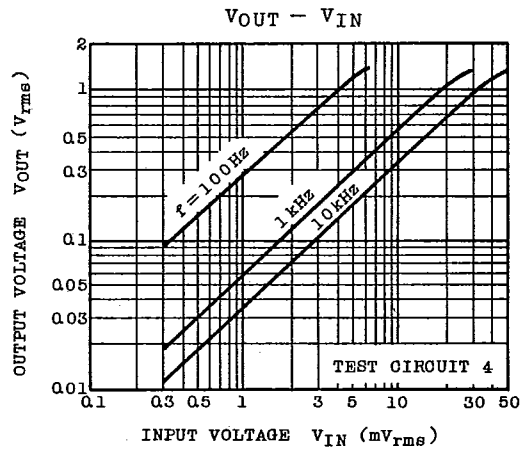
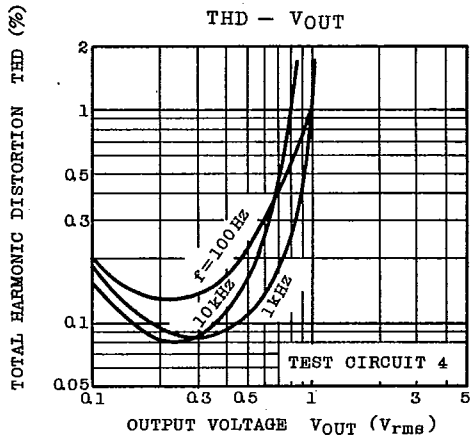
3. V_{NI} , V_{OM}



4. EQUALIZER AMPLIFIER FOR CASSETTE TAPE RECORDER

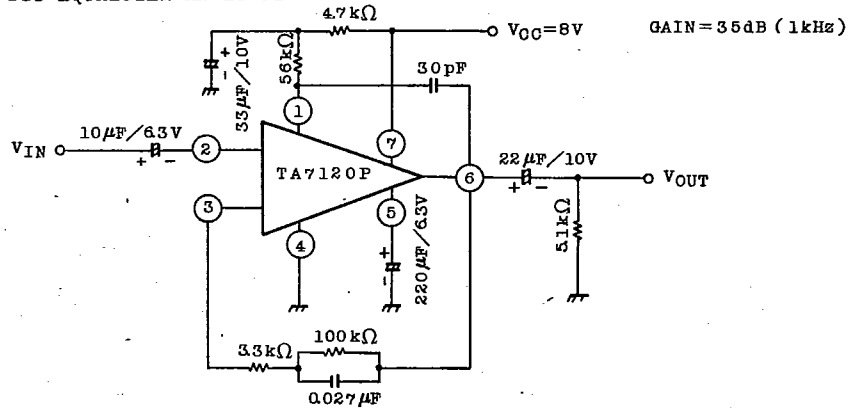


TA7120P



APPLICATION CIRCUIT

NAB 9.8cm/sec EQUALIZER AMPLIFIER FOR CAR-STEREO



AUDIO LINEAR IC