

# UTC TA7784P LINEAR INTEGRATED CIRCUIT

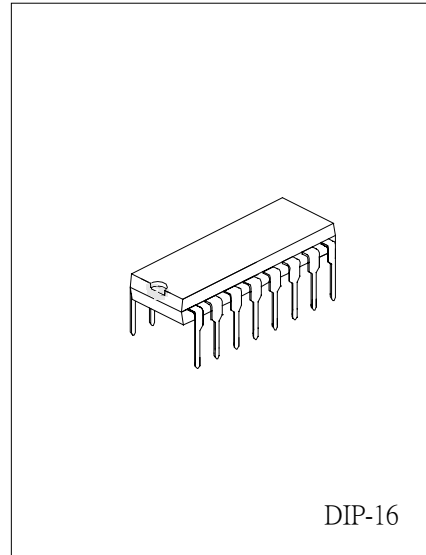
## DUAL PRE-AMPLIFIER FOR AUTO-REVERSE

### DESCRIPTION

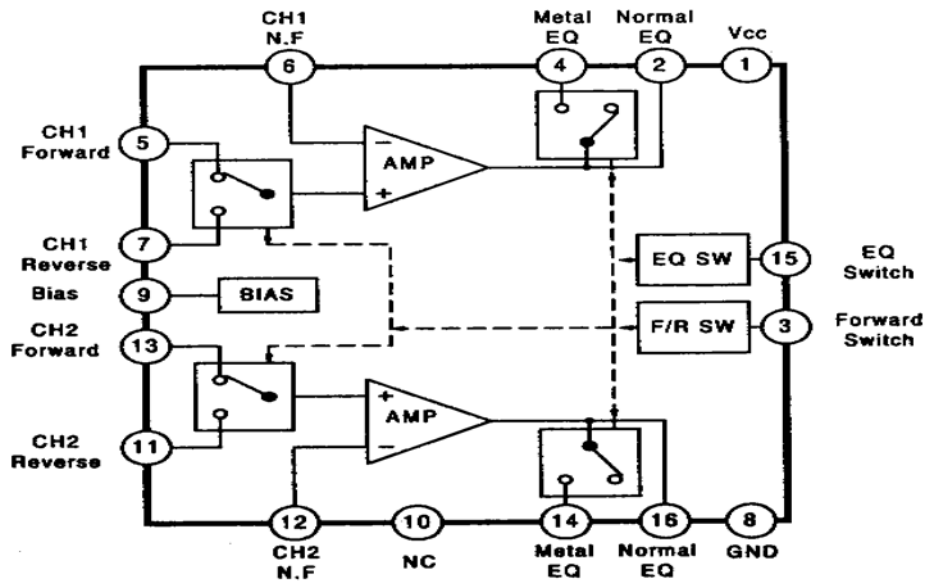
The UTC TA7784P is a dual pre-amplifier for auto-reverse type and W-cassette type tape player. This IC contains dual pre-amplifier, forward/ reverse control switches and metal/ normal tape equalizer control switches.

### FEATURES

- \*High voltage gain:  $G_{vo}=95\text{dB}(\text{typ})$  at  $V_{cc}=6\text{V}$ ,  $f=1\text{kHz}$
- \*Wide operating supply voltage ( $V_{cc}=3.5\text{V}\sim 15\text{V}$ )
- \*No input coupling capacitor
- \*Low noise ( $V_{NI}=1\mu\text{Vrms}(\text{typ})$  at  $R_g=600\Omega$ ,  $BW=20\text{Hz}\sim 20\text{kHz}$ , NAB EQ)



### BLOCK DIAGRAM



# UTC TA7784P LINEAR INTEGRATED CIRCUIT

## ABSOLUTE MAXIMUM RATINGS(Ta=25°C)

PARAMETER	SYMBOL	VALUE	UNIT
Supply Voltage	Vcc	16	V
Power Dissipation	PD	750	mW
Operating Temperature	Topr	-25~75	°C
Storage Temperature	Tstg	-55~150	°C

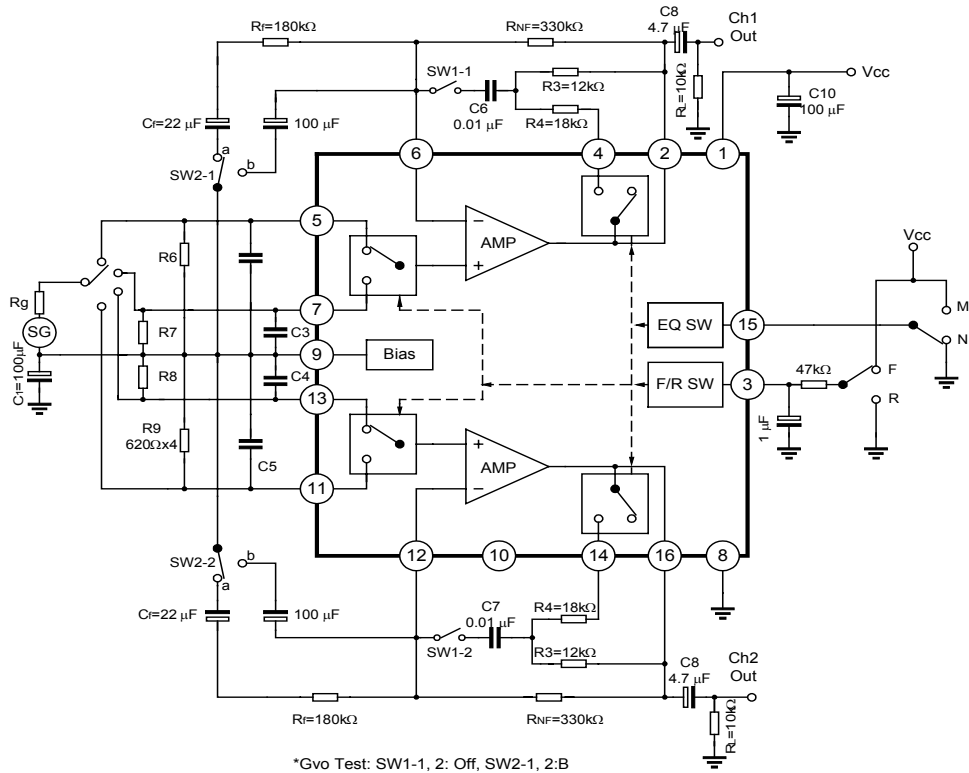
Note: de-rated above Ta=25°C in the proportion of 6mW/°C.

## ELECTRICAL CHARACTERISTICS(Ta=25°C,Vcc=6V,Rg=600Ω, f=1kHz, unless otherwise specified )

PARAMETER	SYMBOL	TEST CIRCUIT	TEST CONDITIONS	MIN	TYP	MAX	UNIT
Quiescent Current	ICCQ1	1	VIN=0, Normal EQ		5.5		mA
	ICCQ1	1	VIN=0, Metal EQ		7	11	
Open Loop Voltage Gain	GVo	1	Cf=100μF,Rf=0		95		dB
Maximum Output Voltage	VOM	1	THD=0.5%	1.1	1.5		Vrms
Total Harmonic Distortion	THD	1	Vout=0.5Vrms		0.035	0.12	%
Equivalent Input Noise	VNI	1	Rg=620Ω,NAB BW:20Hz~20kHz Metal EQ		1	1.7	μVrms
Ripple Rejection	RR	1	f=100Hz,Vin=1Vrms		55		dB
Cross Talk	CT	1	Vout=0dBm	50	60		dB
Forward/ Reverse Cross Talk	CT(F/R)		Vout=0dBm	60	70		dB

# UTC TA7784P LINEAR INTEGRATED CIRCUIT

TEST CIRCUIT (Pin Configuration and DC Voltage)



Pin Configuration and DC Voltage (Vcc=6V, Ta=25°C, Unless otherwise specified)

## DC VOLTAGE

PIN NO.	1	2	3	4	5	6	7	8	9	10	11	12	13	14	15	16
VALUE (V)	Vcc	2.3	Vcc/GND	2.2	2.2	2.2	2.2	GND	2.2	NC	2.2	2.2	2.2	2.2	Vcc/GND	2.2

# UTC TA7784P LINEAR INTEGRATED CIRCUIT

## APPLICATION INFORMATION

### 1. Forward/Reverse select switch

- 1) Threshold voltage: Pin 3 is coupled to the base of Q1 (PNP-Tr) as Fig. 1. The threshold voltage is 0~0.3V at reverse stage and is 1.1~V<sub>cc</sub> at the Forward stage.
- 2) The recommended Forward/ Reverse select circuit is shown in Fig. 2
- 3) I<sub>3</sub>(Fig. 1)=12μA, T<sub>a</sub>=25°C.

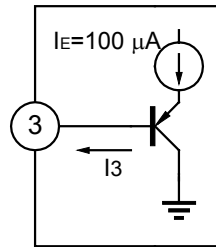


Fig 1

### 2. Equalizer control switch

Pin 15 is coupled to the base of Q2 (PNP Tr) as shown Fig. 3. The emitter potential of Q2 is 2.6V. The threshold voltage is 21~V<sub>cc</sub> at Metal EQ stage and is 0~1.2V at the Normal EQ stage.

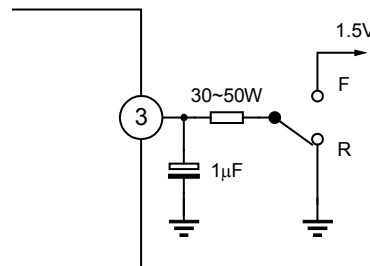


Fig 2

### 3. C2/C3/C4/C5

Capacitor C2~C5 may be required for preventing an instability caused by the pattern layout or interference of external high frequency signal.

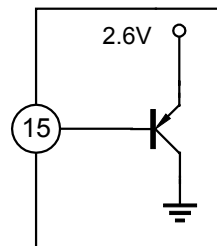


Fig 3

UTC assumes no responsibility for equipment failures that result from using products at values that exceed, even momentarily, rated values (such as maximum ratings, operating condition ranges, or other parameters) listed in products specifications of any and all UTC products described or contained herein. UTC products are not designed for use in life support appliances, devices or systems where malfunction of these products can be reasonably expected to result in personal injury. Reproduction in whole or in part is prohibited without the prior written consent of the copyright owner. The information presented in this document does not form part of any quotation or contract, is believed to be accurate and reliable and may be changed without notice.