

TOSHIBA BIPOLAR LINEAR INTEGRATED CIRCUIT SILICON MONOLITHIC

# TA8000S,TA8000F

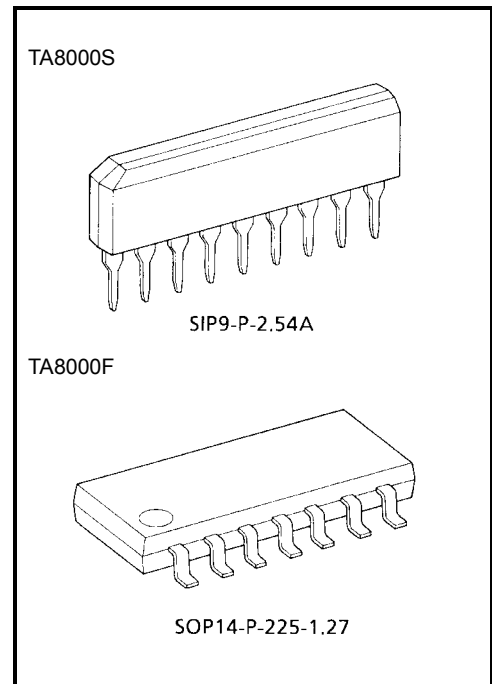
## 5V VOLTAGE REGULATOR WITH WATCHDOG TIMER

The TA8000S TA8000F is an IC specially designed for automotive microcomputer systems. It produces an output voltage of  $5 \pm 0.25V$  without need for adjustment from its accurate reference voltage and amplifier circuit.

At power-on, it outputs a reset signal to reset the system. It will also output a reset signal when the 5 V output voltage drops below 85% because of external disturbance or other problem. It also incorporates a watchdog timer for self-diagnosing the system. When the system malfunctions, the IC generates reset pulses intermittently to prevent the system from running away.

### FEATURES

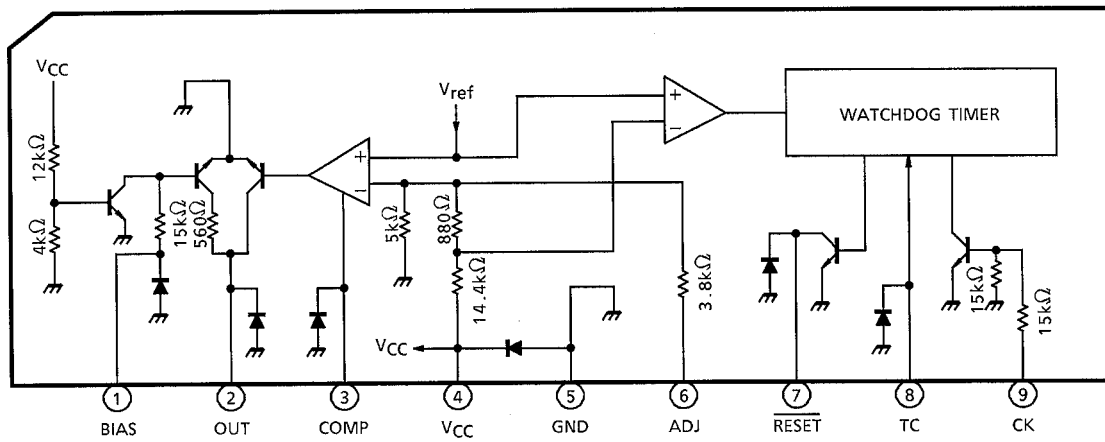
- Accurate output :  $5 \pm 0.25V$
- Output voltage adjusting pin attached
- Power-on reset timer incorporated
- Watchdog timer incorporated
- Wide operating voltage range : 40 V (max.)
- Operating temperature range : from  $-40$  to  $85^{\circ}C$
- Load dump protection : 80 V (max.) (1 second)
- Small SIP-9 pin : TA8000S
- SOP-14 pin : TA8000F



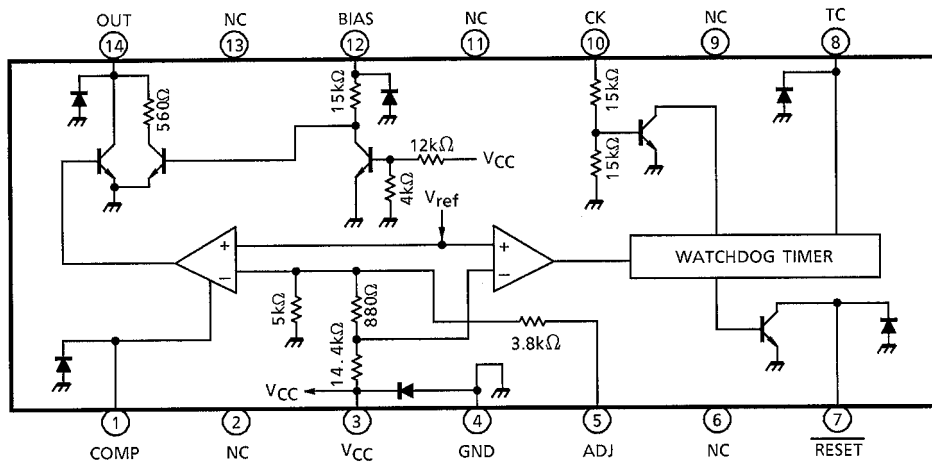
Weight  
 SIP9-P-2.54A : 0.92 g (typ.)  
 SOP14-P-225-1.27 : 0.2 g (typ.)

## BLOCK DIAGRAM AND PIN LAYOUT

TA8000S



TA8000F



Note : The TA8000S and TA8000F are the same chip; only the packages are different.

## PIN DESCRIPTION

PIN No.		SYMBOL	DESCRIPTION
TA8000S	TA8000F		
1	12	BIAS	Power supply start pin. The start current is supplied from the input voltage through a resistor. The output current –obtained from this start current is as follows: $I_{OUT} \text{ (BIAS pin)} \geq 30 \times (V_{IN} - 0.7) / (15 + R1) \text{ (mA)}$ where R1 : external resistor connected to BIAS pin (k $\Omega$ ) This current is absorbed by an internal circuit when $V_{CC}$ increases above 2.7V, in which case $I_{OUT}$ is supplied from $V_{CC}$ .
2	14	OUT	This pin connects to the base of an external PNP transistor for control purposes to stabilize the output voltage. Therefore, the power supply can be designed to suit the load capacitance. Since the recommended current of $I_{OUT}$ is 8mA, the output current that can be flowed is 300mA providing that $H_{FE}$ of the external transistor is 40.
3	1	COMP	This pin is used for phase correction to stabilize the output.
4	3	$V_{CC}$	Internal circuit power supply pin. This pin also is used to detect the output voltage.
5	4	GND	Ground pin.
6	5	ADJ	Output voltage adjusting pin. The voltage can be raised by inserting a resistor between ADJ and GND and lowered by inserting a resistor between ADJ and $V_{CC}$ . When ADJ and GND are shorted, the output voltage is 10V. (See Typical Characteristics.)
7	7	$\overline{\text{RESET}}$	NPN transistor open-collector output. (1) This output goes low at 85% or less of the rated output voltage. (2) A reset signal is generated whose time constant is determined by CR of the TC pin. (3) When no clock is fed to the CK input, a reset pulse is generated intermittently. This function can be used as a watchdog timer for microcomputer systems.
8	8	TC	This pin is used to set the time for the reset and watchdog timers. Any desired time can be set using external RT and $C_T$ .
9	10	CK	Watchdog timer input pin. Pull up this pin to $V_{CC}$ when you are using only the power-on reset timer.
—	2, 6, 9, 11, 13	NC	Non-connected pin. (Electrically, this pin is completely open.)

**FUNCTIONAL DESCRIPTION**

The TA8000S / F incorporates a constant-voltage 5V power supply function to feed stable power to the CPU and a system reset function to ensure stable operation of the CPU, etc. These functions are explained below.

**(1) Constant-voltage 5V power supply function**

This constant-voltage function has the reference voltage  $V_{ref}$  in the IC that is insusceptible to temperature changes and input voltage fluctuations. The power supply circuit is designed in such a way that this voltage is stepped up to 5V by using an OP amp and a voltage-dividing resistor. These OP amp and dividing resistor and an output transistor connected to the OP amp output together configure a closed loop. If you are using only the reset timer and not this power supply function, connect the BIAS, OUT, and COMP pins to GND.

**(2) System reset function (See Timing Chart)**

- Voltage monitoring function

When powered on, the power-on reset timer starts counting the moment the voltage  $V_{CC}$  applied to the CPU exceeds 4.25V. When powered off, this voltage monitoring function outputs a reset signal immediately when  $V_{CC}$  drops below 4.25V. A reset signal also is output immediately when  $V_{CC}$  drops for some reason during normal operation. Then, when  $V_{CC}$  is restored to the normal voltage and exceeds 4.25V, the power-on reset timer starts counting.

- Power-on reset timer function

To allow the 5V constant voltage to stabilize at power-on, as well as provide a sufficient time for the clock oscillation in the CPU to stabilize, the device remains reset for a predetermined time before being released from the reset state. The duration of this time can be set as desired by choosing appropriate values for the external resistor and capacitor connected to the TC pin.

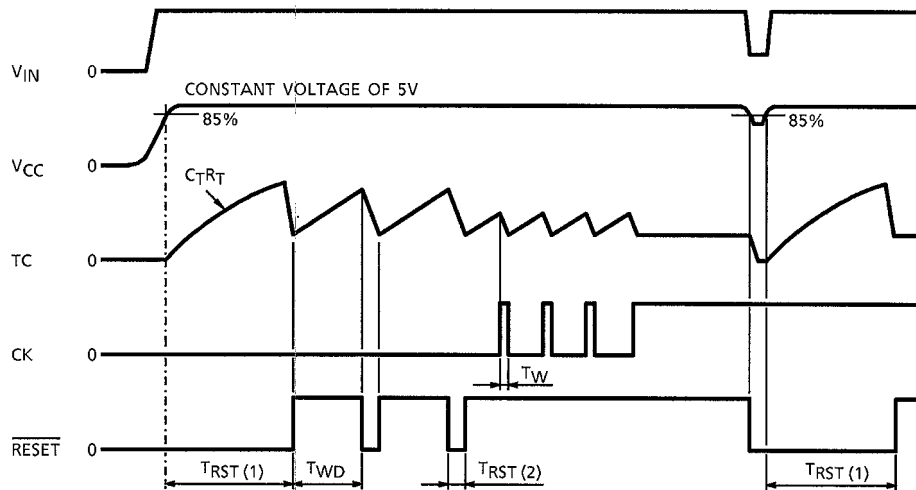
The system starts charging the capacitor when the  $V_{CC}$  voltage exceeds 4.25V. When this charge voltage exceeds 4V, the capacitor is discharged by the IC's internal transistor. When the capacitor is discharged down to 2V, the reset signal is inverted to deactivate the reset.

- Watchdog timer function

Program your system to output a clock each time one program routine is finished in the CPU system software, and input this clock to the CK pin of the IC. The IC's TC pin is repeatedly charged and discharged between 2V and 4V. However, when a clock is input, it switches over and starts discharging in the middle of charging and then starts charging from 2V again. Since the clock is generated at predetermined intervals when the CPU system is operating normally, the TC pin switches over and starts discharging before the charge voltage reaches 4V. However, if no clock is input while being charged from 2V to 4V, the clock is assumed to have stopped, i.e., the CPU system has gone wild, so that a reset signal is output to reset the CPU system.

The IC's CK pin is connected to the CPU system with a differential circuit. This is to ensure that when an erratic condition occurs in the CPU system, a low signal is always input to the CK pin regardless of whether the clock output from the CPU has stopped in the high or low state. When the CK pin is fixed high, no reset signal is output, in which case only the power-on reset timer is useful.

## TIMING CHART



Note:  $T_{RST}(1)$ ,  $T_{RST}(2)$ ,  $T_{WD}$ ,  $T_W$  : See Electrical Characteristics.

## MAXIMUM RATINGS ( $T_a = 25^\circ\text{C}$ )

CHARACTERISTIC	SYMBOL	RATING	UNIT
Input Voltage	$V_{IN1}$	80 (1s)	V
	$V_{IN2}$	-5 ~ + 16	
Output Current	$I_{OUT1}$	10	mA
	$I_{OUT2}$	4	
Output Voltage	$V_{OUT1}$	80 (1s)	V
	$V_{OUT2}$	16	
Power Dissipation	$P_D$	500 / 280	mW
Operating Temperature	$T_{opr}$	-40~85	$^\circ\text{C}$
Storage Temperature	$T_{stg}$	-55~150	$^\circ\text{C}$
Lead Temperature time	$T_{sol}$	260 (10s)	$^\circ\text{C}$

Note:  $V_{IN1}$  : BIAS input  
 $V_{IN2}$  : CK input  
 $I_{OUT1}$ ,  $V_{OUT1}$  : OUT output  
 $I_{OUT2}$ ,  $V_{OUT2}$  :  $\overline{RESET}$  output  
 $P_D$  : TA8000S / TA8000F

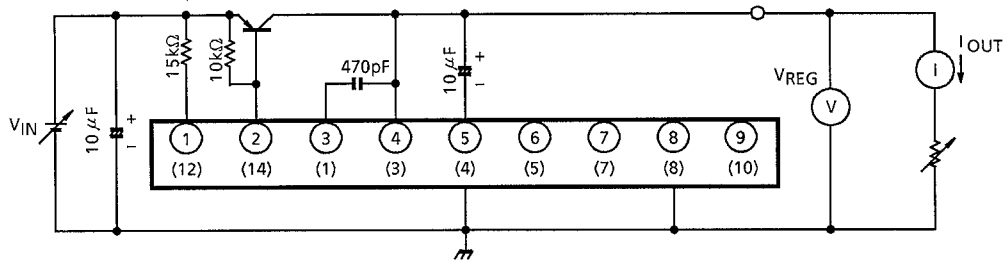
## ELECTRICAL CHARACTERISTICS ( $V_{IN} = 6$ to $17V$ , $T_a = -40$ to $85^{\circ}C$ )

CHARACTERISTIC	SYMBOL	PIN	TEST CIRCUIT	TEST CONDITION	MIN	TYP.	MAX	UNIT
Output Voltage	$V_{REG}$	$V_{CC}$	1		4.75	5.0	5.25	V
Line Regulation		$V_{CC}$	—	$V_{IN} = 6\sim 40V$	—	0.1	0.5	%
Load Regulation		$V_{CC}$	—	$I_{LOAD} = 1\sim 50mA$	—	0.1	0.5	%
Temperature Coefficient		$V_{CC}$	—		—	0.01	—	% / $^{\circ}C$
Output Voltage	$V_{OL}$	$\overline{RESET}$	2	$I_{OL} = 2mA$	—	—	0.5	V
Output Leakage Current	$I_{LEAK}$	$\overline{RESET}$	3	$V_{OUT} = 10V$	—	—	5	$\mu A$
Input Current	$I_{IN}$	TC	4	$V_{IN} = 0\sim 3.5V$	-3	—	3	$\mu A$
Threshold Voltage	$V_{IH}$	TC	5	$\overline{RESET}$ High to Low	—	$80\% \times V_{REG}$	—	V
	$V_{IL}$			$\overline{RESET}$ Low to High	—	$40\% \times V_{REG}$	—	
Input Current	$I_{IN}$	CK	6	$V_{IN} = 5V$	—	0.3	0.7	mA
Input Voltage	$V_{IH}$	CK	5		2	—	—	V
	$V_{IL}$	CK	5		—	—	0.5	
Reset Detect Voltage		$V_{CC}$	—		$82\% \times V_{REG}$	$85\% \times V_{REG}$	$88\% \times V_{REG}$	V
Standby Current	$I_S$	$V_{CC}$	8	$V_{IN} = 14V$	—	5	6.5	mA
Watchdog Timer	$T_{WD}$	$\overline{RESET}$	7		$0.9 \times C_T R_T$	$1.1 \times C_T R_T$	$1.3 \times C_T R_T$	ms
Reset Timer (1)	$T_{RST(1)}$	$\overline{RESET}$	7		$1.3 \times C_T R_T$	$1.6 \times C_T R_T$	$1.9 \times C_T R_T$	
Reset Timer (2)	$T_{RST(2)}$	$\overline{RESET}$	7		$0.15 \times C_T$	$0.3 \times C_T$	$0.6 \times C_T$	
Clock Pulse Width	$T_W$	CK	—		3	—	—	$\mu s$

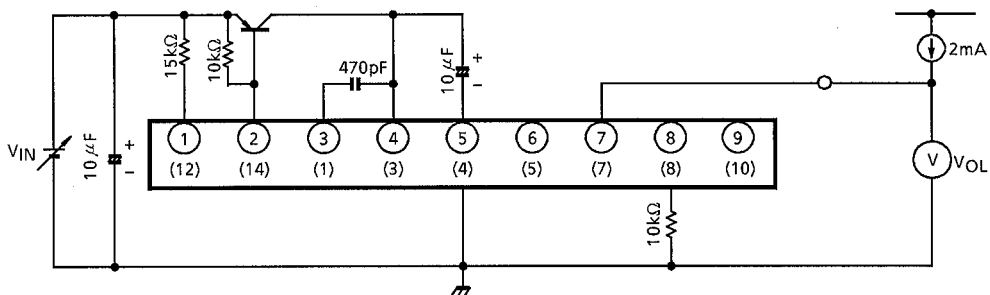
Note: Reset timer (1) : Power-on reset time  
 Reset timer (2) : Watchdog reset time  
 The unit for  $C_T$  is  $\mu F$ , the unit for  $R_T$  is  $k\Omega$

**TEST CIRCUIT** (Numbers in **O** show pin numbers of the TA8000S; those in **( )** show pin numbers of the TA8000F.)

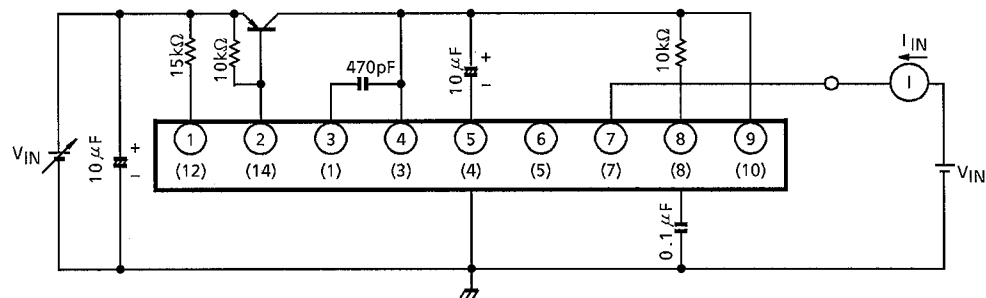
### 1. $V_{REG}$



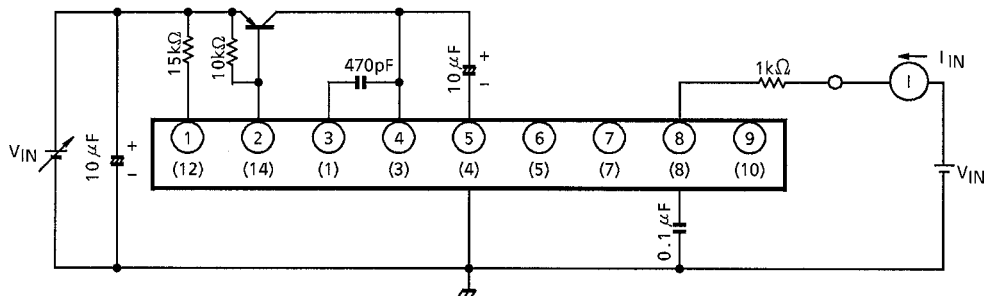
### 2. $V_{OL} (\overline{RESET})$



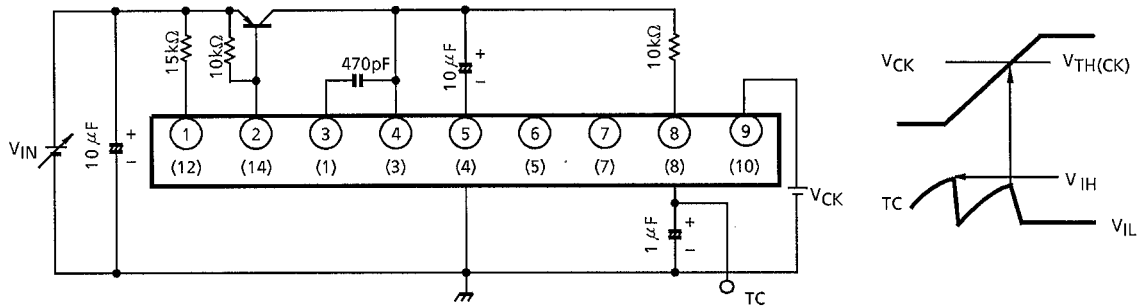
### 3. $I_{LEAK} (\overline{RESET})$



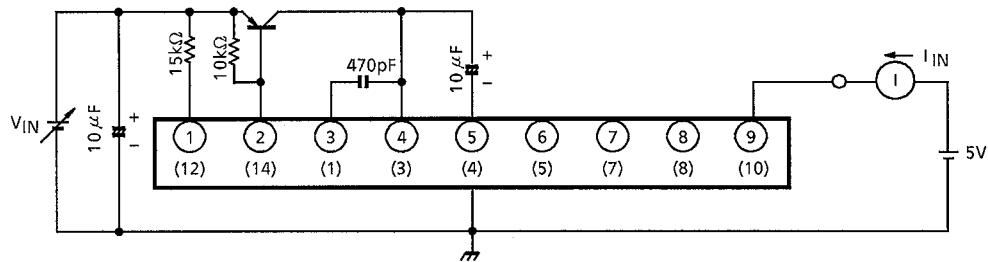
### 4. $I_{IN} (TC)$



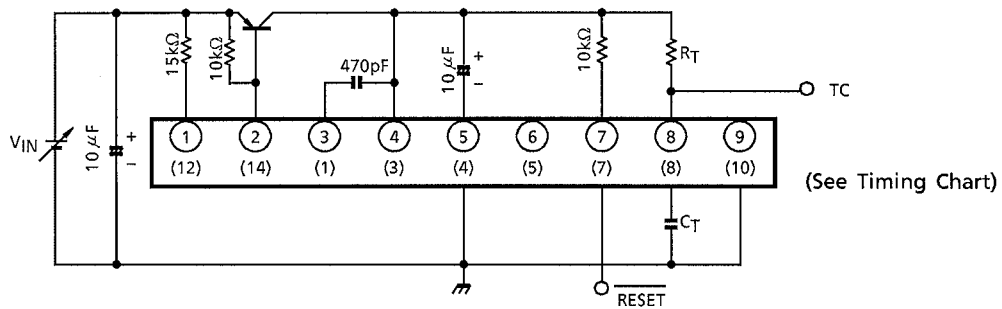
5.  $V_{IH}$ ,  $V_{IL}$  (TC),  $V_{IH}$ ,  $V_{IL}$  (CK)



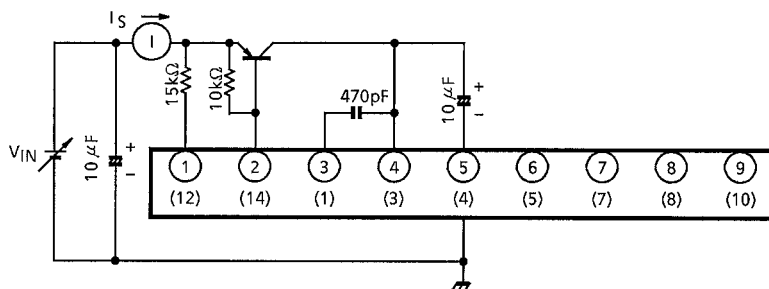
6.  $I_{IN}$  (CK)



7.  $V_{RESET}$ ,  $T_{WD}$ ,  $T_{RST}$  (1),  $T_{RST}$  (2)



8.  $I_s$



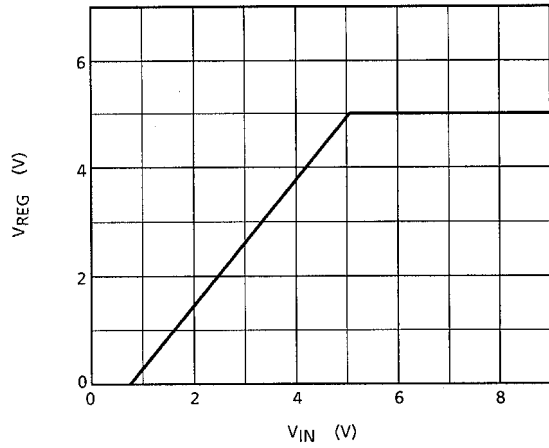


**TYPICAL CHARACTERISTICS**

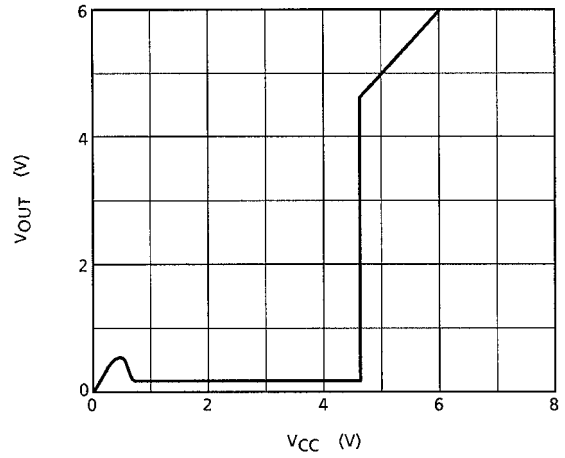
**1. Input-output characteristic**

( $R_L = 25\Omega$ , external transistor 2SA968-Y)

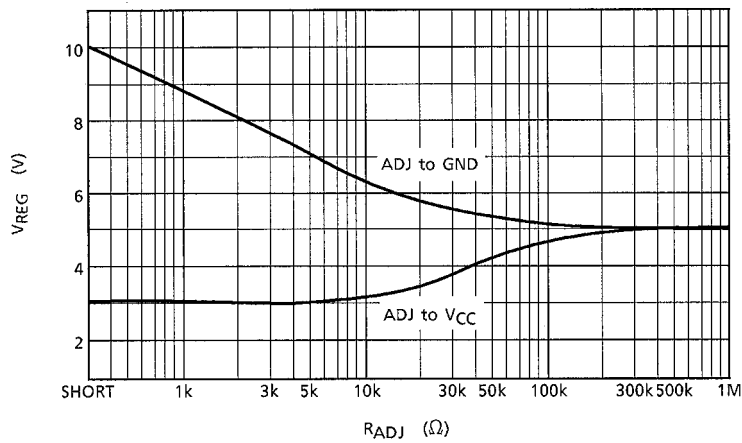
( $R_L$ : Load resistance between  $V_{REG}$  and GND)



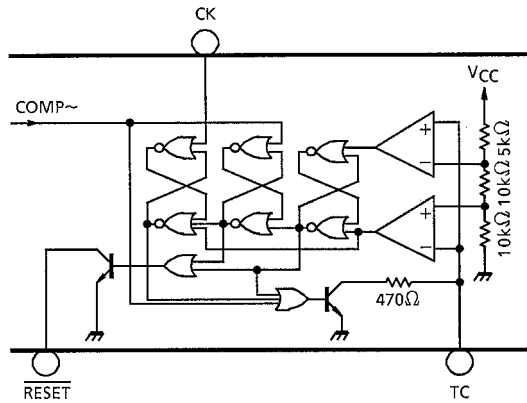
**2. Reset Output Characteristic**



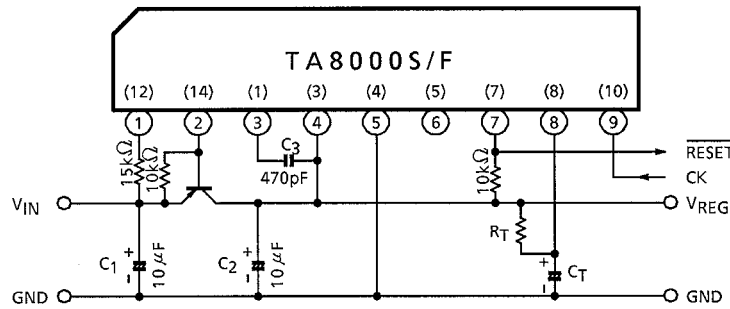
**3. Output Adjusting Resistance Characteristic**



**RESET TIMER EQUIVALENT CIRCUIT**



**EXAMPLE OF APPLICATION CIRCUIT** (Numbers in O show pin numbers of the TA8000S; those in ( ) show pin numbers of the TA8000F.)



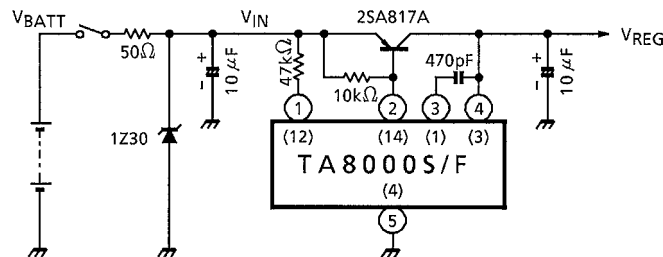
- \*: Cautions for Wiring
1. C<sub>1</sub> and C<sub>2</sub> are for absorbing disturbance, noise, etc. Connect them as close to the IC as possible.
  2. C<sub>3</sub> is for phase compensation. Also, connect C<sub>3</sub> close to the IC.

**120 Vpeak LOAD DUMP**

Note : No protection is needed if a voltage above 80V is not applied. Therefore, protection by a Zener diode and resistor is unnecessary.

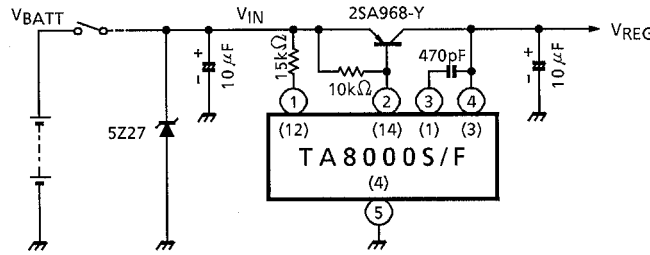
**1. Low Output Current Circuit**

$I_{LOAD} = 10\text{mA Max.}, V_{BATT} = 6 \text{ to } 17\text{V}$

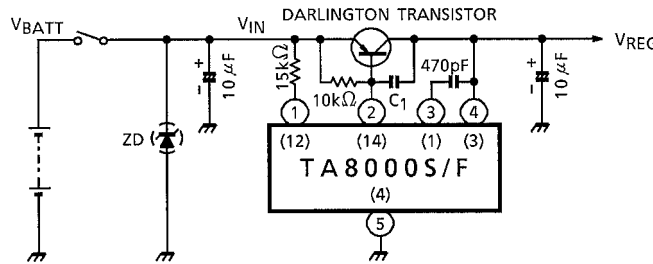


**2. High Output Current Circuit**

$I_{LOAD} = 300\text{mA Max.}$ ,  $V_{BATT} = 6\sim 17\text{V}$



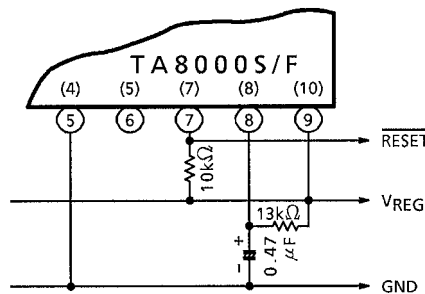
**EXAMPLE OF APPLICATION CIRCUIT USING DARLINGTON TRANSISTOR**



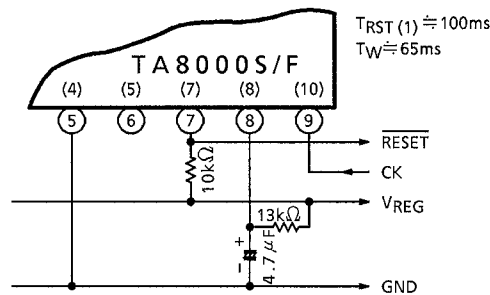
- \*: • Select a  $C_1$  value according to the working condition - - typically above 2000pF.
- Insert ZD when necessary.

**APPLICATION CIRCUIT OF WATCHDOG / RESET TIMER**

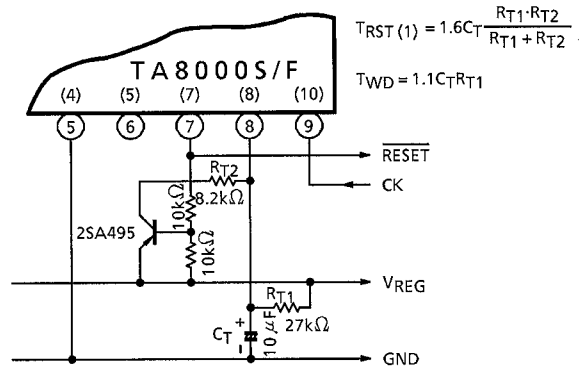
**1.  $T_{RST} (1) \approx 10\text{ms}$  Power-On Reset Timer**



**2.  $T_{RST} (1) \approx 1.5T_{WD}$**



3.  $T_{RST} (1) \approx 100ms$ ,  $T_{WD} \approx 300ms$



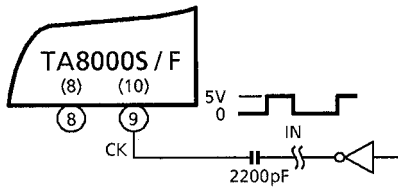
4. Recommended Conditions

PART NAME	MIN	MAX	UNIT
$C_T$	0.01	100	$\mu F$
$R_T$	5	100	$k\Omega$
$R_{T1}$	—	100	$k\Omega$
$R_{T1} // R_{T2}$ (Note)	5	—	$k\Omega$

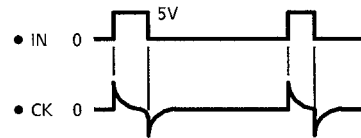
Note:  $R_{T1} // R_{T2} = (R_{T1} \times R_{T2}) / (R_{T1} + R_{T2})$

CK INPUT APPLICATION CIRCUIT

Capacitor Coupling



Timing Chart

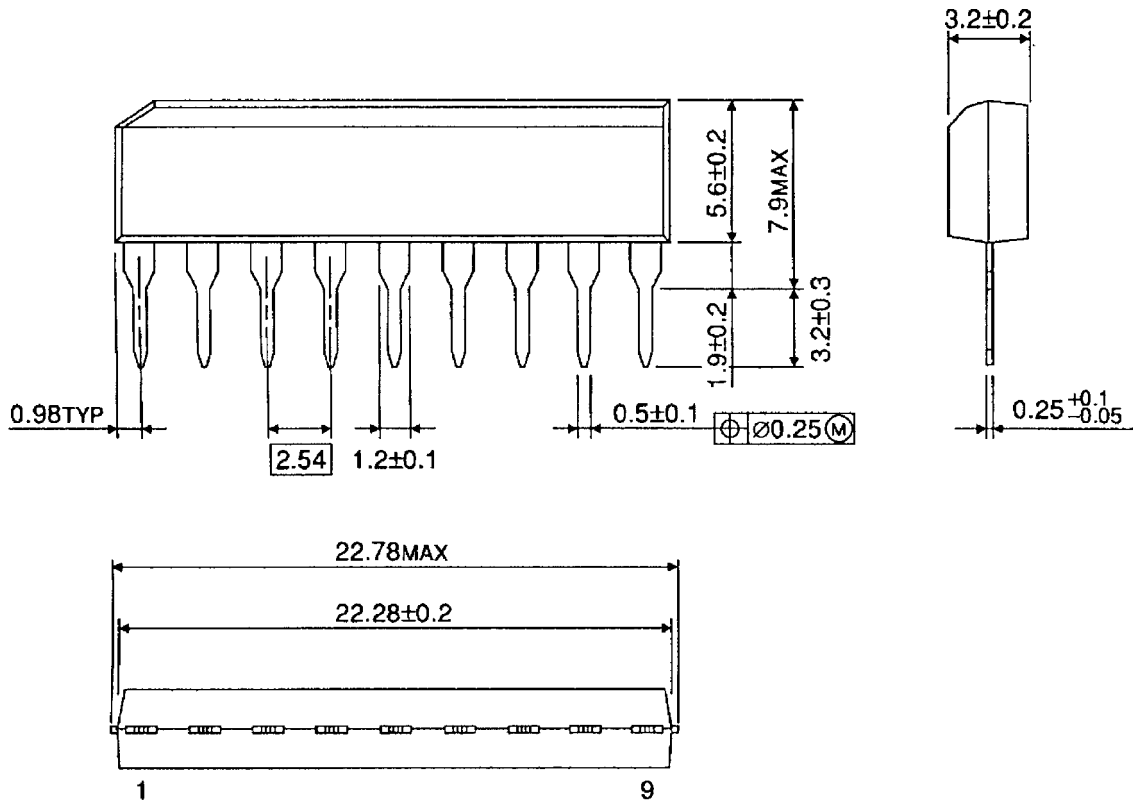


The capacitor coupling allows reset pulses to be supplied intermittently from the  $\overline{RESET}$  pin whether the input level (IN) is high or low.

## PACKAGE DIMENSIONS

SIP9-P-2.54A

Unit : mm

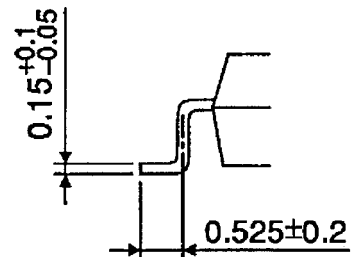
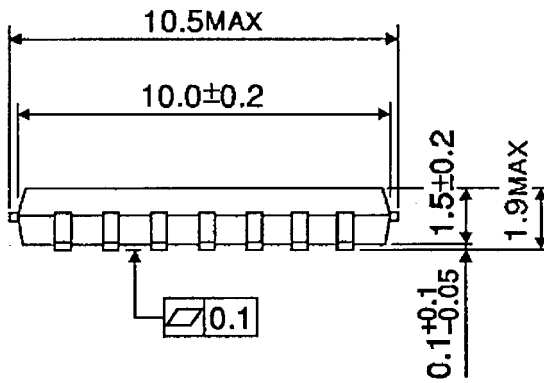
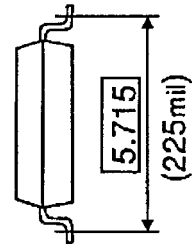
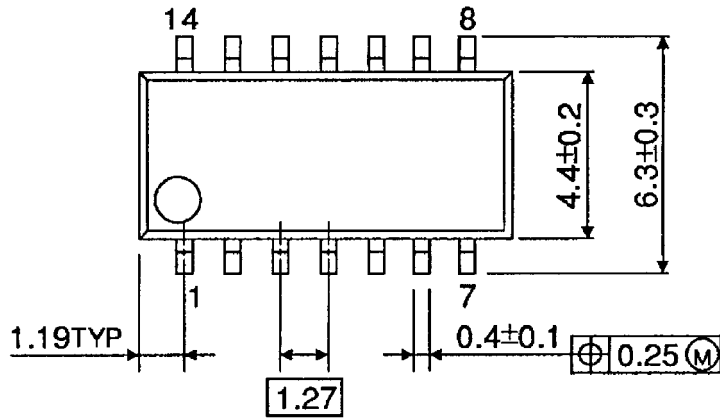


Weight: 0.92 g (typ.)

## PACKAGE DIMENSIONS

SOP14-P-225-1.27

Unit : mm



Weight: 0.2 g (typ.)

**RESTRICTIONS ON PRODUCT USE**

000707EAA\_S

- TOSHIBA is continually working to improve the quality and reliability of its products. Nevertheless, semiconductor devices in general can malfunction or fail due to their inherent electrical sensitivity and vulnerability to physical stress. It is the responsibility of the buyer, when utilizing TOSHIBA products, to comply with the standards of safety in making a safe design for the entire system, and to avoid situations in which a malfunction or failure of such TOSHIBA products could cause loss of human life, bodily injury or damage to property.  
In developing your designs, please ensure that TOSHIBA products are used within specified operating ranges as set forth in the most recent TOSHIBA products specifications. Also, please keep in mind the precautions and conditions set forth in the "Handling Guide for Semiconductor Devices," or "TOSHIBA Semiconductor Reliability Handbook" etc..
- The information contained herein is presented only as a guide for the applications of our products. No responsibility is assumed by TOSHIBA CORPORATION for any infringements of intellectual property or other rights of the third parties which may result from its use. No license is granted by implication or otherwise under any intellectual property or other rights of TOSHIBA CORPORATION or others.
- The information contained herein is subject to change without notice.