

TA8008F

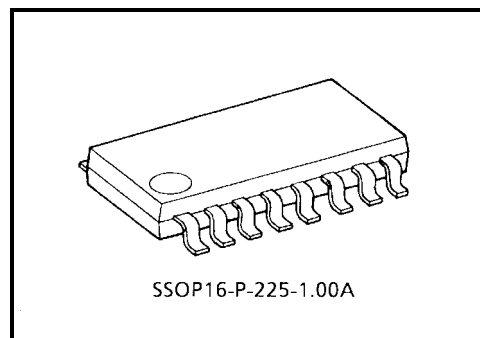
Voltage Regulator With Wake Up Timer

The TA8008F is designed for microcomputer systems. It incorporates a highly accurate constant-voltage power supply ($5 \pm 0.15V$), wake up timer which can make low current consumption of the system and various system reset function in a chip.

The wake up timer starts CPU system and etc. in periodically and decrease average current consumption. Starting period can be set with external capacitor.

The watchdog timer works while the system is working.

The TA8008F incorporates current limiter of 600mA (Typ.), so it is possible to build the system easily without external protection circuits and detection resistors.

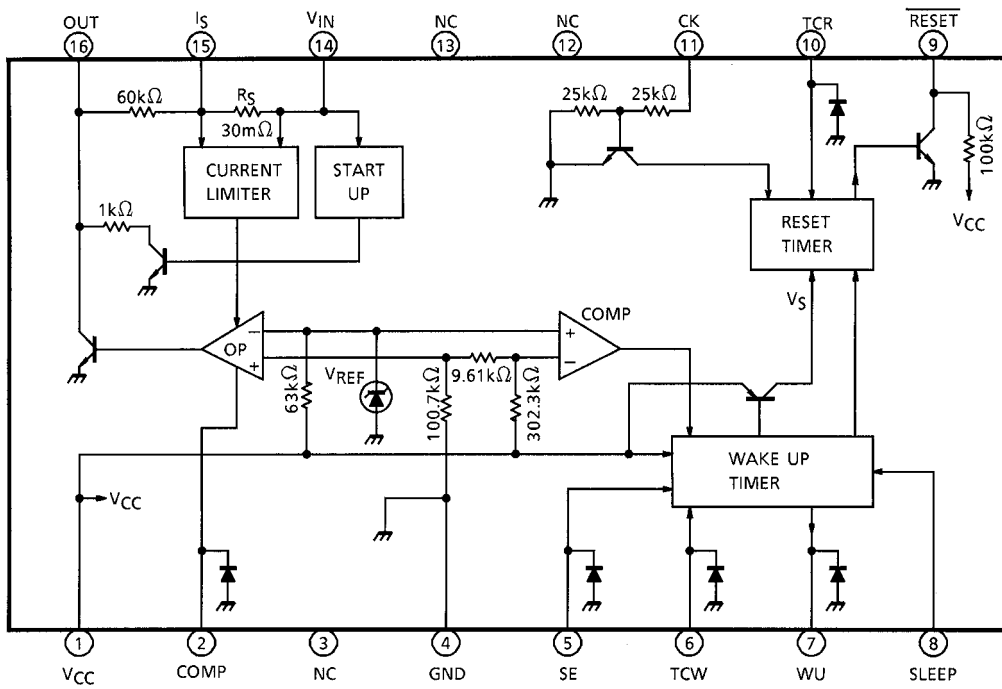


Weight: 0.14 g (typ.)

FEATURES

- Accurate output : $5 \pm 0.15V$ ($T_a = -40$ to $105^\circ C$)
- Low standby current : 0.95mA (Max.)
- Wake up timer incorporated : It is possible to set the periodical time with external capacitor.
- Reset function : Power on reset (The power on reset function can be selected for its function through the SE pin.)
Watchdog reset
- Current limiter incorporated : 600mA (Typ.)
- External parts are a few.
- Plastic SSOP 16 Pin Package.

BLOCK DIAGRAM AND PIN LAYOUT



PIN DESCRIPTION

PIN No.	SYMBOL	DESCRIPTION
1	V _{CC}	5V constant-voltage pin. Power supply pin for inside circuits. The output voltage 5V is also detected.
2	COMP	Phase compensation pin for output stabilization.
4	GND	Grounded.
5	SE	The power on reset function is controlled by this pin when the mode is changed active from standby. SE = L : The reset signal is output on every mode's change (standby→active). SE = H : The reset signal is output only when the power supply starts.
6	TCW	Pin for setting a time for the wake up timer. A capacitor is connected to this pin. It incorporates a 10μA (Typ.) constant-current, so external resistor is not needed. The wake up time is approximately calculated by the following formula : $TWU = 400 \times CW$ (ms) TWU : wake up time, CW : capacitor connected to 6 pin (μF)
7	WU	This pin outputs the wake up signal which starts the CPU. When 8 pin receives the sleep signal, this pin outputs wake up signal after TWU time which is set by TCW.
8	SLEEP	When the CPU goes into sleep mode, this pin receives the signal which comes from the CPU. If wake up function is not necessary : · Connected to "L" 5V power supply and all reset timers work. · Connected to "H" Become to be standby mode.
9	$\overline{\text{RESET}}$	Power-on / watchdog timer reset pin. · Generates a reset signal which is determined by the C of the TCR pin. · Intermittently generates reset pulses if no clock is supplied to the CK pin. The $\overline{\text{RESET}}$ signal is the output from the collector of an NPN transistor with a pull-up resistor.
10	TCR	Pin for setting a time for the reset timer and watchdog timer. It connects to a resistor and capacitor. The charging and discharging are done with internal 100μA (Typ.) constant-current and 1kΩ resistor, so external pull-up resistor and etc. are not needed.
11	CK	Clock input pin for the watchdog timer. If used for a power-on reset timer only, it is connected to the 9 pin (RESET) and to V _{CC} through resistor. (see Function Description; Watchdog timer function)
14	V _{IN}	Power supply pin for the current limiter and the startup circuit which turns on 5V power.
15	I _S	Detection pin for the current limiter. It incorporates current detection resistor (30mΩ) between V _{IN} and I _S . The load current exceeding 600mA activates the current limiter.
16	OUT	Connected to the base of an external PNP transistor so that the output voltage is stabilized. Power supply design suitable for particular load capacities is thus possible. Since recommended maximum I _{OUT} is 8mA, an output current of 320mA is assured if the external transistor has an h _{FE} of 40 or more.
3, 12, 13	NC	Non-connected pin. (Electrically, this pin is completely open.)

Functional Description

The TA8008F incorporates a constant-voltage 5V power supply function to feed stable power to the CPU, a system reset function to ensure stable operation of the CPU, and a wakeup timer function to materialize low-current operation of the application system by operating it intermittently. These functions are explained below.

(1) Constant-voltage 5V power supply function

This constant-voltage function has the reference voltage V_{ref} in the IC that is insusceptible to temperature changes and input voltage fluctuations. The power supply circuit is designed in such a way that this voltage is stepped up to 5V by using an OP amp and a voltage-dividing resistor. These OP amp and dividing resistor and an output transistor connected to the OP amp output together configure a closed loop. If you are using only the reset timer and not this power supply function, connect the BIAS, OUT, and COMP pins to GND.

A current detecting resistor is inserted between the VIN and the IS pins. The voltage generated in this resistor and the internal comparator together detect the load current 600mA (Typ). Because the detecting resistor is a small 30m Ω , the voltage drop is only 18mV at 600mA, making it possible to minimize the drop between input and output.

(2) Wakeup timer (See the timing chart)

A wakeup signal (WAKE-UP) is output from the IC to the application system, upon which the application system starts operating. Then when the application system enters a sleep state, it asserts a sleep signal (SLEEP) to the IC. The IC receives this signal and after an elapse of the set time (TWU) it outputs a wakeup signal again. By repeating this, the application system is operated intermittently, so that its average operating current can be reduced to a minimum. The TWU time is set using the capacitor connected to the TCW pin. Any desired value can be chosen for this capacitor according to the application equipment.

Suitable applications include monitoring various vehicle-mounted systems and a keyless entry system input signal wait function.

(3) System reset function (See Timing Chart)

- Voltage monitoring function

When powered on, the power-on reset timer starts counting the moment the voltage V_{CC} applied to the CPU exceeds 4.6V. When powered off, this voltage monitoring function outputs a reset signal immediately when V_{CC} drops below 4.6V. A reset signal also is output immediately when V_{CC} drops for some reason during normal operation. Then, when V_{CC} is restored to the normal voltage and exceeds 4.6V, the power-on reset timer starts counting.

This function works regardless of whether the application system is active while operating or during standby while in sleep state.

- Power-on reset timer function

To allow the 5V constant voltage to stabilize at power-on, as well as provide a sufficient time for the clock oscillation in the CPU to stabilize, the device remains reset for a predetermined time before being released from the reset state. The duration of this time can be set as desired by choosing appropriate values for the external capacitor connected to the TCR pin.

The system starts charging the capacitor when the VCC voltage exceeds 4.6V. When this charge voltage exceeds 4V, the capacitor is discharged by the IC's internal transistor. When the capacitor is discharged down to 2V, the reset signal is inverted to deactivate the reset.

Also, when the wakeup timer is operating, the select pin SE can be chosen to know whether a power-on reset is generated at switchover from standby to active modes.

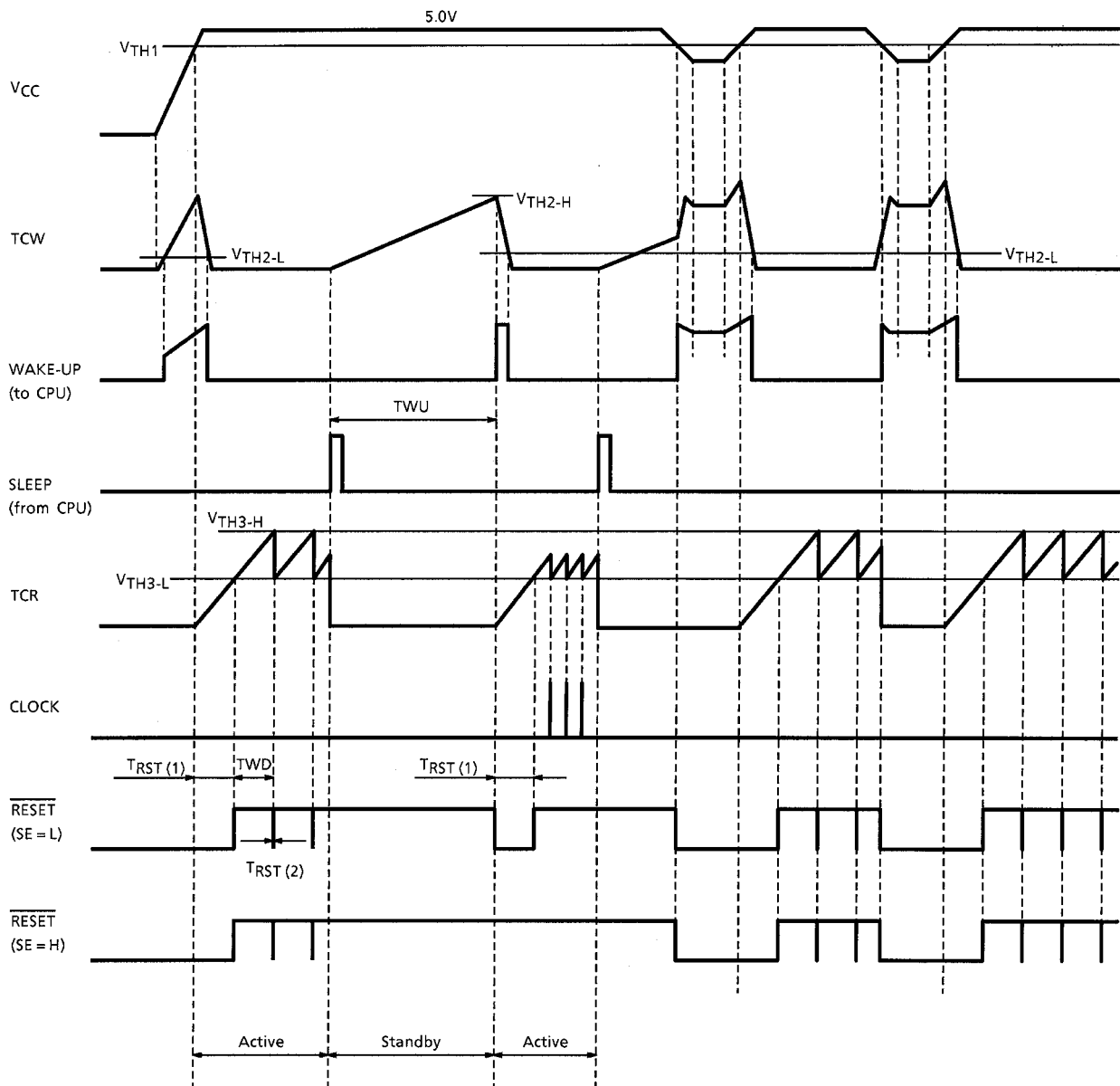
- Watchdog timer function

Program your system to output a clock each time one program routine is finished in the CPU system software, and input this clock to the CK pin of the IC. The IC's TC pin is repeatedly charged and discharged between 2V and 4V. However, when a clock is input, it switches over and starts discharging in the middle of charging and then starts charging from 2V again. Since the clock is generated at predetermined intervals when the CPU system is operating normally, the TC pin switches over and starts discharging before the charge voltage reaches 4V. However, if no clock is input while being charged from 2V to 4V, the clock is assumed to have stopped, i.e., the CPU system has gone wild, so that a reset signal is output to reset the CPU system.

The IC's CK pin is connected to the CPU system with a differential circuit. This is to ensure that when an erratic condition occurs in the CPU system, a low signal is always input to the CK pin regardless of whether the clock output from the CPU has stopped in the high or low state.

When the CK pin is connected to $\overline{\text{RESET}}$ pin, no reset signal is output, in which case only the power-on reset timer is useful. However, it also needs to connect to VCC through a resistor, because the output voltage of $\overline{\text{RESET}}$ goes down by combination of inner resistors .

TIMING CHART



Note: See Electrical Characteristics for symbols in the timing chart.

MAXIMUM RATINGS (Ta=25°C)

CHARACTERISTIC	SYMBOL	PIN	RATING	UNIT
Input Voltage	V _{IN1}	V _{IN} , I _S	60 (1s)	V
	V _{IN2}	CK, SLEEP	-5~V _{CC}	
	V _{IN3}	SE	-0.5~V _{CC}	
Output Current	I _{OUT1}	OUT	10	mA
	I _{OUT2}	$\overline{\text{RESET}}$	2	
	I _{OUT3}	WU	-1	
Output Voltage	V _{OUT1}	OUT	60 (1s)	V
	V _{OUT2}	$\overline{\text{RESET}}$	V _{CC}	
Power Dissipation	P _D	—	500	mW
Operating Temperature	T _{opr}	—	-40~105	°C
Storage Temperature	T _{stg}	—	-55~150	°C
Lead Temperature-time	T _{sol}	—	260 (10s)	°C

ELECTRICAL CHARACTERISTICS ($V_{IN} = 6\sim 18V$, $I_{LOAD} = 10mA$, $T_a = -40\sim 105^{\circ}C$)

(1) DC CHARACTERISTICS

CHARACTERISTIC	SYMBOL	PIN	TEST CONDITION	MIN	TYP.	MAX	UNIT
Output Voltage	V_{REG}	V_{CC}		4.85	5.0	5.15	V
Line Regulation		V_{CC}	$V_{IN} = 5.5\sim 40V$	—	0.1	0.5	%
Load Regulation		V_{CC}	$I_{LOAD} = 1\sim 50mA$	—	0.1	0.5	%
Temperature Coefficient		V_{CC}		—	0.01	—	% / $^{\circ}C$
Input Current	I_{IN}	SE	$V_{IN} = 0\sim 5V$	—	—	5	μA
Input Voltage	V_{IH}	SE		2	—	—	V
	V_{IL}			—	—	0.5	
Input Current	I_{IN}	SLEEP	$V_{IN} = 5V$	—	17	35	μA
Input Voltage	V_{IH}	SLEEP		2.5	—	—	V
	V_{IL}			—	—	0.5	
Output Leakage Current	I_{LEAK}	\overline{RESET}	$V_{OUT} = 5V$	—	—	5	μA
		WU	$V_{OUT} = 0V$	-5	—	—	
Output Voltage	V_{OL}	\overline{RESET}	$I_{OL} = 1mA$	—	—	0.5	V
	V_{OH}	WU	$I_{OH} = 1mA$	$V_{CC} - 0.5$	—	—	
Input Current	I_{IN}	TCW		—	-10	—	μA
		TCR		—	-100	—	
Threshold Voltage	V_{TH2-H}	TCW		—	$V_{REG} \times 80\%$	—	V
	V_{TH2-L}			—	$V_{REG} \times 20\%$	—	
	V_{TH3-H}	TCR		—	$V_{REG} \times 80\%$	—	
	V_{TH3-L}			—	$V_{REG} \times 40\%$	—	
Input Current	I_{IN}	CK	$V_{IN} = 5V$	—	0.17	0.35	mA
Input Voltage	V_{IH}	CK		2	—	—	V
	V_{IL}			—	—	0.5	
Reset Detect Voltage	V_{TH1}			$V_{REG} \times 89\%$	$V_{REG} \times 92\%$	$V_{REG} \times 95\%$	
Standby Current	I_{ST}	V_{IN}		—	0.5	0.95	mA
Power Supply Current	I_{CC}	V_{IN}		—	2.8	5.0	mA
Current Limiter Detection	I_{LMT}	I_S		—	600	—	mA

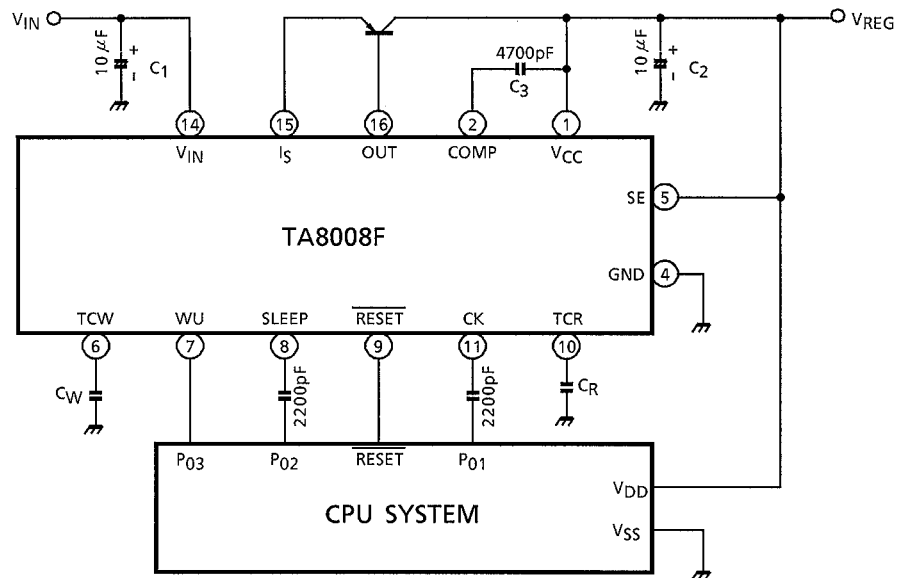
(2) AC CHARACTERISTICS

CHARACTERISTIC	SYMBOL	PIN	TEST CONDITION	MIN	TYP.	MAX	UNIT
Wake Up Timer	TWU	WU		$275 \times CW$	$400 \times CW$	$580 \times CW$	ms
Watchdog Timer	TWD	\overline{RESET}		$13 \times CR$	$20 \times CR$	$30 \times CR$	
Reset Timer (1)	$T_{RST(1)}$		$10 \times CR$	$16 \times CR$	$24 \times CR$		
Reset Timer (2)	$T_{RST(2)}$		$0.3 \times CR$	$0.7 \times CR$	$1.5 \times CR$		
Sleep Pulse Width	T_{SLEEP}	SLEEP		3	—	—	μs
Clock Pulse Width	TW	CK		3	—	—	

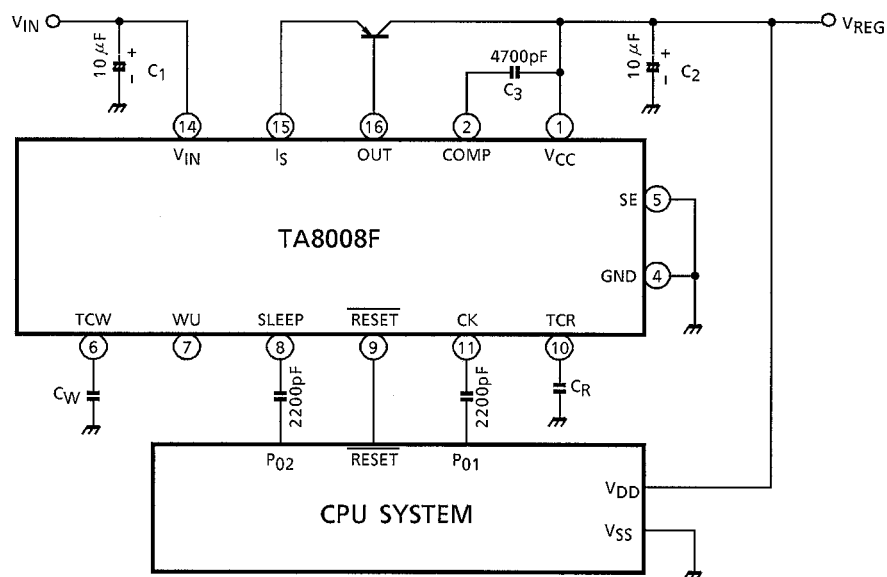
*: UNIT ; CR, CW (μF)

EXAMPLE OF APPLICATION CIRCUIT

1. Example for using the wake up signal to start the CPU system.



2. Example for using the reset signal to start the CPU system.



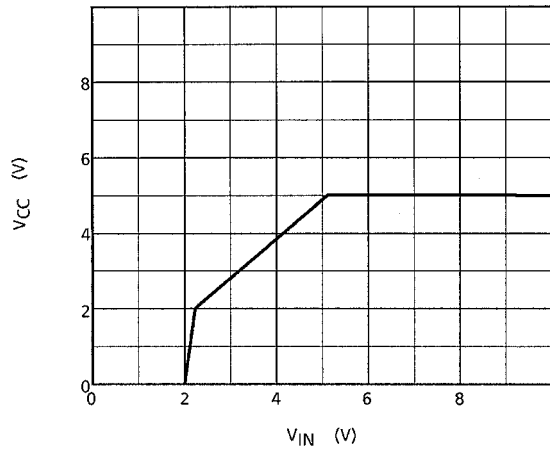
∗:

Cautions for Wiring

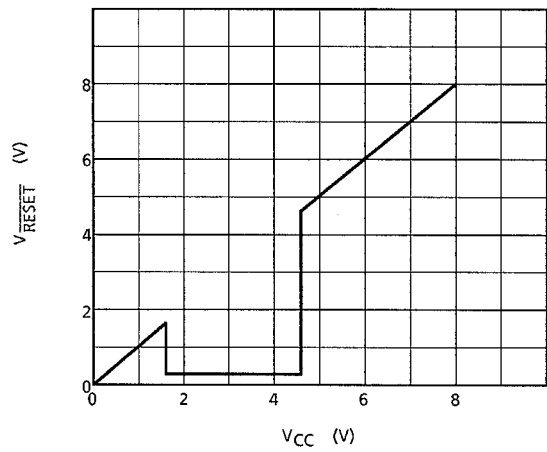
1. C₁ and C₂ are for absorbing disturbance, noise, etc. Connect them as close to the IC as possible.
2. C₃ is for phase compensation. Also, connect C₃ close to the IC.

TYPICAL CHARACTERISTIC

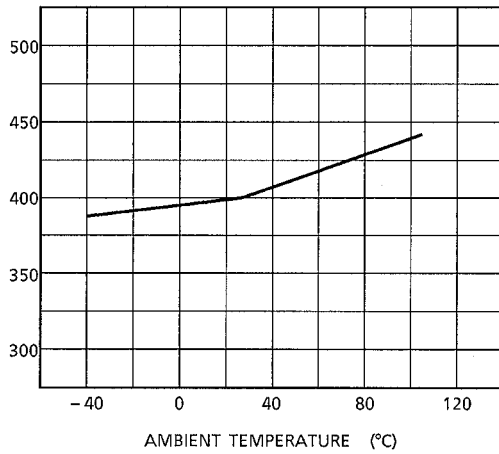
INPUT-OUTPUT CHARACTERISRIC (RL = 500Ω)



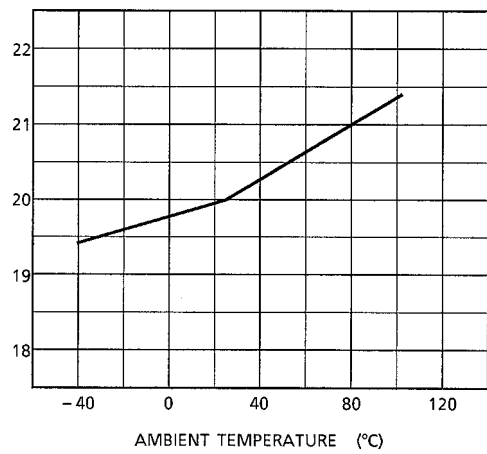
RESET OUTPUT CHARACTERISTIC



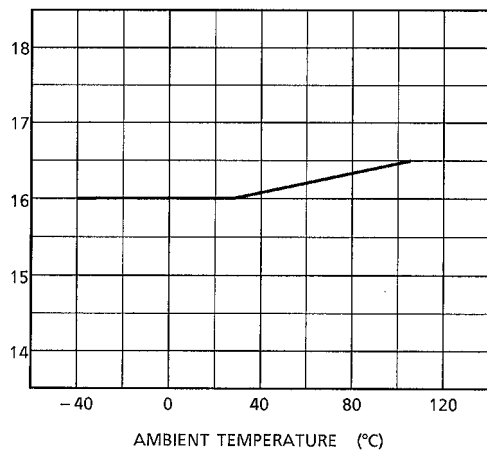
TWU TIME COEFFICIENT CHARACTERISTIC



TWD TIME COEFFICIENT CHARACTERISTIC



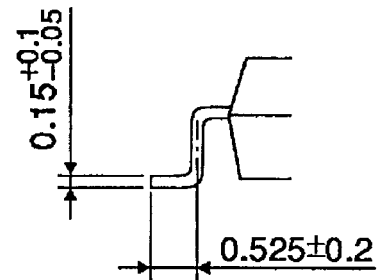
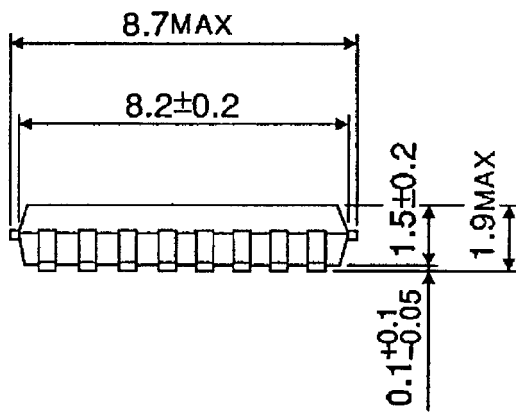
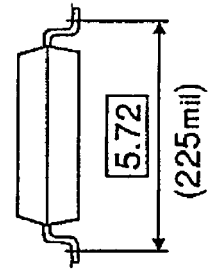
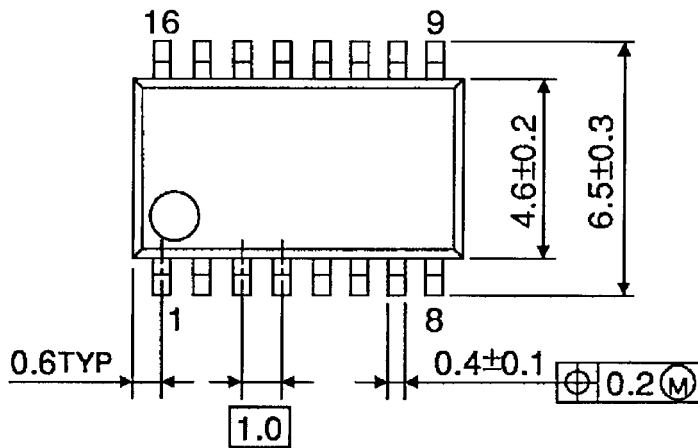
TRST(1) TIME COEFFICIENT CHARACTERISTIC



Package Dimensions

SSOP16-P-225-1.00A

Unit : mm



Weight: 0.14 g (typ.)

RESTRICTIONS ON PRODUCT USE

000707EAA_S

- TOSHIBA is continually working to improve the quality and reliability of its products. Nevertheless, semiconductor devices in general can malfunction or fail due to their inherent electrical sensitivity and vulnerability to physical stress. It is the responsibility of the buyer, when utilizing TOSHIBA products, to comply with the standards of safety in making a safe design for the entire system, and to avoid situations in which a malfunction or failure of such TOSHIBA products could cause loss of human life, bodily injury or damage to property.
In developing your designs, please ensure that TOSHIBA products are used within specified operating ranges as set forth in the most recent TOSHIBA products specifications. Also, please keep in mind the precautions and conditions set forth in the "Handling Guide for Semiconductor Devices," or "TOSHIBA Semiconductor Reliability Handbook" etc..
- The information contained herein is presented only as a guide for the applications of our products. No responsibility is assumed by TOSHIBA CORPORATION for any infringements of intellectual property or other rights of the third parties which may result from its use. No license is granted by implication or otherwise under any intellectual property or other rights of TOSHIBA CORPORATION or others.
- The information contained herein is subject to change without notice.