

TA8045BF

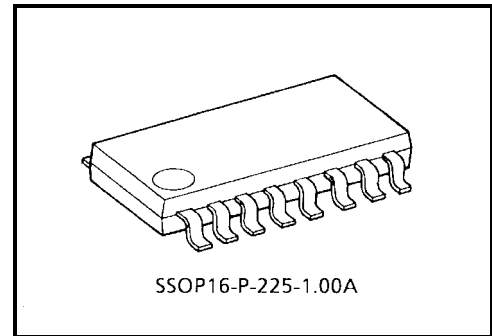
5V Voltage Regulator With Watchdog Timer

This IC is designed especially for microcomputer system in automobiles and is capable of providing output voltage $5 \pm 0.15V$ without any adjustment.

This IC incorporates the system reset function, that is, low voltage reset and watchdog timer which can self-diagnose the microcomputer system so that program runaway can be prevented.

This IC also has an over-voltage protection, current limiter and thermal protection to protect the IC from destruction caused of overstress and load accident.

In addition, this IC has a low standby current function, so it can be connected directly to an automotive battery.

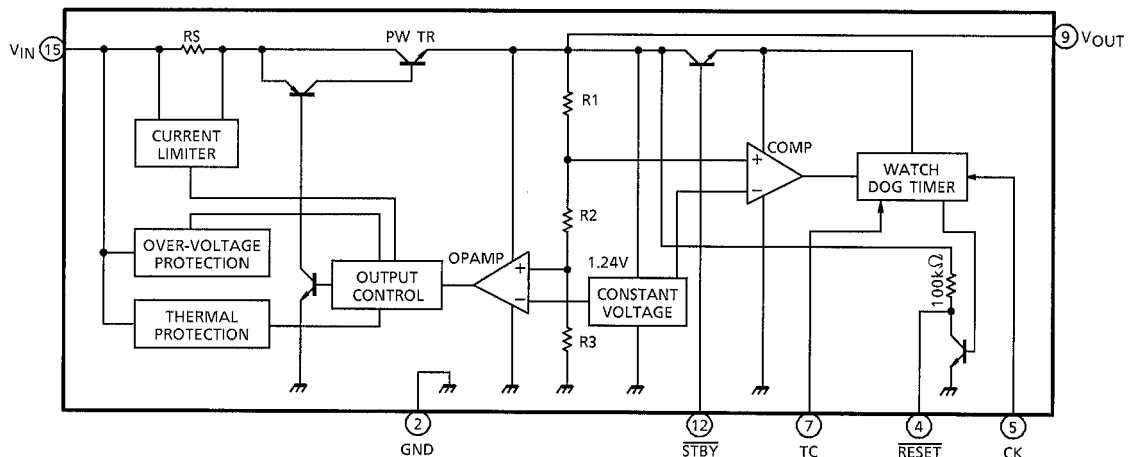


Weight: 0.14 g (typ.)

FEATURES

- Operating DC Supply Voltage Range : 6~30V
- Transient Supply Voltage : 60V (Max.)
- Extremely low Quiescent Current in Standby Mode : $400 \mu A$ (Max.)
- High Accurate Output Voltage : $5 \pm 0.15V$ (3%)
- Output Current Capability : 50mA (Max.)
- Dropout Voltage between VIN and Vout : 1V (Iout = 50mA)
- On-Chip System reset function
 - : Watchdog Timer, power On Reset Timer, Low Voltage Reset.
- On-Chip Protective function
 - : Current limiter (100mA Typ.), Over-Voltage Protection (28V Typ.), Thermal Protection (150°C Typ.).
- Wide Operating temperature : $-40 \sim 105^{\circ}C$ (125°C)
- Compact Package : Plastic SSOP 16 Pin Package.

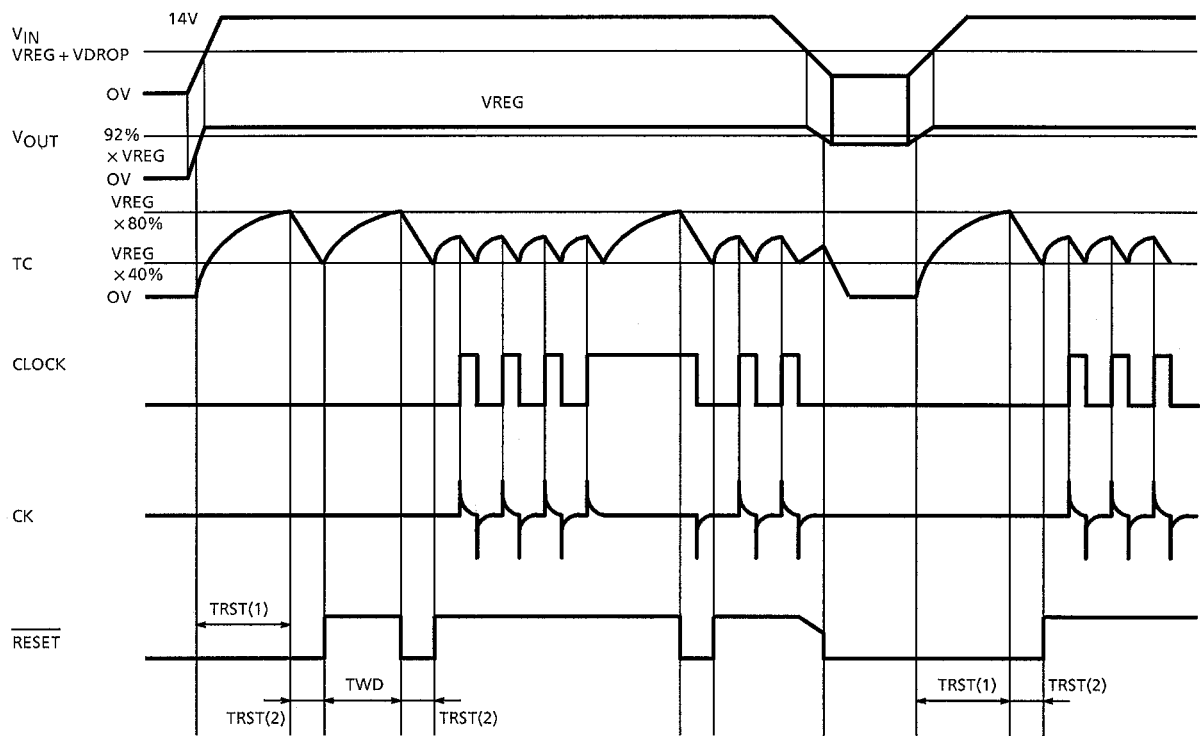
BLOCK DIAGRAM



PIN DESCRIPTION

PIN No.	SYMBOL	DESCRIPTION
2	GND	Grounded.
4	$\overline{\text{RESET}}$	Watchdog timer reset pin. - Generates a reset signal which is determined by the CR combination of the TC pin. - Intermittently generates reset pulses if no clock is supplied to the CK pin. The $\overline{\text{RESET}}$ signal is the output from the collector of an NPN transistor with a pull-up resistor.
5	CK	Clock input pin for the watchdog timer. If it is used for a Power-on reset timer only, it is pulled up to $\overline{\text{RESET}}$ pin.
7	TC	Pin for setting a time for the reset timer and watchdog timer. It connects to a resistor R_T which leads to V_{CC} and a capacitor C_T which is grounded.
9	V_{OUT}	Output pin for 5V constant-voltage power supply. It has a current capacity of up to 50mA (Max.). This pin is also a power supply pin for the reset timer.
12	$\overline{\text{STBY}}$	Standby mode setup pin. When the signal is low, the system is in standby mode in which the reset timer is off and the power current is limited to 0.4mA or less. When the signal is high, the system is in active mode in which the power supply and reset timer are active.
15	V_{IN}	Power supply input pin.
1, 3, 6, 8, 10, 11, 13, 14, 16	NC	Not connected. (Electrically, this pin is completely open.)

TIMING CHART



Note: See Electrical Characteristics for symbols in the timing chart.

MAXIMUM RATINGS (Ta = 25°C)

CHARACTERISTIC	SYMBOL	PIN	RATING	UNIT
Input Voltage	V _{IN1}	V _{IN}	30 (DC)	V
	V _{IN2}		60 (<1s)	
Input Voltage	V _{IN3}	CK	-5~5	V
	V _{IN4}	RESET, STBY, TC	-0.3~5	
Input Current	I _{IN}	CK, STBY, TC	-5~5	mA
Output Current	I _{OUT}	V _{OUT}	50	mA
		RESET	2	
Output Voltage	V _{OUT}	V _{OUT} , RESET	16	V
Operation Temperature	T _{OPR}		-40~105	°C
Junction Temperature	T _j		-40~150	°C
Storage Temperature	T _{stg}		-40~150	°C
Lead Temperature Time	T _{sol}		260 (10s)	°C

THERMAL DATA

CHARACTERISTIC	SYMBOL	RATING	UNIT
Power Dissipation	PD	0.6	W
Thermal Resistance Junction-ambient	R _{θJ-A}	160 *	°C / W
Thermal Shutdown Junction-Temperature	T _{JSD}	150	°C

*: When mounted on Board
(50×50×1.6mm 30% Cu)

AC CHARACTERISTICS

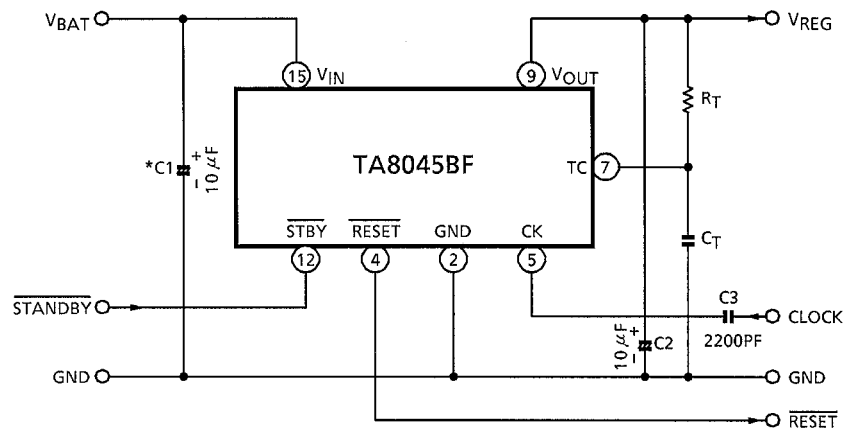
CHARACTERISTIC	SYMBOL	PIN	TEST CONDITION	MIN	TYP.	MAX	UNIT
Watchdog Timer	TWD	RESET		0.9× C _T -R _T	1.1× C _T -R _T	1.3× C _T -R _T	ms
	T _{RST} (1)			1.3× C _T -R _T	1.6× C _T -R _T	1.9× C _T -R _T	ms
	T _{RST} (2)			0.3× C _T	0.7 ×C _T	1.5× C _T	ms
Clock Pulse Width	TW	CK		3	—	—	μs
Transfer Delay Time	T _{DHL}	RESET	C1 = 0μF RESET "High" to "Low"	—	3	10	μs

Note: The unit for C_T is μF, the unit for R_T is kΩ.

ELECTRICAL CHARACTERISTICS $(V_{IN} = 6\sim 18V, T_a = -40\sim 105^{\circ}C, I_{LOAD} = 10mA)$ unless otherwise specified

CHARACTERISTIC	SYMBOL	PIN	TEST CONDITION	MIN	TYP.	MAX	UNIT
Output Voltage	V_{REG}	V_{OUT}	$I_{LOAD} = 0\sim 35mA$ $T_a = -40\sim 85^{\circ}C$	4.85	5	5.15	V
Line Regulation	V_{LINE}	V_{OUT}	$V_{IN} = 6\sim 25V$	—	0.1	0.5	%
Load Regulation	V_{LOAD}	V_{OUT}	$T_a = 25^{\circ}C$, $I_{LOAD} = 1\sim 50mA$	—	0.1	0.5	%
Temperature Coefficient	$\Delta V_{REG} / \Delta OUT$	V_{OUT}		—	0.01	—	% / $^{\circ}C$
Dropout Voltage	V_{DROP}	V_{OUT}	$I_{LOAD} = 50mA$ $T_a = 25^{\circ}C$	—	0.85	1.0	V
Current Limiter Detection	I_{LIMIT}	V_{OUT}		—	100	—	mA
Reset Detect Voltage	V_{TH}	V_{OUT}		$V_{REG}^{\times} 89\%$	$V_{REG}^{\times} 92\%$	$V_{REG}^{\times} 95\%$	V
Output Voltage	V_{OL}	\overline{RESET}	$I_{OL} = 1mA$		0.3	0.5	V
Output Leakage Current	I_{LEAK}	\overline{RESET}	$V_{OUT} = 5V$	-5	0	5	μA
Input Current	I_{IN}	TC	$V_{IN} = 0\sim 3.5V$	-3	0	3	μA
Threshold Voltage	V_{TH-H}	TC	\overline{RESET} "High" to "Low"	—	$V_{REG}^{\times} 80\%$	—	V
	V_{TH-L}		\overline{RESET} "Low" to "High"	—	$V_{REG}^{\times} 40\%$	—	
Input Current	I_{IN}	CK	$V_{IN} = 5V$	—	0.3	0.7	mA
Input Detect Voltage	V_{IH}	CK		2	—	—	V
	V_{IL}	\overline{STBY}		—	—	0.5	
Input Current	I_{IN}	\overline{STBY}	$V_{IN} = 5V$	—	0.3	0.7	mA
Standby Current	I_{ST}	V_{IN}	$\overline{STBY} = "L", V_{IN} = 14V$	—	0.18	0.4	mA
Current Consumption	I_{CC}	V_{IN}	$\overline{STBY} = "H", V_{IN} = 14V$	—	1.2	2.4	mA
Over-Voltage Detection	V_{SD}	V_{IN}		25	28	31	V

EXAMPLE OF APPLICATION CIRCUIT



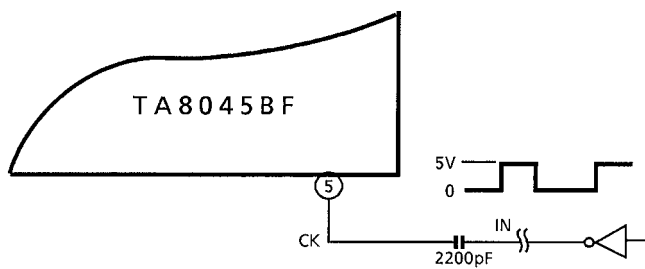
- *: Caution for Wiring
1. C1 and C2 are for absorbing disturbance, noise, etc. Connect them as close to the IC as possible.
 2. Use capacitor C1 and C2 having less temperature coefficient (tantalum capacitor, etc).

RECOMMENDED CONDITIONS

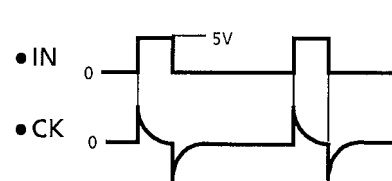
PART NAME	MIN	MAX	UNIT
C _T	0.01	100	µF
R _T	5	100	kΩ

CK INPUT APPLICATION CIRCUIT

Capacitor Coupling



Timing Chart

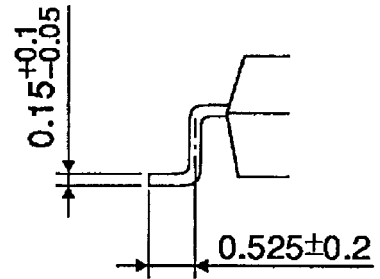
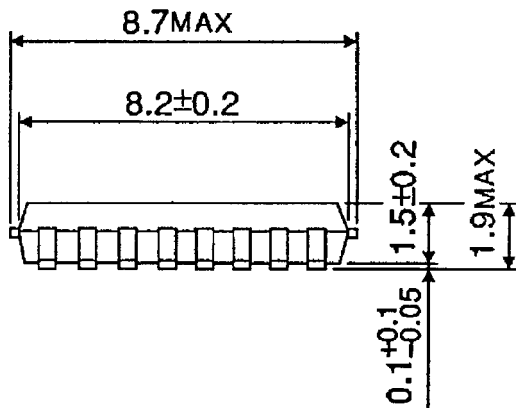
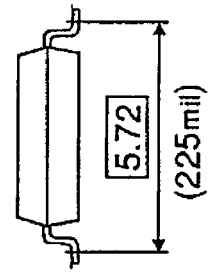
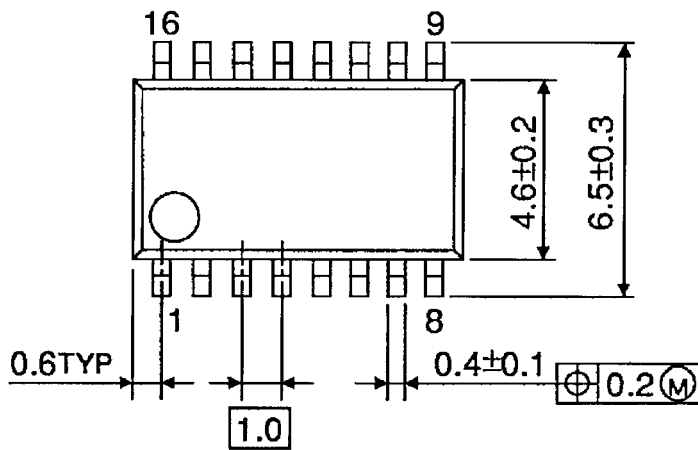


The capacitor coupling allows reset pulses to be supplied intermittently from the $\overline{\text{RESET}}$ pin whether the input level (IN) is high or low.

PACKAGE DIMENSIONS

SSOP16-P-225-1.00A

Unit : mm



Weight: 0.14g (Typ.)

RESTRICTIONS ON PRODUCT USE

000707EAA_S

- TOSHIBA is continually working to improve the quality and reliability of its products. Nevertheless, semiconductor devices in general can malfunction or fail due to their inherent electrical sensitivity and vulnerability to physical stress. It is the responsibility of the buyer, when utilizing TOSHIBA products, to comply with the standards of safety in making a safe design for the entire system, and to avoid situations in which a malfunction or failure of such TOSHIBA products could cause loss of human life, bodily injury or damage to property.
In developing your designs, please ensure that TOSHIBA products are used within specified operating ranges as set forth in the most recent TOSHIBA products specifications. Also, please keep in mind the precautions and conditions set forth in the "Handling Guide for Semiconductor Devices," or "TOSHIBA Semiconductor Reliability Handbook" etc..
- The information contained herein is presented only as a guide for the applications of our products. No responsibility is assumed by TOSHIBA CORPORATION for any infringements of intellectual property or other rights of the third parties which may result from its use. No license is granted by implication or otherwise under any intellectual property or other rights of TOSHIBA CORPORATION or others.
- The information contained herein is subject to change without notice.