

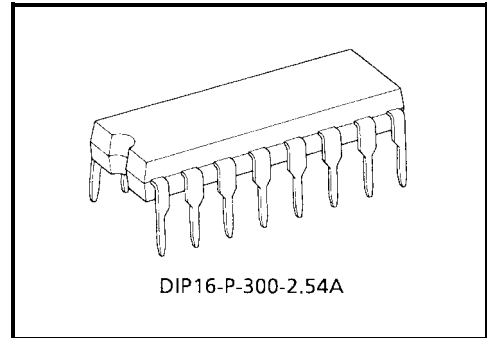
# TA8081P

## 0.7A MOTOR DRIVER WITH DIAGNOSIS

The TA8081P is a 0.7A motor driver which directly drives a bidirectional DC motor. Inputs DI1 and DI2 are combined to select one of forward, reverse, stop, and brake modes. Since the inputs are TTL-compatible, this IC can be controlled directly from a CPU or other control system. The IC also has various protective, self-diagnostic, and standby functions.

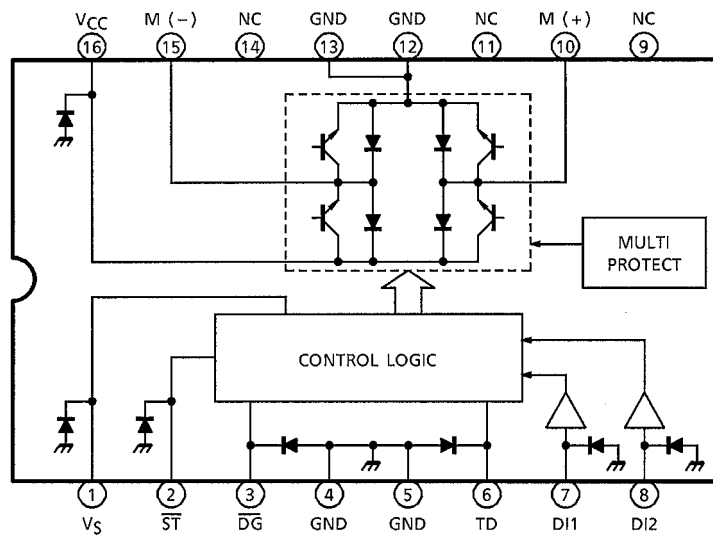
### FEATURES

- Bidirectional DC motor driver.
- Current capacity: 0.7A (max)
- Low standby current: 100 $\mu$ A (max)
- Four operation modes: Forward, reverse, stop, and brake.
- Recommended operating supply voltage range: VCC = 6 V to 16 V
- Protective functions: Thermal shutdown, short-circuit protection, and over-voltage shutdown.
- Built-in counter electromotive force absorption diodes.
- Self-diagnostic output: On short-circuit detection.
- Plastic DIP-16pin.



Weight: 1.0 g (typ.)

### BLOCK DIAGRAM AND PIN LAYOUT



## PIN DESCRIPTION

PIN No.	SYMBOL	DESCRIPTION
1	$V_S$	Control power supply pin. This pin is completely isolated from $V_{CC}$ .
2	$\overline{ST}$	When this pin is opened or grounded, the output turns off, thus reducing the current consumption to 100 $\mu$ A or less. If standby mode is not needed, the pin is connected to $V_{CC}$ .
3	$\overline{DG}$	Self-diagnostic output pin. When the output current becomes 1.5A or more, this pin outputs a protection switching waveform similar to the waveform which would be supplied from M (+) / M (-) pin. If a capacitor is connected to the TD pin, the signal from this pin will become low after a specific delay. The output from the pin is an open-collector output. The delay time is calculated approximately by the following : TD = 50 $\times$ C <sub>T</sub> (ms) C <sub>T</sub> ( $\mu$ F)...The permissible range of C <sub>T</sub> is from 0.01 $\mu$ F to 2 $\mu$ F.
6	TD	Provides a delay for the $\overline{DG}$ output. A capacitor is connected between this pin and GND. When the pin is opened, the $\overline{DG}$ pin supplies a switching output.
78	DI1 DI2	Output status control pin. Connects to a PNP-type voltage comparator.
10	M (+)	Connects to the DC motor. Both the sink and the source have a current capacity of 0.7A. Diodes for absorbing counter electromotive force are contained on the $V_{CC}$ and GND sides.
15	M (-)	Connects to the DC motor together with pin 10 and has the same function as pin 10. This pin is controlled by the inputs from pins 7 and 8.
16	$V_{CC}$	Output section power supply pin. This pin has a function to turn off the output when the applied voltage exceeds 30.0V, thus protecting the IC and the load.
4, 5, 12, 13	GND	Grounded.
9, 11, 14	NC	Not connected. (Electrically, this pin is completely open.)

## TRUTH TABLE

INPUT			OUTPUT		OUTPUT MODE
DI1	DI2	$\overline{ST}$	M (+)	M (-)	
H	H	H	L	L	Brake
L	H	H	L	H	Reverse (CCW)
H	L	H	H	L	Forward (CW)
L	L	H	OFF (high impedance)		Stop
H / L	H / L	L	OFF (high impedance)		Standby (stop)

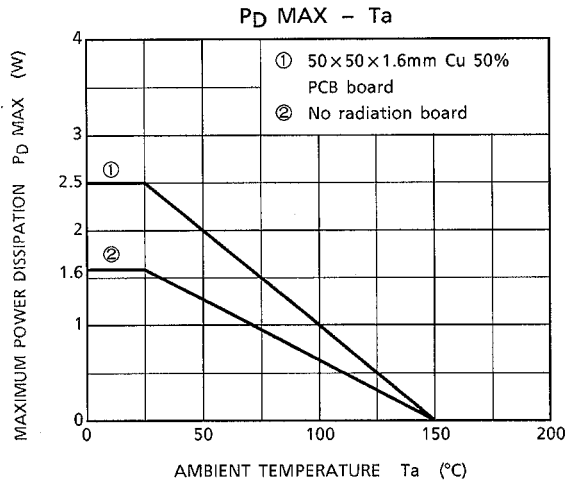
## MAXIMUM RATINGS (Ta = 25°C)

CHARACTERISTIC	SYMBOL	RATING	UNIT
Power Supply Voltage	$V_{CC}$	33	V
	$V_{CC}$	60 (1s)	
Input Voltage	$V_{IN}$	-0.3~ $V_{CC}$	V
Output Current	$I_{O\ AVE}$	0.7	A
Power Dissipation	$P_D$	1.6	W
Operating Temperature	$T_{opr}$	-40~110	°C
Storage Temperature	$T_{stg}$	-55~150	°C
Lead Temperature-time	$T_{sol}$	260 (10s)	°C

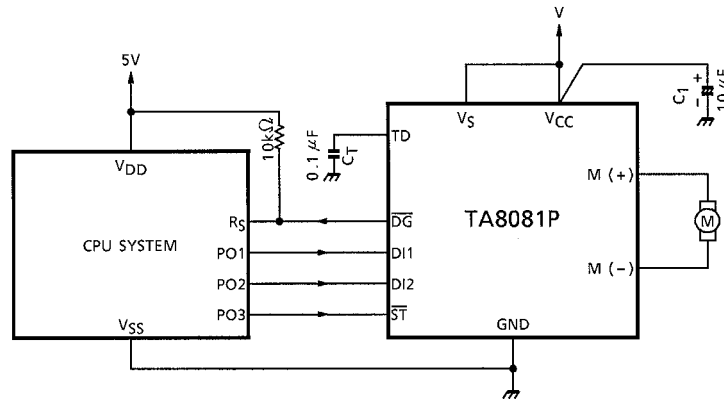
## ELECTRICAL CHARACTERISTICS ( $V_{CC} = 6\sim 16V$ , $T_a = -40\sim 110^\circ C$ )

CHARACTERISTIC	SYMBOL	PIN	TEST CIR-CUIT	TEST CONDITION	MIN	TYP.	MAX	UNIT
Current Consumption 1	$I_{S1}$	$V_S$	—	Stop	—	5	10	mA
	$I_{S2}$		—	Forward / Reverse	—	10	20	
	$I_{S3}$		—	Brake	—	10	20	
Current Consumption 2	$I_{CC1}$	$V_{CC}$	—	Stop	—	1.0	2.0	mA
	$I_{CC2}$		—	Forward / Reverse	—	15	30	
	$I_{CC3}$		—	Brake	—	1.0	2.0	
Input Voltage	$V_{IL}$	DI1 / DI2	—	—	—	—	0.8	V
	$V_{IH}$		—	—	2.0	—	—	
	$V_{IL}$	$\overline{ST}$	—	—	—	—	0.5	
	$V_{IH}$		—	—	2.0	—	—	
Input Current	$I_{IL}$	DI1 / DI2	—	$V_{IN} = 0.4V$	-10	—	10	$\mu A$
	$I_{IH}$		—	$V_{IN} = V_{CC}$	-10	—	10	
	$I_{IL}$	$\overline{ST}$	—	$V_{IN} = 0.4V$	—	—	20	mA
	$I_{IH}$		—	$V_{IN} = V_{CC}$	—	—	2.0	
Output Saturation Voltage	$V_{sat} (total)$	M (+) / M (-)	—	$I_O = 0.5A, T_c = 25^\circ C$	—	1.7	2.4	V
			—	$I_O = 0.5A, T_c = 110^\circ C$	—	1.6	2.3	
Output Leakage Current	$I_{LEAK-U}$	M (+) / M (-)	—	$V_{OUT} = 0V$	—	—	-10	$\mu A$
	$I_{LEAK-L}$		—	$V_{OUT} = V_{CC}$	—	—	10	
Output Voltage	$V_{OL}$	$\overline{DG}$	—	$I_{OL} = 3mA$	—	—	0.5	V
Output Leakage Current	$I_{LEAK}$		—	$V_{OUT} = V_{CC}$	—	—	10	$\mu A$
Diode Forward Voltage	$V_{F-U}$	M (+) / M (-)	—	$I_F = 0.5A$	—	1.5	—	V
	$V_{F-L}$				—	1.5	—	
Over-current Detection	$I_{SD}$	—	—	—	1.0	1.5	2.0	A
Shutdown Temperature	$T_{SD}$	—	—	—	—	150	—	$^\circ C$
Over-voltage Detection	$V_{SD}$	—	—	—	27	30	33	V
Standby Current	$I_S$	$V_{CC}+V_S$	—	$\overline{ST} = 0V$	—	—	100	$\mu A$
Transfer Delay Time	$t_{pLH}$	—	—	—	—	1	10	$\mu s$
	$t_{pHL}$	—	—	—	—	1	10	

Note: The parameter values above are guaranteed in the operating voltage range of 6V to 16V. If the guaranteed range is exceeded in practical use, make sure that the IC operates normally in application.



**EXAMPLE OF APPLICATION CIRCUIT**

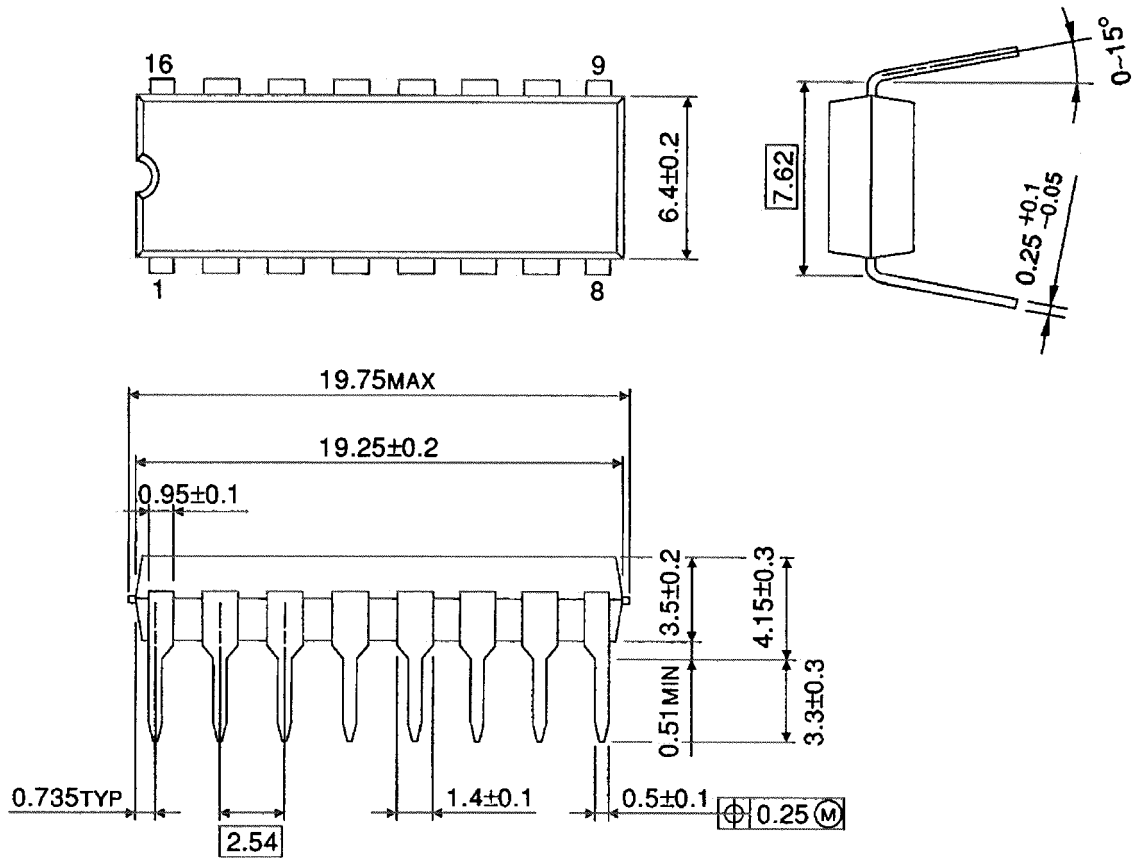


Cautions for Wiring : C<sub>1</sub> is for absorbing disturbance, noise, etc. Connect is as close to the IC as possible.

**Package Dimensions**

DIP16-P-300-2.54A

Unit : mm



Weight: 1.0 g (Typ.)

**RESTRICTIONS ON PRODUCT USE**

000707EAA\_S

- TOSHIBA is continually working to improve the quality and reliability of its products. Nevertheless, semiconductor devices in general can malfunction or fail due to their inherent electrical sensitivity and vulnerability to physical stress. It is the responsibility of the buyer, when utilizing TOSHIBA products, to comply with the standards of safety in making a safe design for the entire system, and to avoid situations in which a malfunction or failure of such TOSHIBA products could cause loss of human life, bodily injury or damage to property.  
In developing your designs, please ensure that TOSHIBA products are used within specified operating ranges as set forth in the most recent TOSHIBA products specifications. Also, please keep in mind the precautions and conditions set forth in the "Handling Guide for Semiconductor Devices," or "TOSHIBA Semiconductor Reliability Handbook" etc..
- The information contained herein is presented only as a guide for the applications of our products. No responsibility is assumed by TOSHIBA CORPORATION for any infringements of intellectual property or other rights of the third parties which may result from its use. No license is granted by implication or otherwise under any intellectual property or other rights of TOSHIBA CORPORATION or others.
- The information contained herein is subject to change without notice.