

# UTC TA8227P LINEAR INTEGRATED CIRCUIT

## LOW FREQUENCY POWER AMPLIFIER

### DESCRIPTION

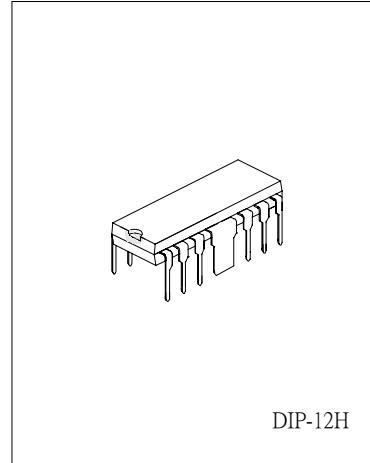
The UTC TA8227P is an audio power IC with built-in two channels developed for portable radio cassette tape recorder with power ON / OFF switch.

Because of the parts reduction and DIP, space merit is remarkable.

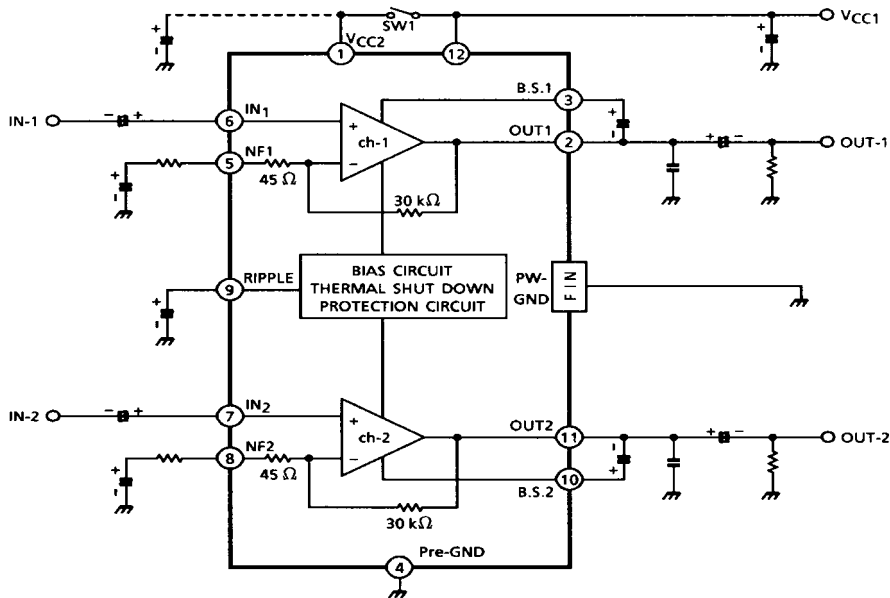
Thermal shut down protection circuit is built in.

### FEATURES

- \*Wide operating supply voltage:  $V_{CC}=5\sim 12V$
- \*Low popping noise at power ON
- \*Best for supply voltage 9V
- \*Output power
  - $P_o=2.5W/CH$  at  $V_{CC}=9V$ ,  $R_L=4\Omega$ ,  $f=1kHz$ ,  $THD=10\%$
  - $P_o=3.0W/CH$  at  $V_{CC}=9V$ ,  $R_L=3\Omega$ ,  $f=1kHz$ ,  $THD=10\%$
- \*Soft Clip
- \*Built-in Thermal shut-down protection circuit
- \*Stand-by Switch



### BLOCK DIAGRAM



# UTC TA8227P LINEAR INTEGRATED CIRCUIT

## APPLICATION INFORMATION AND APPLICATION METHOD

### 1. Adjustment of voltage gain

The voltage gain  $G_v$  is obtained as follows by  $R_1$ ,  $R_2$  and  $R_f$  in Fig.1

$$G_v = 20 \log \frac{R_f + R_1 + R_2}{R_f + R_1}$$

When  $R_f=0\Omega$   $G_v=56.5$  dB (Typ.)

When  $R_f=120\Omega$   $G_v=45$  dB (Typ.)

By increasing  $R_f$ , reduction of  $G_v$  is possible. However, since the feedback increase is liable to produce oscillation, it is recommended to use this at 40dB or over.

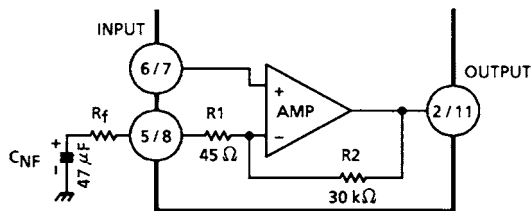


Fig.1

### 2. Thermal shut-down circuit

The thermal shut-down circuit is built in for the purpose of preventing the destruction of IC due to the abnormal temperature rise when the heat radiation is insufficient.

The operation temperature is set at radiation Fin temperature 175°C (Typ.)

At this temperature or over the bias is interrupted to prevent the destruction of IC.

### 3. Input stage

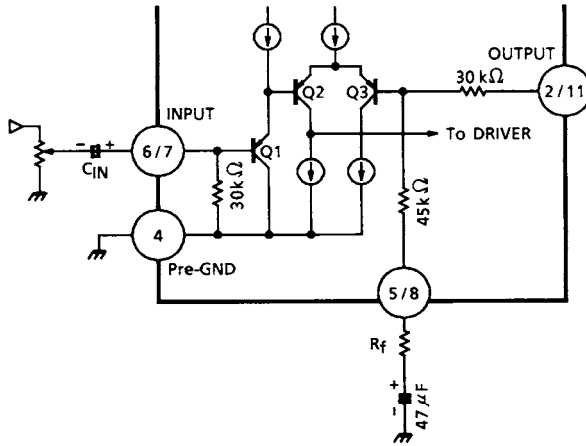
The input circuit of this IC is as shown in fig.2. PNP Tr : Q1 is provided in the input circuit so as to make its usage possible without the input coupling capacitor.

However, at pin 6 and pin 7, max 60mV offset voltage is produced.

Application after checking volume slide noise is recommended.

For cutting the volume slide noise, insert the input capacitor:  $C_{IN}$  in series to interrupt the DC component.

# UTC TA8227P LINEAR INTEGRATED CIRCUIT



#### 4. Oscillation preventive measures

For oscillation preventive capacitor C6 and C7 between the output terminal and GND, it is recommended to use polyester film capacitor having good characteristics for temperature and for high frequency. Since the characteristics of the capacitor is liable to be influenced by the temperature, use this capacitor after the temperature test to check the oscillation allowance.

In addition, as the position of the electrolytic capacitor has a remarkable influence on the oscillation, connect C10 to Vcc at the nearest possible position from power GND.

At using this application with the voltage gain reduced, oscillation is liable to be produced. Apply the capacitor after checking enough for its capacity, type and mounting position.

#### 5. Power ON / OFF switch

There is power ON / OFF switch at Pin1. However, output power is changed by Pin1 supply voltage when Pin1 supply voltage is not same Pin12 supply voltage, after referring to attached date, select Pin1 supply voltage.

#### 6. Input voltage

When the excessive signal is input, turning-up is produced in the clip waveform. The turning-up point is  $V_{in}=300\text{mVrms}$  (Typ.) :  $V_{cc}=9\text{V}$ ,  $R_L=4\Omega$ ,  $f=1\text{kHz}$  : Enough care must be taken for this phenomenon.

# UTC TA8227P LINEAR INTEGRATED CIRCUIT

## ABSOLUTE MAXIMUM RATINGS (Ta=25°C)

| PARAMETER                  | SYMBOL    | VALUE   | UNIT |
|----------------------------|-----------|---------|------|
| Supply Voltage             | Vcc       | 20      | V    |
| Output Current (peak / CH) | Io (peak) | 2.5     | A    |
| Power Dissipation          | Pd        | 4.0     | W    |
| Operating Temperature      | Topr      | -25~75  | °C   |
| Storage Temperature        | Tstg      | -55~150 | °C   |

## ELECTRICAL CHARACTERISTICS

(Ta=25°C, Vcc=9V, RL=4Ω, Rg=600Ω, f=1kHz, unless otherwise specified)

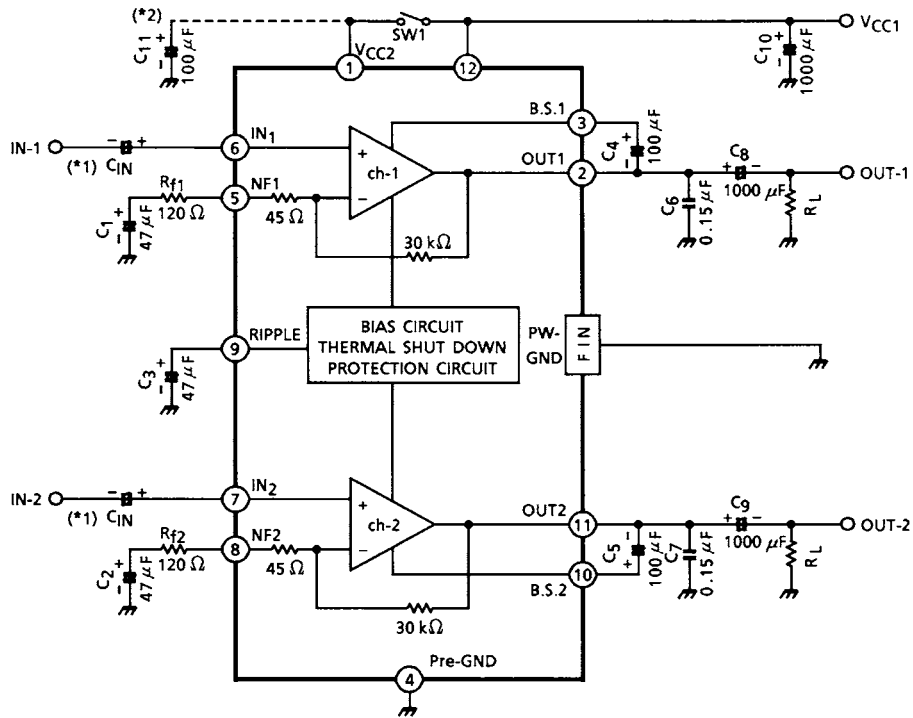
| PARAMETER                 | SYMBOL  | TEST CONDITIONS                 | MIN | TYP  | MAX | UNIT  |
|---------------------------|---------|---------------------------------|-----|------|-----|-------|
| Quiescent Current         | IccQ    | Vin=0                           |     | 21   | 45  | mA    |
| Output Power              | Pout(1) | THD=10%                         | 2.0 | 2.5  |     | W     |
|                           | Pout(2) | THD=10%, RL=3Ω                  |     | 3.0  |     |       |
| Total Harmonic Distortion | THD     | Pout=0.4W/CH                    |     | 0.2  | 1.0 | %     |
| Voltage Gain              | Gv1     | Rf=120Ω, Vout=0.775Vrms (0 dBm) | 43  | 45   | 47  | dB    |
|                           | Gv2     | Rf=0, Vout=0.775Vrms (0 dBm)    |     | 56.5 |     |       |
| Input Impedance           | Rin     |                                 |     | 30   |     | kΩ    |
| Output Noise Voltage      | Vno     | Rg=10kΩ, BW=20Hz~20kHz          |     | 0.3  | 1.0 | mVrms |
| Ripple Rejection Ratio    | R.R.    | Rg=600Ω, fripple=100Hz          |     | -52  |     | dB    |
| Cross Talk                | C.T     | Rg=600Ω, Vout=0.775Vrms (0 dBm) |     | -50  |     | dB    |
| Input Offset Voltage      | V6, V7  |                                 |     | 30   | 60  | mV    |
| Standby Current           | Istb    | Sw1:OFF                         |     | 1    |     | μA    |

## TYP. DC VOLTAGE OF EACH TERMINAL (Vcc=9V, Ta=25°C)

| TERMINAL NO.   | 1   | 2   | 3   | 4   | 5   | 6    | 7    | 8   | 9   | 10  | 11  | 12  |
|----------------|-----|-----|-----|-----|-----|------|------|-----|-----|-----|-----|-----|
| DC VOLTAGE (V) | Vcc | 4.5 | 8.7 | GND | 0.7 | 0.03 | 0.03 | 0.7 | 5.0 | 8.7 | 4.5 | Vcc |

# UTC TA8227P LINEAR INTEGRATED CIRCUIT

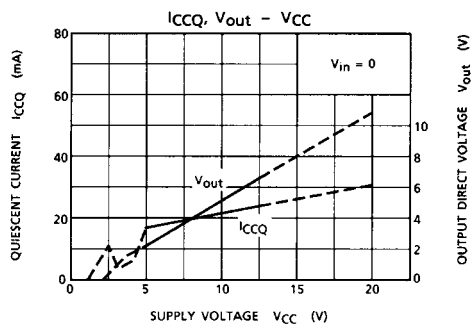
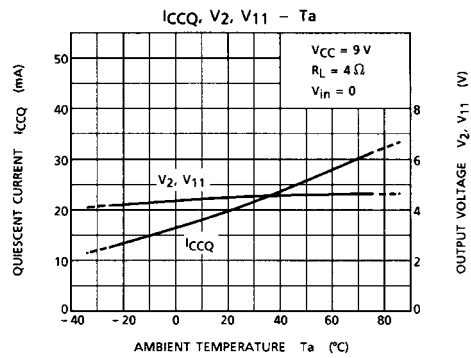
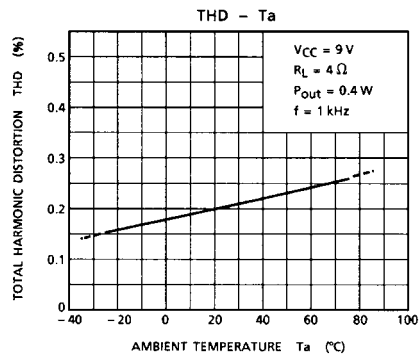
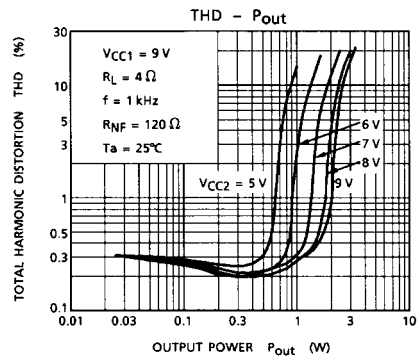
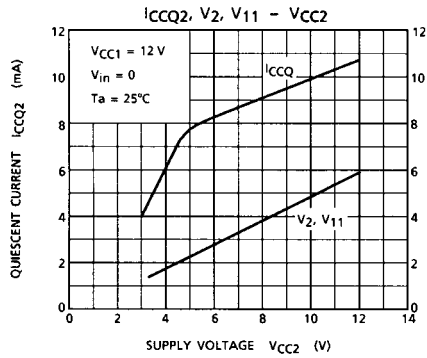
## TEST CIRCUIT



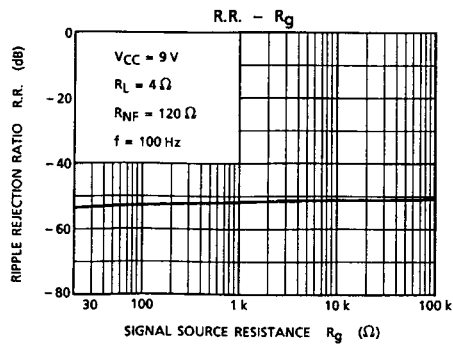
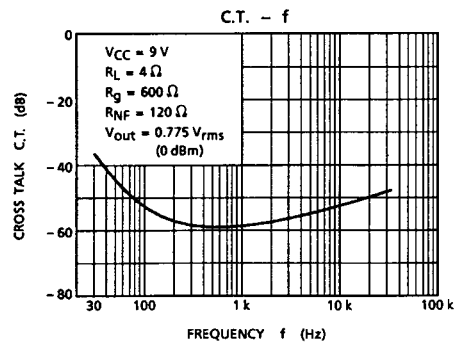
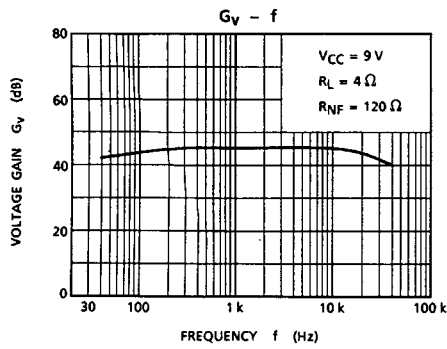
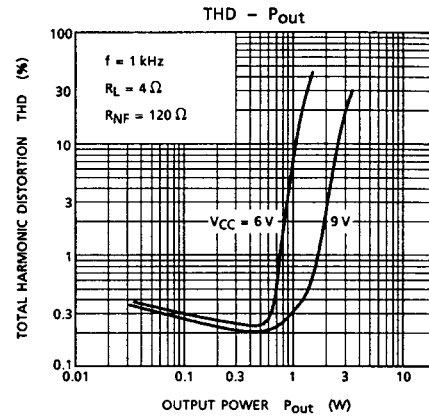
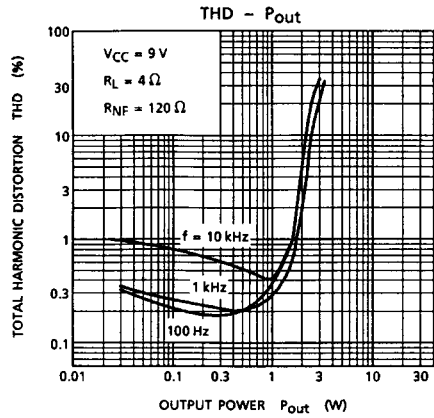
Note 1: This IC can be used without coupling capacitor (C<sub>IN</sub>). If volume slide noise occurred by input offset voltage is undesirable, it needs to use the capacitor (C<sub>IN</sub>).

Note 2: The condenser between the pin4 and the GND (C<sub>11</sub>) is for reducing pop noise when the power ON / OFF switch (SW1) is set to ON / OFF.

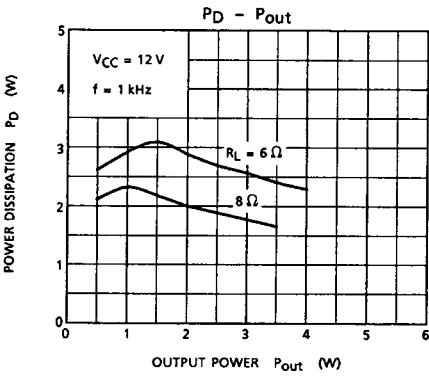
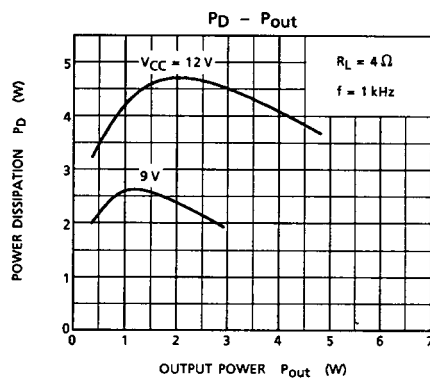
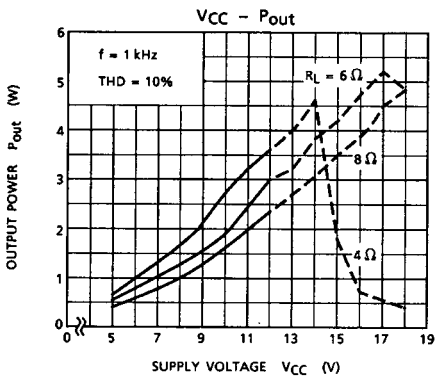
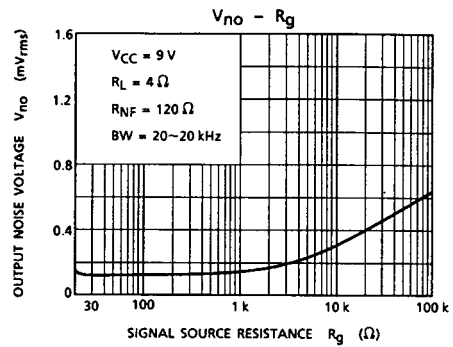
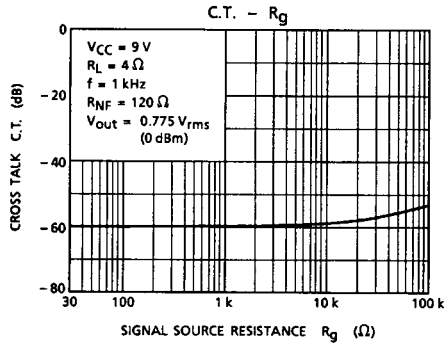
# UTCTA8227P LINEAR INTEGRATED CIRCUIT



# UTC TA8227P LINEAR INTEGRATED CIRCUIT



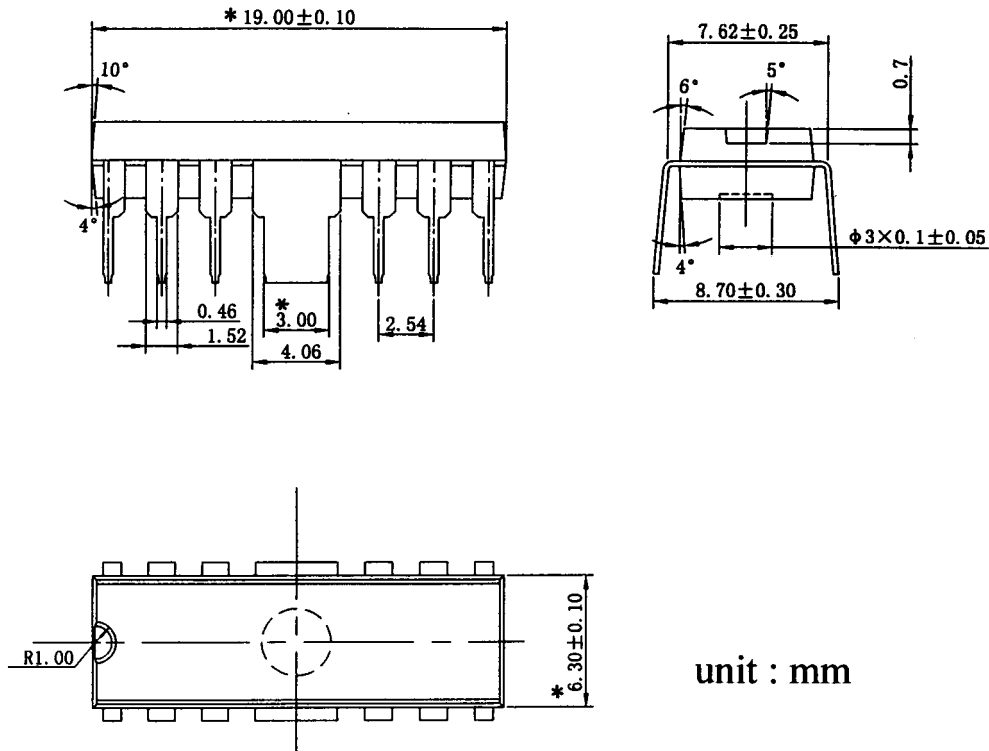
# UTC TA8227P LINEAR INTEGRATED CIRCUIT





# UTC TA8227P LINEAR INTEGRATED CIRCUIT

## PACKAGE DIMENSION



Remark: The "\*" means quality inspection range.

UTC assumes no responsibility for equipment failures that result from using products at values that exceed, even momentarily, rated values (such as maximum ratings, operating condition ranges, or other parameters) listed in products specifications of any and all UTC products described or contained herein. UTC products are not designed for use in life support appliances, devices or systems where malfunction of these products can be reasonably expected to result in personal injury. Reproduction in whole or in part is prohibited without the prior written consent of the copyright owner. The information presented in this document does not form part of any quotation or contract, is believed to be accurate and reliable and may be changed without notice.