

TOSHIBA Bipolar Linear Integrated Circuit Silicon Monolithic

# TA8252H

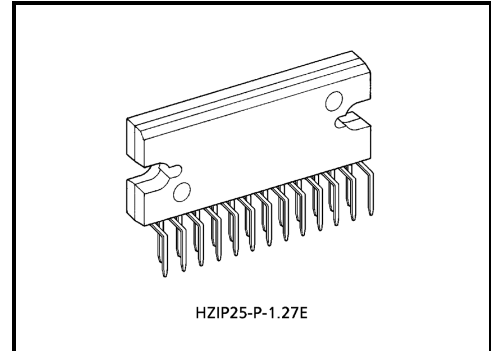
## Max Power 37W BTL × 4ch Audio Power IC

The TA8252H is 4ch BTL audio power amplifier for car audio application.

This IC can generate more high power: P<sub>OUT</sub> MAX = 37W as it is included the pure complementary PNP and NPN transistor output stage.

It is designed low distortion ratio for 4ch BTL audio power amplifier, built-in stand-by function, muting function, clip detector, and diagnosis circuit.

Additionally, the AUX. amplifier is built-in, it can make the beep signal etc. output to 2 channels (out 1 and 4). It contains various kind of protectors for car audio use.

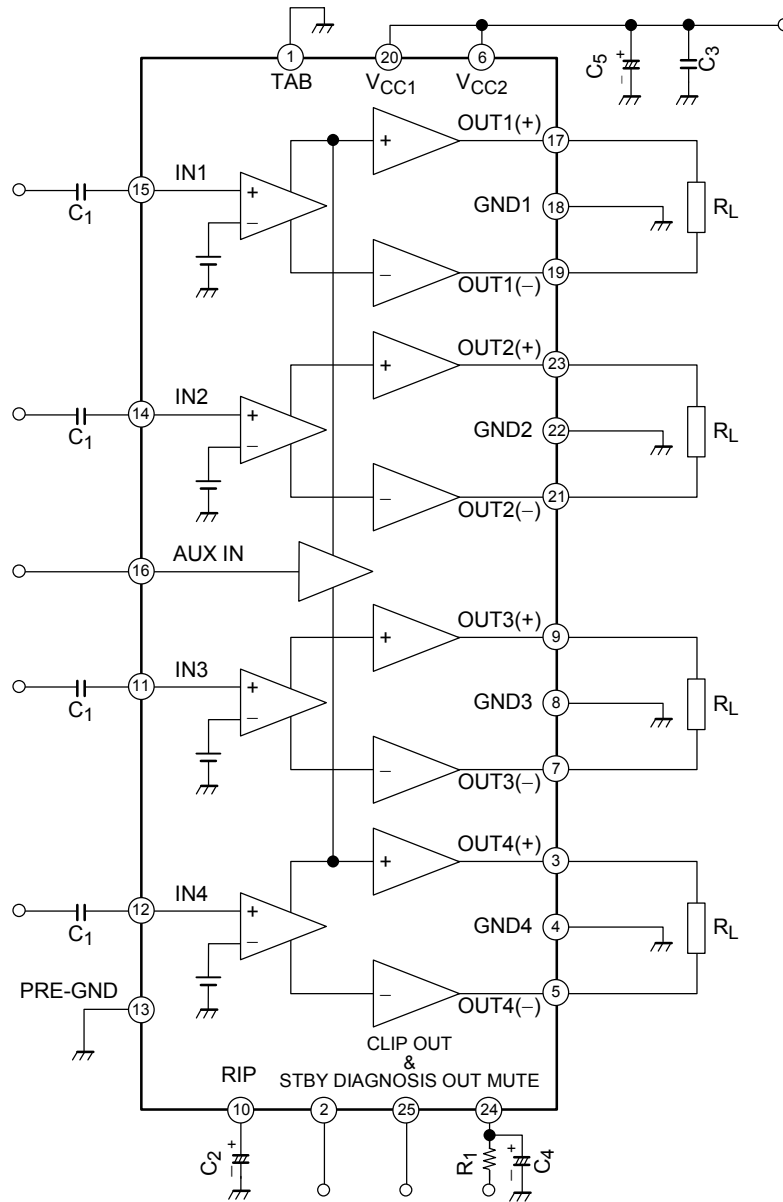


Weight: 9.8g (typ.)

## Features

- High power
  - : P<sub>OUT</sub> MAX (1) = 37W (typ.)  
(V<sub>CC</sub> = 14.4V, f = 1kHz, EIAJ max., R<sub>L</sub> = 4Ω)
  - : P<sub>OUT</sub> MAX (2) = 35W (typ.)  
(V<sub>CC</sub> = 13.7V, f = 1kHz, EIAJ max., R<sub>L</sub> = 4Ω)
  - : P<sub>OUT</sub> (1) = 24W (typ.)  
(V<sub>CC</sub> = 14.4V, f = 1kHz, THD = 10%, R<sub>L</sub> = 4Ω)
  - : P<sub>OUT</sub> (2) = 21W (typ.)  
(V<sub>CC</sub> = 13.2V, f = 1kHz, THD = 10%, R<sub>L</sub> = 4Ω)
- Built-in clip detector & diagnosis circuit. (pin(25))
- Low distortion ratio: THD = 0.02% (typ.)  
(V<sub>CC</sub> = 13.2V, f = 1kHz, P<sub>OUT</sub> = 5W, R<sub>L</sub> = 4Ω)
- Low noise: V<sub>NO</sub> = 0.10mV<sub>rms</sub> (typ.)  
(V<sub>CC</sub> = 13.2V, R<sub>g</sub> = 0Ω, G<sub>v</sub> = 26dB, BW = 20~20kHz)
- Built-in stand-by switch function (pin(2))
- Built-in muting function (pin(24))
- Built-in AUX. amplifier from single input (pin(16)) to 2 channels output; out1 and 4
- Built-in various protection circuit
  - : Thermal shut down, Over voltage, Out to GND, Out to V<sub>CC</sub>, Out to Out short.
- Operating supply voltage: V<sub>CC</sub> (opr) = 9~18V

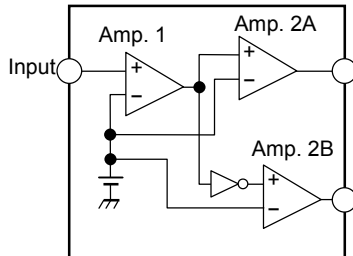
**Block Diagram**



**Caution And Application Method  
(description is made only on the single channel.)**

1. Voltage gain adjustment

This IC has no NF (negative feedback) terminals. Therefore, the voltage gain can't adjusted, but it makes the device a space and total costs saver.



(Fig.1) Block diagram

The voltage gain of amp.1:  $G_{V1} = 0\text{dB}$

The voltage gain of amp.2A, B:  $G_{V2} = 20\text{dB}$

The voltage gain of BTL connection:  $G_V (\text{BTL}) = 6\text{dB}$

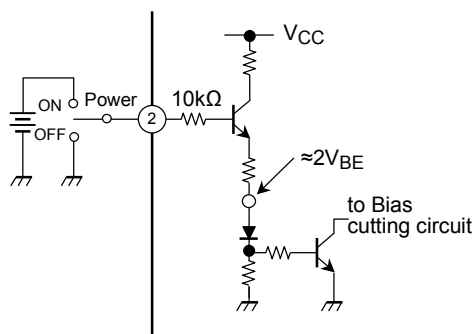
Therefore, the total voltage gain is decided by expression below.

$$G_V = G_{V1} + G_{V2} + G_V (\text{BTL}) = 0 + 20 + 6 = 26 \text{ dB}$$

2. Stand-by SW function (pin(2))

By means of controlling pin(2) (stand-by terminal) to high and low, the power supply can be set to on and off.

The threshold voltage of pin(2) is set at about  $3V_{BE}$  (typ.), and the power supply current is about  $2\mu\text{A}$  (typ.) at the stand-by state.



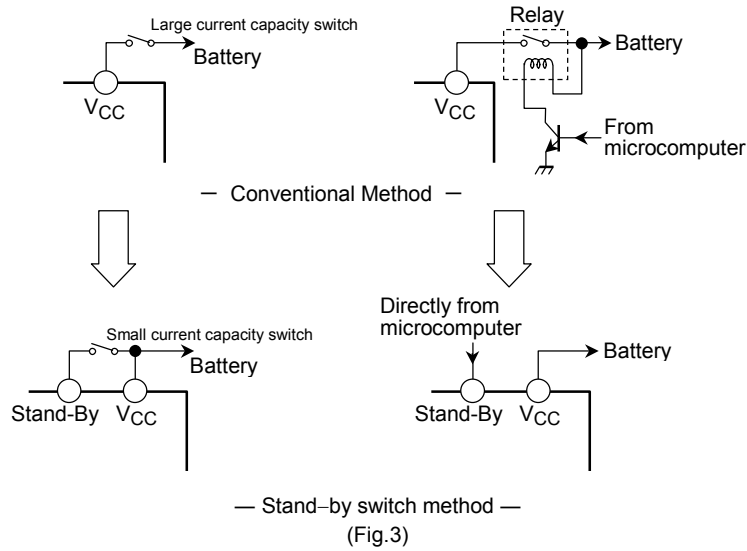
(Fig.2) With pin(2) set to High,  
Power is turned ON

Control voltage of pin(2):  $V_{(SB)}$

| Stand-by | Power | $V_{(SB)}$ (V) |
|----------|-------|----------------|
| On       | Off   | 0~1.5          |
| Off      | On    | 3~6            |

Adjustage of stand-by SW

- (1) Since  $V_{CC}$  can directly be controlled to on or off by the microcomputer, the switching relay can be omitted.
- (2) Since the control current is microscopic, the switching relay of small current capacity is satisfactory for switching



3. Muting function (pin(24))

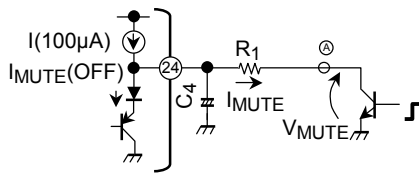
By means of controlling pin(24) less than 0.5V, it can make the audio muting condition.

The muting time constant is decided by  $R_1$  and  $C_4$  and these parts is related the pop noise at power on / off.

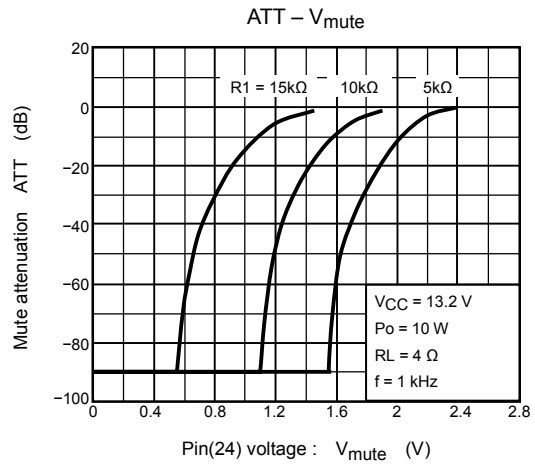
The series resistance;  $R_1$  must be set up less than  $15k\Omega$ , we recommend  $10k\Omega$ .

The muting function have to be controlled by a transistor, FET and  $\mu$ -COM port which has  $I_{MUTE} > 250\mu A$  ability.

Terminal (24) must not be pulled up and it shall be controlled by open / low.



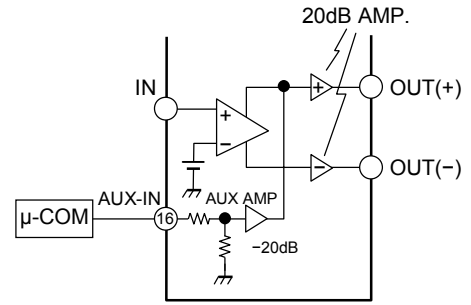
(Fig.4) Muting function



(Fig.5) Mute attenuation- $V_{mute}$  (V)

4.AUX. input (pin(16))

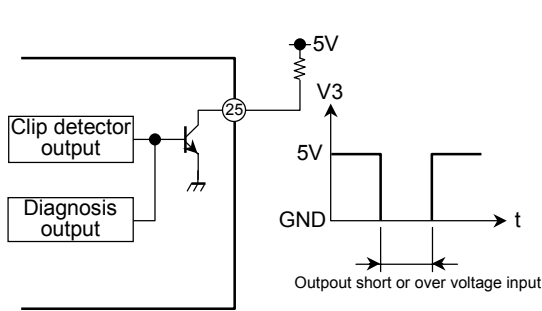
The pin(16) is for input terminal of AUX. amplifier.  
 The total gain is 0dB by using of AUX. amplifier.  
 Therefore, the  $\mu$ -COM can directly drive the AUX. amplifier.  
 Beep sound or voice synthesizer signal can be input to pin(16) directly.



(Fig.6) AUX input

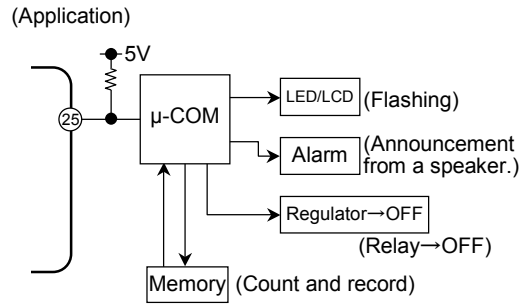
5. Diagnosis output (pin(25))

The diagnosis output terminal of pin(25) has open collector output structure on clip as shown in Fig.7.  
 In unusual case that output terminal of power amp. is condition of output to VCC or output to GND short and over voltage input mode, it is possible to protect all the system of apparatus as well as power IC protection.  
 In case of being unused this function, use this IC as open-connection on pin(25).



(Fig.7)

Pin(25): Open collector output (active low)



(Fig.8)

6. Output clip detection function (pin(25))

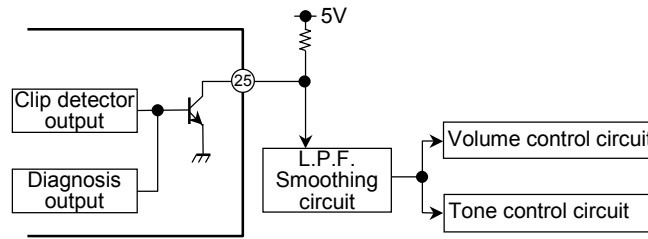
The output clip detection terminal of pin(25) has the open collector output structure on chip as shown in Fig.9.

In case that the output waveform is clipping, the clip detection circuit is operated and NPN tr. is turned on.

It is possible to improve the audio quality with controlling the volume, tone control circuit through L.P.F. smoothing circuit as shown in Fig.9.

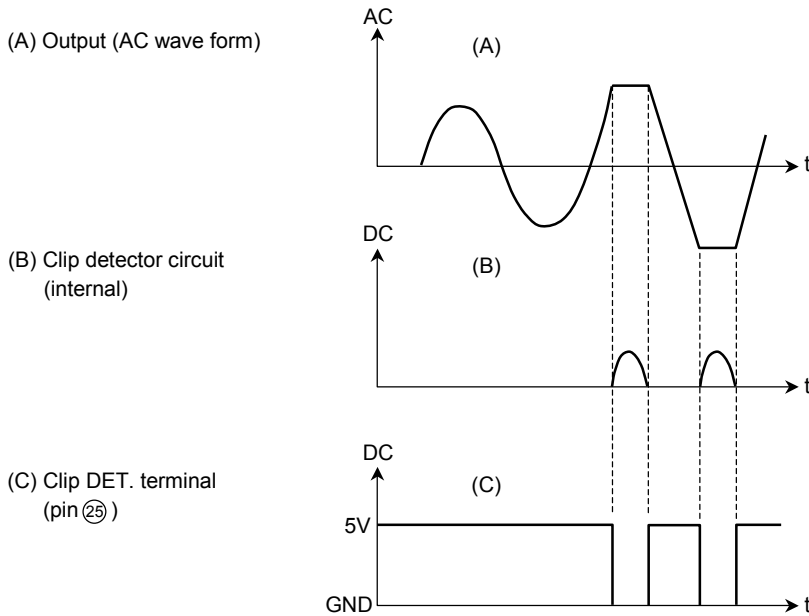
In case of being unused this function, use this IC as open connection on pin(25).

(Application)



Pin ②⑤ : Open collector output (active low)

(Fig.9)



## 7. Cross talk

The cross talk characteristics of the IC is not good between out1 and 2, out3 and 4.

So we recommend to use by below method.

|         |                |
|---------|----------------|
| Out1, 2 | L-ch (or R-ch) |
| Out3, 4 | R-ch (or L-ch) |

And, please refer to below table in case of applying the AUX. in because it is out to out1 and 4.

ex) In case of the signal from AUX. in to front speakers.

|      |       |                |          |
|------|-------|----------------|----------|
| Out1 | Front | L-ch (or R-ch) | AUX. out |
| Out2 | Rear  |                | —        |
| Out3 | Rear  | R-ch (or L-ch) | —        |
| Out4 | Front |                | AUX. out |

## Maximum Rating (Ta = 25°C)

| Characteristic             | Symbol                  | Rating  | Unit |
|----------------------------|-------------------------|---------|------|
| Peak supply voltage (0.2s) | V <sub>CC (surge)</sub> | 50      | V    |
| DC supply voltage          | V <sub>CC (DC)</sub>    | 25      | V    |
| Operating supply voltage   | V <sub>CC (opr)</sub>   | 18      | V    |
| Output current (peak)      | I <sub>O (peak)</sub>   | 9       | A    |
| Power dissipation          | P <sub>D (*)</sub>      | 250     | W    |
| Operating temperature      | T <sub>opr</sub>        | -40~85  | °C   |
| Storage temperature        | T <sub>stg</sub>        | -55~150 | °C   |

(\*): Package thermal resistance  $\theta_{j-T} = 0.5^{\circ}\text{C} / \text{W}$  (typ.)  
 (Ta = 25°C, with infinite heat sink)

## Electrical Characteristics

(unless otherwise specified V<sub>CC</sub> = 13.2V, f = 1kHz, R<sub>L</sub> = 4Ω, Ta = 25°C)

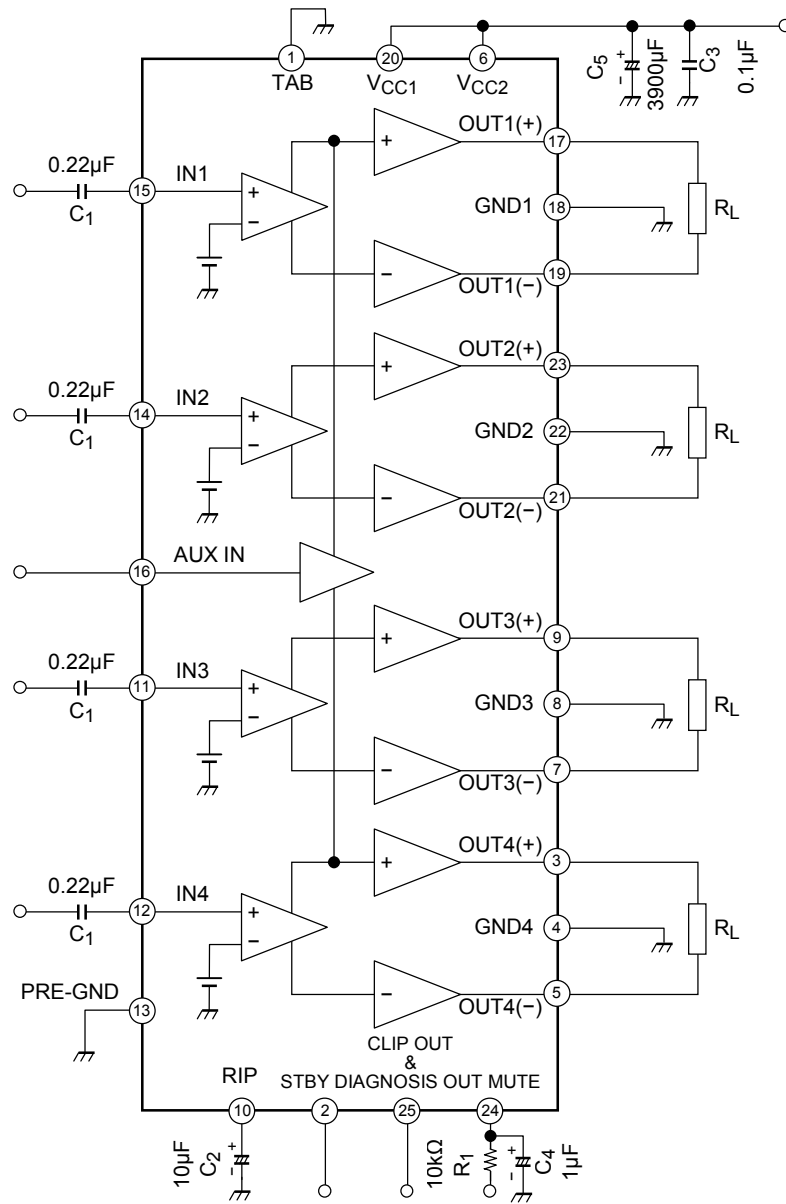
| Characteristic            | Symbol                   | Test Cir-cuit | Condition  | Min. | Typ. | Max. | Unit              |
|---------------------------|--------------------------|---------------|--|------|------|------|-------------------|
| Quiescent current         | I <sub>CCQ</sub>         | —             | V <sub>IN</sub> = 0  | —    | 200  | 400  | mA                |
| Output power              | P <sub>OUT MAX (1)</sub> | —             | V <sub>CC</sub> = 14.4V, max power   | —    | 37   | —    | W                 |
|                           | P <sub>OUT MAX (2)</sub> | —             | V <sub>CC</sub> = 13.7V, max power   | —    | 35   | —    |                   |
|                           | P <sub>OUT (1)</sub>     | —             | V <sub>CC</sub> = 14.4V, THD = 10%   | —    | 24   | —    |                   |
|                           | P <sub>OUT (2)</sub>     | —             | THD = 10%  | 19   | 21   | —    |                   |
| Total harmonic distortion | THD                      | —             | P <sub>OUT</sub> = 3W  | —    | 0.02 | 0.2  | %                 |
| Voltage gain              | G <sub>V</sub>           | —             | V <sub>OUT</sub> = 0.775V <sub>rms</sub> (0dBm)  | 24   | 26   | 28   | dB                |
| Voltage gain ratio        | ΔG <sub>V</sub>          | —             | V <sub>OUT</sub> = 0.775V <sub>rms</sub> (0dBm)  | -1.0 | 0    | 1.0  | dB                |
| Output noise voltage      | V <sub>NO (1)</sub>      | —             | R <sub>g</sub> = 0Ω, DIN45405  | —    | 0.12 | —    | mV <sub>rms</sub> |
|                           | V <sub>NO (2)</sub>      | —             | R <sub>g</sub> = 0Ω,<br>BW = 20Hz~20kHz  | —    | 0.10 | 0.35 | mV <sub>rms</sub> |
| Ripple rejection ratio    | R.R.                     | —             | f <sub>rip</sub> = 100Hz, R <sub>g</sub> = 620Ω<br>V <sub>rip</sub> = 0.775V <sub>rms</sub> (0dBm) | 40   | 50   | —    | dB                |
| Cross talk                | C.T.                     | —             | R <sub>g</sub> = 620Ω,<br>V <sub>OUT</sub> = 0.775V <sub>rms</sub> (0dBm)                          | —    | 65   | —    | dB                |
| Output offset voltage     | V <sub>OFFSET</sub>      | —             | —  | -100 | 0    | +100 | mV                |
| Input resistance          | R <sub>IN</sub>          | —             | —  | —    | 90   | —    | kΩ                |
| Stand-by current          | I <sub>SB</sub>          | —             | Stand-by condition   | —    | 2    | 10   | μA                |
| Stand-by control voltage  | V <sub>SB H</sub>        | —             | Power: On  | 3.0  | —    | 6.0  | V                 |
|                           | V <sub>SB L</sub>        | —             | Power: Off   | 0    | —    | 1.5  |                   |
| Mute control voltage (*)  | V <sub>M H</sub>         | —             | Mute: Off  | Open |      |      | V                 |
|                           | V <sub>M L</sub>         | —             | Mute: On, R <sub>1</sub> = 10kΩ  | 0    | —    | 0.5  |                   |
| Mute attenuation          | ATT M                    | —             | Mute: On<br>V <sub>OUT</sub> = 7.75V <sub>rms</sub> (20dBm)<br>at mute: Off.                       | 80   | 90   | —    | dB                |

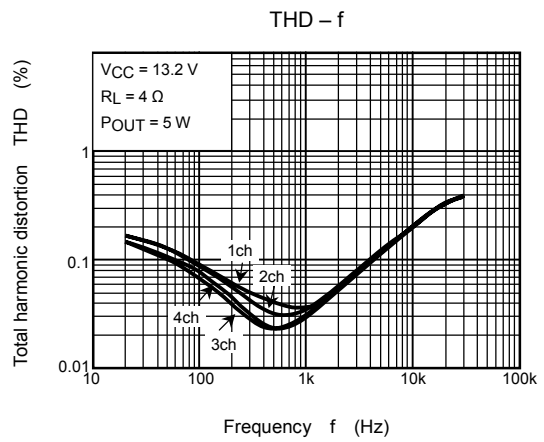
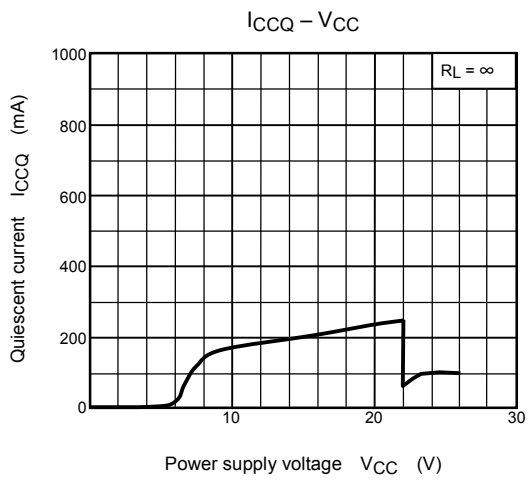
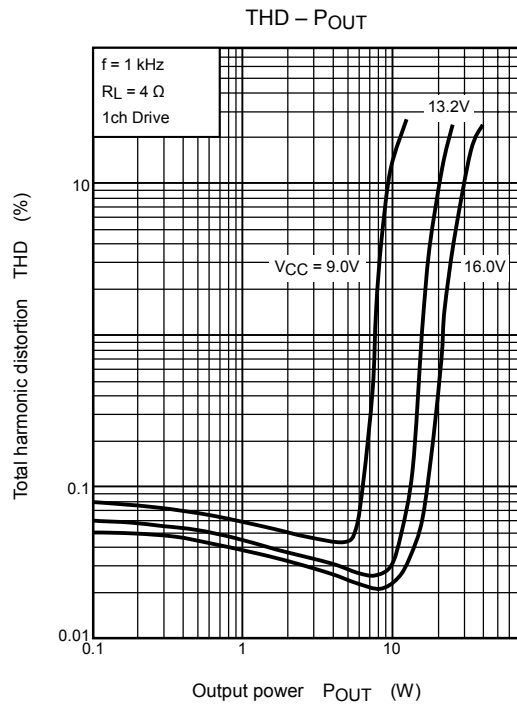
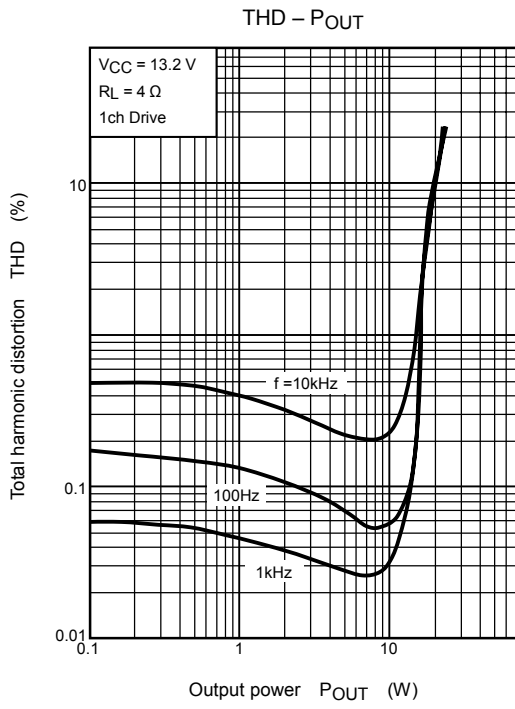
(\*): Muting function have to be controlled by open and low logic, which logic is a transistor, FET and μ-COM port of I<sub>MUTE</sub> > 250μA ability.

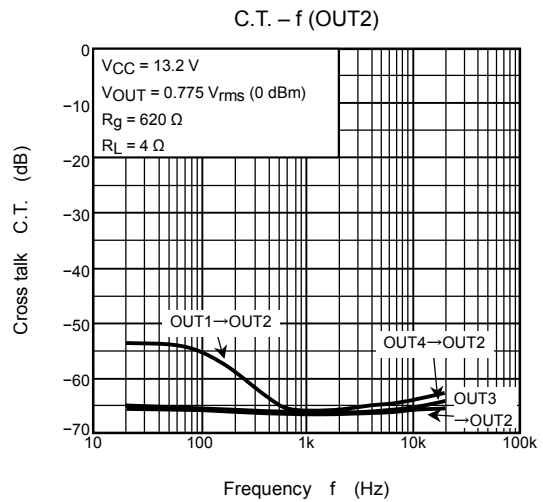
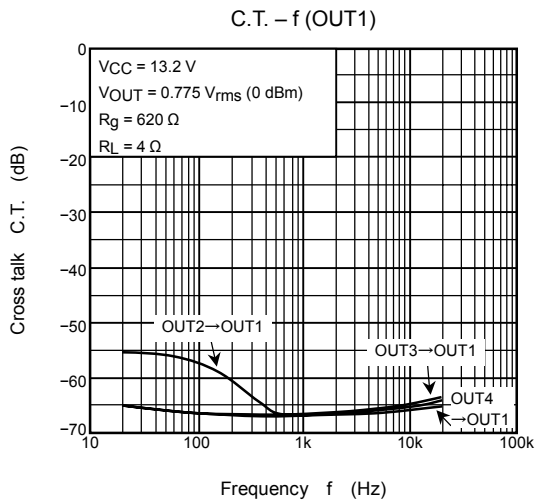
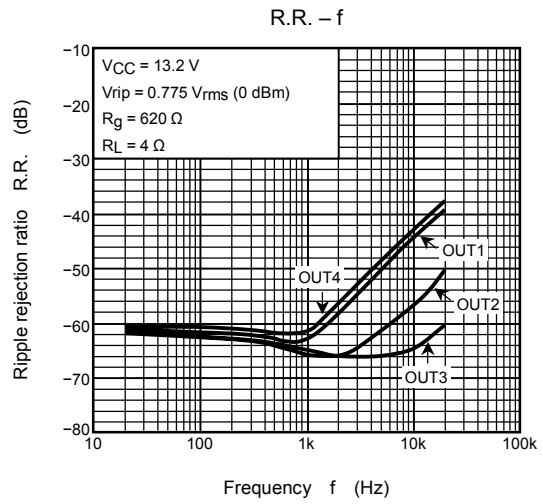
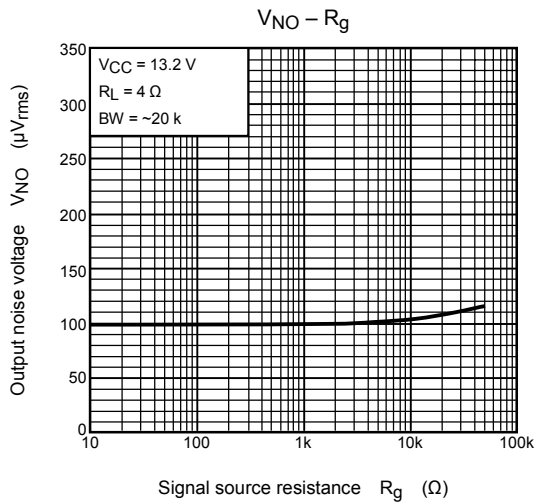
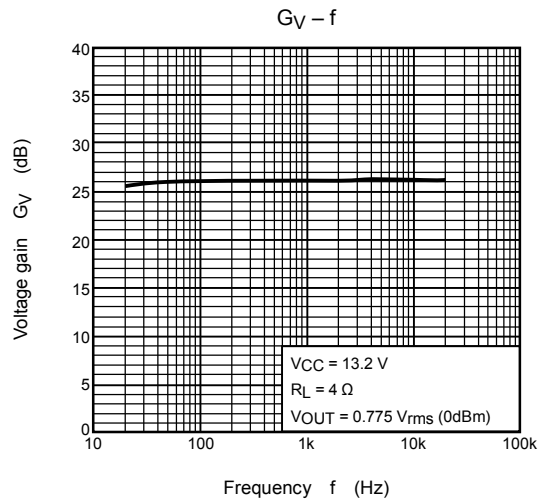
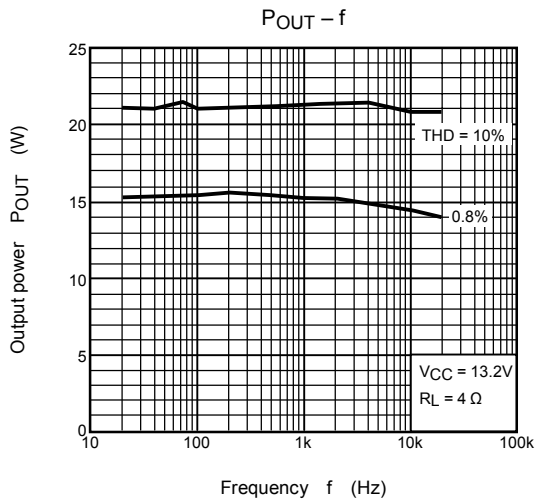
This means that the mute control terminal: Pin(24) must not be pulled-up.

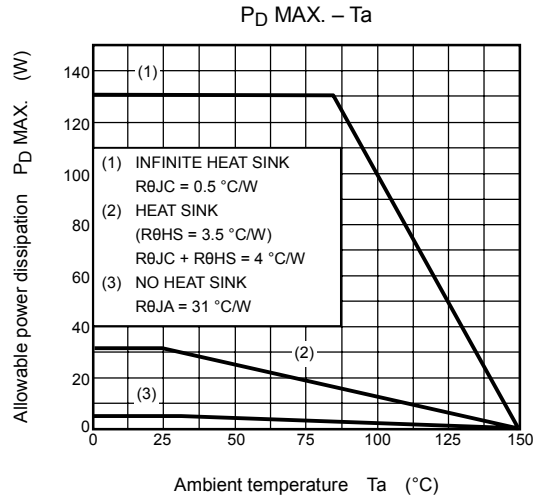
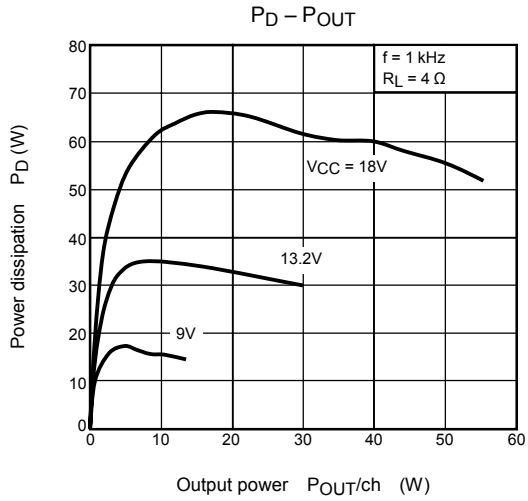
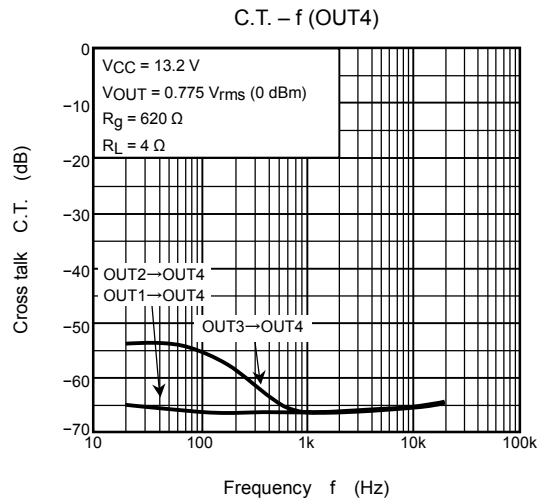
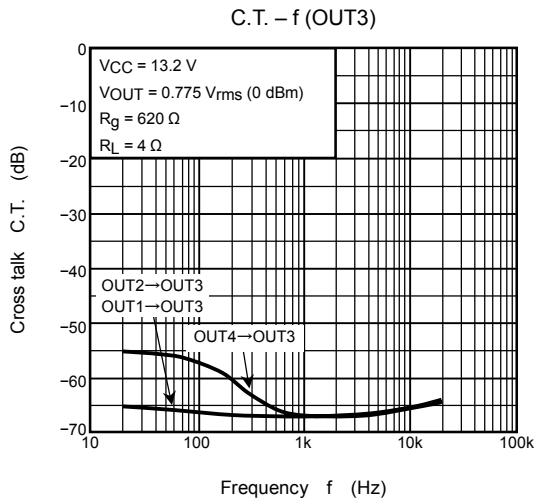


## Test Circuit





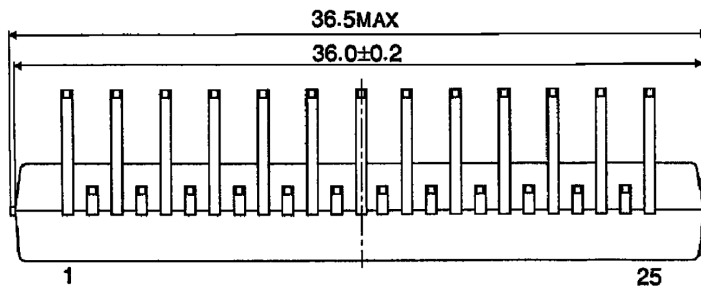
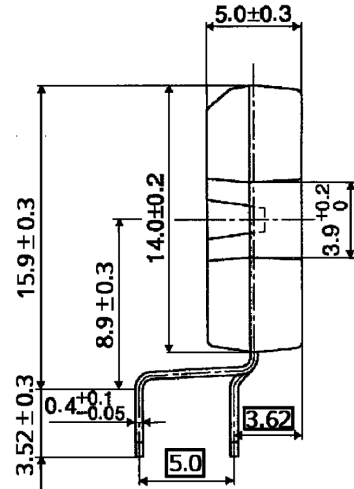
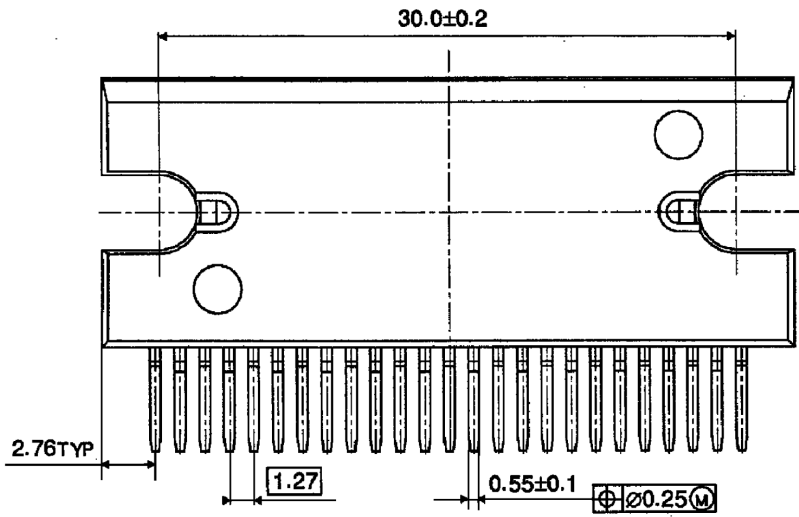




**Package Dimensions**

HZIP25-P-1.27E

UNIT : mm



Weight: 9.8g (typ.)

**RESTRICTIONS ON PRODUCT USE**

000707EBF

- TOSHIBA is continually working to improve the quality and reliability of its products. Nevertheless, semiconductor devices in general can malfunction or fail due to their inherent electrical sensitivity and vulnerability to physical stress. It is the responsibility of the buyer, when utilizing TOSHIBA products, to comply with the standards of safety in making a safe design for the entire system, and to avoid situations in which a malfunction or failure of such TOSHIBA products could cause loss of human life, bodily injury or damage to property.  
In developing your designs, please ensure that TOSHIBA products are used within specified operating ranges as set forth in the most recent TOSHIBA products specifications. Also, please keep in mind the precautions and conditions set forth in the "Handling Guide for Semiconductor Devices," or "TOSHIBA Semiconductor Reliability Handbook" etc..
- The TOSHIBA products listed in this document are intended for usage in general electronics applications (computer, personal equipment, office equipment, measuring equipment, industrial robotics, domestic appliances, etc.). These TOSHIBA products are neither intended nor warranted for usage in equipment that requires extraordinarily high quality and/or reliability or a malfunction or failure of which may cause loss of human life or bodily injury ("Unintended Usage"). Unintended Usage include atomic energy control instruments, airplane or spaceship instruments, transportation instruments, traffic signal instruments, combustion control instruments, medical instruments, all types of safety devices, etc.. Unintended Usage of TOSHIBA products listed in this document shall be made at the customer's own risk.
- This product generates heat during normal operation. However, substandard performance or malfunction may cause the product and its peripherals to reach abnormally high temperatures.  
The product is often the final stage (the external output stage) of a circuit. Substandard performance or malfunction of the destination device to which the circuit supplies output may cause damage to the circuit or to the product.
- The products described in this document are subject to the foreign exchange and foreign trade laws.
- The information contained herein is presented only as a guide for the applications of our products. No responsibility is assumed by TOSHIBA CORPORATION for any infringements of intellectual property or other rights of the third parties which may result from its use. No license is granted by implication or otherwise under any intellectual property or other rights of TOSHIBA CORPORATION or others.
- The information contained herein is subject to change without notice.