

TOSHIBA BIPOLAR LINEAR INTEGRATED CIRCUIT SILICON MONOLITHIC

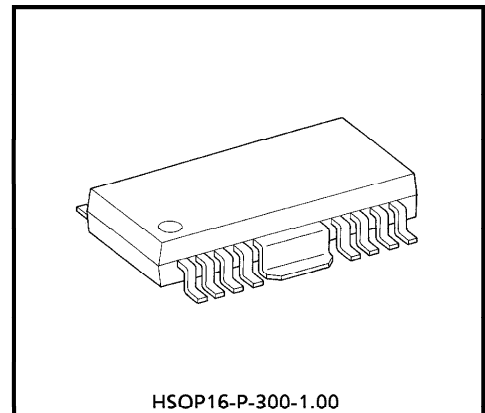
# TA8430AF

## STEPPING MOTOR DRIVER IC

The TA8430AF is 2 Phase Bipolar Stepping Motor Driver IC designed especially for low operating voltage use FDD and other portable equipments.

### FEATURES

- 2 Phase Bipolar Stepping Motor Driver
- Low Voltage Use :  $V_{CC\text{ opr}} = 4V$  (Min.)
- Power Save and Stand-by Mode available  
 $I_{CC\text{ stand-by}} \leq 100\mu A$
- Built-in Punch Through Current Restriction Circuit
- 1, 2 and 1-2 Phase Excitation Drive available
- C-MOS Compatible Inputs (INA, INB, PS, ST)
- Output Current up to 400mA (AVE) and 600mA (PEAK)
- Sealed in PFP 16 SM Package
- HEAT SINK is connected with GND with low impedance.



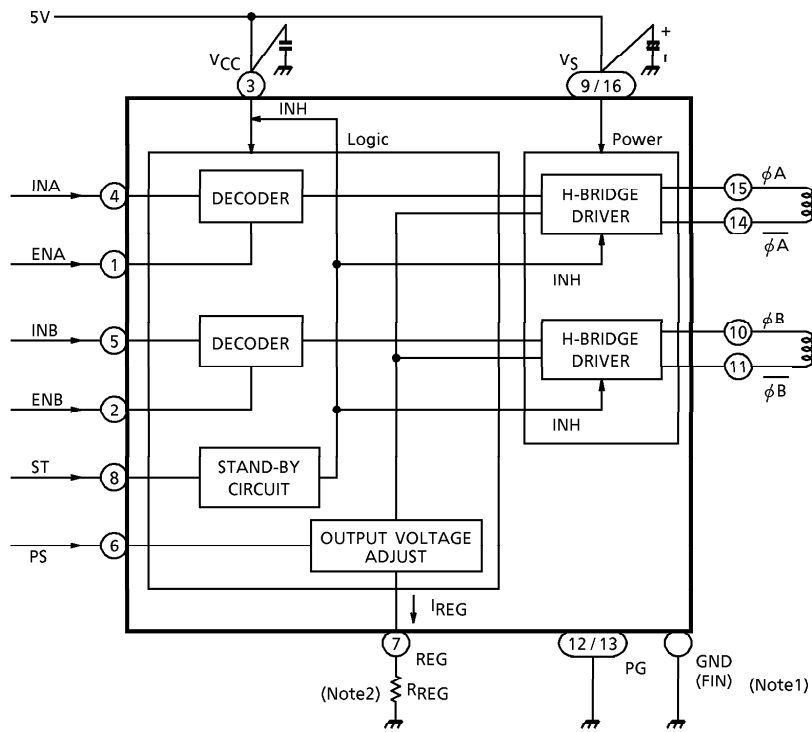
HSOP16-P-300-1.00

Weight : 0.50g (Typ.)

961001EBA1

- TOSHIBA is continually working to improve the quality and the reliability of its products. Nevertheless, semiconductor devices in general can malfunction or fail due to their inherent electrical sensitivity and vulnerability to physical stress. It is the responsibility of the buyer, when utilizing TOSHIBA products, to observe standards of safety, and to avoid situations in which a malfunction or failure of a TOSHIBA product could cause loss of human life, bodily injury or damage to property. In developing your designs, please ensure that TOSHIBA products are used within specified operating ranges as set forth in the most recent products specifications. Also, please keep in mind the precautions and conditions set forth in the TOSHIBA Semiconductor Reliability Handbook.
- The products described in this document are subject to foreign exchange and foreign trade control laws.
- The information contained herein is presented only as a guide for the applications of our products. No responsibility is assumed by TOSHIBA CORPORATION for any infringements of intellectual property or other rights of the third parties which may result from its use. No license is granted by implication or otherwise under any intellectual property or other rights of TOSHIBA CORPORATION or others.
- The information contained herein is subject to change without notice.

BLOCK DIAGRAM



- (Note 1) GND terminal of 12/13 connect to FIN.
- (Note 2) Output Voltages, appeared at φ<sub>A</sub>, φ̄<sub>A</sub>, φ<sub>B</sub> and φ̄<sub>B</sub>, are adjusted by R<sub>reg</sub> when Power Save function is selected.
- (Note 3) Utmost care is necessary in the design of the output line, V<sub>CC</sub>, V<sub>S</sub> and GND line since IC may be destroyed due to short-circuit between outputs, air contamination fault, or fault by improper grounding.

PIN FUNCTION

PIN No.	SYMBOL	FUNCTION
1	ENA	A channel enable
2	ENB	B channel enable
3	V <sub>CC</sub>	Supply voltage
4	INA	A channel reciprocal switching
5	INB	B channel reciprocal switching
6	PS	Energy-saving signal input
7	REG	Output voltage setting
8	ST	Stand-by signal input
9	V <sub>S</sub>	Supply voltage
10	φ <sub>B</sub>	B output
11	φ̄ <sub>B</sub>	B̄ output
12	PG	Power supply GND connection
13	PG	Power supply GND connection
14	φ̄ <sub>A</sub>	Ā output
15	φ <sub>A</sub>	A output
16	V <sub>S</sub>	Supply voltage
FIN	GND	GND connection

FUNCTION

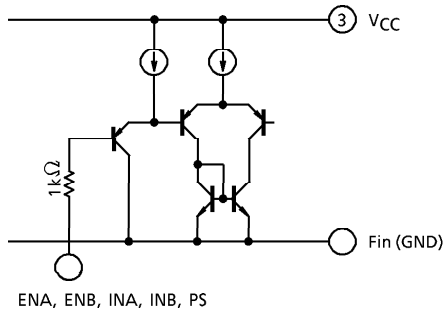
INPUT				OUTPUT		
ST	EN	PS	IN	$\phi$	$\overline{\phi}$	UPPER SIDE SATURATION VOLTAGE
H	H	L	L	L	H	$V_S - V_{CE(SAT)} U$
H	H	L	H	H	L	$V_S - V_{CE(SAT)} U$
H	H	H	L	L	H	$V_{REG}$ (Note)
H	H	H	H	H	L	$V_{REG}$ (Note)

(Note)  $V_{REG}$  is a voltage appeared at PIN⑦ and its value becomes approximately equal to  $V_{OUT}$  in power operation period.

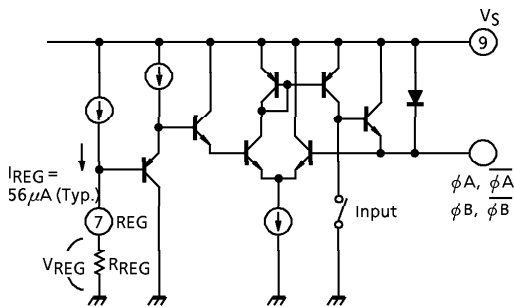
ST	ENA	ENB	$\phi A, \overline{\phi A}$	$\phi B, \overline{\phi B}$	MODE
H	L	H	$\infty$	ENABLE	OPERATION
H	H	L	ENABLE	$\infty$	OPERATION
H	H	H	ENABLE	ENABLE	OPERATION
L	X	X	$\infty$	$\infty$	STAND-BY

X : Don't Care  
 $\infty$  : High Impedance

INPUT STEP CIRCUIT DIAGRAM



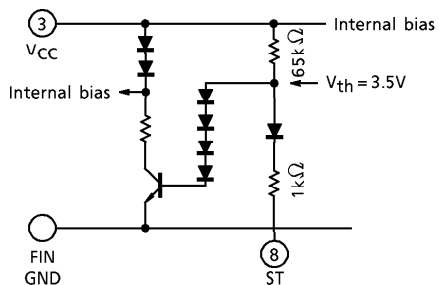
$V_{REG}$  OUTPUT CIRCUIT DIAGRAM



$V_{REG}$  output voltage can be selected with  $R_{REG}$  exterior resistance.  
 If  $V_{REG}$  is not used (as in the case of double-phase magnetization), use pin⑦ in the open position.  
 (Do not connect to  $V_{CC}$  or GND pins.)  
 Use the following formula to obtain the output voltage.

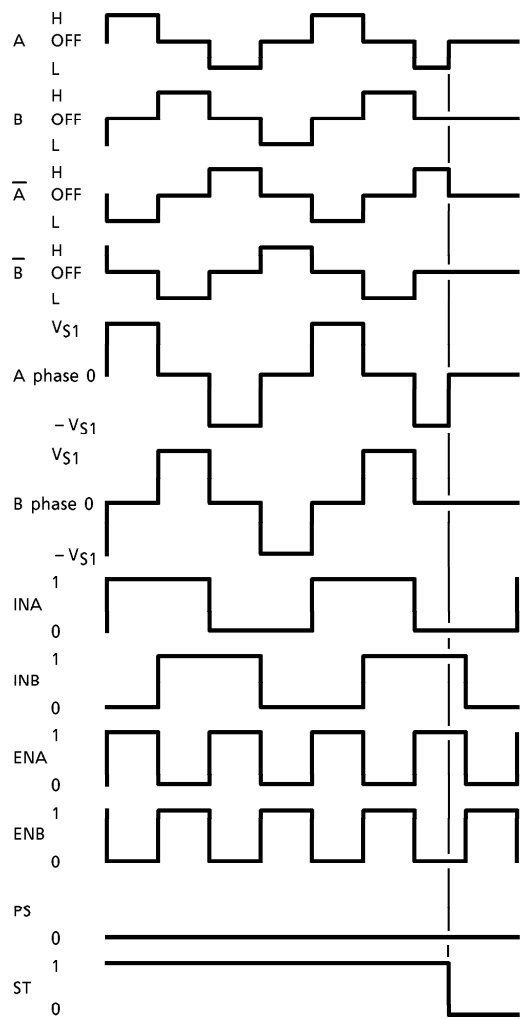
$$V_{OUT} \cong V_{REG} \cong R_{REG} \times 56 \times 10^{-6}$$

STAND-BY CIRCUIT DIAGRAM



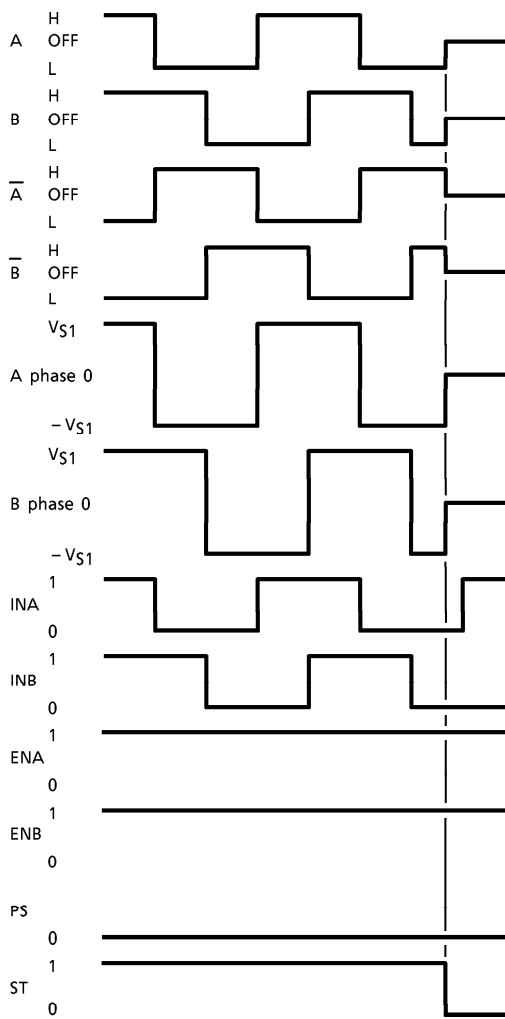
TIMING CHART

Single-phase magnetization



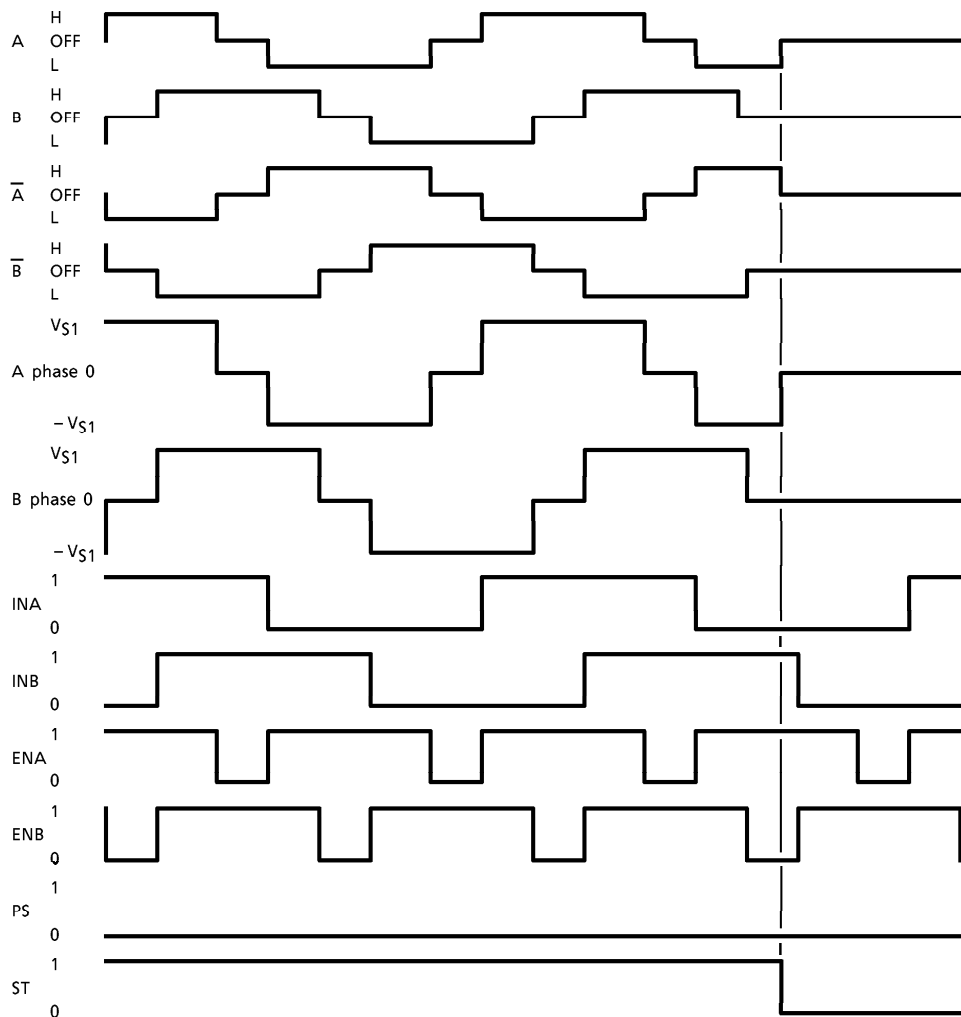
\*  $V_{S1} = V_S - (V_{SAT U} + V_{SAT L})$

Double-phase magnetization



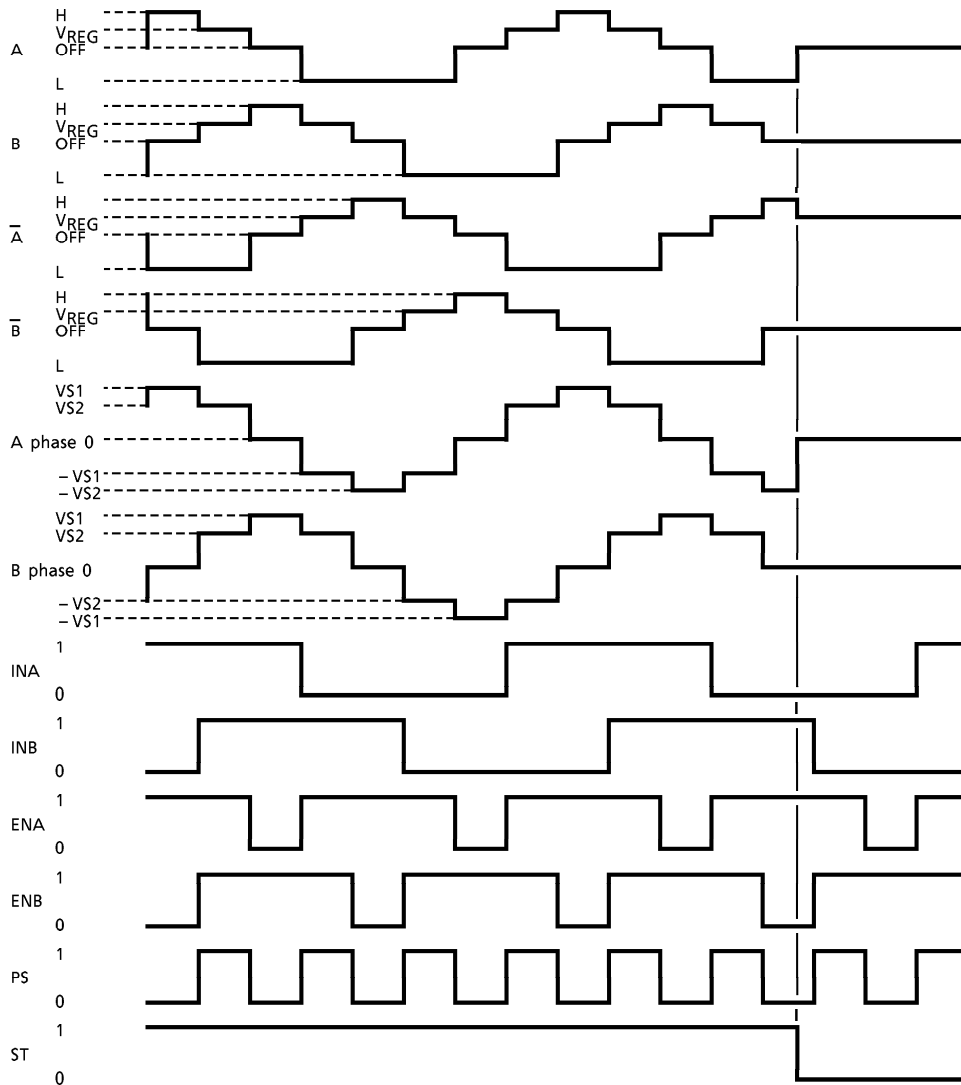
\*  $V_{S1} = V_S - (V_{SAT U} + V_{SAT L})$

Single- /double-phase magnetization



\*  $V_{S1} = V_S - (V_{SAT U} + V_{SAT L})$

Single- /double-phase magnetization (with energy-saving function)



$$VS1 = VS - (VSAT U + VSAT L)$$

$$VS2 = VREG - VSAT L$$

**MAXIMUM RATINGS** (Ta = 25°C)

CHARACTERISTIC	SYMBOL	RATING	UNIT
Supply Voltage	V <sub>CC</sub>	8.0	V
	V <sub>S</sub>	8.0	
Output Current	I <sub>O</sub> (MAX.)	± 600	mA
	I <sub>O</sub> (AVE.)	± 400	
Input Voltage	V <sub>IN</sub> , V <sub>PS</sub> V <sub>ST</sub> , V <sub>EN</sub>	GND - 0.4~V <sub>CC</sub> + 0.4	V
Power Dissipation	P <sub>D</sub> (Note)	1.4	W
Operating Temperature	T <sub>opr</sub>	- 40~85	°C
Storage Temperature	T <sub>stg</sub>	- 55~150	°C

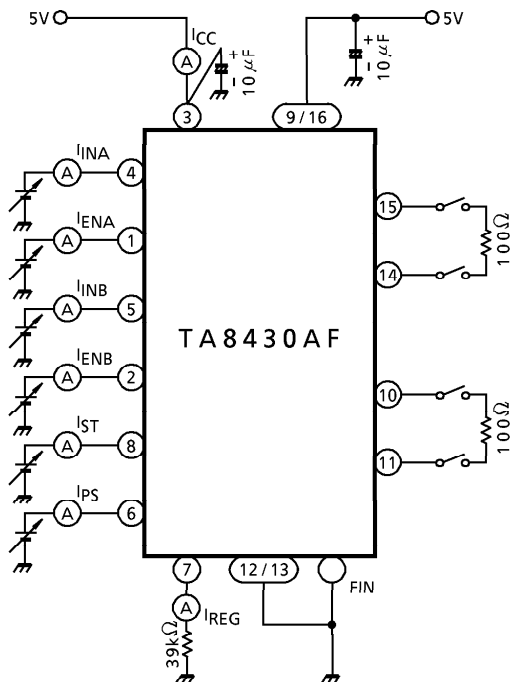
(Note) 60×30×1.6mm PCB occupied in excess of 50% of copper area, mounting.

**ELECTRICAL CHARACTERISTICS** (Ta = 25°C, V<sub>CC</sub> = 5V, V<sub>S</sub> = 5V, ST = 5V, PS = 0V, EN = 5V)

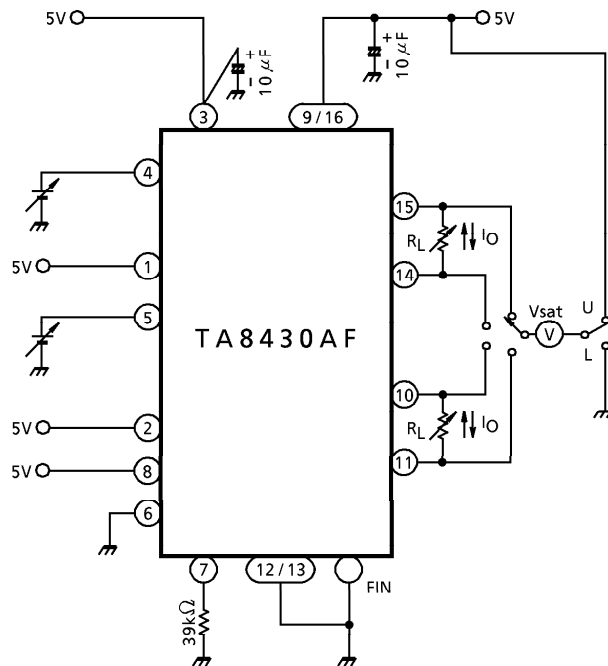
CHARACTERISTIC	SYMBOL	TEST CIRCUIT	TEST CONDITION	MIN.	TYP.	MAX.	UNIT	
Supply Current	I <sub>CC1</sub>	1	Output open	—	14	20	mA	
	I <sub>CC2</sub>		Output open, PS = 5V	—	14	20		
	I <sub>CC3</sub>		Output open	ENA = 0V, ENB = 5V	—	9		15
				ENA = 5V, ENB = 0V	—	9		15
	I <sub>CC4</sub>		Output open, PS = 5V	ENA = 0V, ENB = 5V ENA = 5V, ENB = 0V	—	9	15	
I <sub>CC5</sub>	ST = 0V		20	65	110	μA		
Input Voltage	V <sub>INH</sub>	1	④, ⑤ pin Source type	3.5	—	V <sub>CC</sub>	V	
	V <sub>INL</sub>			GND	—	1.7		
	V <sub>ENH</sub> , V <sub>PSH</sub>		①, ②, ⑥, ⑧ pin Source type	3.5	—	V <sub>CC</sub>		
	V <sub>STH</sub>			GND	—	1.7		
	V <sub>ENL</sub> , V <sub>PSL</sub>							
	V <sub>STL</sub>							
Input Current	I <sub>INH</sub>	1	V <sub>IN</sub> = 3.5V ④, ⑤ pin	—	0	0.1	μA	
	I <sub>INL</sub>			—	0.25	5.0		
	I <sub>ENH</sub> , I <sub>PSH</sub>		V <sub>EN</sub> = V <sub>PS</sub> = 3.5V ①, ②, ⑥ pin	—	0	0.1		
				—	0.25	5.0		
	I <sub>ENL</sub> , I <sub>PSL</sub>		V <sub>ST</sub> = 3.5V ⑧ pin	—	0	0.1		
				—	65	110		

CHARACTERISTIC	SYMBOL	TEST CIRCUIT	TEST CONDITION	MIN.	TYP.	MAX.	UNIT	
Saturation Voltage	V <sub>SAT U1</sub>	2	—	I <sub>OUT</sub> = 100mA	—	0.8	—	V
	V <sub>SAT U2</sub>			I <sub>OUT</sub> = 400mA	—	0.9	1.2	
	V <sub>SAT L1</sub>			I <sub>OUT</sub> = 100mA	—	0.1	—	
	V <sub>SAT L2</sub>			I <sub>OUT</sub> = 400mA	—	0.2	0.4	
Output Control Upper Voltage	V <sub>REG1</sub>	—	R <sub>REG</sub> = 39kΩ	I <sub>OUT</sub> = 100mA	—	2.0	—	V
	V <sub>REG2</sub>			I <sub>OUT</sub> = 400mA	—	1.9	—	
Control Circuit Output Current	I <sub>REG</sub>	1	—	41	56	71	μA	
Diode Forward Voltage	V <sub>FU</sub>	3	IF = 400mA	—	1.5	2.0	V	
	V <sub>FL</sub>			—	1.0	2.0		
Operating Supply Voltage Range	V <sub>CC (opr.)</sub>	—	—	4.0	—	6.0	V	
Propagation Delay Time	IN-φ	t <sub>pLH</sub>	R <sub>L</sub> = 8.2Ω C <sub>L</sub> = 15pF	—	4.5	—	μs	
	EN-φ			—	3	—		
	PS-φ			—	4.5	—		
	ST-φ			—	10	—		
	IN-φ	t <sub>pHL</sub>		—	0.1	—		
	EN-φ			—	10	—		
	PS-φ			—	0.2	—		
	ST-φ			—	5	—		

TEST CIRCUIT 1

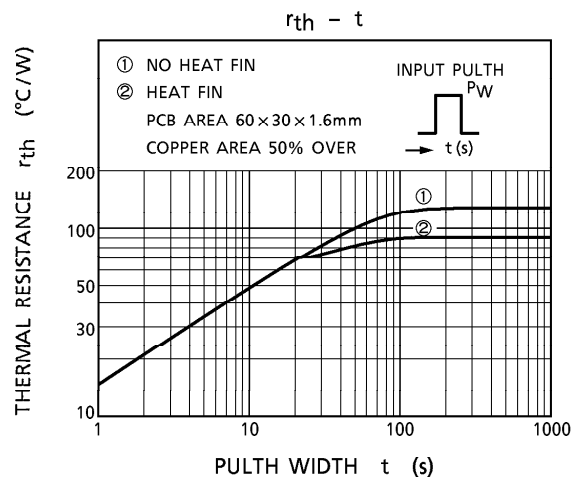
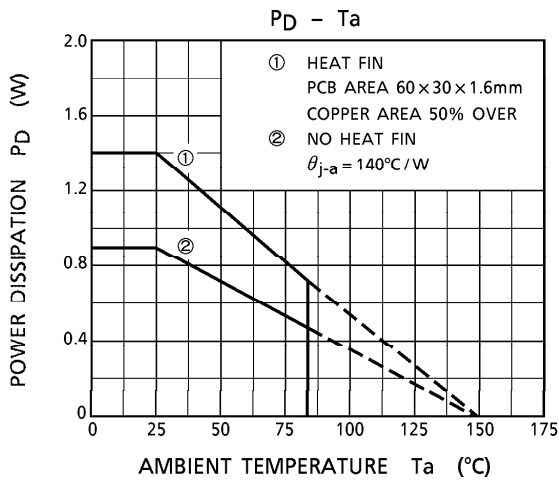
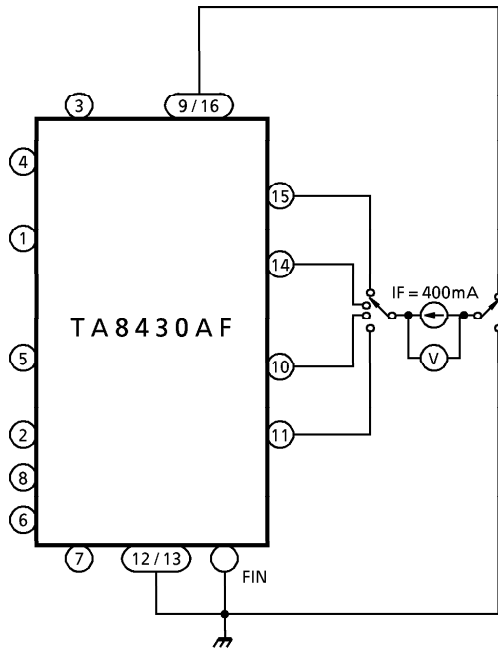


TEST CIRCUIT 2



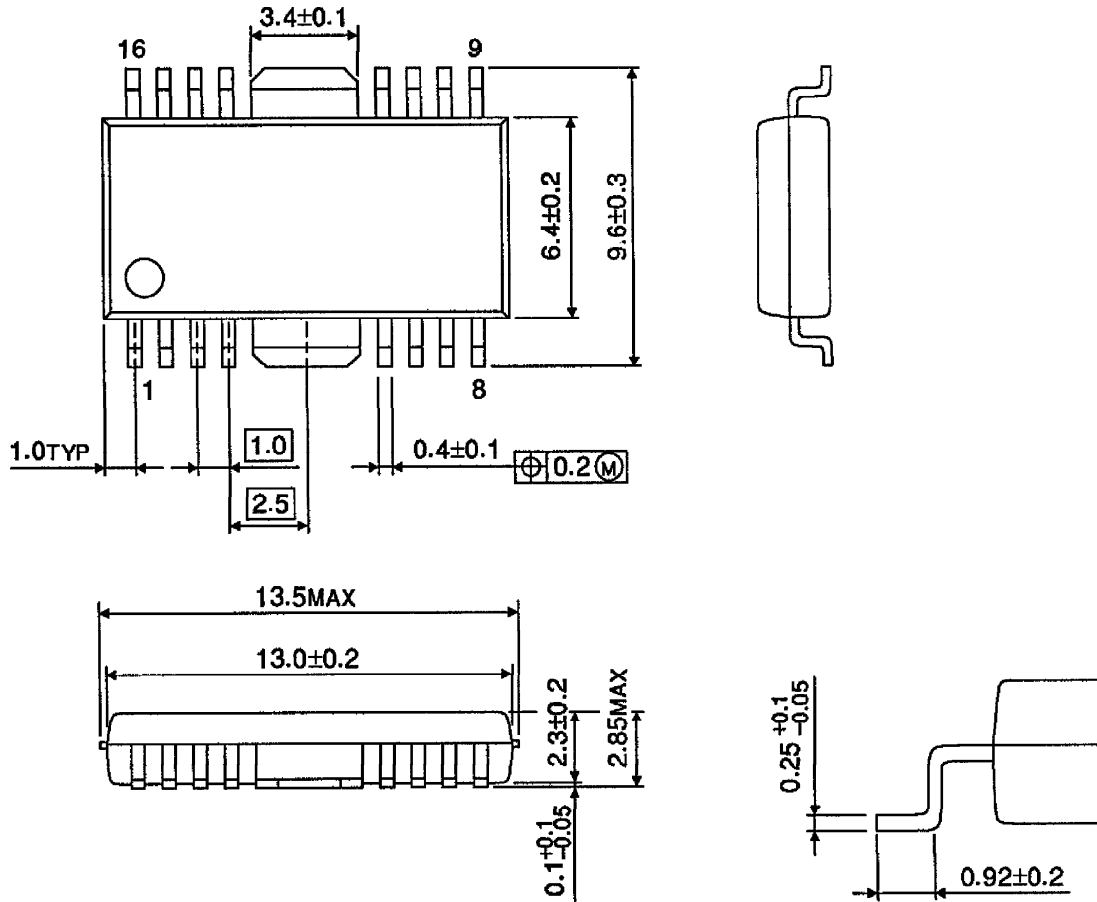


TEST CIRCUIT 3



OUTLINE DRAWING  
HSOP16-P-300-1.00

Unit : mm



Weight : 0.50g (Typ.)