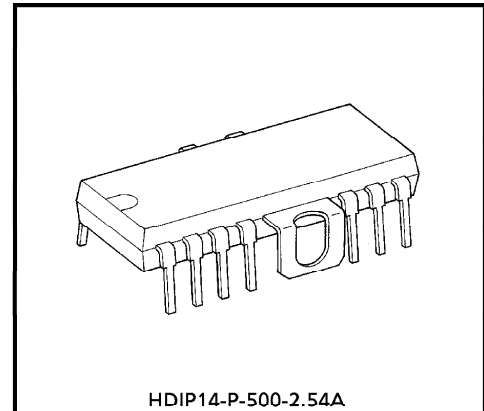


TA8449P

QUAD POWER OP. AMP

The TA8449P is 0.6A (PEAK) output current Quad type Power Operational Amplifier, and designed for CD player by 1chip (Focusing Tracking Actuator, Carriage and Spindle Motor).

This IC is suitable for large current driver circuit, such as, Motor, Actuator and general purpose Power Operational Amplifier.

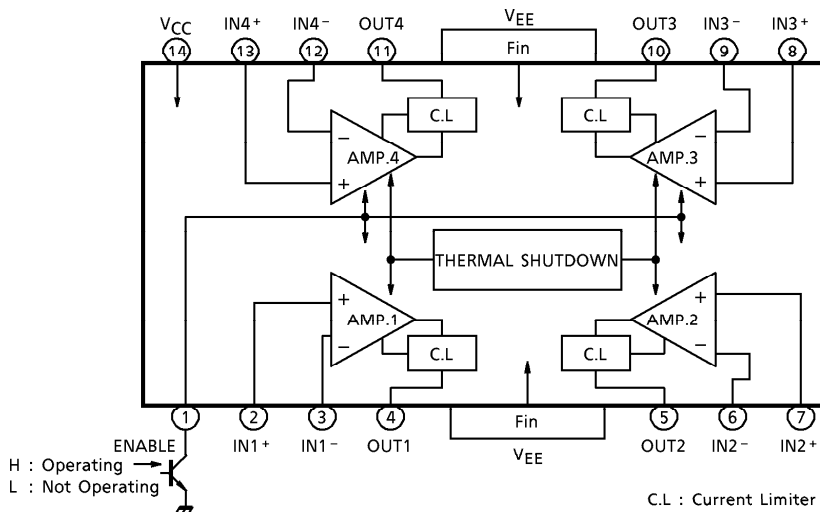


HDIP14-P-500-2.54A
Weight : 3.00g (Typ.)

FEATURES

- High Output Current : I_O (PEAK) = 0.6A / ch
 I_O (AVE) = 0.4A / ch
- Built-in Current Limiter : 1.0A (Typ.)
- Built-in Output Enable : GND or V_{EE} : Enable
: Open or V_{CC} : Disenable
- Thermal Shut Down Circuit

BLOCK DIAGRAM



961001EBA2

- TOSHIBA is continually working to improve the quality and the reliability of its products. Nevertheless, semiconductor devices in general can malfunction or fail due to their inherent electrical sensitivity and vulnerability to physical stress. It is the responsibility of the buyer, when utilizing TOSHIBA products, to observe standards of safety, and to avoid situations in which a malfunction or failure of a TOSHIBA product could cause loss of human life, bodily injury or damage to property. In developing your designs, please ensure that TOSHIBA products are used within specified operating ranges as set forth in the most recent products specifications. Also, please keep in mind the precautions and conditions set forth in the TOSHIBA Semiconductor Reliability Handbook.
- The products described in this document are subject to foreign exchange and foreign trade control laws.
- The information contained herein is presented only as a guide for the applications of our products. No responsibility is assumed by TOSHIBA CORPORATION for any infringements of intellectual property or other rights of the third parties which may result from its use. No license is granted by implication or otherwise under any intellectual property or other rights of TOSHIBA CORPORATION or others.
- The information contained herein is subject to change without notice.

PIN FUNCTION

PIN No.	SYMBOL	FUNCTIONAL DESCRIPTION
1	ENABLE	ENABLE terminal
2	IN1 ⁺	AMP.1 input terminal (+)
3	IN1 ⁻	AMP.1 input terminal (-)
4	OUT1	AMP.1 Output terminal
5	OUT2	AMP.2 Output terminal
6	IN2 ⁻	AMP.2 input terminal (-)
7	IN2 ⁺	AMP.2 input terminal (+)
8	IN3 ⁺	AMP.3 input terminal (+)
9	IN3 ⁻	AMP.3 input terminal (-)
10	OUT3	AMP.3 output terminal
11	OUT4	AMP.4 output terminal
12	IN4 ⁻	AMP.4 input terminal (-)
13	IN4 ⁺	AMP.4 input terminal (+)
14	V _{CC}	Power voltage supply terminal for positive side
Fin	V _{EE}	Power voltage supply terminal for negative side

MAXIMUM RATINGS (Ta = 25°C)

CHARACTERISTIC	SYMBOL	RATING	UNIT
Power Supply Voltage	V _{CC}	± 15	V
	V _{EE}		
Output Current	I _O (PEAK)	0.6 (*1)	A
	I _O (AVE.)	0.4	
Power Dissipation	P _D	2.3 (*2)	W
Operating Temperature	T _{opr}	-30~85	°C
Storage Temperature	T _{stg}	-55~150	°C

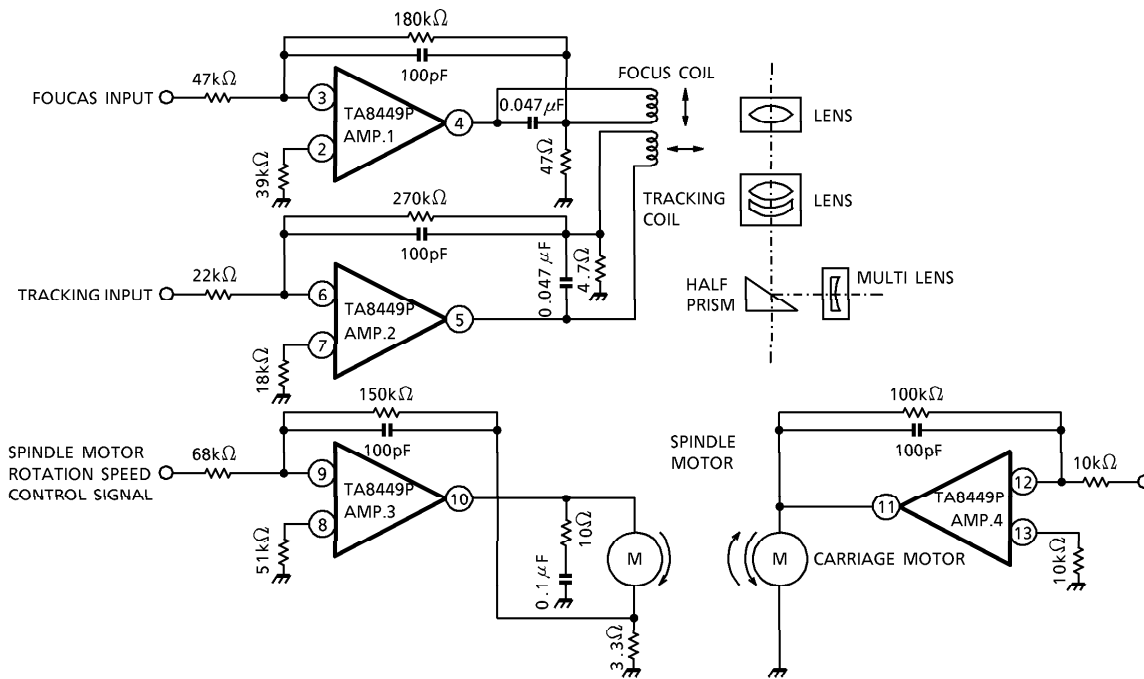
(*1) Single pulse 100ms.

(*2) No heat sink

ELECTRICAL CHARACTERISTICS (Unless otherwise specified, $T_a = 25^\circ\text{C}$, $V_{CC} = 15\text{V}$, $V_{EE} = -15\text{V}$)

CHARACTERISTIC	SYMBOL	TEST CIR-CUIT	TEST CONDITION	MIN.	TYP.	MAX.	UNIT
Power Supply Voltage	I_{CC1}	—	at No Resistance	—	16	35	mA
	I_{CC2}	—	at Disenable ($1\text{Pin} = V_{CC}$)	—	0	20	μA
Input Offset Current	I_{IO}	—	—	—	—	100	nA
Input Bias Current	I_I	—	—	—	—	300	nA
Input Offset Voltage	V_{IO}	—	—	—	—	6	mV
Output Maximum Amplitude	Upper	V_{OH}	$I_O = 0.1\text{A}$	12.0	13.3	—	V
	Lower	V_{OL}		—	-13.5	-12.0	
	Upper	V_{OH}	$I_O = 0.4\text{A}$	12.0	13	—	
	Lower	V_{OL}		—	-13	-12.0	
Open Loop Gain	G_{VO}	—	—	—	100	—	dB
Sync. Input Voltage Range	CMR	—	—	—	± 14	—	V
Sync. Voltage	CMRR	—	—	—	80	—	dB
Supply Voltage	SVRR	—	—	—	90	—	dB
Band Width	f_T	—	—	—	1.0	—	MHz
Through Rate	SR	—	—	—	0.9	—	V / μs
Limiting Current	I_{SC}	—	$T_j = 25^\circ\text{C}$	—	1.0	—	A
Crosstalk	C_T	—	—	—	60	—	dB
Enable Operating Current	I_{EN}	—	Pin ① = 0V	—	1	2	mA
Thermal Shut Down Operating Operating Temperature	T_{SD}	—	—	150	175	190	$^\circ\text{C}$

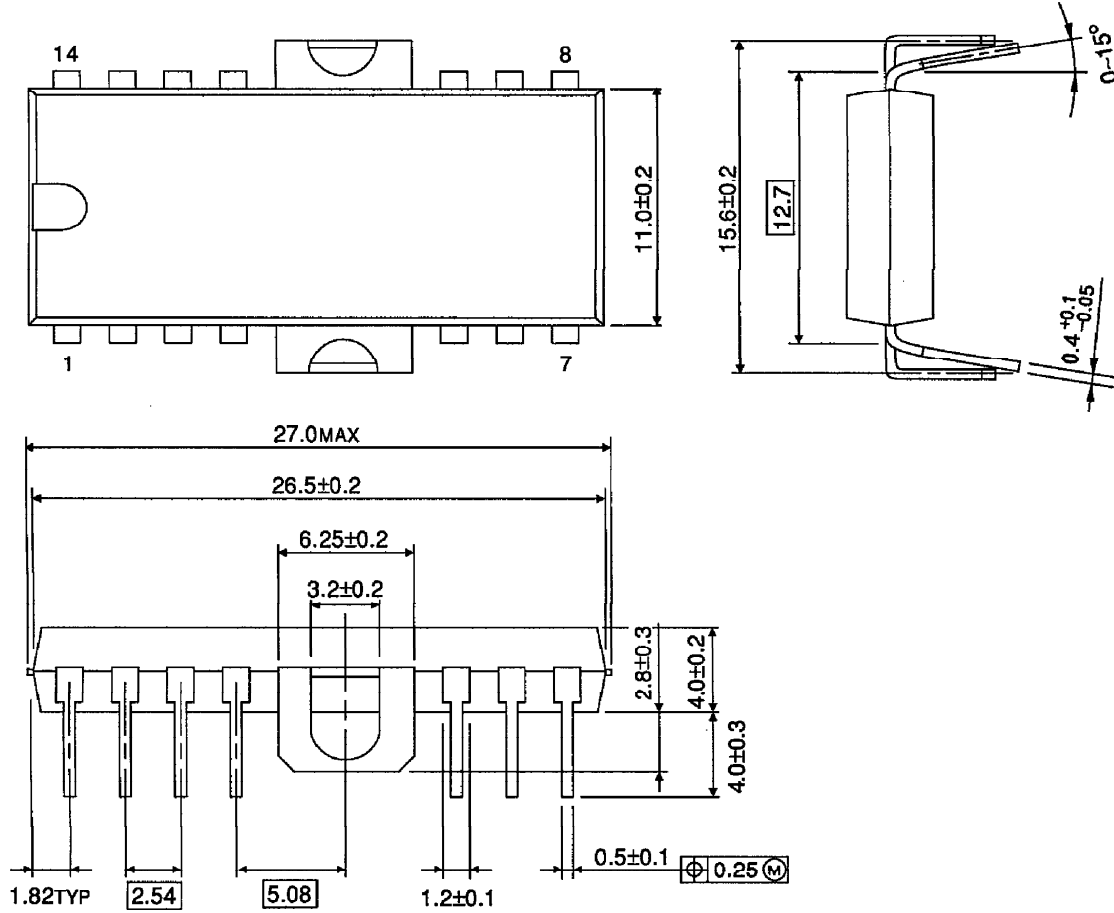
APPLICATION CIRCUIT (Actuator for CD player)



(Note) Utmost care is necessary in the design of the output line, V_{CC}, V_{EE} and GND line since IC may be destroyed due to short-circuit between outputs, air contamination fault, or fault by improper grounding.

OUTLINE DRAWING
HDIP14-P-500-2.54A

Unit : mm



Weight : 3.00g (Typ.)