

TOSHIBA BIPOLAR LINEAR INTEGRATED CIRCUIT SILICON MONOLITHIC

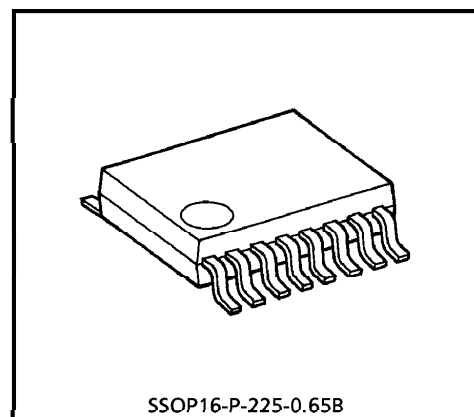
TA8564FN

SHOCK SENSOR IC (2ch VERSION)

TA8564FN detects an existence of external shock through the shock sensor and outputs.

FEATURE

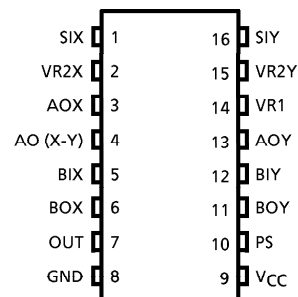
- TA8564FN operates from 5VDC single power supply voltage.
- The signal from shock sensor is amplified according to the setting gain, and is detected through the internal window comparator.
- TA8564FN incorporates 2-ch shock detecting circuitry.
- Input terminal of sensor signal is hi-impedance
Input impedance = $50M\Omega$ (Typ.)
- LPF (low pass filter) circuitry is built in.
Cut off frequency of LPF = 7kHz
- Sensitivity of shock detection can be adjusted by external devices.
- TA8564FN can output the differential signal between two sensors.
- TA8564FN is designed for low power dissipation.
Active mode (Pin 10 : 5V) 3mA (Typ.)
Powersave mode (Pin 10 : 0V) $0.1\mu A$ (Typ.)
- Small package
SSOP16-P-225-0.65B (0.65mm pitch)



SSOP16-P-225-0.65B

Weight : 0.07g (Typ.)

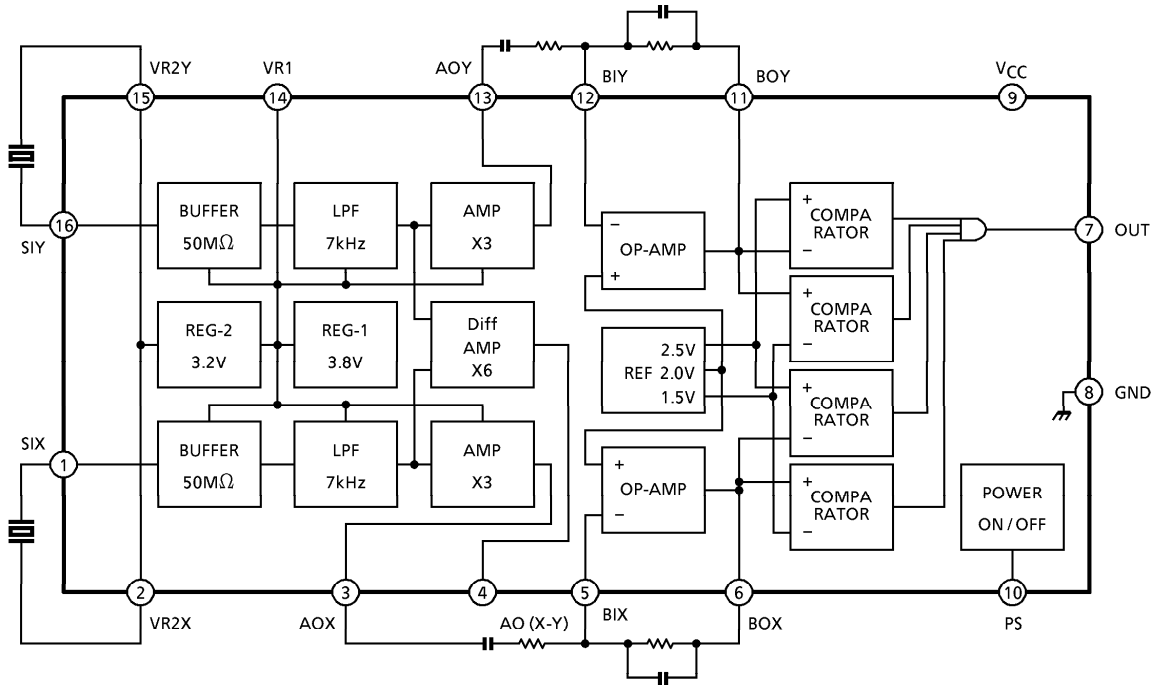
PIN CONNECTION (TOP VIEW)



961001EBA1

- TOSHIBA is continually working to improve the quality and the reliability of its products. Nevertheless, semiconductor devices in general can malfunction or fail due to their inherent electrical sensitivity and vulnerability to physical stress. It is the responsibility of the buyer, when utilizing TOSHIBA products, to observe standards of safety, and to avoid situations in which a malfunction or failure of a TOSHIBA product could cause loss of human life, bodily injury or damage to property. In developing your designs, please ensure that TOSHIBA products are used within specified operating ranges as set forth in the most recent products specifications. Also, please keep in mind the precautions and conditions set forth in the TOSHIBA Semiconductor Reliability Handbook.
- The products described in this document are subject to foreign exchange and foreign trade control laws.
- The information contained herein is presented only as a guide for the applications of our products. No responsibility is assumed by TOSHIBA CORPORATION for any infringements of intellectual property or other rights of the third parties which may result from its use. No license is granted by implication or otherwise under any intellectual property or other rights of TOSHIBA CORPORATION or others.
- The information contained herein is subject to change without notice.

BLOCK DIAGRAM



PIN FUNCTION

PIN No.	PIN NAME	FUNCTION
1	SIX	Connection terminal of shock sensor (Positive polarity side)
2	VR2X	Connection terminal of shock sensor (Reference voltage = 3.2V)
3	AOX	×3 (3 times) amplifier's output terminal
4	AO (X-Y)	The output of differential signal between two sensors
5	BIX	Operation amplifier's input terminal
6	BOX	Operation amplifier's output terminal
7	OUT	Output terminal (Output = "L" when shock is detected)
8	GND	Ground terminal
9	VCC	Power supply voltage
10	PS	Powersave control (0V input = powersave mode, 5V input = active mode)
11	BOY	Operation amplifier's output terminal
12	BIY	Operation amplifier's input terminal
13	AOY	×3 (3 times) amplifier's output terminal
14	VR1	3.8V output terminal
15	VR2Y	Connection terminal of shock sensor (Reference voltage = 3.2V)
16	SIY	Connection terminal of shock sensor (Positive polarity side)

MAXIMUM RATINGS

CHARACTERISTICS	SYMBOL	RATINGS	UNIT
Power Supply Voltage	V_{CC}	7	V
Input Voltage to PS Terminal	V_{IN}	$-0.3 \sim V_{CC} + 0.3$	V
Power Dissipation	P_D	560	mW
Storage Temperature	T_{stg}	$-55 \sim 150$	$^{\circ}\text{C}$

RECOMMEND OPERATING CONDITION

CHARACTERISTICS	SYMBOL	RATINGS	UNIT
Power Supply Voltage	V_{CC}	4.2~5.5	V
Operating Temperature	T_{OPR}	$-25 \sim 85$	$^{\circ}\text{C}$

ELECTRICAL CHARACTERISTICS (Unless Otherwise Specified, $V_{CC} = 5\text{V}$, $T_a = 25^{\circ}\text{C}$)

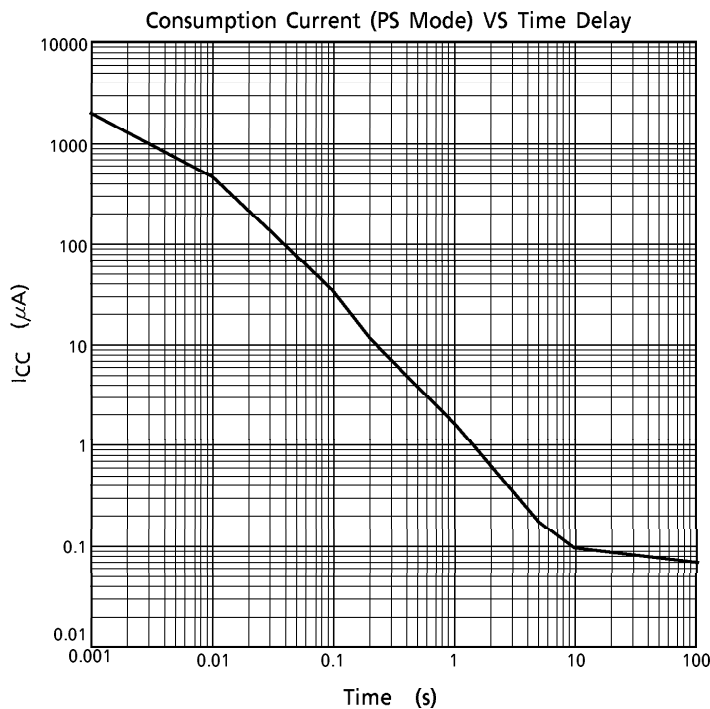
* : Marked parameters are reference data.

CHARACTERISTICS	SYMBOL	TEST CIRCUIT	TEST CONDITION	MIN.	TYP.	MAX.	UNIT
Supply Current (In active mode)	I_{CCD}	—	Pin 10 (PS) = 5V	—	3	3.6	mA
Supply Current (In PS mode)	I_{CCS}	—	Pin 10 (PS) = 0V	—	0.1	1.0	μA
* Input impedance	Z_{IN}	—	Input impedance of pin 1 (SIX), 16 (SIY)	—	50	—	$\text{M}\Omega$
Different Voltage Drop (SIX-VR2Y, SIY-VR2Y)	SIX-VR2X SIX-VR2Y	—	$T_a = 0 \sim 70^{\circ}\text{C}$ SIX - VR2Y, SIY - VR2Y	-200	—	200	mV
LPF Cut-Off Frequency	f_c	—	-3dB	5	7	10	kHz
* Gain of 3X	G	—	—	8	9.5	11	dB
OP-AMP Input Current	I_{IN}	—	—	—	30	100	nA
* OP-AMP f_T	f_T	—	—	—	1.5	—	MHz
Pin 5, 12 Terminal Voltage	BI	—	—	1.85	2.0	2.15	V
* Trip Voltage (H Level)	$V_{trip(+)}$	—	Comparison with the reference voltage (2.0V) of 5, 12 terminal	0.45	0.5	0.55	V
* Trip Voltage (L Level)	$V_{trip(-)}$	—	Comparison with the reference voltage (2.0V) of 5, 12 terminal	-0.45	-0.5	-0.55	V
Gain of Differential Amp		—	—	14.0	15.5	17.0	dB
Output Sink Current	I_{sink}	—	$V_{OL} = 0.5\text{V}$	0.5	—	—	mA
Output Source Current	I_{source}	—	$V_{OH} = V_{CC} - 1.0\text{V}$	35	50	—	μA
Output Voltage of Pin VR1	VR1	—	Pin 14 output voltage	3.62	3.8	3.98	V
Output Voltage of Pin VR2X, VR2Y	VR2	—	Pin 2, 15 output voltage	VR1 -0.6	VR1 -0.55	VR1 -0.5	V
VR1 Terminal Output Source Current	$I_{SI}(\text{VR1})$	—	—	—	—	600	μA
VR1 Terminal Output Sink Current	$I_{SO}(\text{VR1})$	—	—	—	—	100	μA

ELECTRICAL CHARACTERISTICS (Unless Otherwise Specified, $V_{CC} = 5V$, $T_a = 25^{\circ}C$)

* : Marked parameters are reference data.

CHARACTERISTICS	SYMBOL	TEST CIR-CUIT	TEST CONDITION	MIN.	TYP.	MAX.	UNIT
Input Voltage of Pin PS	V_{IH}	—	H LEVEL	3.0	—	—	V
	V_{IL}	—	L LEVEL	—	—	1.0	
Threshold Volt of Pin PS	V_{TH}	—	—	—	2.3	—	V
* Delay time to Steady the Operation after supply voltage rising	tPS	—	Delay time to steady the output voltage of 3, 13 pin with $C_L = 210pF$ of sensor, after supply voltage rising	—	110	—	μs



THE EXTERNAL DEVICES SETTING

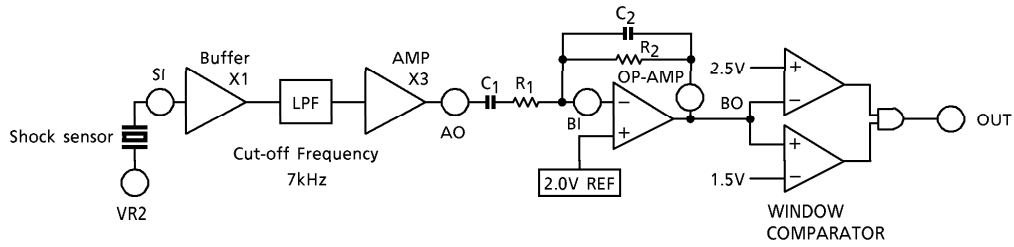


Fig.1 The Composition of G-Force Sense Amplifier

Fig.1 is the composition of G-force sense amplifier. (This device include 2 channel)
 The shock sensor is connected between 1 and 2 terminal (& 16 and 15 terminal). Please connect the positive polarity side to 1 terminal.
 The setting of sensitivity is adjusted by external resistors of R_1 & R_2 . Please refer to below figure (fig.2) about setting value. For instance, when the signal from sensor (1 terminal input signal) is 5mV, the standard setting for detection is following :

$$R_1 = 15k\Omega, R_2 = 500k\Omega$$

Besides, the liner high pass filter is composed by C_1 & R_1 , and the secondary LPF is composed by C_1 & C_2 . Its cut-off frequency is defined as :

$$f = 1 / (2\pi \times C \times R)$$

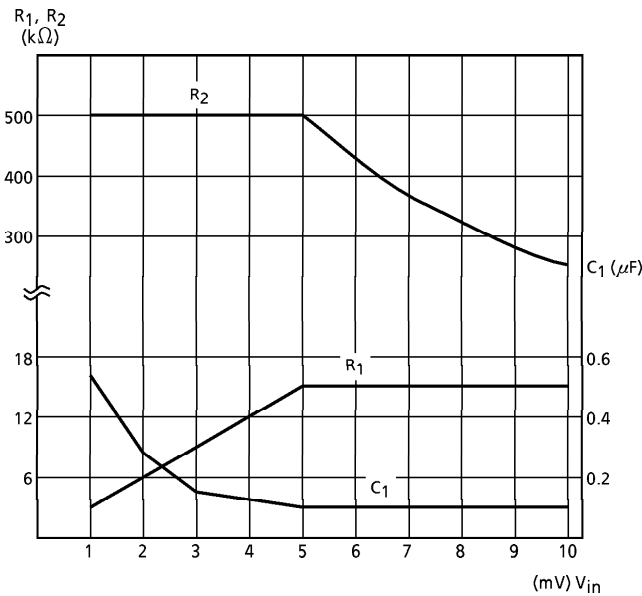


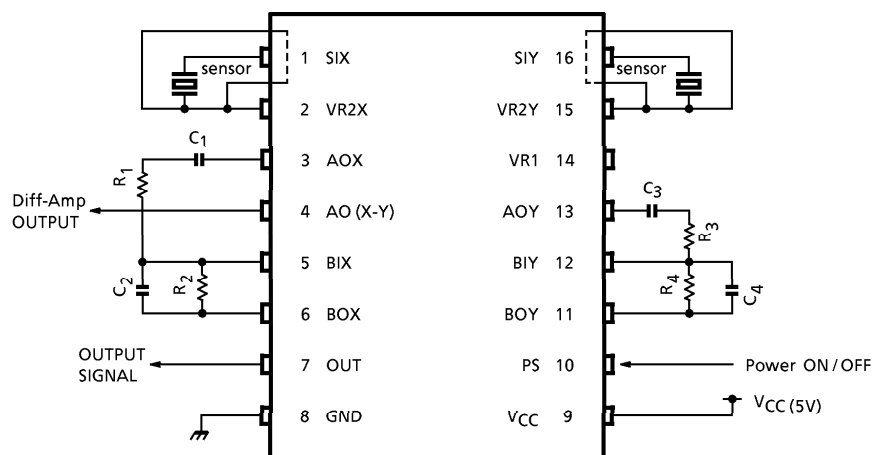
Fig.2 The Signal Form Sensor (V_{in}) vs The Standard External Devices For Detection

(Note : C_1 is figured as the cut-off frequency of HPF is setting to 100Hz)

CAUTION IN USING THE TA8564FN

1. The treatment of connection from the shock sensor to signal input terminal (1, 16 terminal) :
 1, 16 terminal of the TA8564FN is high-impedance input terminal. Therefore, please pay attention not to occur the leak current from other terminals.
 If the leak current occurred to 1 terminal (Particularly at soldering on PC substrate), there is possibility to cause the problem of operation.
 Due to avoid this problem, it's recommended to circle the signal line between the shock sensor and 1 terminal by 2 terminal line, same voltage as 1 terminal. (The same, to circle the signal line between the G-force sensor and 16 terminal by 15 terminal line).
 Please refer to the below application circuit.
2. The shock sensor :
 Please confirm the characteristic of the using shock sensor sufficiently.
3. V_{CC} , GND :
 Please connected the capacitor between V_{CC} and GND closely to the TA8564FN.

APPLICATION CIRCUIT

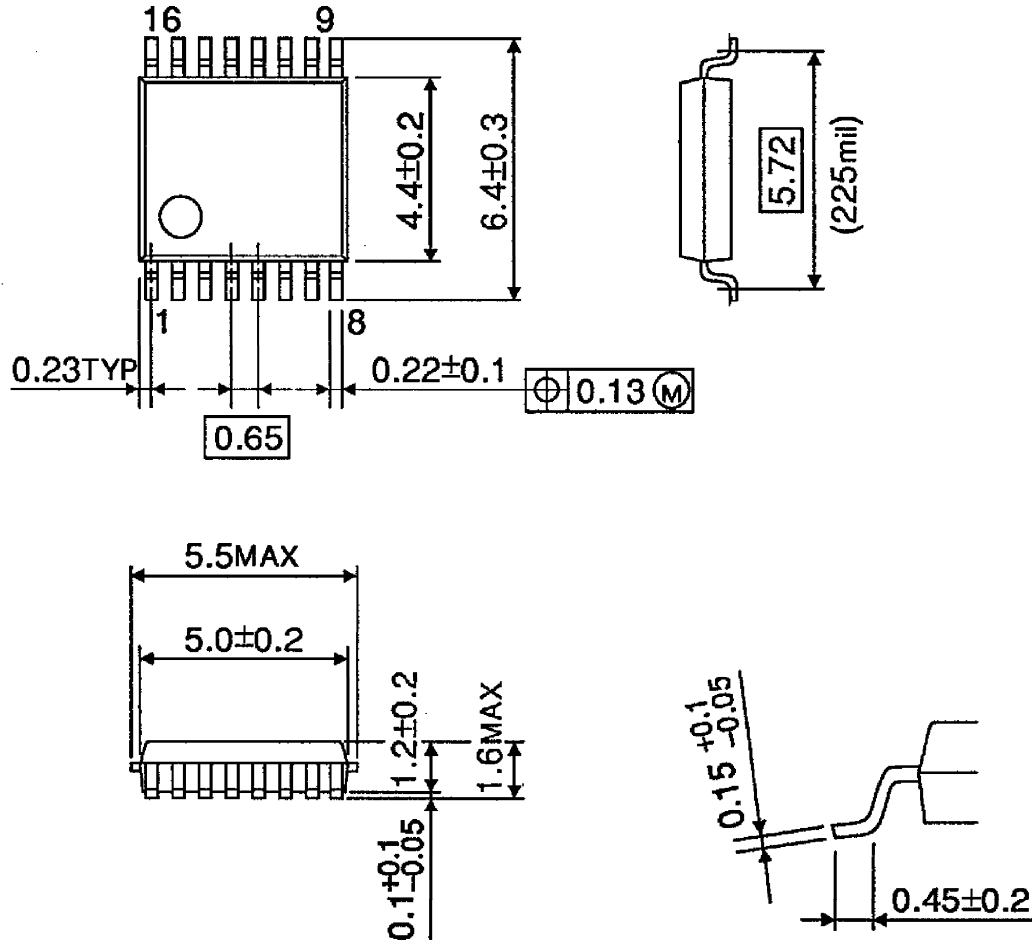


Note) 1 terminal's voltage is same as 2 terminal. It's recommended to circle between the shock sensor and 1 terminal by 2 terminal line for a protection of leak current occurrence.
 (The same, 16 terminal and 15 terminal)

OUTLINE DRAWING

SSOP16-P-225-0.65B

UNIT : mm



Weight : 0.07g (Typ.)