

Current and Voltage Controls

Current Transformer, 1-Phase AC

Type TAD 4, TAD 6


CARLO GAVAZZI


TAD4



TAD6

- Cable/bus-bar type current transformer
- DIN-rail, bus-bar and panel mounting facility
- TAD4: class 0.5, currents from 200 to 800 A
- TAD 6: class 0.5, currents from 400 to 2000 A

Product Description

Cable/bus-bar type current transformer with DIN-rail/bus-bar and panel mounting facility. Rated primary currents from 100 A to 2000 A.

Ordering Key

TAD4 200A 5A

Model _____
 Primary current _____
 Secondary current _____

Type Selection

Model

TAD4: Cable diameter:
max. 32 mm
Bus-bar size:
32 x 16 mm
41 x 11 mm

TAD6: Cable diameter:
max. 52 mm
Bus-bar size:
55 x 22 mm
65 x 20 mm

Primary current

Refer to Range Table

Input Specifications

Operating frequency	40 to 60 Hz
Max. system voltage	0.72 kV
Rated insulation level	3 kV / 1 min. @ 50 Hz
Short-time current rating I_{th} I_{dyn}	Typical 100 I_n / 1 s 2.5 I_{th} The short-time thermal current I_{th} is anyway limited by the cable/bus-bar size
Extended current rating	120%
Security factor (FS)	≤ 5

Output Specifications

Rated secondary current
5 A standard
1 A on request

General Specifications

Standards	According to IEC 60185
Housing	ABS, self-extinguishing: UL 94 V-0
Mounting	DIN-rail 46277/bus-bar and panel mounting (brackets supplied with the CT)
Standard accessories	Screws + washers for secondary terminals Brackets for panel mounting Screws for cable/bus-bar mounting Sealable terminal block cover
Special features	1 A secondary current Double ratio obtained on the secondary Tropicalization
Cable diameters TAD 4: TAD 6:	max. 32 mm max. 52 mm
Bus-bar size TAD 4: TAD 6:	32 x 16 mm or 41 x 11 mm 55 x 22 mm or 65 x 20 mm

TAD 4, TAD 6

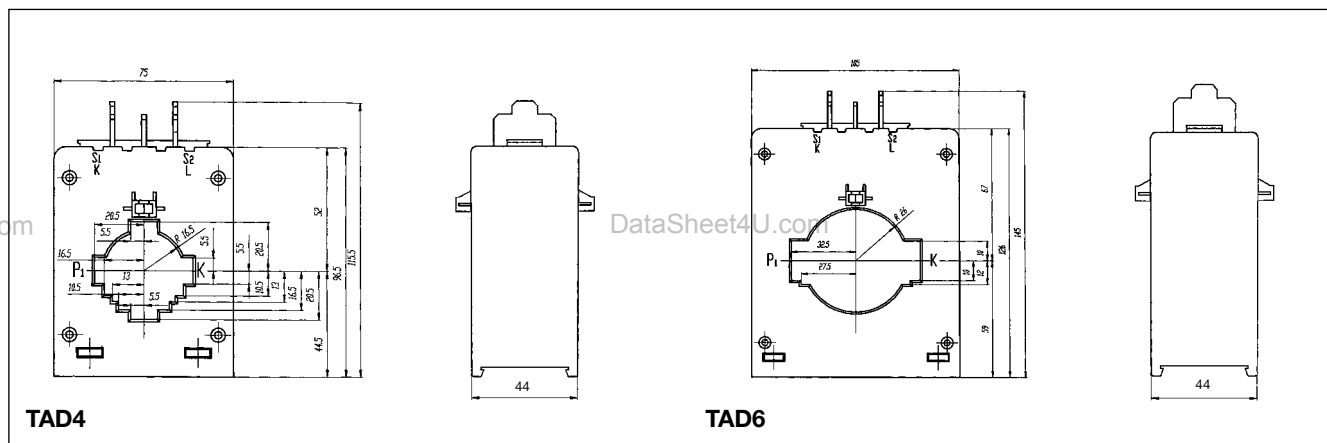


Range Table

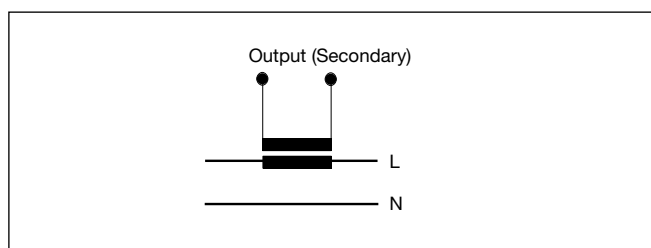
TAD 4:			TAD 6:		
Rated Primary Current	Rated secondary current 1 A/5 A		Rated Primary Current	Rated secondary current 1 A/5 A	
	Class 0.5 ¹⁾ Burden	Class 1 ¹⁾ Burden		Class 0.5 ¹⁾ Burden	Class 1 ¹⁾ Burden
100 A	-	3 VA	400 A	6 VA	12 VA
150 A	-	3 VA	500 A	6 VA	12 VA
200 A	4 VA	-	600 A	10 VA	20 VA
250 A	6 VA	-	800 A	10 VA	20 VA
300 A	6 VA	-	1000 A	20 VA	40 VA
400 A	10 VA	-	1200 A	20 VA	40 VA
500 A	10 VA	-	1500 A	30 VA	60 VA
600 A	10 VA	-	2000 A	30 VA	60 VA
800 A	10 VA	-			

¹⁾ The accuracy class is depending on the burden output. For the same rated primary current, the higher the burden the lower the class (class down-grade).

Dimensions



Wiring Diagram



Standard Accessories

- Sealable plastic cover for terminal block
- Brackets for panel mounting

