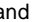


TA-VE150

SERVICE MANUAL

AEP Model
UK Model



This amplifier has the Dolby Surround system.
Manufactured under license from Dolby Laboratories Licensing Corporation.
“Dolby”, the double-D symbol  and “Pro Logic” are trademarks of Dolby Laboratories Licensing Corporation.

SPECIFICATIONS

Amplifier section

Power output

Stereo mode (DIN 1 kHz, 8 ohms)
25 W + 25 W

Surround mode (DIN 1 kHz, 8 ohms)
Front: 25 W/ch
Centre: 25 W
Rear: 25 W/ch

5.1 CH INPUT/DVD mode (DIN 1 kHz, 8 ohms)
Front: 25 W/ch
Centre: 25 W
Rear: 25 W/ch

Frequency response TV, VIDEO, DVD-2CH,
5.1 CH INPUT/DVD:
20 Hz-50 kHz \pm 1 dB

Inputs

	Sensitivity	Impedance	S/N	
(weighting network, input level)				
TV, VIDEO, DVD-2CH, 5.1 CH INPUT/DVD	200 mV	50 kilohms	82 dB*	(A, 150 mV)

*78 IHF

Outputs

VIDEO (AUDIO OUT):
Voltage 200 mV,
Impedance 10 kilohms
WOOFER/AUDIO OUT:
Voltage: 2 V
Impedance: 1 kilohms

Muting

Full mute

BASS BOOST

+9 dB at 70 Hz

General

Power requirements 230 V AC, 50/60 Hz

Power consumption 115 W

Dimensions 430 \times 274 \times 64.5 mm

Mass (Approx.) 5.4 kg

Supplied accessories

Remote controller
(remote) (1)
Size AA (R6) batteries (2)
Scart adaptor (1)

Design and specifications are subject to change without notice.

Specifications indicated are measured at 230 VAC, 50 HZ.

INTEGRATED AV AMPLIFIER



www.rtv-horvat-dj.hr **SONY**®

TABLE OF CONTENTS

1. GENERAL	3
2. DISASSEMBLY	4
3. TEST MODE	5
4. DIAGRAMS	6
4-1. Notes for Printed Wiring Board and Schematic Diagram	7
4-2. Printed Wiring Board – MAIN Section –	11
4-3. Schematic Diagram – MAIN Section (1/2) –	13
4-4. Schematic Diagram – MAIN Section (2/2) –	15
4-5. Printed Wiring Boards – PANEL Section –	17
4-6. Schematic Diagram – PANEL Section –	19
4-7. Printed Wiring Boards – POWER Section –	21
4-8. Schematic Diagram – POWER Section –	23
4-9. IC Pin Function Description	25
5. EXPLODED VIEWS	27
6. ELECTRICAL PARTS LIST	29

Notes on chip component replacement

- Never reuse a disconnected chip component.
- Notice that the minus side of a tantalum capacitor may be damaged by heat.

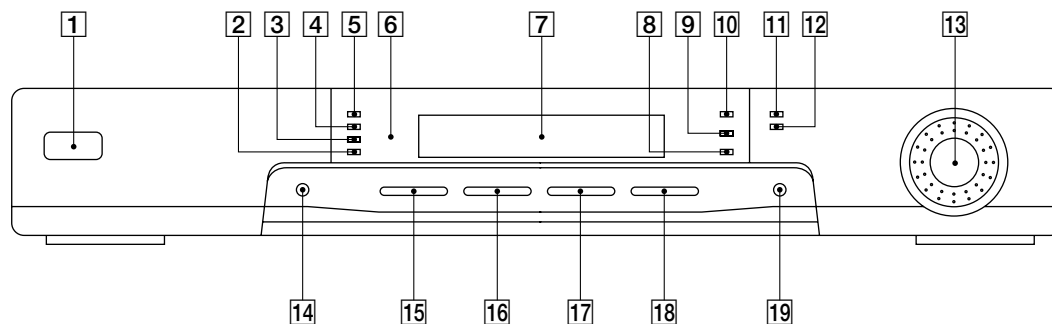
SAFETY-RELATED COMPONENT WARNING!!

COMPONENTS IDENTIFIED BY A \triangle MARK ON THE SCHEMATIC DIAGRAMS, EXPLODED VIEWS AND IN THE PARTS LIST ARE CRITICAL TO SAFE OPERATION. REPLACE THESE COMPONENTS WITH SONY PARTS WHOSE PART NUMBERS APPEAR AS SHOWN IN THIS MANUAL OR IN SUPPLEMENTS PUBLISHED BY SONY.

SECTION 1 GENERAL

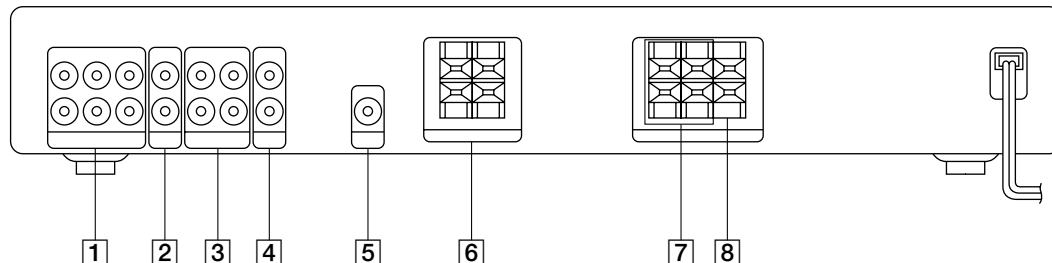
Location of controls

— Front view —



- | | |
|-------------------------------|------------------------------------|
| 1 I / \odot button | 11 BASS BOOST indicator |
| 2 3 STEREO indicator | 12 MUTING indicator |
| 3 NORMAL indicator | 13 MASTER VOLUME dial |
| 4 WIDE indicator | 14 CENTER MODE button |
| 5 PHANTOM indicator | 15 TV button |
| 6 Remote sensor | 16 VIDEO button |
| 7 Display window | 17 DVD, 2 CH button |
| 8 SIMULATED indicator | 18 5.1 CH INPUT, DVD button |
| 9 C. STUDIO indicator | 19 SURROUND MODE button |
| 10 PRO LOGIC indicator | |

— Rear view —

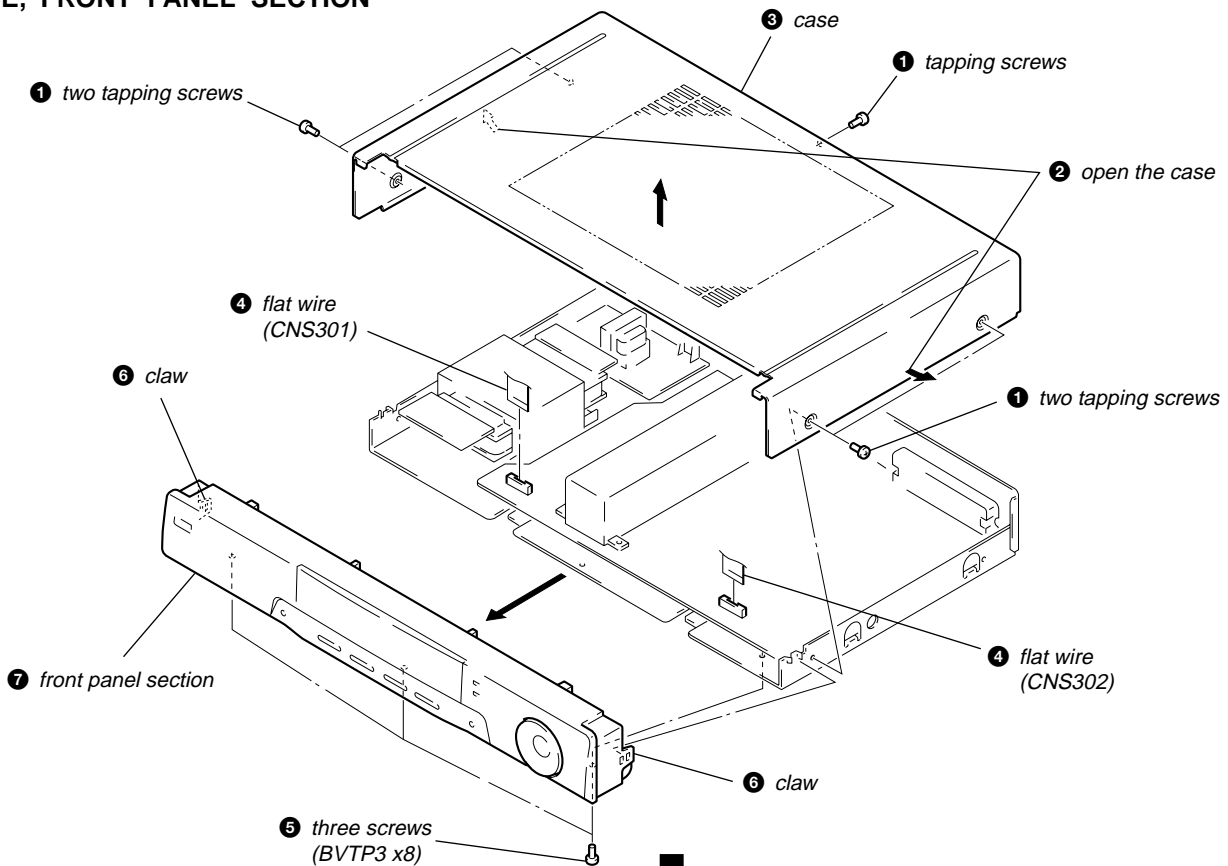


- | | |
|---------------------------------|-----------------------------------|
| 1 5.1 CH INPUT/DVD jacks | 5 WOOFER jack |
| 2 DVD 2 CH jacks | 6 FRONT SPEAKERS terminals |
| 3 VIDEO jacks | 7 REAR SPEAKERS terminals |
| 4 TV jacks | 8 CENTER SPEAKER terminals |

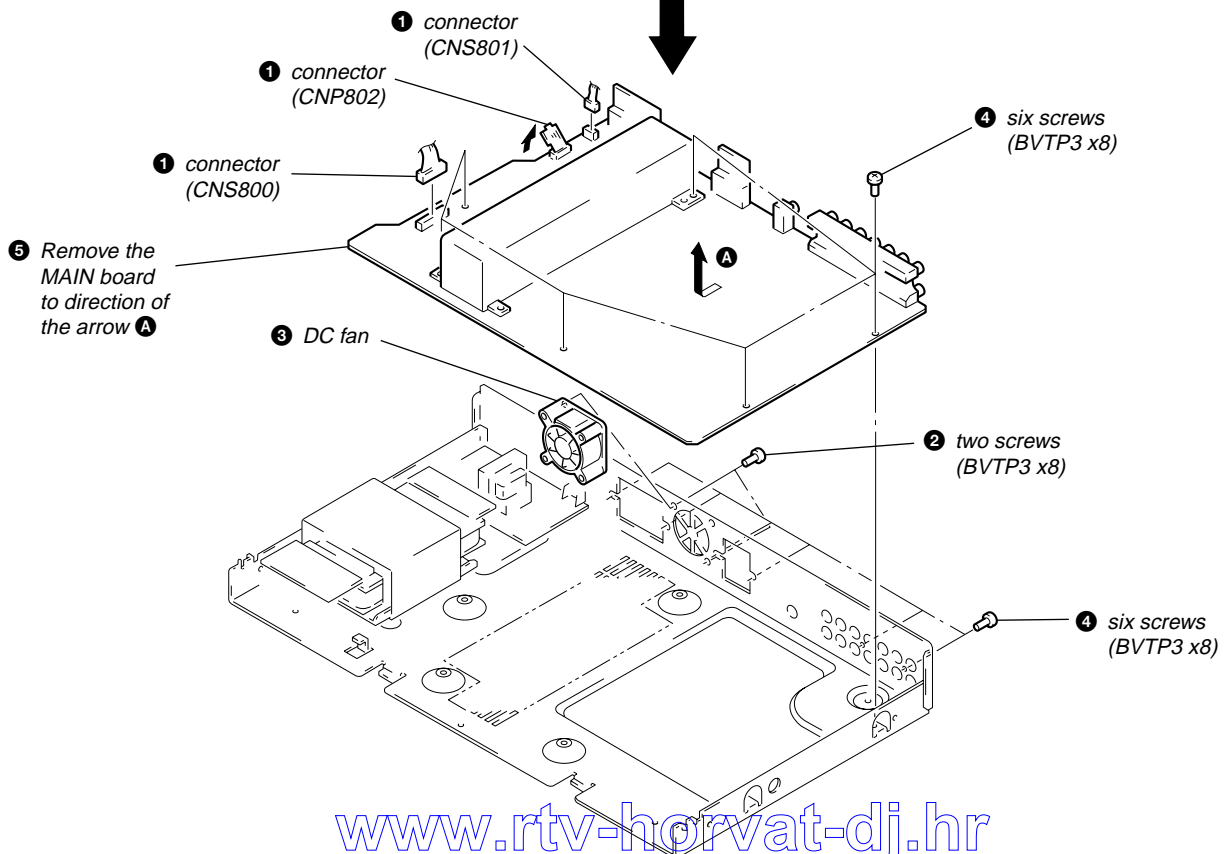
SECTION 2 DISASSEMBLY

Note: Follow the disassembly procedure in the numerical order given.

CASE, FRONT PANEL SECTION



MAIN BOARD



SECTION 3 TEST MODE

This equipment is provided with a test mode built in the micro-computer. The contents are described in the following.

[Initial Mode]

1. Press **[I/⏻]** button while pressing both **[VIDEO]** and **[5.1CH INPUT, DVD]** buttons simultaneously.
2. "INITIAL" is displayed on the fluorescent indicator tube, and the status of the unit is set in the following.
 - All Memory is clear.
 - Center, rear level set to 0.
 - Center mode set to Phantom.
 - DBFB clear.
 - Muting clear.
 - Volume level set to min.

[Factory Mode]

1. Press **[I/⏻]** button while pressing three buttons of **[TV]**, **[DVD, 2CH]**, and **[5.1CH INPUT, DVD]** simultaneously.
2. Factory setting same as initial except center mode set to normal using jog can set to volume max or min directly.

[FL Check Mode]

1. Press **[I/⏻]** button while both **[CENTER MODE]** and **[VIDEO]** buttons simultaneously.
2. Fluorescent indicator tube and LED are checked, "FINISH" is displayed and the status of the unit is set back in normal condition.

[Gain Up Mode]

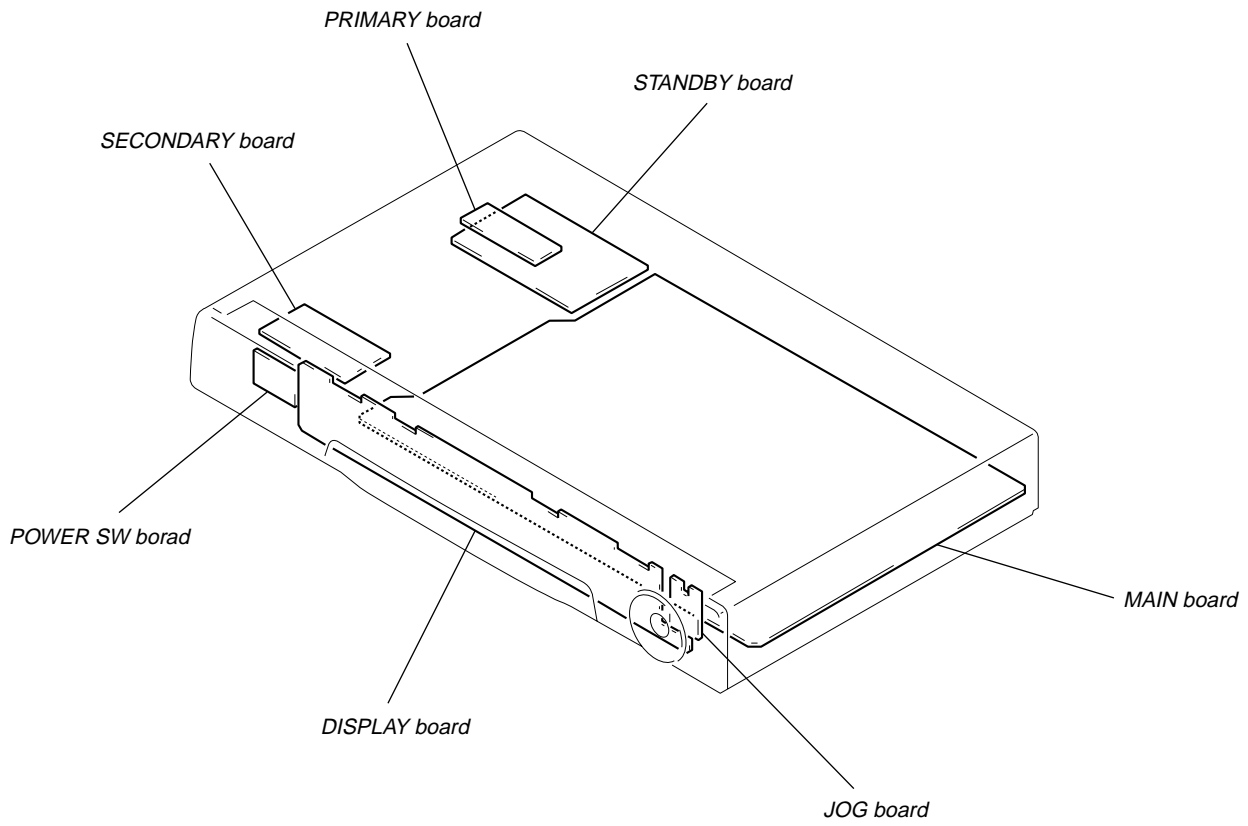
1. Press **[I/⏻]** button while pressing **[SURROUND MODE]** button.
2. "GAIN UP" is displayed on the fluorescent indicator tube and the rear is gained up 3 dB.
3. To exit from this mode, press two buttons in the same manner as step1.
"NORMAL" is displayed on the fluorescent indicator tube and the status of the unit is set back in normal condition.

[Version Mode]

1. Press **[I/⏻]** button while pressing both **[CENTER MODE]** and **[SURROUND MODE]** buttons simultaneously.
2. Version of its destination is displayed on the fluorescent indicator tube.


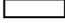
SECTION 4 DIAGRAMS

- Circuit Boards Location

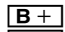
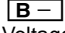






4-1. NOTES FOR PRINTED WIRING BOARD AND SCHEMATIC DIAGRAM

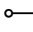


Note on Schematic Diagram:

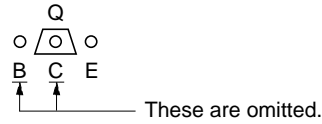
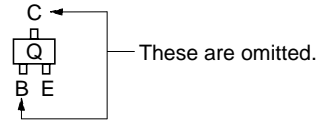
- All capacitors are in μF unless otherwise noted. pF: μpF 50 WV or less are not indicated except for electrolytics and tantalums.
- All resistors are in Ω and $1/4\text{ W}$ or less unless otherwise specified.
- \triangle : internal component.
-  : nonflammable resistor.
-  : panel designation.

Note: The components identified by mark \triangle or dotted line with mark \triangle are critical for safety.
Replace only with part number specified.

-  : B+ Line.
-  : B- Line.
- Voltages and waveforms are dc with respect to ground under no-signal conditions.
no mark : VIDEO
- Voltages are taken with a VOM (Input impedance $10\text{ M}\Omega$).
Voltage variations may be noted due to normal production tolerances.
- Waveforms are taken with a oscilloscope.
Voltage variations may be noted due to normal production tolerances.
- Circled numbers refer to waveforms.
- Signal path.
-  : FRONT/AUDIO IN
-  : REAR
-  : CENTER
-  : WOOFER

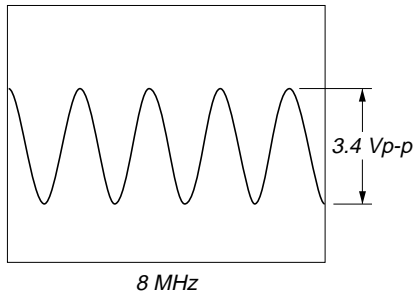
Note on Printed Wiring Board:

-  : parts extracted from the component side.
-  : parts mounted on the conductor side.
-  : Pattern from the side which enables seeing.
- Indication of transistor.



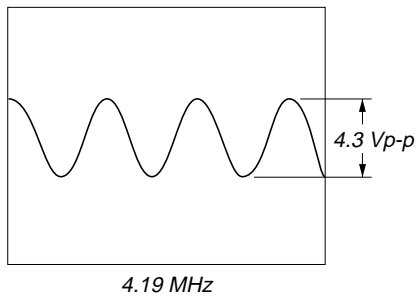
• Waveforms
– MAIN Board –

① IC300 ③① (OSC)



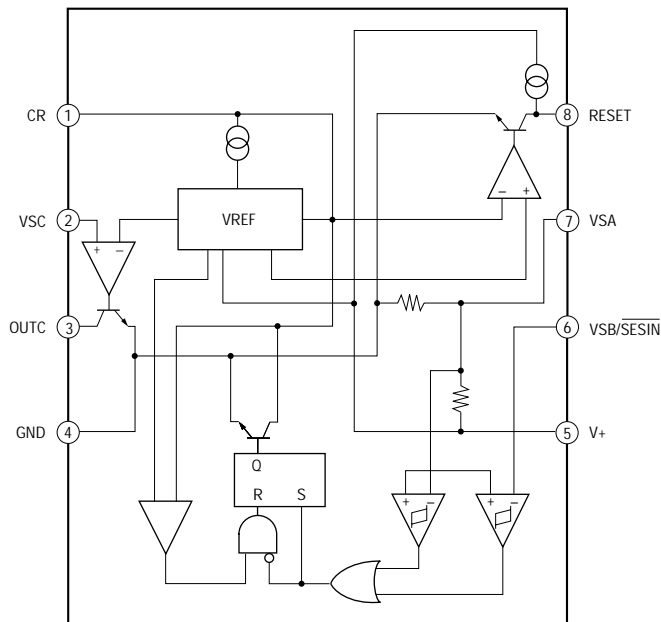
– DISPLAY Board –

① IC201 ③④ (X1)



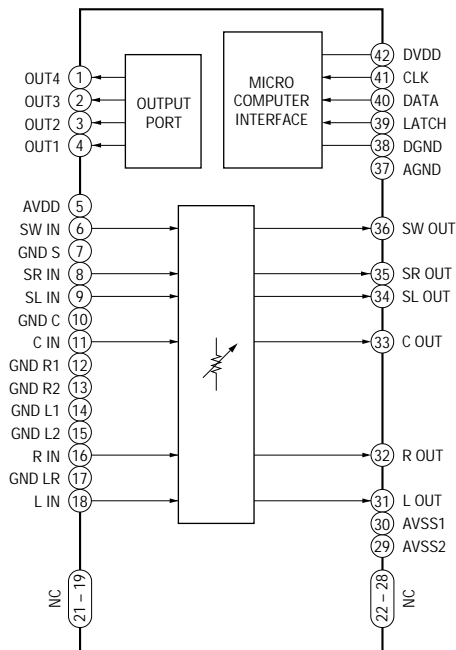
• IC Block Diagrams
 – STANDBY Board –

IC950 NJM2103D

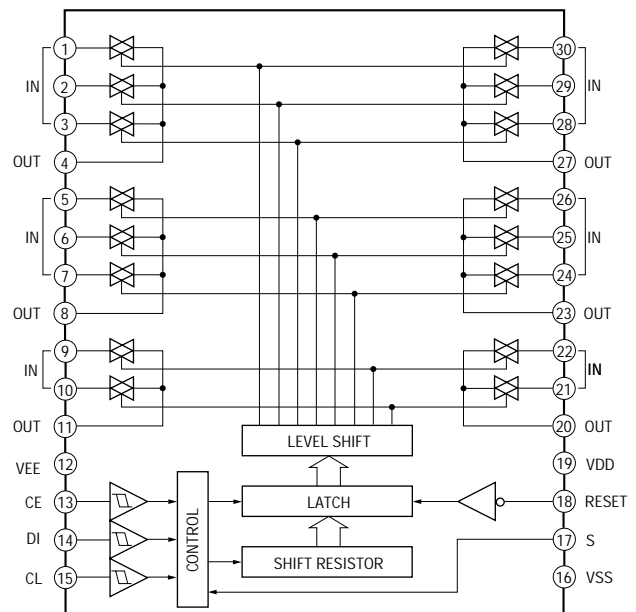


– MAIN Board –

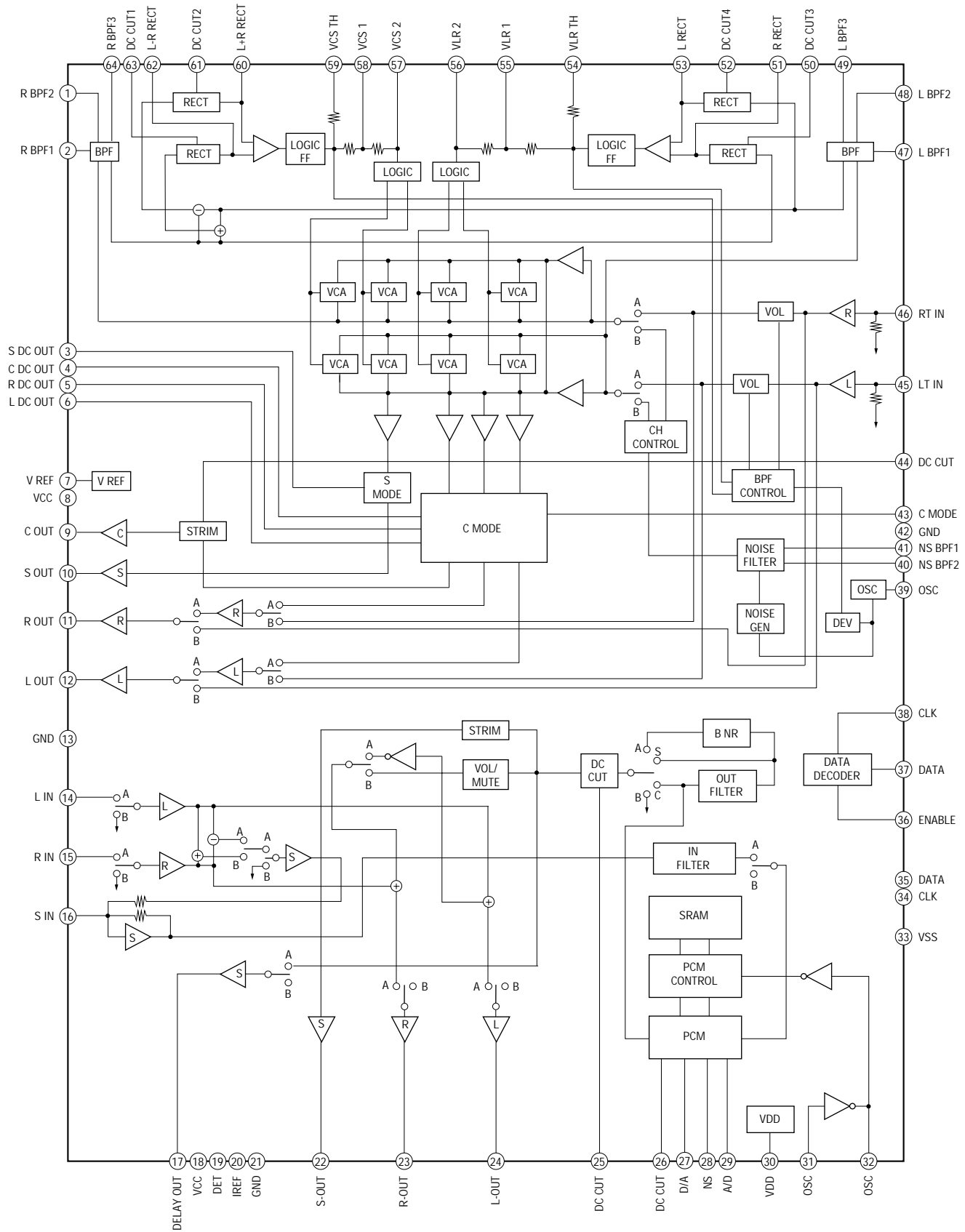
IC100 M62447SP



IC500 LC7822

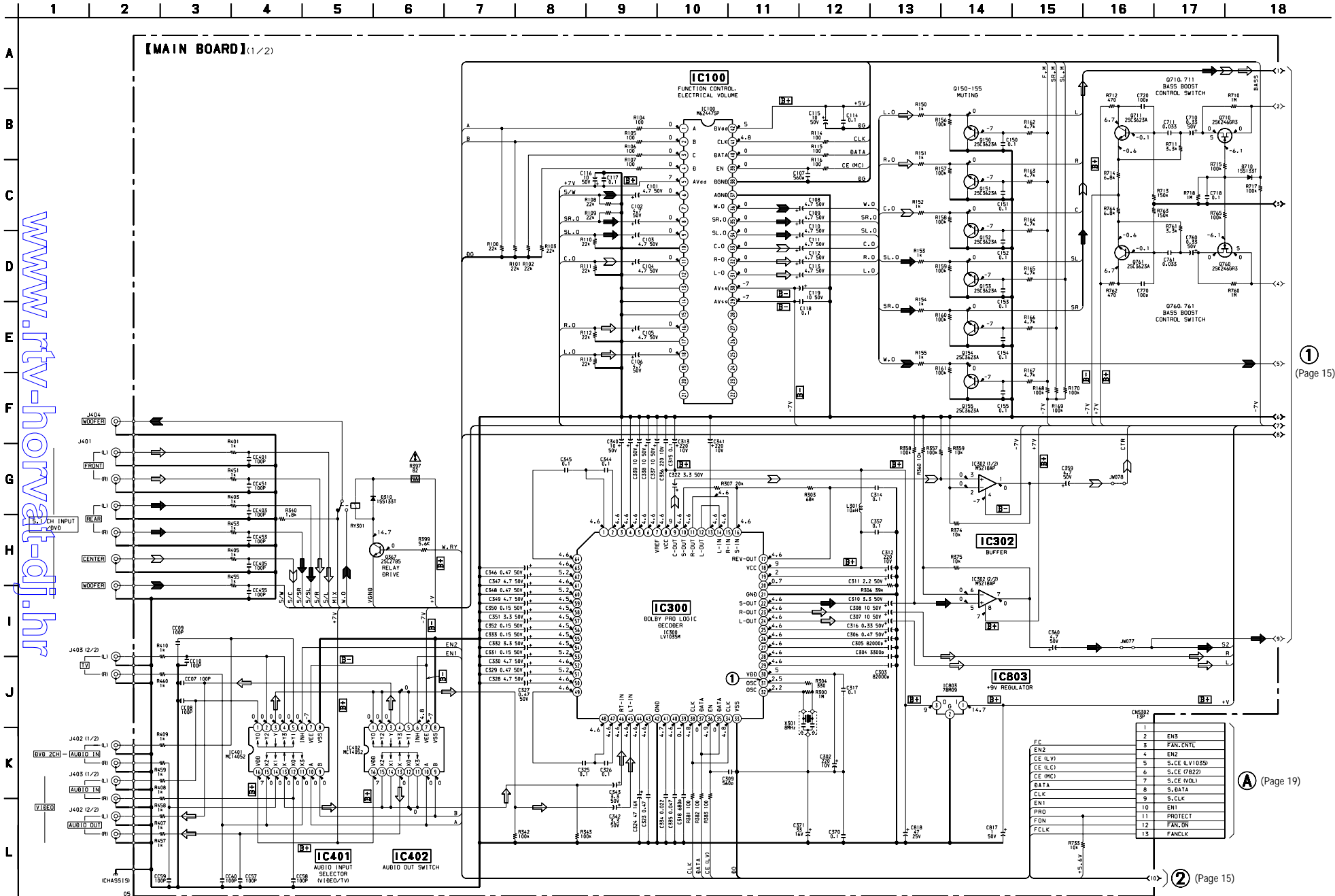


IC300 LV1035M



The components identified by mark Δ or dotted line with mark Δ are critical for safety. Replace only with part number specified.

4-3. SCHEMATIC DIAGRAM – MAIN Section (1/2) – • See page 8 for Waveform. • See page 9 for IC Block Diagrams.



www.rtv-horvat-dj.hr

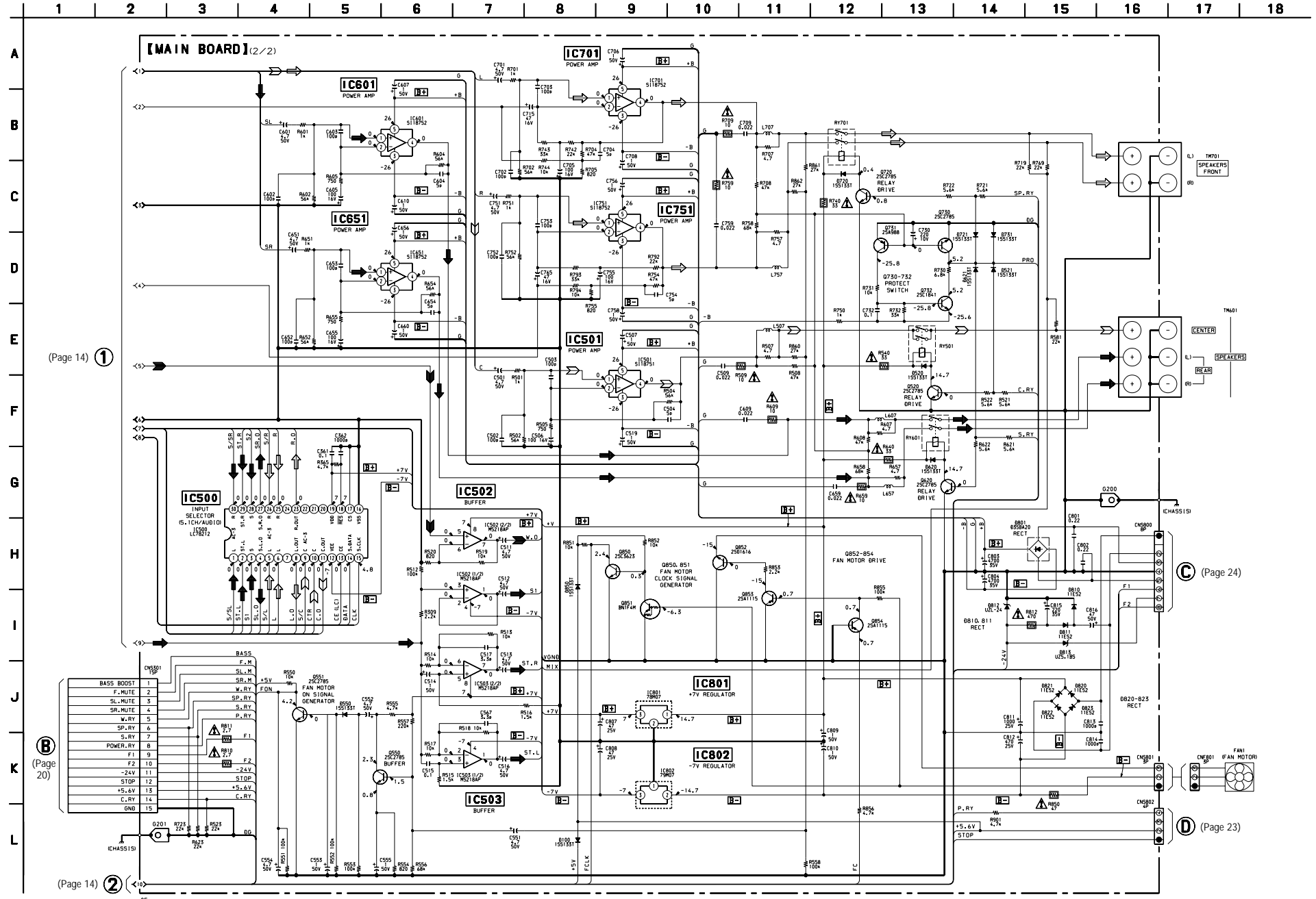
① (Page 15)

Ⓐ (Page 19)

② (Page 15)

The components identified by mark Δ or dotted line with mark Δ are critical for safety. Replace only with part number specified.

4-4. SCHEMATIC DIAGRAM – MAIN Section (2/2) – • See page 9 for IC Block Diagram.



www.rtv-horvat-dj.hr

(Page 14) ①

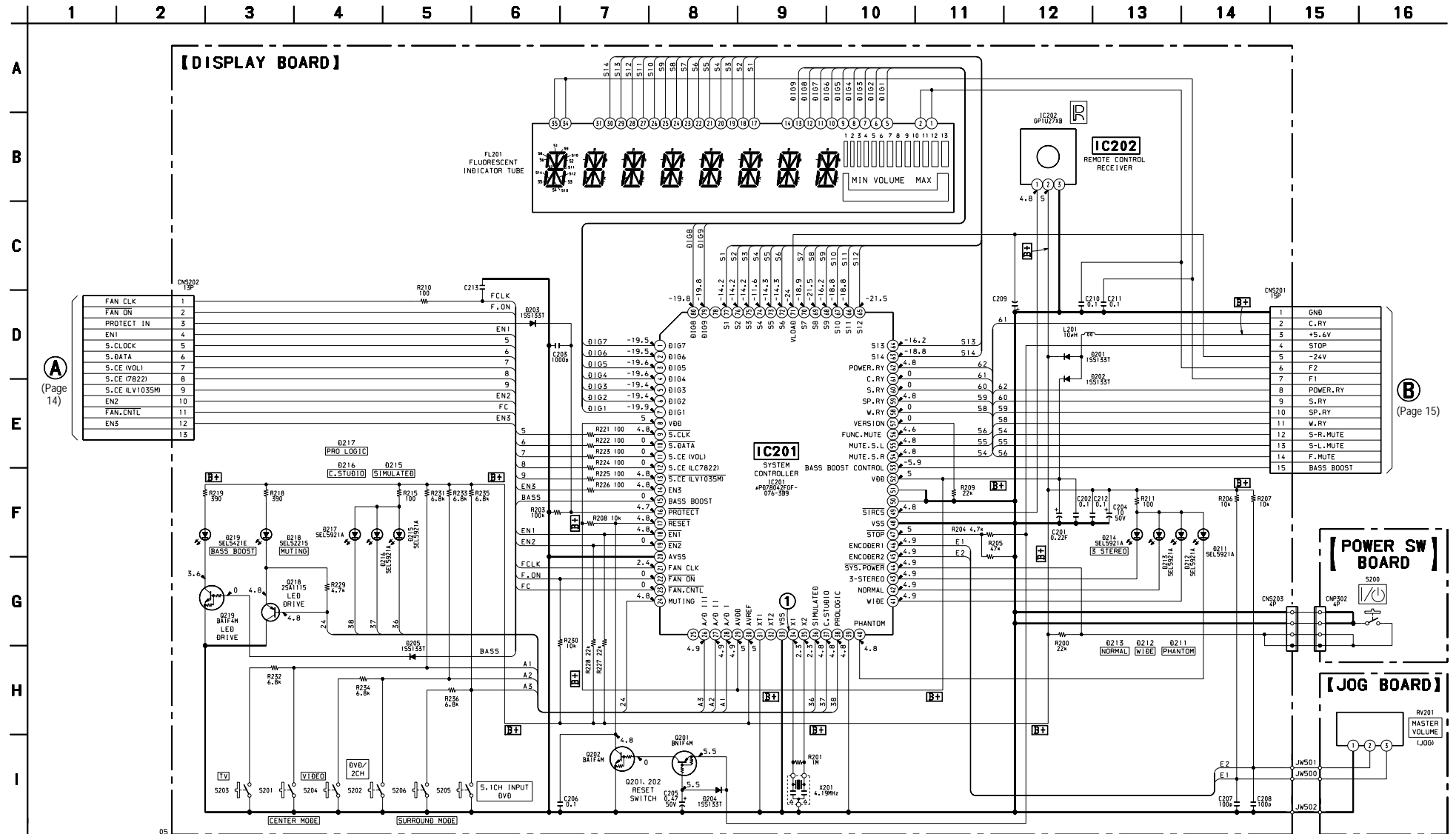
(Page 20) ②

(Page 24) ③

(Page 23) ④

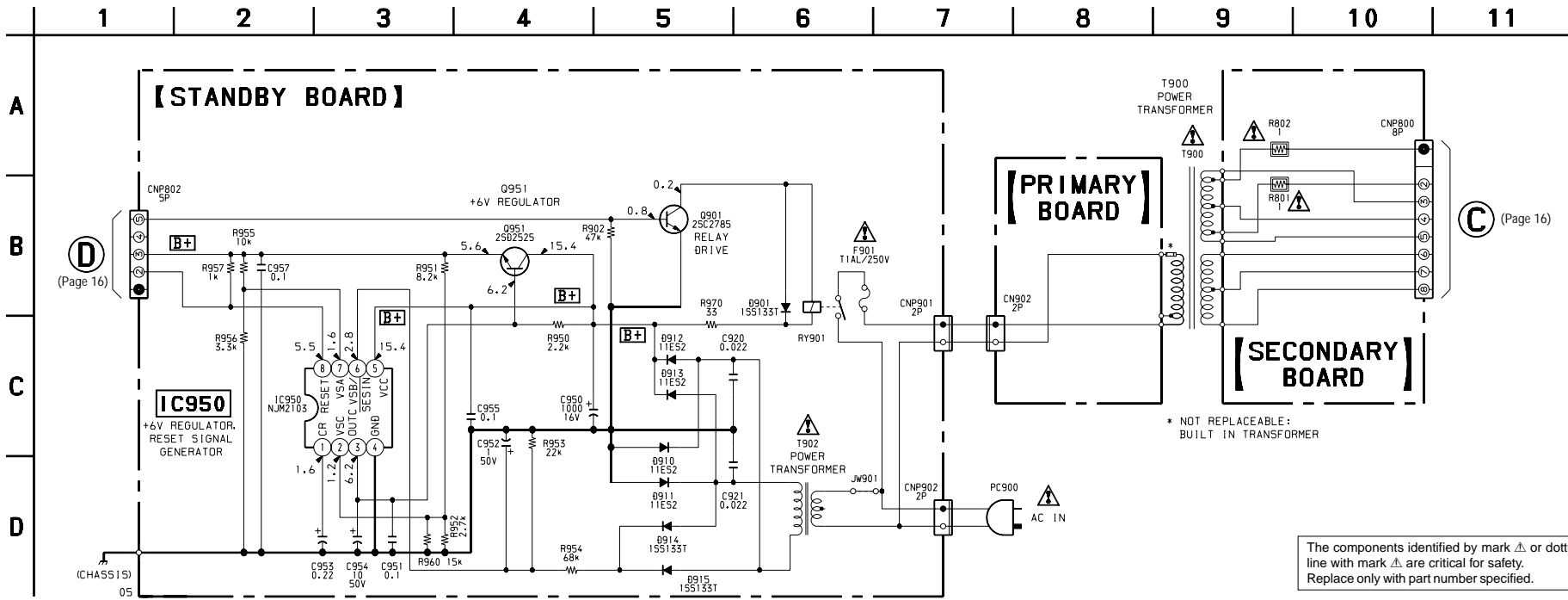
4-6. SCHEMATIC DIAGRAM – PANEL Section – • See page 8 for Waveform.

www.rtv-horvat-dj.hr



4-8. SCHEMATIC DIAGRAM – POWER Section – • See page 9 for IC Block Diagram.

www.rtv-horvat-dj.hr



The components identified by mark Δ or dotted line with mark Δ are critical for safety. Replace only with part number specified.

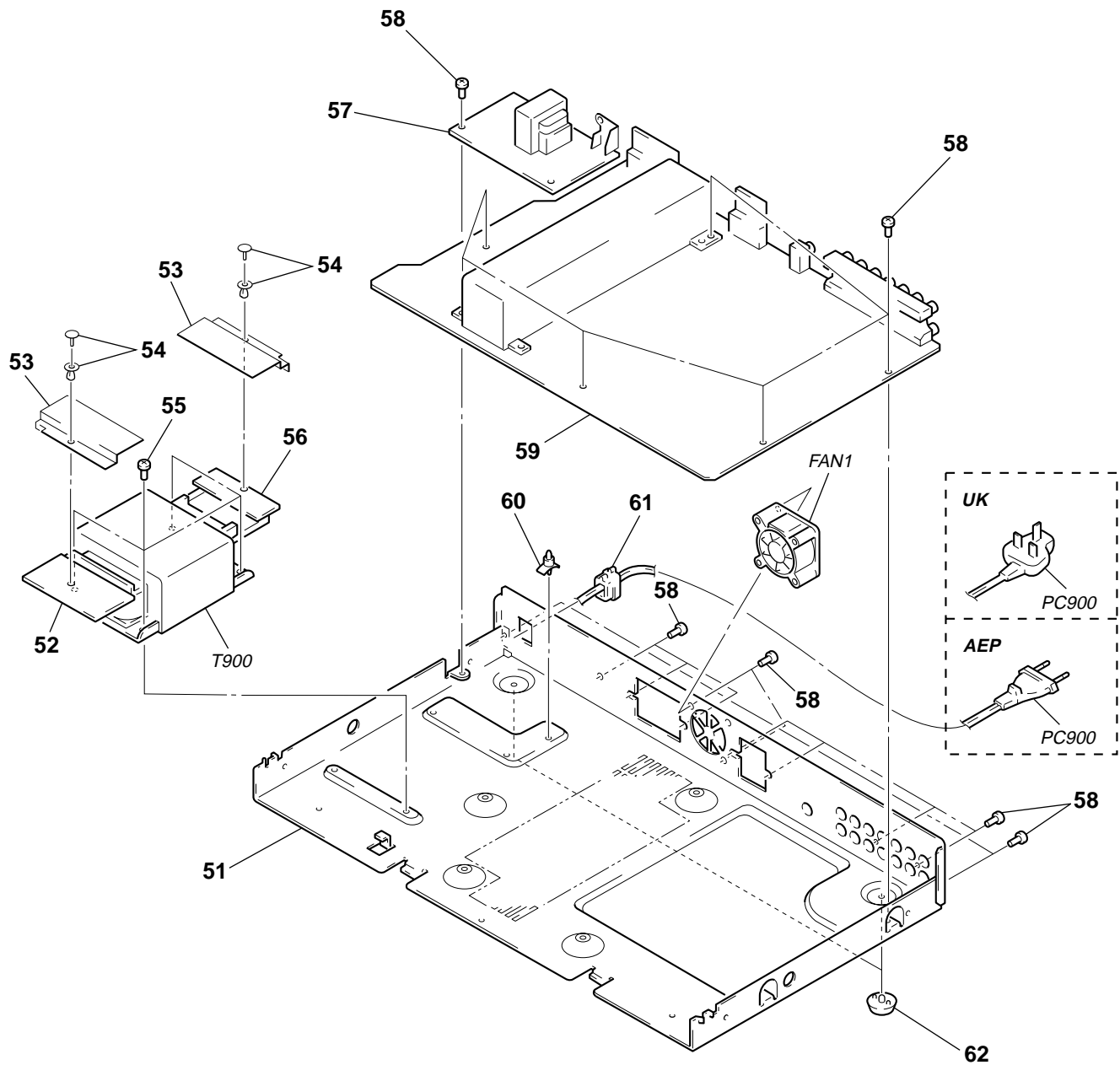
4-9. IC PIN FUNCTION DESCRIPTION

• DISPLAY BOARD IC201 μ PD78042FGF-076-3B9 (SYSTEM CONTROLLER, FL/LED DRIVER, KEY CONTROL)

Pin No.	Pin Name	I/O	Function
1 to 7	DIG7 to DIG1	O	Grid drive signal output to the fluorescent indicator tube (FL201)
8	VDD	—	Power supply terminal (+5V)
9	S. CLK	O	Serial data transfer clock signal output to the M62447SP (IC100), LV1035M (IC300) and LC7822 (IC500)
10	S. DATA	O	Serial data output to the M62447SP (IC100), LV1035M (IC300) and LC7822 (IC500)
11	S. CE (VOL)	O	Chip enable signal output to the M62447SP (IC100) "H" active
12	S. CE (LC7822)	O	Chip enable signal output to the LC7822 (IC500) "H" active
13	S. CE (LV1035M)	O	Chip enable signal output to the LV1035M (IC300) "H" active
14	EN3	O	Enable signal output terminal "L" active Not used
15	BASS BOOST	O	LED drive signal output of the BASS BOOST LED (D219) "H": LED on
16	PROTECT	I	Overload protection input terminal
17	RESET	I	System reset signal input from the reset signal generator circuit "L": reset For several hundreds msec. after the power supply rises, "L" is input, then it changes to "H"
18	EN1	O	Enable signal output to the function switch (IC402) "L" active
19	EN2	O	Enable signal output to the function switch (IC401) "L" active
20	AVSS	—	Ground terminal (for A/D converter)
21	FAN CLK	I	Fan motor clock signal input terminal
22	FAN ON	I	Fan on signal input for the fan motor drive
23	FAN. CNTL	O	Fan motor control signal output terminal "L": fan motor on
24	MUTING	O	LED drive signal output of the MUTING LED (D218) "H": LED on
25	—	I	Not used (open)
26	A/D III	I	Key input terminal (A/D input) S205, 206 (5.1 IN, SURROUND MODE keys input)
27	A/D II	I	Key input terminal (A/D input) S202, 204 (VIDEO, DVD keys input)
28	A/D I	I	Key input terminal (A/D input) S201, 203 (CENTER MODE, TV keys input)
29	AVDD	—	Power supply terminal (+5V) (for A/D converter)
30	AVREF	I	Reference voltage (+5V) input terminal (for A/D converter)
31	XT1	I	Sub system clock input terminal Not used (fixed at "L")
32	XT2	O	Sub system clock output terminal Not used (open)
33	VSS	—	Ground terminal
34	X1	I	Main system clock input terminal (4.19 MHz)
35	X2	O	Main system clock output terminal (4.19 MHz)
36	SIMULATED	O	LED drive signal output of the SIMULATED LED (D215) "L": LED on
37	C. STUDIO	O	LED drive signal output of the C.STUDIO LED (D216) "L": LED on
38	PROLOGIC	O	LED drive signal output of the PROLOGIC LED (D217) "L": LED on
39	—	I	Not used (fixed at "L")
40	PHANTOM	O	LED drive signal output of the PHANTOM LED (D211) "L": LED on
41	WIDE	O	LED drive signal output of the WIDE LED (D212) "L": LED on
42	NORMAL	O	LED drive signal output of the NORMAL LED (D213) "L": LED on
43	3-STEREO	O	LED drive signal output of the 3 STEREO LED (D214) "L": LED on
44	SYS. POWER	I	System power on/off switch (S200 I/Ⓞ) input terminal
45	ENCODER 2	I	Jog dial pulse input from the rotary encoder (RV201 MASTER VOLUME)
46	ENCODER 1	I	Jog dial pulse input from the rotary encoder (RV201 MASTER VOLUME)
47	STOP	I	Power down detection signal input from the NJM2103D (IC950) "L": power down
48	VSS	—	Ground terminal
49	SIRCS	I	Sircs signal input from the remote control receiver (IC202)
50, 51	—	I	Not used (fixed at "L")

Pin No.	Pin Name	I/O	Function
52	VDD	—	Power supply terminal (+5V)
53	BASS BOOST CONTROL	O	Bass boost on/off control signal output for the DBFB circuit “H”: bass boost on
54	MUTE. S. R	O	Line muting on/off control signal output for the rear speaker right channel signal “H”: muting on
55	MUTE. S. L	O	Line muting on/off control signal output for the rear speaker left channel signal “H”: muting on
56	FUNC. MUTE	O	Line muting on/off control signal output for the front and center speakers signal “H”: muting on
57	VERSION	I	Setting terminal for the version (fixed at “L” in this set)
58	W. RY	O	Woofer on/off relay drive signal output terminal “H”: relay on
59	SP. RY	O	Front speaker on/off relay drive signal output terminal (for protect) “H”: relay on
60	S. RY	O	Rear speaker on/off relay drive signal output terminal (for protect) “H”: relay on
61	C. RY	O	Center speaker on/off relay drive signal output terminal (for protect) “H”: relay on
62	POWER. RY	O	Power on/off relay drive signal output terminal “H”: relay on (power on)
63 to 70	S14 to S7	O	Segment drive signal output to the fluorescent indicator tube (FL201)
71	VLOAD	—	Power supply terminal (–24V) (for FL drive)
72 to 77	S6 to S1	O	Segment drive signal output to the fluorescent indicator tube (FL201)
78	—	O	Not used (open)
79, 80	DIG9, DIG8	O	Grid drive signal output to the fluorescent indicator tube (FL201)

(2) CHASSIS SECTION



The components identified by mark \triangle or dotted line with mark \triangle are critical for safety. Replace only with part number specified.

Ref. No.	Part No.	Description	Remark	Ref. No.	Part No.	Description	Remark
* 51	4-211-183-01	CHASSIS PANEL		* 59	A-4414-854-A	MAIN BOARD, COMPLETE	
* 52	1-670-639-11	SECONDARY BOARD		* 60	4-924-098-21	HOLDER, PC BOARD	
53	4-212-070-01	INSULATOR (PT)		* 61	3-703-244-00	BUSHING (2104), CORD	
54	3-531-576-11	RIVET		62	4-965-822-01	FOOT	
55	7-685-880-09	SCREW +BVTT 4X6 (S)		FAN1	1-763-137-11	FAN, DC	
* 56	1-670-638-11	PRIMARY BOARD		\triangle PC900	1-751-520-11	CORD, POWER (UK)	
* 57	A-4414-851-A	STANDBY BOARD, COMPLETE		\triangle PC900	1-777-071-21	CORD, POWER (AEP)	
58	7-685-646-79	SCREW +BVTP 3X8 TYPE2 N-S		\triangle T900	1-431-979-11	TRANSFORMER, POWER	

SECTION 6 ELECTRICAL PARTS LIST

DISPLAY

NOTE:

- Due to standardization, replacements in the parts list may be different from the parts specified in the diagrams or the components used on the set.
- -XX and -X mean standardized parts, so they may have some difference from the original one.
- **RESISTORS**
All resistors are in ohms.
METAL: Metal-film resistor.
METAL OXIDE: Metal oxide-film resistor.
F: nonflammable

- Items marked “*” are not stocked since they are seldom required for routine service. Some delay should be anticipated when ordering these items.
- **SEMICONDUCTORS**
In each case, u: μ , for example:
uA. . : μ A. . uPA. . : μ PA. .
uPB. . : μ PB. . uPC. . : μ PC. .
uPD. . : μ PD. .
- **CAPACITORS**
uF: μ F
- **COILS**
uH: μ H

The components identified by mark Δ or dotted line with mark Δ are critical for safety. Replace only with part number specified.

When indicating parts by reference number, please include the board.

Ref. No.	Part No.	Description	Remark	Ref. No.	Part No.	Description	Remark
*	A-4414-849-A	DISPLAY BOARD, COMPLETE *****				< IC >	
				IC201	8-759-546-41	IC uPD78042FGF-076-3B9	
*	4-921-941-01	CUSHION (FL)		IC202	8-759-332-18	IC GP1U27XB	
*	4-943-107-11	HOLDER (FL TUBE)				< COIL >	
		< CAPACITOR >		L201	1-410-509-11	INDUCTOR 10uH	
C201	1-125-486-11	DOUBLE LAYERS 0.22F	5.5V			< TRANSISTOR >	
C202	1-164-159-11	CERAMIC 0.1uF	50V				
C203	1-162-294-31	CERAMIC 0.001uF	10% 50V				
C204	1-124-261-00	ELECT 10uF	20% 50V	Q201	8-729-900-63	TRANSISTOR DTA124ES	
C205	1-124-465-00	ELECT 0.47uF	20% 50V	Q202	8-729-900-36	TRANSISTOR DTC124ES	
				Q218	8-729-119-76	TRANSISTOR 2SA1175-HFE	
C206	1-164-159-11	CERAMIC 0.1uF	50V	Q219	8-729-900-36	TRANSISTOR DTC124ES	
C207	1-162-282-31	CERAMIC 100PF	10% 50V			< RESISTOR >	
C208	1-162-282-31	CERAMIC 100PF	10% 50V	R200	1-249-433-11	CARBON 22K 5% 1/4W	
C210	1-164-159-11	CERAMIC 0.1uF	50V	R201	1-247-903-00	CARBON 1M 5% 1/4W	
C211	1-164-159-11	CERAMIC 0.1uF	50V	R203	1-249-441-11	CARBON 100K 5% 1/4W	
				R204	1-249-425-11	CARBON 4.7K 5% 1/4W	
C212	1-164-159-11	CERAMIC 0.1uF	50V	R205	1-249-437-11	CARBON 47K 5% 1/4W	
		< CONNECTOR >		R206	1-249-429-11	CARBON 10K 5% 1/4W	
* CNS201	1-569-306-11	SOCKET, CONNECTOR (L TYRE) 15P		R207	1-249-429-11	CARBON 10K 5% 1/4W	
CNS202	1-568-444-11	SOCKET, CONNECTOR 13P		R208	1-249-429-11	CARBON 10K 5% 1/4W	
* CNS203	1-565-480-11	CONNECTOR, BOARD TO BOARD 4P		R209	1-249-433-11	CARBON 22K 5% 1/4W	
		< DIODE >		R210	1-247-807-31	CARBON 100 5% 1/4W	
D201	8-719-911-19	DIODE 1SS119		R211	1-247-807-31	CARBON 100 5% 1/4W	
D202	8-719-911-19	DIODE 1SS119		R215	1-247-807-31	CARBON 100 5% 1/4W	
D203	8-719-911-19	DIODE 1SS119		R218	1-249-412-11	CARBON 390 5% 1/4W	
D204	8-719-911-19	DIODE 1SS119		R219	1-249-412-11	CARBON 390 5% 1/4W	
D205	8-719-911-19	DIODE 1SS119		R221	1-247-807-31	CARBON 100 5% 1/4W	
D211	8-719-046-36	LED SEL5921A-TP15 (PHANTOM)		R222	1-247-807-31	CARBON 100 5% 1/4W	
D212	8-719-046-36	LED SEL5921A-TP15 (WIDE)		R223	1-247-807-31	CARBON 100 5% 1/4W	
D213	8-719-046-36	LED SEL5921A-TP15 (NORMAL)		R224	1-247-807-31	CARBON 100 5% 1/4W	
D214	8-719-046-36	LED SEL5921A-TP15 (3 STEREO)		R225	1-247-807-31	CARBON 100 5% 1/4W	
D215	8-719-046-36	LED SEL5921A-TH15 (SIMULATED)		R226	1-247-807-31	CARBON 100 5% 1/4W	
D216	8-719-046-36	LED SEL5921A-TH15 (C. STUDIO)		R227	1-249-433-11	CARBON 22K 5% 1/4W	
D217	8-719-046-36	LED SEL5921A-TH15 (PRO LOGIC)		R228	1-249-433-11	CARBON 22K 5% 1/4W	
D218	8-719-046-44	LED SEL5221S (MUTING)		R229	1-249-425-11	CARBON 4.7K 5% 1/4W	
D219	8-719-046-43	LED SEL5421E-TP15 (BASS BOOST)		R230	1-249-429-11	CARBON 10K 5% 1/4W	
		< FLUORESCENT INDICATOR TUBE >		R231	1-249-427-11	CARBON 6.8K 5% 1/4W	
FL201	1-517-786-11	INDICATOR TUBE, FLUORESCENT		R232	1-249-427-11	CARBON 6.8K 5% 1/4W	
				R233	1-249-427-11	CARBON 6.8K 5% 1/4W	
				R234	1-249-427-11	CARBON 6.8K 5% 1/4W	
				R235	1-249-427-11	CARBON 6.8K 5% 1/4W	

DISPLAY	JOG	MAIN
----------------	------------	-------------

Ref. No.	Part No.	Description	Remark	Ref. No.	Part No.	Description	Remark
R236	1-249-427-11	CARBON	6.8K 5% 1/4W	C307	1-126-964-11	ELECT	10uF 20% 50V
		< SWITCH >		C308	1-126-964-11	ELECT	10uF 20% 50V
S201	1-762-875-21	SWITCH, KEYBOARD (CENTER MODE)		C309	1-162-291-31	CERAMIC	560PF 10% 50V
S202	1-762-875-21	SWITCH, KEYBOARD (DVD, 2CH)		C310	1-126-962-11	ELECT	3.3uF 20% 50V
S203	1-762-875-21	SWITCH, KEYBOARD (TV)		C311	1-126-961-11	ELECT	2.2uF 20% 50V
S204	1-762-875-21	SWITCH, KEYBOARD (VIDEO)		C312	1-126-934-11	ELECT	220uF 20% 10V
S205	1-762-875-21	SWITCH, KEYBOARD (5.1CH INPUT, DVD)		C313	1-126-934-11	ELECT	220uF 20% 10V
		< VIBRATOR >		C314	1-136-165-00	FILM	0.1uF 5% 50V
S206	1-762-875-21	SWITCH, KEYBOARD (SURROUND MODE)		C315	1-164-159-11	CERAMIC	0.1uF 20% 50V
		< VIBRATOR >		C316	1-124-252-00	ELECT	0.33uF 20% 50V
X201	1-577-101-11	VIBRATOR, CERAMIC (4.19MHz)		C317	1-164-159-11	CERAMIC	0.1uF 50V
		*****		C318	1-136-357-11	FILM	680PF 5% 50V
*	1-670-683-11	JOG BOARD		C322	1-126-962-11	ELECT	3.3uF 20% 50V
		*****		C323	1-136-173-00	FILM	0.47uF 5% 50V
		< ROTARY ENCODER >		C324	1-104-664-11	ELECT	47uF 20% 16V
RV201	1-475-886-11	ENCODER, ROTARY (MASTER VOLUME)		C325	1-136-165-00	FILM	0.1uF 5% 50V
		*****		C326	1-136-165-00	FILM	0.1uF 5% 50V
*	A-4414-854-A	MAIN BOARD, COMPLETE		C327	1-126-959-11	ELECT	0.47uF 20% 50V
		*****		C328	1-126-163-11	ELECT	4.7uF 20% 50V
	4-812-134-00	RIVET (DIA. 3.5), NYLON		C329	1-126-959-11	ELECT	0.47uF 20% 50V
	7-685-872-09	SCREW +BVTT 3X8 (S)		C330	1-126-163-11	ELECT	4.7uF 20% 50V
		< CAPACITOR >		C331	1-124-250-11	ELECT	0.15uF 20% 50V
C101	1-126-163-11	ELECT	4.7uF 20% 50V	C332	1-126-962-11	ELECT	3.3uF 20% 50V
C102	1-126-163-11	ELECT	4.7uF 20% 50V	C333	1-124-250-11	ELECT	0.15uF 20% 50V
C103	1-126-163-11	ELECT	4.7uF 20% 50V	C334	1-137-372-11	FILM	0.022uF 5% 50V
C104	1-126-163-11	ELECT	4.7uF 20% 50V	C335	1-136-161-00	FILM	0.047uF 5% 50V
C105	1-126-163-11	ELECT	4.7uF 20% 50V	C336	1-126-934-11	ELECT	220uF 20% 10V
C106	1-126-163-11	ELECT	4.7uF 20% 50V	C337	1-126-964-11	ELECT	10uF 20% 50V
C107	1-162-291-31	CERAMIC	560PF 10% 50V	C338	1-126-964-11	ELECT	10uF 20% 50V
C108	1-126-163-11	ELECT	4.7uF 20% 50V	C339	1-126-964-11	ELECT	10uF 20% 50V
C109	1-126-163-11	ELECT	4.7uF 20% 50V	C340	1-126-964-11	ELECT	10uF 20% 50V
C110	1-126-163-11	ELECT	4.7uF 20% 50V	C341	1-126-934-11	ELECT	220uF 20% 10V
C111	1-126-163-11	ELECT	4.7uF 20% 50V	C342	1-126-962-11	ELECT	3.3uF 20% 50V
C112	1-126-163-11	ELECT	4.7uF 20% 50V	C343	1-126-962-11	ELECT	3.3uF 20% 50V
C113	1-126-163-11	ELECT	4.7uF 20% 50V	C344	1-136-165-00	FILM	0.1uF 5% 50V
C114	1-164-159-11	CERAMIC	0.1uF 50V	C345	1-136-165-00	FILM	0.1uF 5% 50V
C115	1-126-964-11	ELECT	10uF 20% 50V	C346	1-126-959-11	ELECT	0.47uF 20% 50V
C116	1-126-964-11	ELECT	10uF 20% 50V	C347	1-126-163-11	ELECT	4.7uF 20% 50V
C117	1-164-159-11	CERAMIC	0.1uF 50V	C348	1-126-959-11	ELECT	0.47uF 20% 50V
C118	1-164-159-11	CERAMIC	0.1uF 50V	C349	1-126-163-11	ELECT	4.7uF 20% 50V
C119	1-126-964-11	ELECT	10uF 20% 50V	C350	1-124-250-11	ELECT	0.15uF 20% 50V
C150	1-164-159-11	CERAMIC	0.1uF 50V	C351	1-126-962-11	ELECT	3.3uF 20% 50V
C151	1-164-159-11	CERAMIC	0.1uF 50V	C352	1-124-250-11	ELECT	0.15uF 20% 50V
C152	1-164-159-11	CERAMIC	0.1uF 50V	C357	1-164-159-11	CERAMIC	0.1uF 50V
C153	1-164-159-11	CERAMIC	0.1uF 50V	C359	1-126-163-11	ELECT	4.7uF 20% 50V
C154	1-164-159-11	CERAMIC	0.1uF 50V	C360	1-126-163-11	ELECT	4.7uF 20% 50V
C155	1-164-159-11	CERAMIC	0.1uF 50V	C361	1-164-159-11	CERAMIC	0.1uF 50V
C302	1-126-934-11	ELECT	220uF 20% 10V	C362	1-162-294-31	CERAMIC	0.001uF 10% 50V
C303	1-130-494-11	MYLAR	0.082uF 5% 50V	C370	1-164-159-11	CERAMIC	0.1uF 50V
C304	1-137-367-11	FILM	0.0033uF 5% 50V	C371	1-126-966-11	ELECT	33uF 20% 16V
C305	1-130-494-11	MYLAR	0.082uF 5% 50V	C501	1-126-163-11	ELECT	4.7uF 20% 50V
C306	1-126-959-11	ELECT	0.47uF 20% 50V	C502	1-162-282-31	CERAMIC	100PF 10% 50V
				C503	1-162-282-31	CERAMIC	100PF 10% 50V
				C504	1-102-942-00	CERAMIC	5.0PF 0.5PF 50V
				C506	1-104-665-11	ELECT	100uF 20% 16V
				C507	1-126-160-11	ELECT	1uF 20% 50V
				C509	1-137-372-11	FILM	0.022uF 5% 50V
				C511	1-126-163-11	ELECT	4.7uF 20% 50V

Ref. No.	Part No.	Description	Remark	Ref. No.	Part No.	Description	Remark
C512	1-126-163-11	ELECT	4.7uF 20% 50V	C802	1-136-169-00	FILM 0.22uF 5% 50V	
C513	1-126-163-11	ELECT	4.7uF 20% 50V	C803	1-126-256-11	ELECT 4700uF 20% 35V	
C514	1-126-160-11	ELECT	1uF 20% 50V	C804	1-126-256-11	ELECT 4700uF 20% 35V	
C515	1-164-159-11	CERAMIC	0.1uF 50V	C807	1-104-664-11	ELECT 47uF 20% 25V	
C516	1-126-163-11	ELECT	4.7uF 20% 50V	C808	1-104-664-11	ELECT 47uF 20% 25V	
C517	1-162-193-31	CERAMIC	3.3PF 10% 50V	C809	1-126-160-11	ELECT 1uF 20% 50V	
C519	1-126-160-11	ELECT	1uF 20% 50V	C810	1-126-160-11	ELECT 1uF 20% 50V	
C551	1-126-163-11	ELECT	4.7uF 20% 50V	C811	1-126-942-61	ELECT 1000uF 20% 25V	
C552	1-126-163-11	ELECT	4.7uF 20% 50V	C812	1-126-941-11	ELECT 470uF 20% 25V	
C553	1-126-160-11	ELECT	1uF 20% 50V	C813	1-101-001-00	CERAMIC 0.001uF 50V	
C554	1-126-163-11	ELECT	4.7uF 20% 50V	C814	1-101-001-00	CERAMIC 0.001uF 50V	
C555	1-126-160-11	ELECT	1uF 20% 50V	C815	1-126-949-11	ELECT 220uF 20% 35V	
C567	1-162-193-31	CERAMIC	3.3PF 10% 50V	C816	1-126-967-11	ELECT 47uF 20% 50V	
C601	1-126-163-11	ELECT	4.7uF 20% 50V	C817	1-126-160-11	ELECT 1uF 20% 50V	
C602	1-162-282-31	CERAMIC	100PF 10% 50V	C818	1-104-664-11	ELECT 47uF 20% 25V	
C603	1-162-282-31	CERAMIC	100PF 10% 50V	CC07	1-162-282-31	CERAMIC 100PF 10% 50V	
C604	1-102-942-00	CERAMIC	5.0PF 0.5PF 50V	CC08	1-162-282-31	CERAMIC 100PF 10% 50V	
C605	1-104-665-11	ELECT	100uF 20% 16V	CC09	1-162-282-31	CERAMIC 100PF 10% 50V	
C607	1-126-160-11	ELECT	1uF 20% 50V	CC10	1-162-282-31	CERAMIC 100PF 10% 50V	
C609	1-137-372-11	FILM	0.022uF 5% 50V	CC57	1-162-282-31	CERAMIC 100PF 10% 50V	
C610	1-126-160-11	ELECT	1uF 20% 50V	CC58	1-162-282-31	CERAMIC 100PF 10% 50V	
C651	1-126-163-11	ELECT	4.7uF 20% 50V	CC59	1-162-282-31	CERAMIC 100PF 10% 50V	
C652	1-162-282-31	CERAMIC	100PF 10% 50V	CC60	1-162-282-31	CERAMIC 100PF 10% 50V	
C653	1-162-282-31	CERAMIC	100PF 10% 50V	CC401	1-162-282-31	CERAMIC 100PF 10% 50V	
C654	1-102-942-00	CERAMIC	5.0PF 0.5PF 50V	CC403	1-162-282-31	CERAMIC 100PF 10% 50V	
C655	1-104-665-11	ELECT	100uF 20% 16V	CC405	1-162-282-31	CERAMIC 100PF 10% 50V	
C656	1-126-160-11	ELECT	1uF 20% 50V	CC451	1-162-282-31	CERAMIC 100PF 0% 50V	
C659	1-137-372-11	FILM	0.022uF 5% 50V	CC453	1-162-282-31	CERAMIC 100PF 10% 50V	
C660	1-126-160-11	ELECT	1uF 20% 50V	CC455	1-162-282-31	CERAMIC 100PF 10% 50V	
C701	1-126-163-11	ELECT	4.7uF 20% 50V			< CONNECTOR >	
C702	1-162-282-31	CERAMIC	100PF 10% 50V	CNS301	1-569-321-11	SOCKET, CONNECTOR 15P	
C703	1-162-282-31	CERAMIC	100PF 10% 50V	CNS302	1-568-443-11	SOCKET, CONNECTOR 13P	
C704	1-102-942-00	CERAMIC	5.0PF 0.5PF 50V	CNS800	1-691-770-11	PLUG (MICRO CONNECTOR) 8P	
C705	1-104-665-11	ELECT	100uF 20% 16V	CNS801	1-564-506-11	PLUG, CONNECTOR 3P	
C706	1-126-160-11	ELECT	1uF 20% 50V	CNS802	1-770-479-11	PLUG,CONNECTOR PIN(PC BOARD)4P	
C708	1-126-160-11	ELECT	1uF 20% 50V			< DIODE >	
C709	1-137-372-11	FILM	0.022uF 5% 50V	D100	8-719-911-19	DIODE 1SS119	
C710	1-124-252-00	ELECT	0.33uF 20% 50V	D310	8-719-911-19	DIODE 1SS119	
C711	1-136-159-00	FILM	0.033uF 5% 50V	D520	8-719-911-19	DIODE 1SS119	
C715	1-104-664-11	ELECT	47uF 20% 16V	D521	8-719-911-19	DIODE 1SS119	
C718	1-164-159-11	CERAMIC	0.1uF 50V	D550	8-719-911-19	DIODE 1SS119	
C720	1-102-973-00	CERAMIC	100PF 5% 50V	D620	8-719-911-19	DIODE 1SS119	
C730	1-126-934-11	ELECT	220uF 20% 10V	D621	8-719-911-19	DIODE 1SS119	
C732	1-164-159-11	CERAMIC	0.1uF 50V	D710	8-719-911-19	DIODE 1SS119	
C751	1-126-163-11	ELECT	4.7uF 20% 50V	D720	8-719-911-19	DIODE 1SS119	
C752	1-162-282-31	CERAMIC	100PF 10% 50V	D721	8-719-911-19	DIODE 1SS119	
C753	1-162-282-31	CERAMIC	100PF 10% 50V	D731	8-719-911-19	DIODE 1SS119	
C754	1-102-942-00	CERAMIC	5.0PF 0.5PF 50V	D801	8-719-028-23	DIODE D3SBA20-4101	
C755	1-104-665-11	ELECT	100uF 20% 16V	D810	8-719-024-99	DIODE 11ES2-NTA2B	
C756	1-126-160-11	ELECT	1uF 20% 50V	D811	8-719-024-99	DIODE 11ES2-NTA2B	
C758	1-126-160-11	ELECT	1uF 20% 50V	D812	8-719-986-54	DIODE HZS24-1LTA	
C759	1-137-372-11	FILM	0.022uF 5% 50V	D813	8-719-109-85	DIODE RD5.1ES-B2	
C760	1-124-252-00	ELECT	0.33uF 20% 50V	D820	8-719-024-99	DIODE 11ES2-NTA2B	
C761	1-136-159-00	FILM	0.033uF 5% 50V	D821	8-719-024-99	DIODE 11ES2-NTA2B	
C765	1-104-664-11	ELECT	47uF 20% 16V	D822	8-719-024-99	DIODE 11ES2-NTA2B	
C770	1-102-973-00	CERAMIC	100PF 5% 50V	D823	8-719-024-99	DIODE 11ES2-NTA2B	
C801	1-136-169-00	FILM	0.22uF 5% 50V				

MAIN

Ref. No.	Part No.	Description	Remark	Ref. No.	Part No.	Description	Remark
D850	8-719-911-19	DIODE 1SS119		Q760	8-729-202-67	FET 2SK246-GR3	
		< EARTH TERMINAL >		Q761	8-729-141-30	TRANSISTOR 2SC3623A-LK	
* G200	1-537-738-21	TERMINAL, EARTH		Q850	8-729-141-30	TRANSISTOR 2SC3623A-LK	
* G201	1-537-738-21	TERMINAL, EARTH					
* G202	1-537-738-21	TERMINAL, EARTH		Q851	8-729-900-63	TRANSISTOR DTA124ES	
		< IC >		Q852	8-729-116-81	TRANSISTOR 2SD1616	
IC100	8-759-537-31	IC M62447SP		Q853	8-729-119-76	TRANSISTOR 2SA1175-HFE	
IC300	8-759-527-00	IC LV1035M		Q854	8-729-119-76	TRANSISTOR 2SA1175-HFE	
IC302	8-759-636-74	IC M5218AP-22				< RESISTOR >	
IC401	8-759-000-48	IC MC14052BCP		R100	1-249-433-11	CARBON 22K 5% 1/4W	
IC402	8-759-000-48	IC MC14052BCP		R101	1-249-433-11	CARBON 22K 5% 1/4W	
				R102	1-249-433-11	CARBON 22K 5% 1/4W	
IC500	8-759-545-64	IC LC78212		R103	1-249-433-11	CARBON 22K 5% 1/4W	
IC501	8-759-502-33	IC S118752		R104	1-247-807-31	CARBON 100 5% 1/4W	
IC502	8-759-636-74	IC M5218AP-22		R105	1-247-807-31	CARBON 100 5% 1/4W	
IC503	8-759-636-74	IC M5218AP-22		R106	1-247-807-31	CARBON 100 5% 1/4W	
IC601	8-759-502-33	IC S118752		R107	1-247-807-31	CARBON 100 5% 1/4W	
				R108	1-249-433-11	CARBON 22K 5% 1/4W	
IC651	8-759-502-33	IC S118752		R109	1-249-433-11	CARBON 22K 5% 1/4W	
IC701	8-759-502-33	IC S118752		R110	1-249-433-11	CARBON 22K 5% 1/4W	
IC751	8-759-502-33	IC S118752		R111	1-249-433-11	CARBON 22K 5% 1/4W	
IC801	8-759-605-00	IC M5F78M07L		R112	1-249-433-11	CARBON 22K 5% 1/4W	
IC802	8-759-604-95	IC M5F79M07L		R113	1-249-433-11	CARBON 22K 5% 1/4W	
				R114	1-247-807-31	CARBON 100 5% 1/4W	
IC803	8-759-701-59	IC NJM78M09FA		R115	1-247-807-31	CARBON 100 5% 1/4W	
		< JACK >		R116	1-247-807-31	CARBON 100 5% 1/4W	
J401	1-779-381-11	JACK, PIN 6P (5.1 CH INPUT/DVD)		R150	1-249-417-11	CARBON 1K 5% 1/4W	
J402	1-770-614-11	JACK, PIN 4P (VIDEO, DVD 2CH)		R151	1-249-417-11	CARBON 1K 5% 1/4W	
J403	1-770-613-11	JACK, PIN 4P (TV)		R152	1-249-417-11	CARBON 1K 5% 1/4W	
J404	1-774-843-11	JACK, PIN 1P (WOOFER)					
		< COIL >		R153	1-249-417-11	CARBON 1K 5% 1/4W	
L301	1-410-509-11	INDUCTOR 10uH		R154	1-249-417-11	CARBON 1K 5% 1/4W	
L507	1-420-872-00	COIL, AIR-CORE		R155	1-249-417-11	CARBON 1K 5% 1/4W	
L607	1-420-872-00	COIL, AIR-CORE		R156	1-249-441-11	CARBON 100K 5% 1/4W	
L657	1-420-872-00	COIL, AIR-CORE		R157	1-249-441-11	CARBON 100K 5% 1/4W	
L707	1-420-872-00	COIL, AIR-CORE					
L757	1-420-872-00	COIL, AIR-CORE		R158	1-249-441-11	CARBON 100K 5% 1/4W	
		< TRANSISTOR >		R159	1-249-441-11	CARBON 100K 5% 1/4W	
Q150	8-729-141-30	TRANSISTOR 2SC3623A-LK		R160	1-249-441-11	CARBON 100K 5% 1/4W	
Q151	8-729-141-30	TRANSISTOR 2SC3623A-LK		R161	1-249-441-11	CARBON 100K 5% 1/4W	
Q152	8-729-141-30	TRANSISTOR 2SC3623A-LK		R162	1-249-425-11	CARBON 4.7K 5% 1/4W	
Q153	8-729-141-30	TRANSISTOR 2SC3623A-LK		R163	1-249-425-11	CARBON 4.7K 5% 1/4W	
Q154	8-729-141-30	TRANSISTOR 2SC3623A-LK		R164	1-249-425-11	CARBON 4.7K 5% 1/4W	
Q155	8-729-141-30	TRANSISTOR 2SC3623A-LK		R165	1-249-425-11	CARBON 4.7K 5% 1/4W	
Q367	8-729-119-78	TRANSISTOR 2SC2785-HFE		R166	1-249-425-11	CARBON 4.7K 5% 1/4W	
Q520	8-729-119-78	TRANSISTOR 2SC2785-HFE		R167	1-249-425-11	CARBON 4.7K 5% 1/4W	
Q550	8-729-119-78	TRANSISTOR 2SC2785-HFE					
Q551	8-729-119-78	TRANSISTOR 2SC2785-HFE		R168	1-249-441-11	CARBON 100K 5% 1/4W	
Q620	8-729-119-78	TRANSISTOR 2SC2785-HFE		R169	1-249-441-11	CARBON 100K 5% 1/4W	
Q710	8-729-202-67	FET 2SK246-GR3		R170	1-249-441-11	CARBON 100K 5% 1/4W	
Q711	8-729-141-30	TRANSISTOR 2SC3623A-LK		R300	1-247-903-00	CARBON 1M 5% 1/4W	
Q720	8-729-119-78	TRANSISTOR 2SC2785-HFE		R303	1-249-439-11	CARBON 68K 5% 1/4W	
Q730	8-729-119-78	TRANSISTOR 2SC2785-HFE					
Q731	8-729-140-82	TRANSISTOR 2SA988-PAFAEA		R304	1-249-411-11	CARBON 330 5% 1/4W	
Q732	8-729-140-84	TRANSISTOR 2SC1841-PAFAEA		R306	1-249-436-11	CARBON 39K 5% 1/4W	
				R307	1-247-862-11	CARBON 20K 5% 1/4W	
				R309	1-249-421-11	CARBON 2.2K 5% 1/4W	
				R340	1-249-420-11	CARBON 1.8K 5% 1/4W	
				R342	1-249-441-11	CARBON 100K 5% 1/4W	
				R343	1-249-441-11	CARBON 100K 5% 1/4W	
				R357	1-249-441-11	CARBON 100K 5% 1/4W	
				R358	1-249-441-11	CARBON 100K 5% 1/4W	

Ref. No.	Part No.	Description	Remark	Ref. No.	Part No.	Description	Remark
R359	1-249-429-11	CARBON	10K 5% 1/4W	R605	1-247-828-11	CARBON	750 5% 1/4W
R360	1-249-429-11	CARBON	10K 5% 1/4W	R607	1-249-389-11	CARBON	4.7 5% 1/4W
R365	1-249-425-11	CARBON	4.7K 5% 1/4W	R608	1-249-437-11	CARBON	47K 5% 1/4W
R374	1-249-429-11	CARBON	10K 5% 1/4W	△R609	1-249-393-11	CARBON	10 5% 1/4W F
R375	1-249-429-11	CARBON	10K 5% 1/4W	R621	1-249-426-11	CARBON	5.6K 5% 1/4W
R381	1-247-807-31	CARBON	100 5% 1/4W	R622	1-249-426-11	CARBON	5.6K 5% 1/4W
R382	1-247-807-31	CARBON	100 5% 1/4W	R623	1-249-433-11	CARBON	22K 5% 1/4W
R383	1-247-807-31	CARBON	100 5% 1/4W	△R640	1-249-399-11	CARBON	33 5% 1/4W F
△R397	1-249-404-00	CARBON	82 5% 1/4W F	R651	1-249-417-11	CARBON	1K 5% 1/4W
R399	1-249-426-11	CARBON	5.6K 5% 1/4W	R652	1-249-438-11	CARBON	56K 5% 1/4W
R401	1-249-417-11	CARBON	1K 5% 1/4W	R654	1-249-438-11	CARBON	56K 5% 1/4W
R403	1-249-417-11	CARBON	1K 5% 1/4W	R655	1-247-828-11	CARBON	750 5% 1/4W
R405	1-249-417-11	CARBON	1K 5% 1/4W	R657	1-249-389-11	CARBON	4.7 5% 1/4W
R407	1-249-417-11	CARBON	1K 5% 1/4W	R658	1-249-439-11	CARBON	68K 5% 1/4W
R408	1-249-417-11	CARBON	1K 5% 1/4W	△R659	1-249-393-11	CARBON	10 5% 1/4W F
R409	1-249-417-11	CARBON	1K 5% 1/4W	R701	1-249-417-11	CARBON	1K 5% 1/4W
R410	1-249-417-11	CARBON	1K 5% 1/4W	R702	1-249-438-11	CARBON	56K 5% 1/4W
R451	1-249-417-11	CARBON	1K 5% 1/4W	R704	1-249-437-11	CARBON	47K 5% 1/4W
R453	1-249-417-11	CARBON	1K 5% 1/4W	R705	1-249-416-11	CARBON	820 5% 1/4W
R455	1-249-417-11	CARBON	1K 5% 1/4W	R707	1-249-389-11	CARBON	4.7 5% 1/4W
R457	1-249-417-11	CARBON	1K 5% 1/4W	R708	1-249-437-11	CARBON	47K 5% 1/4W
R458	1-249-417-11	CARBON	1K 5% 1/4W	△R709	1-249-393-11	CARBON	10 5% 1/4W F
R459	1-249-417-11	CARBON	1K 5% 1/4W	R710	1-247-903-00	CARBON	1M 5% 1/4W
R460	1-249-417-11	CARBON	1K 5% 1/4W	R711	1-247-843-11	CARBON	3.3K 5% 1/4W
R501	1-249-417-11	CARBON	1K 5% 1/4W	R712	1-249-413-11	CARBON	470 5% 1/4W
R502	1-249-438-11	CARBON	56K 5% 1/4W	R713	1-247-883-00	CARBON	150K 5% 1/4W
R504	1-249-438-11	CARBON	56K 5% 1/4W	R714	1-249-427-11	CARBON	6.8K 5% 1/4W
R505	1-247-828-11	CARBON	750 5% 1/4W	R715	1-249-441-11	CARBON	100K 5% 1/4W
R507	1-249-389-11	CARBON	4.7 5% 1/4W	R717	1-249-441-11	CARBON	100K 5% 1/4W
R508	1-249-437-11	CARBON	47K 5% 1/4W	R718	1-247-903-00	CARBON	1M 5% 1/4W
△R509	1-249-393-11	CARBON	10 5% 1/4W F	R719	1-249-433-11	CARBON	22K 5% 1/4W
R512	1-249-441-11	CARBON	100K 5% 1/4W	R721	1-249-426-11	CARBON	5.6K 5% 1/4W
R513	1-249-429-11	CARBON	10K 5% 1/4W	R722	1-249-426-11	CARBON	5.6K 5% 1/4W
R514	1-249-429-11	CARBON	10K 5% 1/4W	R723	1-249-433-11	CARBON	22K 5% 1/4W
R515	1-249-419-11	CARBON	1.5K 5% 1/4W	R730	1-249-427-11	CARBON	6.8K 5% 1/4W
R516	1-249-419-11	CARBON	1.5K 5% 1/4W	R731	1-249-429-11	CARBON	10K 5% 1/4W
R517	1-249-429-11	CARBON	10K 5% 1/4W	R732	1-249-435-11	CARBON	33K 5% 1/4W
R518	1-249-429-11	CARBON	10K 5% 1/4W	R733	1-249-429-11	CARBON	10K 5% 1/4W
R519	1-249-429-11	CARBON	10K 5% 1/4W	△R740	1-249-399-11	CARBON	33 5% 1/4W F
R520	1-249-416-11	CARBON	820 5% 1/4W	R742	1-249-433-11	CARBON	22K 5% 1/4W
R521	1-249-426-11	CARBON	5.6K 5% 1/4W	R743	1-249-435-11	CARBON	33K 5% 1/4W
R522	1-249-426-11	CARBON	5.6K 5% 1/4W	R744	1-249-429-11	CARBON	10K 5% 1/4W
R523	1-249-433-11	CARBON	22K 5% 1/4W	R750	1-249-417-11	CARBON	1K 5% 1/4W
△R540	1-249-399-11	CARBON	33 5% 1/4W F	R751	1-249-417-11	CARBON	1K 5% 1/4W
R550	1-249-429-11	CARBON	10K 5% 1/4W	R752	1-249-438-11	CARBON	56K 5% 1/4W
R551	1-249-441-11	CARBON	100K 5% 1/4W	R754	1-249-437-11	CARBON	47K 5% 1/4W
R552	1-249-441-11	CARBON	100K 5% 1/4W	R755	1-249-416-11	CARBON	820 5% 1/4W
R553	1-249-441-11	CARBON	100K 5% 1/4W	R757	1-249-389-11	CARBON	4.7 5% 1/4W
R554	1-249-416-11	CARBON	820 5% 1/4W	R758	1-249-439-11	CARBON	68K 5% 1/4W
R555	1-249-425-11	CARBON	4.7K 5% 1/4W	△R759	1-249-393-11	CARBON	10 5% 1/4W F
R556	1-249-439-11	CARBON	68K 5% 1/4W	R760	1-247-903-00	CARBON	1M 5% 1/4W
R557	1-247-887-00	CARBON	220K 5% 1/4W	R761	1-247-843-11	CARBON	3.3K 5% 1/4W
R558	1-249-441-11	CARBON	100K 5% 1/4W	R762	1-249-413-11	CARBON	470 5% 1/4W
R581	1-249-433-11	CARBON	22K 5% 1/4W	R763	1-247-883-00	CARBON	150K 5% 1/4W
R601	1-249-417-11	CARBON	1K 5% 1/4W	R764	1-249-427-11	CARBON	6.8K 5% 1/4W
R602	1-249-438-11	CARBON	56K 5% 1/4W	R765	1-249-441-11	CARBON	100K 5% 1/4W
R604	1-249-438-11	CARBON	56K 5% 1/4W	R769	1-249-433-11	CARBON	22K 5% 1/4W
				R792	1-249-433-11	CARBON	22K 5% 1/4W

MAIN	POWER SW	PRIMARY	SECONDARY	STANDBY
-------------	-----------------	----------------	------------------	----------------

Ref. No.	Part No.	Description	Remark
R793	1-249-435-11	CARBON 33K 5%	1/4W
R794	1-249-429-11	CARBON 10K 5%	1/4W
△R810	1-249-386-11	CARBON 2.7 5%	1/6W F
△R811	1-249-386-11	CARBON 2.7 5%	1/6W F
△R812	1-249-413-11	CARBON 470 5%	1/4W F
△R850	1-249-401-11	CARBON 47 5%	1/4W F
R851	1-249-429-11	CARBON 10K 5%	1/4W
R852	1-249-429-11	CARBON 10K 5%	1/4W
R853	1-249-421-11	CARBON 2.2K 5%	1/4W
R855	1-249-441-11	CARBON 100K 5%	1/4W
R856	1-249-425-11	CARBON 4.7K 5%	1/4W
R860	1-249-434-11	CARBON 27K 5%	1/4W
R861	1-249-434-11	CARBON 27K 5%	1/4W
R862	1-249-434-11	CARBON 27K 5%	1/4W
R901	1-249-425-11	CARBON 4.7K 5%	1/4W
< RELAY >			
RY301	1-755-267-11	RELAY	
RY501	1-515-921-11	RELAY (12V)	
RY601	1-515-921-11	RELAY (12V)	
RY701	1-515-921-11	RELAY (12V)	
< TERMINAL >			
TM601	1-537-510-11	TERMINAL BOARD (SPEAKER) (6P) (SPEAKERS, CENTER/REAR)	
TM701	1-537-240-11	TERMINAL BOARD (CHECKER PIN) (SPEAKERS, FRONT)	
< VIBRATOR >			
X301	1-579-952-11	VIBRATOR, CERAMIC (8MHz)	

*	1-670-635-11	POWER SW BOARD *****	
< CONNECTOR >			
* CNP203	1-565-295-11	PLUG, CONNECTOR 4P	
< SWITCH >			
S200	1-762-875-21	SWITCH, KEYBOARD (I/Ⓢ)	

*	1-670-638-11	PRIMARY BOARD *****	

*	1-670-639-11	SECONDARY BOARD *****	
< RESISTOR >			
△R801	1-249-381-11	CARBON 1 5%	1/4W F
△R802	1-249-381-11	CARBON 1 5%	1/4W F

*	A-4414-851-A	STANDBY BOARD, COMPLETE *****	
	1-533-293-11	FUSE HOLDER	

Ref. No.	Part No.	Description	Remark
< CAPACITOR >			
C920	1-161-494-00	CERAMIC 0.022uF	25V
C921	1-161-494-00	CERAMIC 0.022uF	25V
C950	1-126-767-11	ELECT 1000uF 20%	16V
C951	1-164-159-11	CERAMIC 0.1uF	50V
C952	1-126-960-11	ELECT 1uF 20%	50V
C953	1-124-464-11	ELECT 0.22uF 20%	50V
C954	1-126-964-11	ELECT 10uF 20%	50V
C955	1-164-159-11	CERAMIC 0.1uF	50V
C957	1-164-159-11	CERAMIC 0.1uF	50V
< CONNECTOR >			
CNP802	1-770-480-11	SOCKET, CONNECTOR PIN 4P	
CNP902	1-564-321-00	PIN, CONNECTOR 2P	
< DIODE >			
D901	8-719-911-19	DIODE 1SS119	
D910	8-719-024-99	DIODE 11ES2-NTA2B	
D911	8-719-024-99	DIODE 11ES2-NTA2B	
D912	8-719-024-99	DIODE 11ES2-NTA2B	
D913	8-719-024-99	DIODE 11ES2-NTA2B	
D914	8-719-911-19	DIODE 1SS119	
D915	8-719-911-19	DIODE 1SS119	
< FUSE >			
△F901	1-532-463-51	FUSE, TIME LAG (T1AL/250V)	
< IC >			
IC950	8-759-333-83	IC NJM2103D	
< TRANSISTOR >			
Q901	8-729-119-78	TRANSISTOR 2SC2785-HFE	
Q951	8-729-026-68	TRANSISTOR 2SD2525 (TP)	
< RESISTOR >			
R902	1-249-437-11	CARBON 47K 5%	1/4W
R950	1-249-421-11	CARBON 2.2K 5%	1/4W
R951	1-249-428-11	CARBON 8.2K 5%	1/4W
R952	1-249-422-11	CARBON 2.7K 5%	1/4W
R953	1-249-433-11	CARBON 22K 5%	1/4W
R954	1-249-439-11	CARBON 68K 5%	1/4W
R955	1-249-429-11	CARBON 10K 5%	1/4W
R956	1-247-843-11	CARBON 3.3K 5%	1/4W
R957	1-249-417-11	CARBON 1K 5%	1/4W
R960	1-249-431-11	CARBON 15K 5%	1/4W
R970	1-249-399-11	CARBON 33 5%	1/4W
< RELAY >			
RY901	1-755-018-11	RELAY	
< TRANSFORMER >			
△T902	1-450-358-11	TRANSFORMER, POWER *****	

The components identified by mark △ or dotted line with mark △ are critical for safety. Replace only with part number specified.

<u>Ref. No.</u>	<u>Part No.</u>	<u>Description</u>	<u>Remark</u>
		MISCELLANEOUS *****	
6	1-777-353-11	WIRE (FLAT TYPE) (15 CORE)	
8	1-769-973-11	WIRE (FLAT TYPE) (13 CORE)	
FAN1	1-763-137-11	FAN, DC	
△PC900	1-751-520-11	CORD, POWER (UK)	
△PC900	1-777-071-21	CORD, POWER (AEP)	
△T900	1-431-979-11	TRANSFORMER, POWER	

ACCESSORIES & PACKING MATERIALS

- 1-475-042-11 ADAPTOR (EURO SCART ADAPTOR)
- 1-475-808-11 REMOTE COMMANDER (RM-U150)
- 3-864-251-11 INSTRUCTION MANUAL
(ENGLISH, FRENCH, DUTCH, SWEDISH) (AEP)
- 3-864-251-21 INSTRUCTION MANUAL (GERMAN, SPANISH,
ITALIAN, PORTUGUESE) (AEP)
- 3-864-251-31 INSTRUCTION MANUAL (ENGLISH) (UK)
- 4-981-643-01 COVER, BATTERY (for RM-U150)