

IF SAW Filter Low-Loss 70MHz (BW=9 MHz)

Model: TB0213A

Part No: MA05392

REV NO.: 2

A. Maximum Rating:

1. Input Power Level: +20 dBm
2. Operating Temperature: -30°C to +80°C
3. Storage Temperature: -40°C to +85°C

B. Electrical Characteristics:

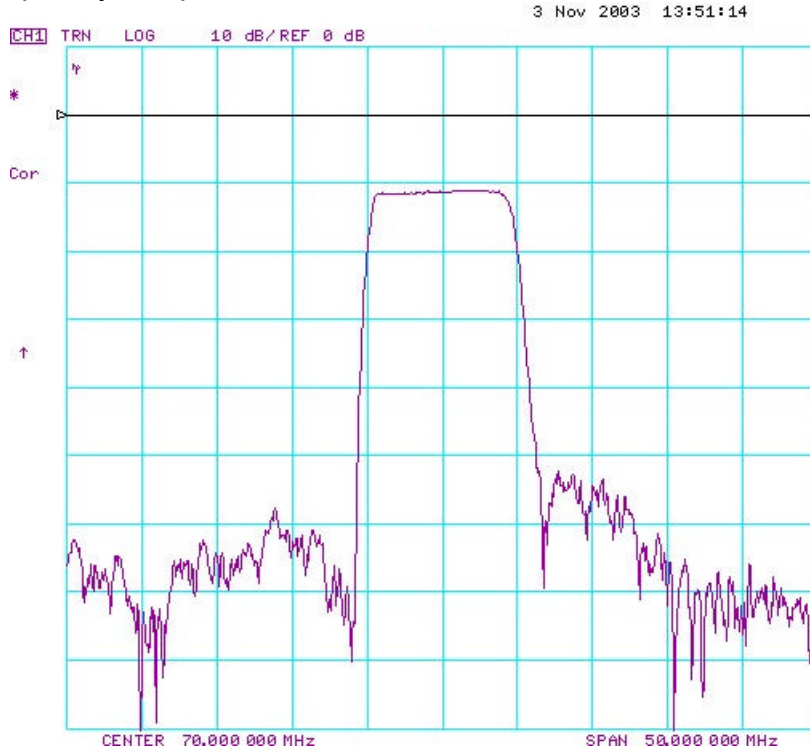
Parameters	Unit	Min.	Typical	Max.
Center frequency, Fc	MHz	69.8	70	70.2
Insertion Loss, IL	dB	-	10.7	11.5
1 dB Bandwidth	MHz	8.4	8.66	-
3 dB Bandwidth	MHz	9.0	9.31	-
35 dB Bandwidth	MHz	-	11.7	13.0
Relative Attenuation:				
10 to 64 MHz	dB	40	46	-
77 to 140 MHz	dB	40	42	-
Amplitude ripple within $F_c \pm 3.7$ MHz	dB	-	0.6	1.0
Group Delay ripple within $F_c \pm 3.7$ MHz	nsec	-	125	160
Substrate Material	-	-	YZ-LN	-
Temperature Coefficient of frequency	ppm/ °C	-	-94	-

IF SAW Filter Low-Loss 70MHz (BW=9 MHz)
Part No: MA05392

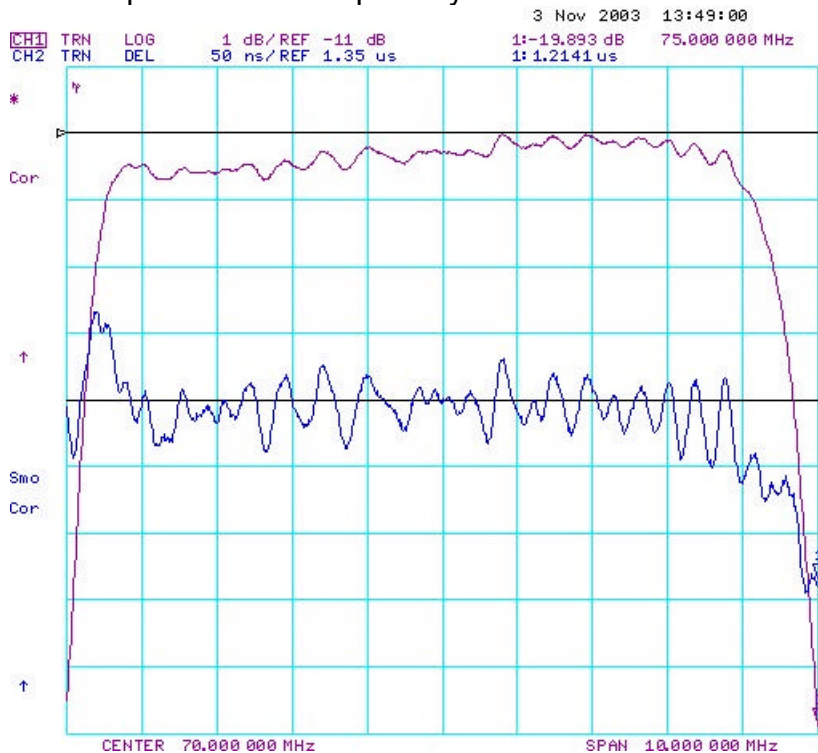
Model: TB0213A
REV NO.: 2

C. Frequency Characteristics:

(1) Frequency Response



(2) Passband response and Group Delay Variation



IF SAW Filter Low-Loss 70MHz (BW=9 MHz)

Model: TB0213A

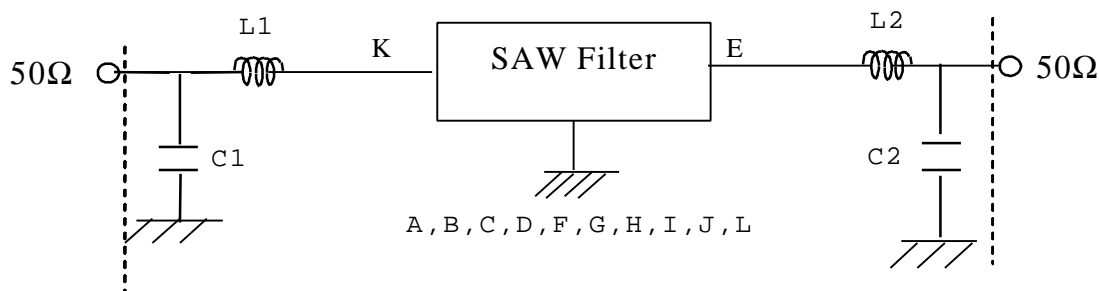
Part No: MA05392

REV NO.: 2

D. Measurement Circuit:

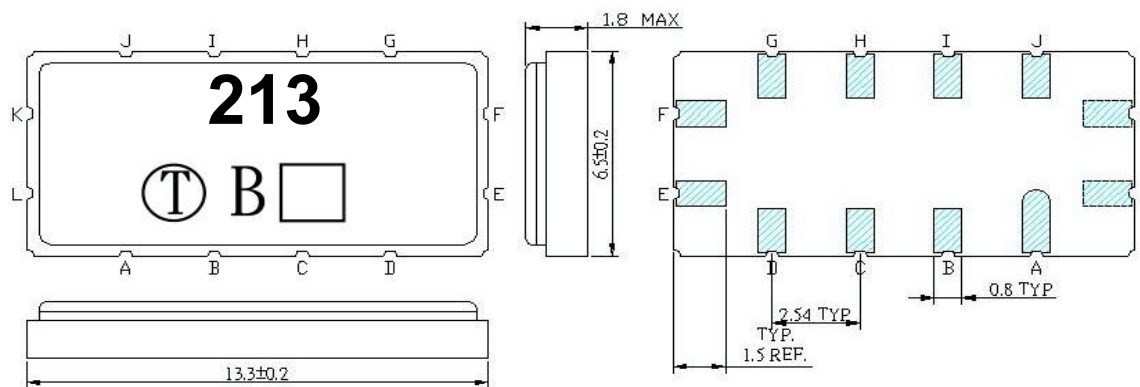
Source and load impedance: 50 Ω

Network analyzer



Input: L1=220 nH, Q>40; C1=36 pF
 Output: L2=220 nH, Q>40; C2=68 pF

E. Outline Drawing:



Unit: mm

Pin K: RF Input
 Pin E: RF Output
 Pin L: Input Ground

Pin F: Output Ground
 Pin A, B, C, D, G, H, I, J: To be Ground