

## PS/2<sup>®</sup> to USB Mouse Translator

Author: Reston Condit  
Microchip Technology Inc.

### OVERVIEW

This Technical Brief details the translation of a PS/2<sup>®</sup> mouse to a USB mouse using the PIC16C745/765. The PIC16C745/765 is Microchip's low-speed USB microcontroller. All of the USB descriptors for the mouse translator are listed in the tables in **Appendix A: "Device Descriptors"**. A detailed byte-by-byte description is given for each descriptor to assist USB peripheral designers in understanding USB descriptors. For the basics of USB descriptors, refer to TB054, "An Introduction to USB Descriptors with a Game Port to USB Game Pad Translator Example".

**Note:** This Technical Brief is the second in a series of five technical briefs. This series is meant to familiarize developers with USB. For the best understanding of USB, read the briefs in order: TB054, TB055, TB056, TB057 and TB058.

### IMPLEMENTATION

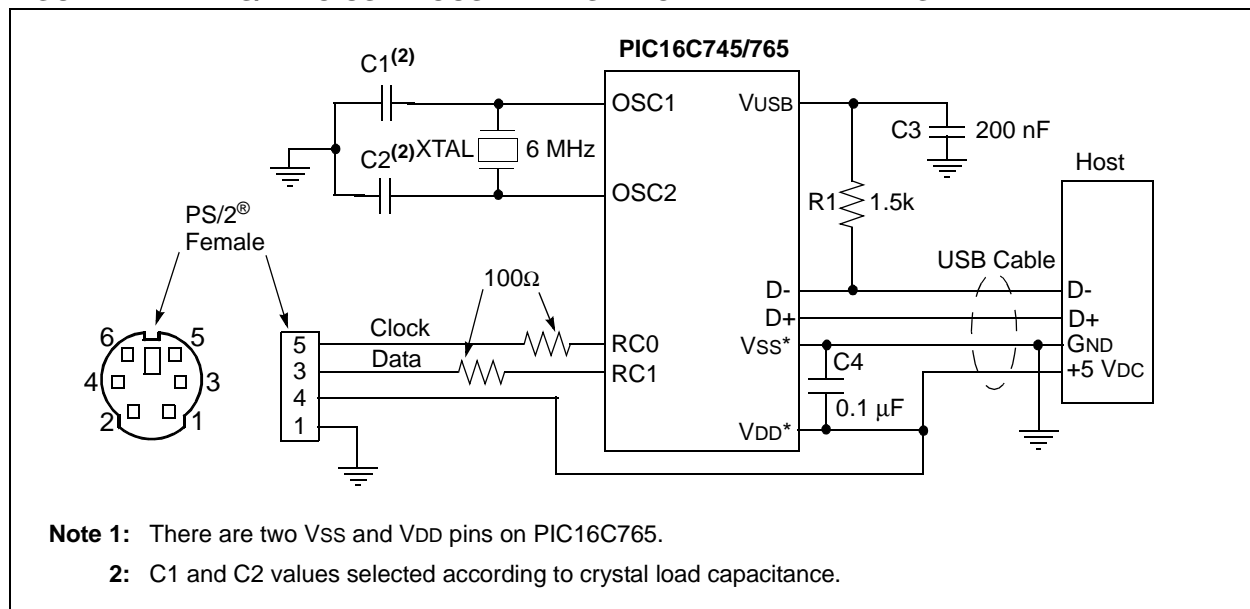
#### Hardware

The PS/2 port is a 6-pin DIN. Only four pins are used:

- Ground
- Power
- Clock
- Data

The power and ground pins are tied directly to VDD and VSS of the microcontroller. The clock and data pins are connected to RC0 and RC1, respectively, via current limiting resistors. The clock is driven by the PS/2 mouse regardless of the direction of the transaction. Figure 1 shows the complete system.

**FIGURE 1: PS/2<sup>®</sup> TO USB MOUSE TRANSLATOR HARDWARE DIAGRAM<sup>(1)</sup>**



## Software

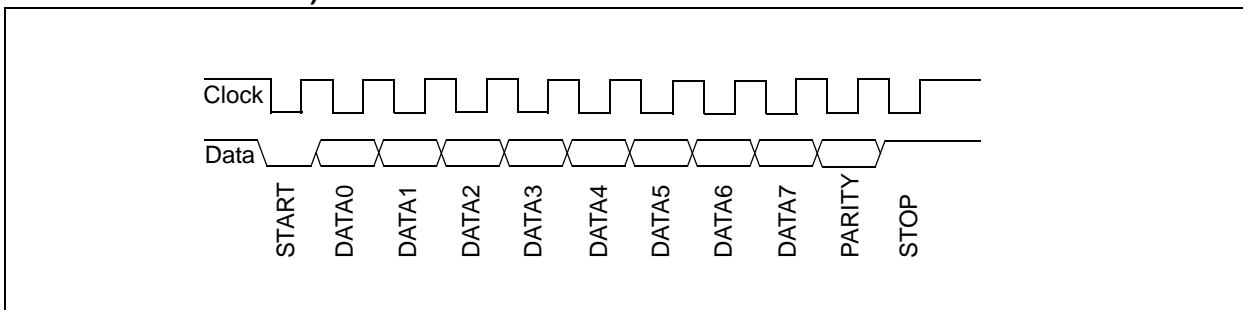
### PS/2 DATA FORMAT

Before explaining how PS/2 mouse data is translated to USB, it is necessary to touch upon the PS/2 data format. Data is sent via PS/2 one byte at a time regardless of direction, host-to-device or vice-versa. The data has the following form:

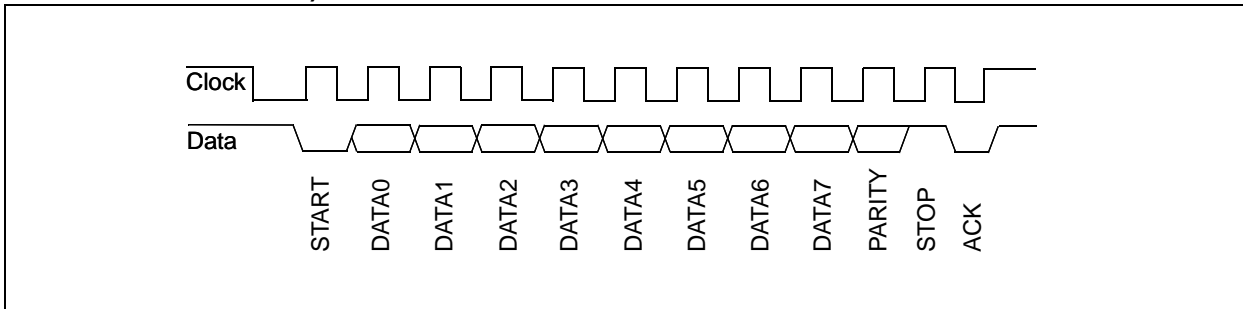
- Start bit (always low)
- Data byte (Least Significant bit to Most Significant bit)
- Parity bit (high for an even number of high bits in the data byte and low for an odd number)
- Stop bit (always high)

In the case of host-to-device communication, the Stop bit is immediately followed by an ACK bit (low), which is sent by the device to the host. The bits are read on the falling edge of the clock for device-to-host communication and on the rising edge for host-to-device communication. In the Idle state, the clock and data lines are held high by the device. See Figure 2 and Figure 4 for device-to-host and host-to-device communication, respectively.

**FIGURE 2: DEVICE-TO-HOST COMMUNICATION (DATA BIT READ ON FALLING EDGE OF CLOCK)**



**FIGURE 3: HOST-TO-DEVICE COMMUNICATION (DATA BIT READ ON FALLING EDGE OF CLOCK)**



### INTERRUPT SERVICE ROUTINE

The portion of the firmware that deals with PS/2 reception and translation is entirely interrupt driven. An interrupt is generated when the PS/2 Start bit is received from the mouse. At this point, the receive routine is initiated. In addition to this interrupt, every 683  $\mu$ s, a timer overflow interrupts the normal program flow and implements one state of the mouse state machine. This state machine handles sending bytes to and translating bytes received from the PS/2 mouse. These two interrupts essentially handle everything, except for transferring the translated PS/2 data to the PC via USB.

Table 1 and Table 2 show the PS/2 and USB mouse report formats respectively. They are nearly identical so a very short and simple routine translates the PS/2 mouse data format to the USB mouse data format. Table 2 corresponds directly to the report format information described by the report descriptor. The mouse report descriptor is listed in **Appendix A: "Device Descriptors"**.

**TABLE 1: PS/2® MOUSE REPORT**

Byte	Bit	Description
3	7	MSB of Y Data
	6-1	Y Data
	0	LSB of Y Data
2	7	MSB of X Data
	6-1	X Data
	0	LSB of X Data
1	7	Y Data Overflow, 1 = overflow
	6	X Data Overflow, 1 = overflow
	5	Y Data Sign, 1 = negative
	4	X Data Sign, 1 = negative
	3	Reserved
	2	Reserved
	1	Right Button Status, 1 = pressed
	0	Left Button Status, 1 = pressed

**TABLE 2: USB MOUSE REPORT**

Byte	Bit	Description
3	7	MSB of Y Data
	6-1	Y Data
	0	LSB of Y Data
2	7	MSB of X Data
	6-1	X Data
	0	LSB of X Data
1	7	Reserved
	6	Reserved
	5	Reserved
	4	Reserved
	3	Reserved
	2	Third Button Status, 1 = pressed
	1	Right Button Status, 1 = pressed
	0	Left Button Status, 1 = pressed

## MAIN LOOP

The main loop of the firmware sends USB mouse data to the host. This is done with the use of the `PutEP1` function. `PutEP1` loads the EP1 IN buffer with the USB mouse data. Special Function Register (SFR) `BC1IAL` is the address pointer to the EP1 IN buffer. After the bytes are loaded into the buffer, the `UOWN` bit (`BD1IST<7>`) is set so that the SIE will send the bytes to the host the next time the host polls the device.

A closer look at the source code and endpoint descriptor reveals that `PutEP1` sends four bytes to the host instead of three, the number of bytes specified in the report descriptor. If only three bytes are sent, the mouse will never move the cursor. The reason for this stems from the fact that a mouse is a boot device. Since the mouse is such a commonly used peripheral, the host requires a standard length report of four bytes. Therefore, in the mouse example, a null fourth byte is sent with the three data bytes.

## REFERENCES

1. USB Specification, Version 1.1: Chapter 9 (located at [www.usb.org](http://www.usb.org))
2. Device Class Definition for Human Interface Devices (located at [www.usb.org](http://www.usb.org))
3. HID Usage Tables (located at [www.usb.org](http://www.usb.org))
4. USB Firmware User's Guide (located in USB Support Firmware zip file at [www.microchip.com](http://www.microchip.com))
5. USB Complete, *Second Edition*, Jan Axelson; Lakeview Research, 2001 ([www.lvr.com](http://www.lvr.com))
6. TB054: *An Introduction to USB Descriptors with a Game Port to USB Game Pad Translator* (DS91054)
7. TB056: *Demonstrating the Set\_Report Request with a PS/2® to USB Keyboard Translator Example* (DS91056)
8. TB057: *USB Combination Devices Demonstrated by a Combination Mouse and Game Pad device* (DS91057)
9. TB058: *Demonstrating the Soft Detect Function with a PS/2® to USB Translator Example* (DS91058)

## APPENDIX A: DEVICE DESCRIPTORS

Chapter 9 of the USB Specification, V 1.10, defines the standard descriptors (Device, Configuration, Interface, Endpoint and String Descriptors.) The HID Class Definition defines the HID descriptors (HID and Report).

**TABLE 3: DEVICE DESCRIPTORS**

Offset	Field	Size	Description	Value for Mouse
0	bLength	1	Size of descriptor in bytes	0x12
1	bDescriptorType	1	Descriptor type (DEVICE = 1)	0x01
2	bcdUSB	2	USB specification release (Ver 1.10 = 0x0110)	0x0110
4	bDeviceClass	1	Class code (this field is zero if every interface specifies its own class information)	0x00
5	bDeviceSubClass	1	Subclass code (if the class code is zero this must be zero)	0x00
6	bDeviceProtocol	1	Protocol code (zero if it does not use a class-specific protocols on a device level)	0x00
7	bMaxPacketSize0	1	Maximum packet size (eight for low speed)	0x08
8	idVendor	2	Vendor ID (assigned by the USB-IF)	0x04D8
10	idProduct	2	Product ID (assigned by the manufacture)	0x0001
12	bcdDevice	2	Device release number in binary-coded decimal	0x0441
14	iManufacturer	1	Index of string descriptor describing manufacturer (String 1 is "Microchip")	0x01
15	iProduct	1	Index of string descriptor describing product (String 2 is "PIC16C745/765 USB Mouse")	0x02
16	iSerialNumber	1	Index of string descriptor describing the serial number (none)	0x00
17	bNumConfigurations	1	Number of possible configurations	0x01

**TABLE 4: CONFIGURATION DESCRIPTOR**

Offset	Field	Size	Description	Value for Mouse
0	bLength	1	Size of descriptor in bytes	0x09
1	bDescriptorType	1	Descriptor type (CONFIGURATION = 2)	0x02
2	bTotalLength	2	Total length of data returned for this configuration (For the mouse example this is the combined length of the configuration, interface, HID and endpoint descriptors)	0x0022
4	bNumInterfaces	1	Number of interfaces supported by this configuration	0x01
5	bConfigurationValue	1	Value to use as an argument to the Set Configuration() request to select this configuration	0x01
6	iConfiguration	1	Index of string descriptor describing this configuration (String 4 is "Cfg1")	0x04
7	bmAttributes	1	Configuration characteristics Bit 7: Always one Bit 6: Self-powered Bit 5: Remote wake-up Bits 4..0: Zero	0xA0
8	bMaxPower	1	Maximum power consumption expressed in 2 mA units (in this case 50 = 100 ma)	0x32

**TABLE 5: INTERFACE DESCRIPTOR**

Offset	Field	Size	Description	Value for Mouse
0	bLength	1	Size of descriptor in bytes	0x09
1	bDescriptorType	1	Descriptor type (INTERFACE = 4)	0x04
2	bInterfaceNumber	1	Number of this interface (zero based array)	0x00
3	bAlternateSetting	1	Value used to select this alternate setting for the interface identified in the prior field (there is no alternate setting for this mouse)	0x00
4	bNumEndpoints	1	Number of endpoints used by this interface	0x01
5	bInterfaceClass	1	Class code (assigned by the USB-IF)	0x03
6	bInterfaceSubClass	1	Subclass code (bootdevice = 1)	0x01
7	bInterfaceSubProtocol	1	Protocol code (mouse = 2)	0x02
8	iInterface	1	Index of string descriptor describing this interface (String 5 is "EP1 IN")	0x05

**TABLE 6: HUMAN INTERFACE DEVICE (HID) DESCRIPTOR**

Offset	Field	Size	Description	Value for Mouse
0	bLength	1	Size of descriptor in bytes	0x09
1	bDescriptorType	1	Descriptor type (HID = 21)	0x21
2	bcdHID	2	HID class specification release (Ver 1.00 = 0x0100)	0x0100
4	bCountryCode	1	Country code of localized hardware	0x00
5	bNumDescriptors	1	Number of HID class descriptors	0x01
6	bDescriptorType	1	Type of class descriptor (REPORT = 22)	0x22
7	bDescriptorLength	2	Total size of report descriptor	0x0032

**TABLE 7: ENDPOINT DESCRIPTOR**

Offset	Field	Size	Description	Value for Mouse
0	bLength	1	Size of descriptor in bytes	0x07
1	bDescriptorType	1	Descriptor type (ENDPOINT = 5)	0x05
2	bEndpointAddress	1	Endpoint characteristics Bits 3...0: Always one Bits 6...4: Self-powered Bit 7: Remote wake-up 0 = OUT endpoint 1 = IN endpoint	0x81
3	bmAttributes	1	Endpoint's attributes Bits 1...0: Transfer Type 00 = Control 01 = Isochronous 10 = Bulk 11 = Interrupt Bits 7...2: Always zero for low speed	0x03
4	wMaxPacketSize	2	Maximum packet size Bits 10...0: Maximum packet size in bytes Bits 12...11: Number of additional transaction opportunities per microframe 00 = None 01 = 1 additional 10 = 2 additional 11 = Reserved	0x0004
6	bInterval	1	Interval for polling endpoint for data transfer (in 1 ms increments for low speed devices)	0x0A

**FIGURE 4: REPORT DESCRIPTOR**

0x05, 0x01	usage page (generic desktop)	<i>Choose the usage page "mouse" is on</i>
0x09, 0x02	usage (mouse)	<i>Device is a mouse</i>
0xA1, 0x01	collection (application)	<i>This collection encompasses the report format</i>
0x09, 0x01	usage (pointer)	<i>Choose the key code usage page</i>
0xA1, 0x00	collection (physical)	<i>Physical collection</i>
0x05, 0x09	usage page (buttons)	<i>Choose the "button" usage page</i>
0x19, 0x01	usage minimum (1)	<i>There are three buttons</i>
0x29, 0x03	usage maximum (3)	
0x15, 0x00	logical minimum (0)	<i>Each button is represented by one bit</i>
0x25, 0x01	logical maximum (1)	
0x95, 0x03	report count (3)	<i>Three reports, one bit each</i>
0x75, 0x01	report size (1)	
0x81, 0x02	input (data, variable, absolute)	<i>Defined bits above are data bits</i>
0x95, 0x01	report count (1)	<i>One report, five bits in length</i>
0x75, 0x05	report size (5)	
0x81, 0x01	input (constant)	<i>Bit stuff to fill byte</i>
0x05, 0x01	usage page (generic desktop)	<i>Choose the usage page "X" and "Y" are on</i>
0x09, 0x30	usage (X)	<i>X direction of pointer</i>
0x09, 0x31	usage (Y)	<i>Y direction of pointer</i>
0x15, 0x81	logical minimum (-127)	<i>Range of report data is -127 to 127</i>
0x25, 0x7F	logical maximum (127)	
0x75, 0x08	report size (8)	<i>Two reports, eight bits each</i>
0x95, 0x03	report count (2)	
0x81, 0x06	input (data, variable, absolute)	<i>Defined bits above are data bits</i>
0xC0	end collection	<i>End physical collection</i>
0xC0	end collection	<i>End application collection</i>

# TB055

---

## APPENDIX B: SOURCE CODE

Due to the length of the source code for the PS/2 to USB Mouse Translator, the source code is available separately. The complete source code is available as a single WinZip archive file, `tb055sc.zip`, which may be downloaded from the Microchip corporate web site at:

[www.microchip.com](http://www.microchip.com)



---

---

**Note the following details of the code protection feature on Microchip devices:**

- Microchip products meet the specification contained in their particular Microchip Data Sheet.
- Microchip believes that its family of products is one of the most secure families of its kind on the market today, when used in the intended manner and under normal conditions.
- There are dishonest and possibly illegal methods used to breach the code protection feature. All of these methods, to our knowledge, require using the Microchip products in a manner outside the operating specifications contained in Microchip's Data Sheets. Most likely, the person doing so is engaged in theft of intellectual property.
- Microchip is willing to work with the customer who is concerned about the integrity of their code.
- Neither Microchip nor any other semiconductor manufacturer can guarantee the security of their code. Code protection does not mean that we are guaranteeing the product as "unbreakable."

Code protection is constantly evolving. We at Microchip are committed to continuously improving the code protection features of our products. Attempts to break Microchip's code protection feature may be a violation of the Digital Millennium Copyright Act. If such acts allow unauthorized access to your software or other copyrighted work, you may have a right to sue for relief under that Act.

---

Information contained in this publication regarding device applications and the like is intended through suggestion only and may be superseded by updates. It is your responsibility to ensure that your application meets with your specifications. No representation or warranty is given and no liability is assumed by Microchip Technology Incorporated with respect to the accuracy or use of such information, or infringement of patents or other intellectual property rights arising from such use or otherwise. Use of Microchip's products as critical components in life support systems is not authorized except with express written approval by Microchip. No licenses are conveyed, implicitly or otherwise, under any intellectual property rights.

**Trademarks**

The Microchip name and logo, the Microchip logo, Accuron, dsPIC, KEELoQ, MPLAB, PIC, PICmicro, PICSTART, PRO MATE, PowerSmart and rPIC are registered trademarks of Microchip Technology Incorporated in the U.S.A. and other countries.

AmpLab, FilterLab, microID, MXDEV, MXLAB, PICMASTER, SEEVAL, SmartShunt and The Embedded Control Solutions Company are registered trademarks of Microchip Technology Incorporated in the U.S.A.

Application Maestro, dsPICDEM, dsPICDEM.net, dsPICworks, ECAN, ECONOMONITOR, FanSense, FlexROM, fuzzyLAB, In-Circuit Serial Programming, ICSP, ICEPIC, Migratable Memory, MPASM, MPLIB, MPLINK, MPSIM, PICkit, PICDEM, PICDEM.net, PICtail, PowerCal, PowerInfo, PowerMate, PowerTool, rLAB, Select Mode, SmartSensor, SmartTel and Total Endurance are trademarks of Microchip Technology Incorporated in the U.S.A. and other countries.

SQTP is a service mark of Microchip Technology Incorporated in the U.S.A.

All other trademarks mentioned herein are property of their respective companies.

© 2004, Microchip Technology Incorporated, Printed in the U.S.A., All Rights Reserved.

 Printed on recycled paper.

**QUALITY MANAGEMENT SYSTEM**  
**CERTIFIED BY DNV**  
**== ISO/TS 16949:2002 ==**

*Microchip received ISO/TS-16949:2002 quality system certification for its worldwide headquarters, design and wafer fabrication facilities in Chandler and Tempe, Arizona and Mountain View, California in October 2003. The Company's quality system processes and procedures are for its PICmicro® 8-bit MCUs, KEELoQ® code hopping devices, Serial EEPROMs, microperipherals, nonvolatile memory and analog products. In addition, Microchip's quality system for the design and manufacture of development systems is ISO 9001:2000 certified.*



## WORLDWIDE SALES AND SERVICE

### AMERICAS

#### Corporate Office

2355 West Chandler Blvd.  
Chandler, AZ 85224-6199  
Tel: 480-792-7200  
Fax: 480-792-7277  
Technical Support: 480-792-7627  
Web Address: <http://www.microchip.com>

#### Atlanta

3780 Mansell Road, Suite 130  
Alpharetta, GA 30022  
Tel: 770-640-0034  
Fax: 770-640-0307

#### Boston

2 Lan Drive, Suite 120  
Westford, MA 01886  
Tel: 978-692-3848  
Fax: 978-692-3821

#### Chicago

333 Pierce Road, Suite 180  
Itasca, IL 60143  
Tel: 630-285-0071  
Fax: 630-285-0075

#### Dallas

4570 Westgrove Drive, Suite 160  
Addison, TX 75001  
Tel: 972-818-7423  
Fax: 972-818-2924

#### Detroit

Tri-Atria Office Building  
32255 Northwestern Highway, Suite 190  
Farmington Hills, MI 48334  
Tel: 248-538-2250  
Fax: 248-538-2260

#### Kokomo

2767 S. Albright Road  
Kokomo, IN 46902  
Tel: 765-864-8360  
Fax: 765-864-8387

#### Los Angeles

18201 Von Karman, Suite 1090  
Irvine, CA 92612  
Tel: 949-263-1888  
Fax: 949-263-1338

#### San Jose

1300 Terra Bella Avenue  
Mountain View, CA 94043  
Tel: 650-215-1444  
Fax: 650-961-0286

#### Toronto

6285 Northam Drive, Suite 108  
Mississauga, Ontario L4V 1X5, Canada  
Tel: 905-673-0699  
Fax: 905-673-6509

### ASIA/PACIFIC

#### Australia

Suite 22, 41 Rawson Street  
Epping 2121, NSW  
Australia  
Tel: 61-2-9868-6733  
Fax: 61-2-9868-6755

#### China - Beijing

Unit 706B  
Wan Tai Bei Hai Bldg.  
No. 6 Chaoyangmen Bei Str.  
Beijing, 100027, China  
Tel: 86-10-85282100  
Fax: 86-10-85282104

#### China - Chengdu

Rm. 2401-2402, 24th Floor,  
Ming Xing Financial Tower  
No. 88 TIDU Street  
Chengdu 610016, China  
Tel: 86-28-86766200  
Fax: 86-28-86766599

#### China - Fuzhou

Unit 28F, World Trade Plaza  
No. 71 Wusi Road  
Fuzhou 350001, China  
Tel: 86-591-7503506  
Fax: 86-591-7503521

#### China - Hong Kong SAR

Unit 901-6, Tower 2, Metroplaza  
223 Hing Fong Road  
Kwai Fong, N.T., Hong Kong  
Tel: 852-2401-1200  
Fax: 852-2401-3431

#### China - Shanghai

Room 701, Bldg. B  
Far East International Plaza  
No. 317 Xian Xia Road  
Shanghai, 200051  
Tel: 86-21-6275-5700  
Fax: 86-21-6275-5060

#### China - Shenzhen

Rm. 1812, 18/F, Building A, United Plaza  
No. 5022 Binhe Road, Futian District  
Shenzhen 518033, China  
Tel: 86-755-82901380  
Fax: 86-755-8295-1393

#### China - Shunde

Room 401, Hongjian Building, No. 2  
Fengxiangnan Road, Ronggui Town, Shunde  
District, Foshan City, Guangdong 528303, China  
Tel: 86-757-28395507 Fax: 86-757-28395571

#### China - Qingdao

Rm. B505A, Fullhope Plaza,  
No. 12 Hong Kong Central Rd.  
Qingdao 266071, China  
Tel: 86-532-5027355 Fax: 86-532-5027205

#### India

Divyasree Chambers  
1 Floor, Wing A (A3/A4)  
No. 11, O'Shaughnessy Road  
Bangalore, 560 025, India  
Tel: 91-80-22290061 Fax: 91-80-22290062

#### Japan

Benex S-1 6F  
3-18-20, Shinyokohama  
Kohoku-Ku, Yokohama-shi  
Kanagawa, 222-0033, Japan  
Tel: 81-45-471- 6166 Fax: 81-45-471-6122

#### Korea

168-1, Youngbo Bldg. 3 Floor  
Samsung-Dong, Kangnam-Ku  
Seoul, Korea 135-882  
Tel: 82-2-554-7200 Fax: 82-2-558-5932 or  
82-2-558-5934

#### Singapore

200 Middle Road  
#07-02 Prime Centre  
Singapore, 188980  
Tel: 65-6334-8870 Fax: 65-6334-8850

#### Taiwan

Kaohsiung Branch  
30F - 1 No. 8  
Min Chuan 2nd Road  
Kaohsiung 806, Taiwan  
Tel: 886-7-536-4818  
Fax: 886-7-536-4803

#### Taiwan

Taiwan Branch  
11F-3, No. 207  
Tung Hua North Road  
Taipei, 105, Taiwan  
Tel: 886-2-2717-7175 Fax: 886-2-2545-0139

### EUROPE

#### Austria

Durisolstrasse 2  
A-4600 Wels  
Austria  
Tel: 43-7242-2244-399  
Fax: 43-7242-2244-393

#### Denmark

Regus Business Centre  
Lautrup høj 1-3  
Ballerup DK-2750 Denmark  
Tel: 45-4420-9895 Fax: 45-4420-9910

#### France

Parc d'Activite du Moulin de Massy  
43 Rue du Saule Trapu  
Batiment A - Ier Etage  
91300 Massy, France  
Tel: 33-1-69-53-63-20  
Fax: 33-1-69-30-90-79

#### Germany

Steinheilstrasse 10  
D-85737 Ismaning, Germany  
Tel: 49-89-627-144-0  
Fax: 49-89-627-144-44

#### Italy

Via Quasimodo, 12  
20025 Legnano (MI)  
Milan, Italy  
Tel: 39-0331-742611  
Fax: 39-0331-466781

#### Netherlands

P. A. De Biesbosch 14  
NL-5152 SC Drunen, Netherlands  
Tel: 31-416-690399  
Fax: 31-416-690340

#### United Kingdom

505 Eskdale Road  
Winnersh Triangle  
Wokingham  
Berkshire, England RG41 5TU  
Tel: 44-118-921-5869  
Fax: 44-118-921-5820

02/17/04