

RoHS Compliant Product  
A suffix of "-C" specifies halogen & lead-free

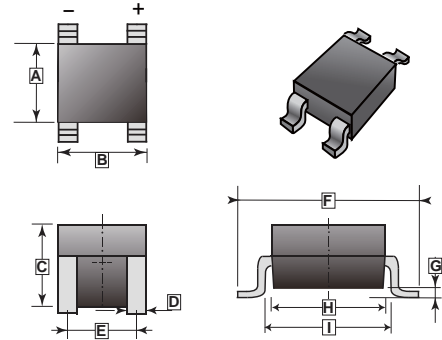
## FEATURES

- Glass passivated chip junction
- High surge overload rating: 30A peak
- Saves space on printed circuit boards
- Plastic material has U/L flammability classification 94V-0
- High temperature soldering guaranteed:  
260°C/10 seconds at 5 lbs. (2.3kg) tension

## MECHANICAL DATA

- Case: Molded plastic body over passivated junctions
- Terminals: Plated leads solderable per MIL-STD-750, Method 2026
- Polarity: Polarity symbols marked on body Dimensions in inches and (millimeters)
- Mounting Position: Any
- Weight: 0.0078 ounce, 0.22 gram

## TBS



REF.	Millimeter		REF.	Millimeter	
	Min.	Max.		Min.	Max.
A	4.25	4.55	F	6.30	6.70
B	4.85	5.15	G	0.05	0.15
C	1.15	1.45	H	4.25	4.55
D	0.60	0.70	I	0.50	0.70
E	3.90	4.10			

## PACKAGE INFORMATION

Package	MPQ	Leader Size
TBS	4K	13 inch

## MAXIMUM RATINGS AND ELECTRICAL CHARACTERISTICS

(Rating 25°C ambient temperature unless otherwise specified. Single phase half wave, 60Hz, resistive or inductive load.  
For capacitive load, de-rate current by 20%.)

Parameter	Symbol	Part Number							Unit
		TB 151S	TB 152S	TB 153S	TB 154S	TB 155S	TB 156S	TB 157S	
Maximum Recurrent Peak Reverse Voltage	$V_{RRM}$	50	100	200	400	600	800	1000	V
Maximum RMS Bridge Input Voltage	$V_{RMS}$	35	70	140	280	350	560	700	V
Maximum DC Blocking Voltage	$V_{DC}$	50	100	200	400	600	800	1000	V
Maximum Average Forward Rectified Current @ $T_A=25^\circ C$	$I_{(AV)}$	1.5							A
Peak Forward Surge Current 8.3 ms Single Half Sine-Wave Super Imposed on Rated Load (JEDEC Method)	$I_{FSM}$	40							A
Maximum Forward Voltage @ 1.5A	$V_F$	1.1							V
Maximum DC Reverse Current at Rated DC Blocking Voltage	$T_A=25^\circ C$	5							$\mu A$
	$T_A=100^\circ C$	0.5							
Operating and Storage temperature range	$T_J, T_{STG}$	-55~150							°C