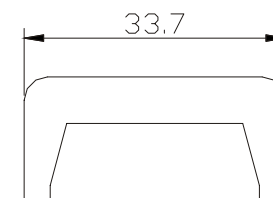
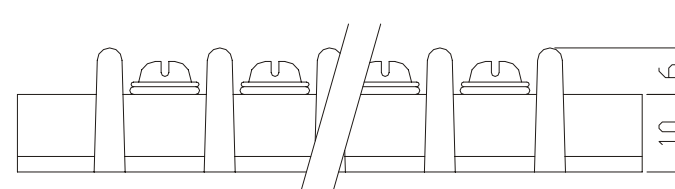
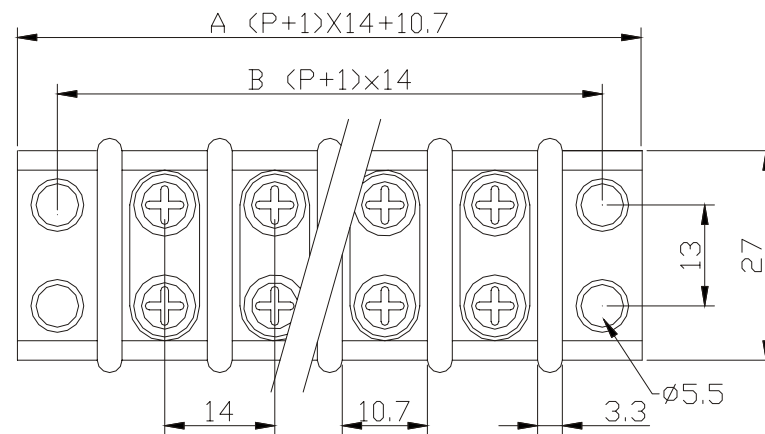


SPECIFICATIONS

BARRIER MATERIAL : PHENOLIC BLACK
 SCREW: NICKEL PLATED STEEL #8#32
 WIRE RANGE: 10-18 STR.
 RATING : 40 AMPERE 5.600 VAC
 INSULATION WITHSTANDS VOLTAGE AC 2000V
 INSULATION RESISTANCE 500M OR MORE AT DC 500V



POLE	2	3	4	5	6	7	8	9	10	11	12	13	14	15
A	52.7	66.7	80.7	94.7	108.7	122.7	136.7	150.7	164.7	178.7	192.7	206.7	220.7	234.7
B	42	56	70	84	98	112	126	140	154	168	182	196	210	224
POLE	16	17	18	19	20	21	22	23	24					
A	248.7	262.7	276.7	290.7	304.7	318.7	332.7	346.7	360.7					
B	238	252	266	280	294	308	322	336	350					

TBA140-W-xx-LF
LEADFREE

RoHS Compliant



PART NO. TBA140-W-xx

DWG NO. TBA140-W-xx

CHECKED BY CY

TOLERANCES ARE

DESCRIPTION:

FILE NO.

DRAWING BY

.X ± 0.2
.XX ± 0.1
.XXX ±
AWG

AREA

REVISIONS

HK

DATE

煜倫股份有限公司

UNIT / mm

SCALE 1:1

PROJECTION

