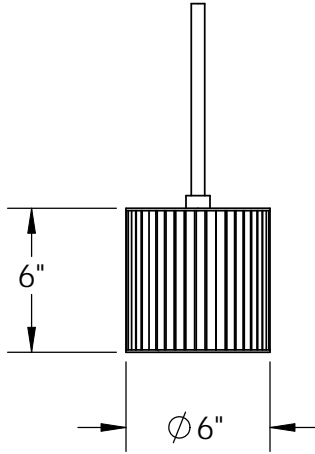


TBR-PD223

PENDANT MOUNT
LED



Specification:

Construction: Extruded aluminum fluted cylindrical housing.
Electrical: CSA/UL approved electronic power supply.
Finish: 3 stage powder painted.

PRODUCT KEY

Product ID	Lamp	Voltage	Finish	Options
TBR-PD223	LED14 (800Lm 14W)	120V	MW - matte white TW - textured matte white GW - gloss white TB - textured matte black GB - gloss black CC - custom color (RAL color)	AC - Aircraft cable mounting MOD - modified standard luminaire

EXAMPLE

TBR-PD223-LED14-120-MW

YOUR ORDER

TBR-PD223				
-----------	--	--	--	--

Modification description (MOD-only)

Notes:

- Built to CSA/US, CUL standards.
- Lamps not included.
- Custom sizes available upon request.
- All dimensions shown are nominal.
- TBR Architectural Lighting reserves the right to alter or discontinue product without prior notice.
- * - Consult factory.

The drawing and information it discloses is the exclusive property of TBR Architectural Lighting. Any reproduction or use of this drawing in whole or in part without the consent of the proprietor is prohibited. Continuous research and development may require to discontinue or alter a product for improvement without notice. Consult factory for updated information.

TBR ARCHITECTURAL LIGHTING
 35 Oak St. Toronto ON M9N 1A1
 Tel 416-245 7991
 Fax 647-777 3297

Project:

Client:

Type:

Approved: