



LINEAR BUILDING BLOCK – QUAD LOW POWER OP AMP

FEATURES

- Optimized for Single Supply Operation
- Small, 14-pin SOIC (Narrow) package
- Ultra Low Input Bias Current Less than 100pA
- Low Quiescent Current 12µA max
- Operates Down to $V_{DD} = 1.8V$

APPLICATIONS

- Power Supply Circuits
- Embedded Systems
- Instrumentation
- Portable Equipment
- Consumer Products

ORDERING INFORMATION

Part No.	Package	Temp. Range
TC1030COD	14-Pin SOIC (Narrow)	0°C to +70°C
TC1030CPD	14-Pin Plastic DIP	0°C to +70°C
TC1030CQR	16-Pin QSOP	0°C to +70°C
TC1030EOD	14-Pin SOIC (Narrow)	-40°C to +85°C
TC1030EPD	14-Pin Plastic DIP	-40°C to +85°C
<i>TC43EV</i>	<i>Evaluation Kit for Linear Building Block Family</i>	

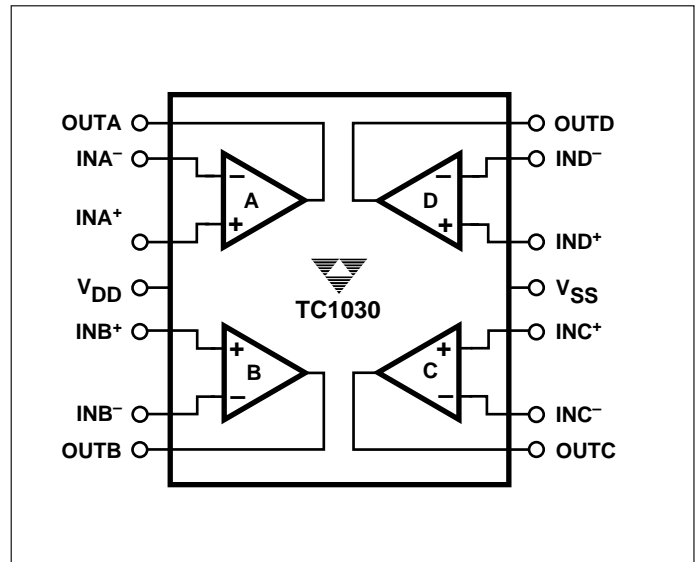
GENERAL DESCRIPTION

The TC1030 is a quad, low power operational amplifier designed for low power applications.

It is designed specifically for operation from a single supply, however, operation from dual supplies is also possible, and the power supply current drain is independent of the magnitude of the power supply voltage. Supply current is 12µA maximum and the TC1030 operates down to $V_{DD} = 1.8V$.

Packaged in a 14-pin narrow (0.150"W) SOIC or DIP, the TC1030 is ideal for battery operated applications.

FUNCTIONAL BLOCK DIAGRAM



Pin configuration

