

PWM/PFM Step-Down Combination Regulator/Controller

Features

- Internal Switching Transistor Supports 600mA Output Current
- External Switching Transistor Control for Output Currents of 2A+
- 300kHz Oscillator Frequency Supports Small Inductor Size
- Short Circuit Protection
- Built-In Undervoltage Lockout
- 95% Typical Efficiency
- Automatic Switchover to Current-Saving PFM Mode at Low Output Loads
- Automatic Output Capacitor Discharge While in Shutdown
- Programmable Soft-Start
- Power-Saving Shutdown Mode
- Small 8-Pin SOP Package

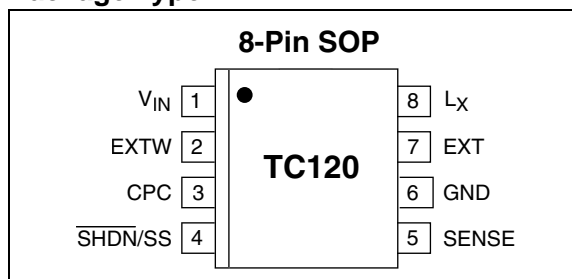
Applications

- Portable Test Equipment
- Local Logic Supplies
- Portable Audio Systems
- Portable Scanners
- Palmtops
- Electronic Organizers

Device Selection Table

Part Number	Output Voltage (V)	Package	Operating Temp. Range
TC120503EHA	5.0	8-Pin SOP	-40°C to +85°C
TC120333EHA	3.3	8-Pin SOP	-40°C to +85°C
TC120303EHA	3.0	8-Pin SOP	-40°C to +85°C

Package Type

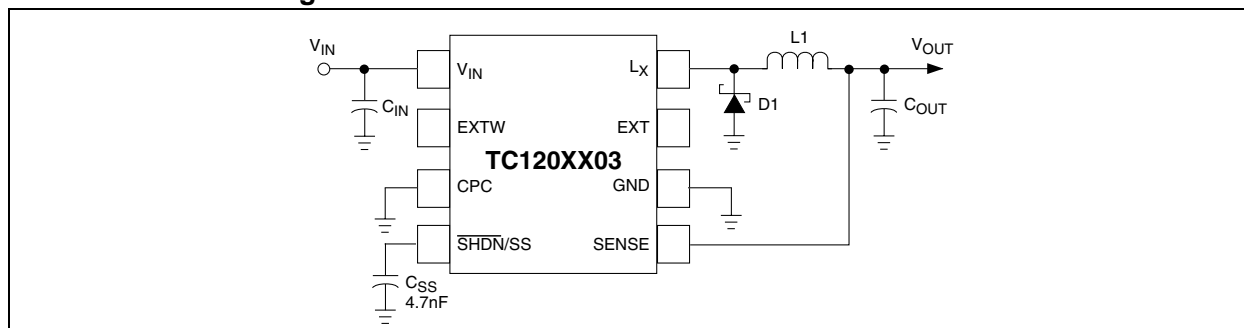


General Description

TC120 is a 300kHz PFM/PWM step-down (Buck) DC/DC regulator/controller combination for use in systems operating from two or more cells, or in line-powered applications. It uses PWM as the primary modulation scheme, but automatically converts to PFM at low output loads for greater efficiency. It requires only an external inductor, Schottky diode, and two capacitors to implement a step-down converter having a maximum output current of 600mA ($V_{IN} = 5V$, $V_{OUT} = 3.3V$). An external switching transistor (P-channel MOSFET) can be added to increase output current capability to support output loads of 2A or more.

The TC120 consumes only 55 μ A (max) of supply current ($V_{OUT} = 3.3V$) and can be placed in shutdown mode by bringing the shutdown input (SHDN) low. During shutdown, the regulator is disabled, supply current is reduced to 2.5 μ A (max), and V_{OUT} is internally pulled to ground, discharging the output capacitor. Normal operation resumes when SHDN is brought high. Other features include a built-in undervoltage lockout (UVLO), an externally programmable soft start time, and output short circuit protection. The TC120 operates from a maximum input voltage of 10V and is available in a low-profile 8-Pin SOP package.

Functional Block Diagram



TC120

1.0 ELECTRICAL CHARACTERISTICS

Absolute Maximum Ratings*

Power Supply Voltage (V_{IN})..... -0.3V to +12V
 Voltage on V_{OUT} Pin -0.3V to +12V
 Voltage on LX, Boost Pins
 ($V_{IN} - 12V$) to ($V_{IN} + 0.3V$)
 Voltage on EXT1, EXT2, \overline{SHDN} Pins
 (-0.3V) to ($V_{IN} + 0.3V$)
 L_X Pin Current 700mA pk
 EXT1, EXT2 Pin Current ±50mA
 Continuous Power Dissipation 300mW
 Operating Temperature Range..... -40°C to +85°C
 Storage Temperature Range -40°C to +150°C

*Stresses above those listed under "Absolute Maximum Ratings" may cause permanent damage to the device. These are stress ratings only and functional operation of the device at these or any other conditions above those indicated in the operation sections of the specifications is not implied. Exposure to Absolute Maximum Rating conditions for extended periods may affect device reliability.

TC120 ELECTRICAL SPECIFICATIONS

Electrical Characteristics: Test circuit of Figure 3-1, $T_A = 25^\circ\text{C}$, $V_{IN} = V_R \times 1.2$, Note 1 unless otherwise noted.						
Symbol	Parameter	Min	Typ	Max	Units	Test Conditions
V_{OUT}	Output Voltage	$V_R \times 0.975$	$V_R \pm 0.5\%$	$V_R \times 1.025$	V	$V_{OUT} = 3.0V$ $I_{OUT} = 120\text{mA}$ (Note 1) $V_{OUT} = 3.3V$ $I_{OUT} = 132\text{mA}$ $V_{OUT} = 5.0V$ $I_{OUT} = 200\text{mA}$
V_{IN}	Input Voltage	1.8	—	10.0	V	
I_{OUTMAX}	Maximum Output Current	500 600 600	— — —	— — —	mA	$V_{OUT} = 3.0V$ $V_{OUT} = 3.3V$ $V_{OUT} = 5.0V$
I_{IN}	Supply Current	—	52 55 71	82 86 110	μA	$V_{OUT} = 3.0V$ $V_{IN} = V_R \times 1.05$, no load $V_{OUT} = 3.3V$ $V_{OUT} = 5.0V$
I_{SHDN}	Shutdown Supply Current	—	1.5	2.5	μA	No load, $\overline{SHDN} = 0V$, (Note 2)
I_{LX}	LX Pin Leakage Current	— —	— 1.5	2 2.5	μA	Measured at EXT1 Pin (Note 2) No load, $\overline{SHDN} = 0V$
$R_{DS(ON)}$ (LX)	LX Pin ON Resistance	— — —	0.69 0.64 0.44	0.94 0.85 0.58	Ω	$V_{OUT} = 3.0V$ $V_{OUT} = V_R \times 0.9$ (Note 2) $V_{OUT} = 3.3V$ $V_{LX} = V_{IN} - 0.2V$, 10Ω $V_{OUT} = 5.0V$ Resistor from L _X to V_{IN} , $\overline{SHDN} = V_{IN}$
R_{EXTH}	EXT1, EXT2 On Resistance to V_{IN}	— — —	38 35 24	52 47 32	Ω	$V_{OUT} = 3.0V$ $\overline{SHDN} = V_{IH}$; EXT1 and EXT2 $V_{OUT} = 3.3V$ connected to 200Ω load, $V_{OUT} = 5.0V$ $V_{EXT1} = V_{EXT2} = (V_{IN} - 0.4V)$; $V_{OUT} = V_{IN}$ (Note 2)
R_{EXTL}	EXT1, EXT2 On Resistance to GND	— — —	31 29 20	41 37 26	Ω	$V_{OUT} = 3.0V$ $\overline{SHDN} = V_{IH}$; EXT1 and EXT2 $V_{OUT} = 3.3V$ pulled up through a series $V_{OUT} = 5.0V$ resistance of 200Ω to a voltage such that $V_{EXT1, 2} = 0.4V$
f_{OSC}	Oscillator Frequency	255	300	345	kHz	Measured at EXT1 Pin, $V_{IN} = V_{OUT} + 0.3V$, $I_{OUT} = 20\text{mA}$ (Note 3)
DPWM	Maximum PWM Duty Cycle	—	—	100	%	
DPFM	PFM Duty Cycle	15	25	35	%	No load
η	Efficiency	—	95	—	%	$V_{IN} > V_R \times 1.2$

- Note** 1: V_R is the factory-programmed output voltage setting.
 2: No external components connected, except C_{SS} .
 3: While operating in PWM Mode.

Electrical Characteristics: Test circuit of Figure 3-1, $T_A = 25^\circ\text{C}$, $V_{IN} = V_R \times 1.2$, Note 1 unless otherwise noted.						
Symbol	Parameter	Min	Typ	Max	Units	Test Conditions
V_{UVLO}	Minimum Operating Voltage	0.9	—	1.8	V	$V_{OUT} = V_R \times 0.9$ (Note 2), $\overline{\text{SHDN}} = V_{IN}$ Measured with internal transistor in OFF state and V_{IN} falling
V_{IH}	$\overline{\text{SHDN}}$ Input Logic High, Threshold Voltage	0.65	—	—	V	$V_{OUT} = 0\text{V}$, (Note 2)
V_{IL}	$\overline{\text{SHDN}}$ Input Logic Low, Threshold Voltage	—	—	0.20	V	$V_{OUT} = 0\text{V}$, (Note 2)
t_{PRO}	Short Circuit Protection Response Time	3	5	8	msec	Time from $V_{OUT} = 0\text{V}$ to $\overline{\text{SHDN}} = V_{IL}$ (Note 2)
t_{SS}	Soft Start Time	6	10	16	msec	

- Note**
- 1: V_R is the factory-programmed output voltage setting.
 - 2: No external components connected, except C_{SS} .
 - 3: While operating in PWM Mode.

TC120

2.0 PIN DESCRIPTIONS

The descriptions of the pins are listed in Table 2-1.

TABLE 2-1: PIN FUNCTION TABLE

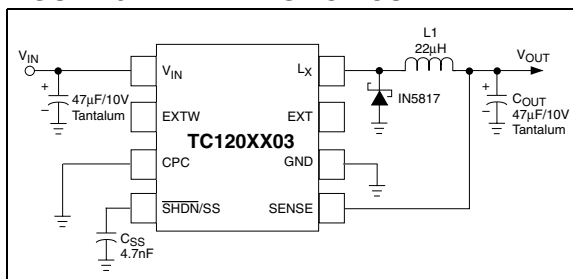
Pin No. (8-Pin SOP)	Symbol	Description
1	V _{IN}	Unregulated supply input.
2	EXTW	Extended external switching transistor drive output. This output follows the timing on the EXT output with an additional 100nsec blanking time on both the leading and trailing edges. That is, this output transitions from high-to-low 100 nsec prior to the same transition on EXT; and transitions low-to-high 100nsec after the same transition on EXT; resulting in a longer external switch ON time. (See <i>Section 3.9 External Switching Transistor Selection</i>).
3	CPC	Charge pump capacitor input. An inverting charge pump is formed by attaching a capacitor and diode to this input. (See <i>Section 3.5 Improving High Load Efficiency In Regulator Operating Mode</i>).
4	SHDN/SS	Shutdown and soft-start control input. A soft start capacitor of 100pF (min) must be connected to this input. The soft start capacitor is charged by an internal μ A current source that gently ramps the TC120 into service. Shutdown control is best implemented with an external open collector (or open drain) switch. The TC120 enters shutdown when this input is low. During shutdown, the regulator is disabled, and supply current is reduced to less than 2.5 μ A. Normal operation is restored when this input is open-circuited, and allowed to float high. (See <i>Section 3.6 Low Power Shutdown Mode/Soft Start Input</i>).
5	SENSE	Voltage sense input. This input must be connected to the output voltage node at the physical location that requires the tightest voltage regulation.
6	GND	Ground terminal.
7	EXT	External switching transistor drive output. This output connects directly to the gate of an external P-channel MOSFET for applications requiring output currents greater than 600mA. The timing of this output exactly matches that of the gate drive for the internal P-channel transistor. This output can drive a maximum capacitance of 1000pF. (See <i>Section 3.9 External Switching Transistor Selection</i>).
8	Lx	Inductor terminal. This pin is connected to the drain of the internal P-channel switching transistor. If the TC120 is operated as a regulator (i.e., using the internal switch); the inductor must be connected between this pin and the SENSE pin.

3.0 DETAILED DESCRIPTION

The TC120 can be operated as an integrated step-down regulator (using the internal switching transistor); or as a step-down regulator controller (using an external switching transistor). When operating as an integrated regulator, the only required external components are a Schottky diode, inductor and an output capacitor. Operating in this configuration, the TC120 is capable of supporting output load currents to a maximum of 600mA with operating efficiencies above 85%. Efficiencies at high loads can be further improved by using the on-board charge pump circuit to pull the gate of the internal switching transistor below ground for the lowest possible ON resistance. (For more information, see *Section 3.5 Improving High Load Efficiency in Regulator Operating Mode*).

Higher output currents are achieved by operating the TC120 with an external P-channel switching transistor (controller mode). In this operating configuration, the maximum output current is determined primarily by the ON resistance of the P-channel switch and the series resistance of the inductor.

FIGURE 3-1: TEST CIRCUIT



3.1 Inductor Selection

Selecting the proper inductor value is a trade-off between physical size and power conversion requirements. Lower value inductors cost less, but result in higher ripple current and core losses. They are also more prone to saturate since the coil current ramps faster and could overshoot the desired peak value. This not only reduces efficiency, but could also cause the current rating of the external components to be exceeded. Larger inductor values reduce both ripple current and core losses, but are larger in physical size and tend to increase the start-up time slightly. A 22µH inductor is the best overall compromise and is recommended for use with the TC120. For highest efficiency, use inductors with a low DC resistance (less than 20mΩ). To minimize radiated noise, consider using a toroid, pot core or shielded-bobbin inductor.

3.2 Input Bypass Capacitor

Using an input bypass capacitor reduces peak current transients drawn from the input supply, and reduces the switching noise generated by the regulator. The source impedance of the input supply determines the size of the capacitor that should be used.

3.3 Output Capacitor

The effective series resistance of the output capacitor directly affects the amplitude of the output voltage ripple. (The product of the peak inductor current and the ESR determines output ripple amplitude.) Therefore, a capacitor with the lowest possible ESR should be selected. Smaller capacitors are acceptable for light loads or in applications where ripple is not a concern. A 47µF Tantalum capacitor is recommended for most applications. The Sprague 595D series of tantalum capacitors are amongst the smallest of all low ESR surface mount capacitors available. Table 3-1 lists suggested components and suppliers.

3.4 Catch Diode

The high operating frequency of the TC120 requires a high-speed diode. Schottky diodes such as the MA737 or 1N5817 through 1N5823 (and the equivalent surface mount versions) are recommended. Select a diode whose average current rating is greater than the peak inductor current; and whose voltage rating is higher than V_{INMAX} .

3.5 Improving High Load Efficiency in Regulator Operating Mode

If the TC120 is operated at high output loads most (or all) of the time, efficiency can be improved with the addition of two components. Ordinarily, the voltage swing on the gate of the internal P-channel transistor is from ground to V_{IN} . By adding a capacitor and diode as shown in Figure 3-2, an inverting charge pump is formed, enabling the internal gate voltage to swing from a negative voltage to $+V_{IN}$. This increased drive lowers the $R_{DS(ON)}$ of the internal transistor, improving efficiency at high output currents. Care must be taken to ensure the voltage measured between V_{IN} and CPC does not exceed an absolute value of 10V. While this is not a problem at values of V_{IN} at (or below) 5V, higher V_{IN} values will require the addition of a clamping mechanism (such as a Zener diode) to limit the voltage as described. While this technique improves efficiency at high output loads, it is at the expense of low load efficiency because energy is expended charging and discharging the charge pump capacitor. This technique is therefore not recommended for applications that operate the TC120 at low output currents for extended time periods. If unused, CPC must be grounded.

3.6 Low Power Shutdown Mode/Soft Start Input

The $\overline{\text{SHDN/SS}}$ input acts as both the shutdown control and the node for the external soft start capacitor, which is charged by an internal $1\mu\text{A}$ current source. A value of 4700pF (100pF minimum) is recommended for the soft start capacitor. Failure to do this may cause large overshoot voltages and/or large inrush currents resulting in possible instability. The TC120 enters a low power shutdown mode when $\overline{\text{SHDN/SS}}$ is brought low. While in shutdown, the oscillator is disabled and the output discharge switch is turned on, discharging the output capacitor. Figure 3-3 shows the recommended interface circuits to the $\overline{\text{SHDN/SS}}$ input. As shown, the $\overline{\text{SHDN/SS}}$ input should be controlled using an open collector (or open drain) device, such that the $\overline{\text{SHDN/SS}}$ input is grounded for shutdown mode, and open-circuited for normal operation (Figure 3-3a). If a CMOS device is used to control shutdown (Figure 3-3b), the value of R_1 and C_{SS} should be chosen such that the voltage on $\overline{\text{SHDN/SS}}$ rises from ground to 0.65V in 1.5msec (Figure 3-4). If shutdown is not used, C_{SS} must still be connected as shown in Figure 3-3c and Figure 3-3d. $\overline{\text{SHDN/SS}}$ may be pulled up with a resistor (Figure 3-3c) as long as the values of R_{SS} and C_{SS} provide the approximate charging characteristic on power up shown in Figure 3-4. C_{SS} only may also be connected as shown in Figure 3-3d with C_{SS} chosen at 4700pF (minimum 100pF).

3.7 Undervoltage Lockout (UVLO)

The TC120 is disabled whenever V_{IN} is below the undervoltage lockout threshold. This threshold is equal to the guaranteed minimum operating voltage for the TC120 (i.e., 2.2V). When UVLO is active, the TC120 is completely disabled.

3.8 Short Circuit Protection

Upon detection of an output short circuit condition, the TC120 reduces the PWM duty cycle to a minimum value using its internal protection timer. The sequence of events is as follows: when an output voltage decrease to near zero is detected (as the result of an overload), the internal (5msec) protection timer is started. If the output voltage has not recovered to nominal value prior to the expiration of the protection timer, the TC120 is momentarily shut down by dedicated, internal circuitry. Immediately following this action, the soft start sequence is engaged in an attempt to re-start the TC120. If the output short circuit is removed, normal operation is automatically restored. If the short circuit is still present, the timed self-shutdown sequence described above is repeated.

3.9 External Switching Transistor Selection

EXT is a complimentary output with a maximum ON resistances of 32Ω to V_{DD} when high and 26Ω to ground when low, at $V_{\text{OUT}} = 5\text{V}$. It is designed to directly drive a P-channel MOSFET (Figure 3-5). The P-channel MOSFET selection is determined mainly by the on-resistance, gate-source threshold and gate charge requirements. Also, the drain-to-source and gate-to-source breakdown voltage ratings must be greater than V_{INMAX} . The total gate charge specification should be less than 100nC for best efficiency. The MOSFET must be capable of handling the required peak inductor current, and should have a very low on-resistance at that current. For example, a Si9430 MOSFET has a drain-to-source rating of -20V , and a typical on-resistance $r_{\text{DS(on)}}$ of 0.07Ω at 2A , with $V_{\text{GS}} = -4.5\text{V}$. (EXTW (Figure 3-6) may be gated with external circuitry to add blanking, or as an auxiliary timing signal.) Table 3-1 lists suggested components and suppliers.

3.10 Board Layout Guidelines

As with all inductive switching regulators, the TC120 generates fast switching waveforms, which radiate noise. Interconnecting lead lengths should be minimized to keep stray capacitance, trace resistance and radiated noise as low as possible. In addition, the GND pin, input bypass capacitor and output filter capacitor ground leads should be connected to a single point. The input capacitor should be placed as close to power and ground pins of the TC120 as possible. The length of the EXT trace must also be kept as short as possible.

TABLE 3-1: SUGGESTED COMPONENTS AND SUPPLIERS

Type	Inductors	Capacitors	Diodes	Transistors
Surface Mount	Sumida CD54 Series CDRH Series Coilcraft DO Series	AVX TPS Series Sprague 595D Series	ON Semiconductor MBRS340T3 Nihon NSQ Series Matsushita MA737	Silconix Little Foot MOSFET Series Zetex FZT749 PNP Bipolar Transistor Toshiba 2SA1213 PNP Transistor
Miniature Through-Hole	Sumida RCH Series	Sanyo OS-CON Series	IRC OAR Series	
Standard Through-Hole	Coilcraft PCH Series	Nichicon PL Series United Chemi-Conv LXF Series		ON Semiconductor TMOS Power MOSFETs

FIGURE 3-2: TC120 WITH ADDED COMPONENTS FOR IMPROVED EFFICIENCY AT HIGH OUTPUT CURRENTS

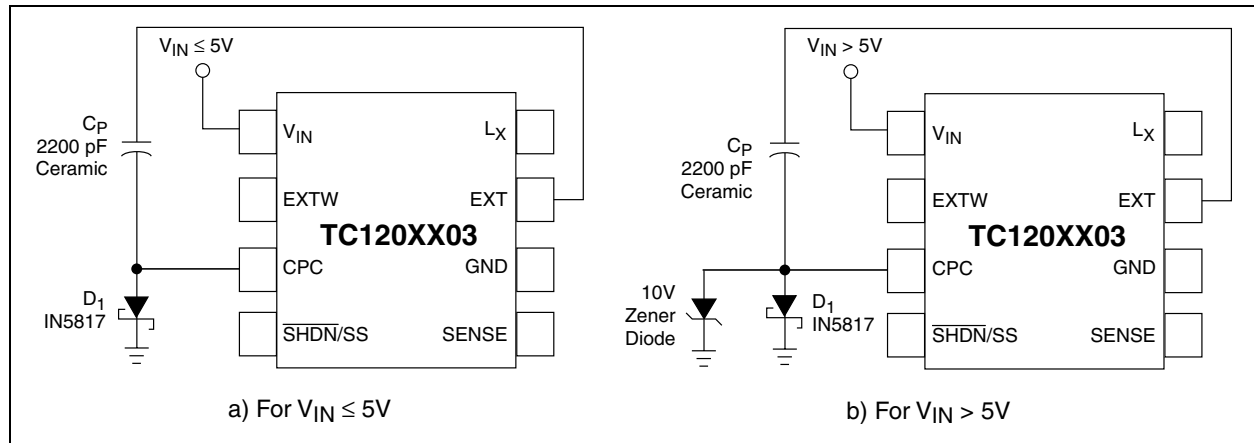


FIGURE 3-3: SHUTDOWN CONTROL CIRCUITS

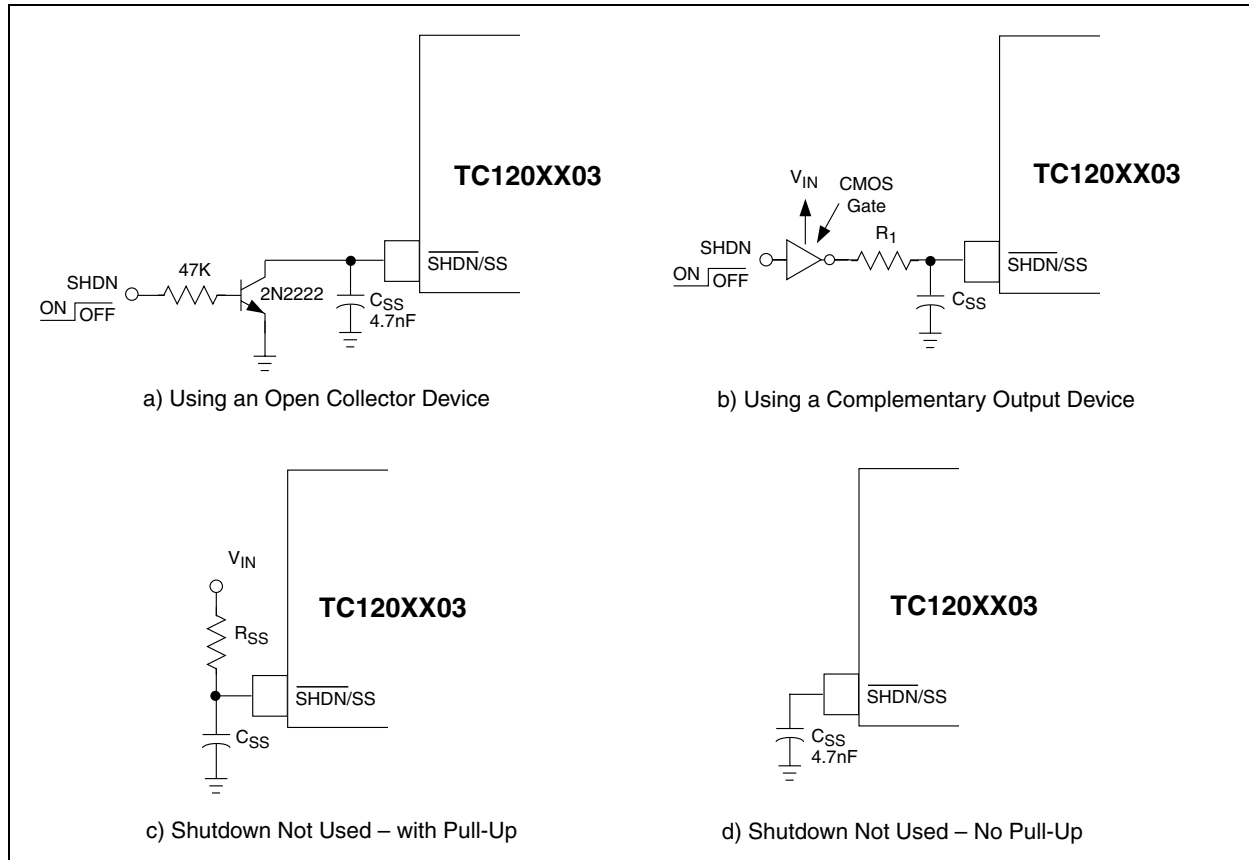


FIGURE 3-4: SOFT START TIMING

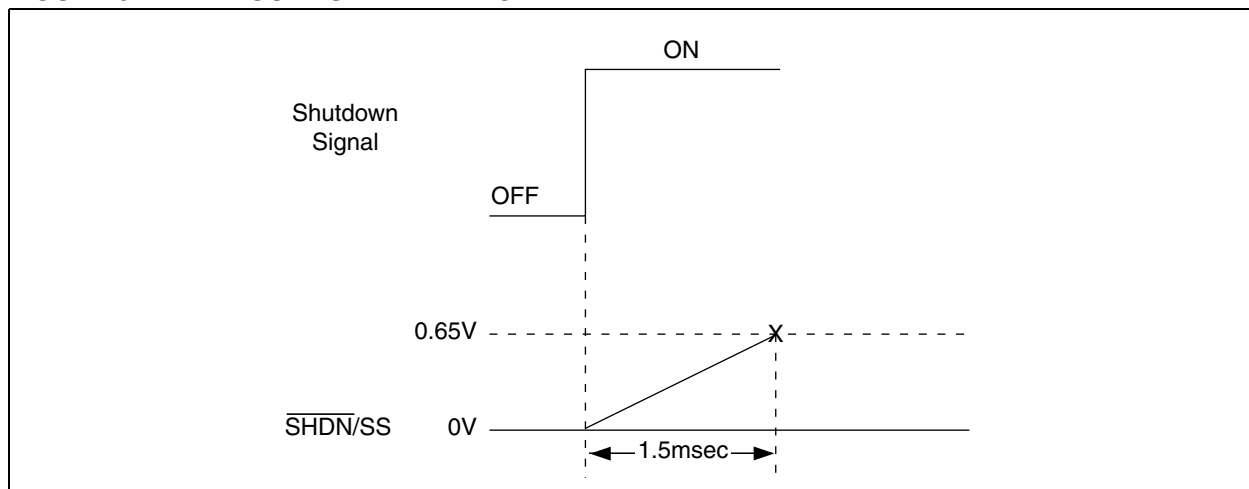


FIGURE 3-5: USING EXTERNAL TRANSISTOR SWITCH

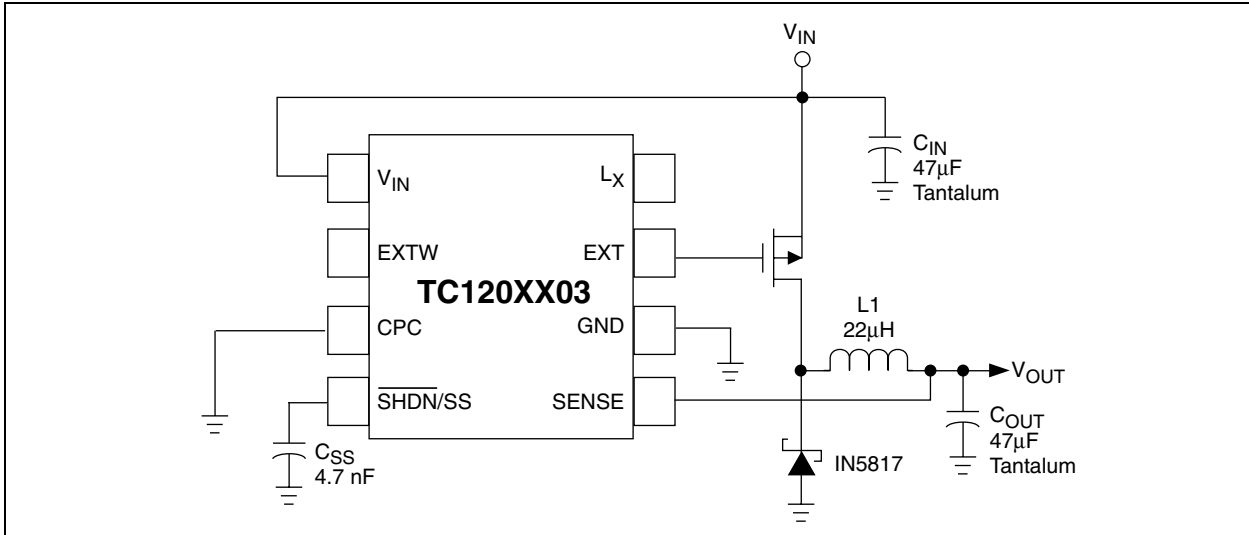
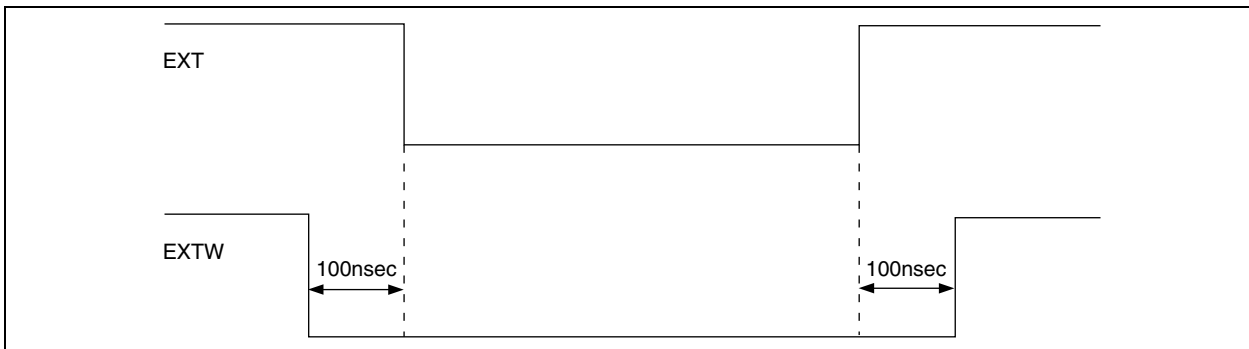


FIGURE 3-6: EXTERNAL (EXT) AND EXTENDED EXTERNAL (EXTW) SWITCHING TRANSISTOR DRIVE OUTPUT



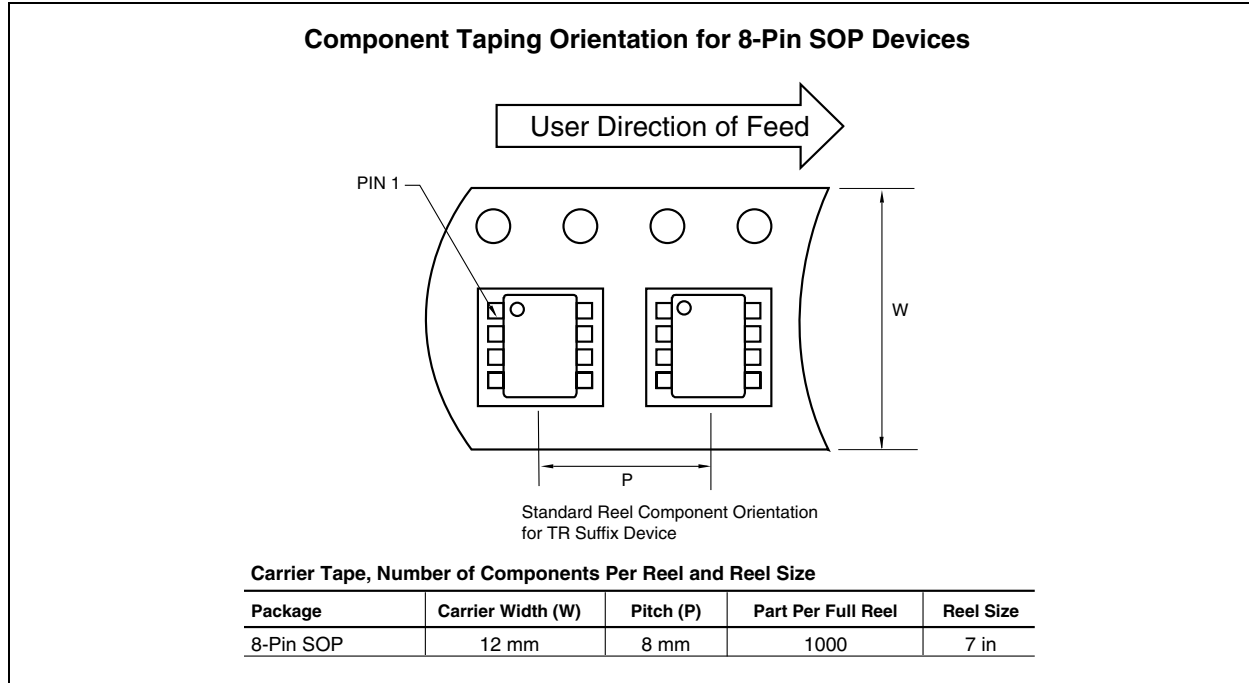
TC120

4.0 PACKAGING INFORMATION

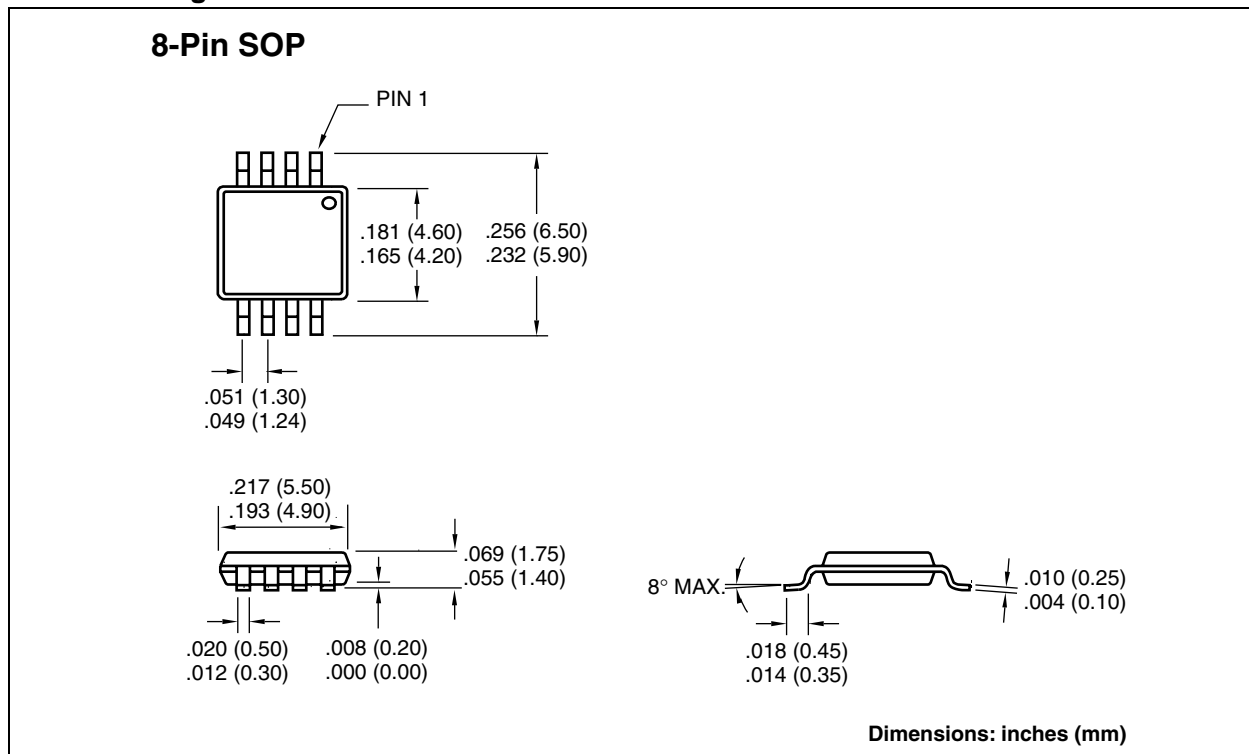
4.1 Package Marking Information

Package marking data not available at this time.

4.2 Taping Form



4.3 Package Dimensions



Sales and Support

Data Sheets

Products supported by a preliminary Data Sheet may have an errata sheet describing minor operational differences and recommended workarounds. To determine if an errata sheet exists for a particular device, please contact one of the following:

1. Your local Microchip sales office
2. The Microchip Corporate Literature Center U.S. FAX: (480) 792-7277
3. The Microchip Worldwide Site (www.microchip.com)

Please specify which device, revision of silicon and Data Sheet (include Literature #) you are using.

New Customer Notification System

Register on our web site (www.microchip.com/cn) to receive the most current information on our products.

TC120

NOTES:

Information contained in this publication regarding device applications and the like is intended through suggestion only and may be superseded by updates. It is your responsibility to ensure that your application meets with your specifications. No representation or warranty is given and no liability is assumed by Microchip Technology Incorporated with respect to the accuracy or use of such information, or infringement of patents or other intellectual property rights arising from such use or otherwise. Use of Microchip's products as critical components in life support systems is not authorized except with express written approval by Microchip. No licenses are conveyed, implicitly or otherwise, under any intellectual property rights.

Trademarks


The Microchip name and logo, the Microchip logo, FilterLab, KEELOQ, microID, MPLAB, PIC, PICmicro, PICMASTER, PICSTART, PRO MATE, SEEVAL and The Embedded Control Solutions Company are registered trademarks of Microchip Technology Incorporated in the U.S.A. and other countries.

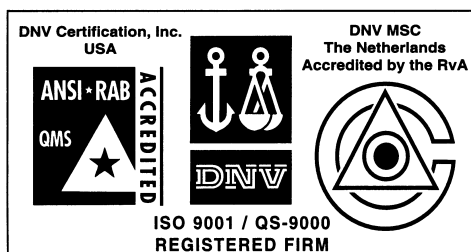
dsPIC, ECONOMONITOR, FanSense, FlexROM, fuzzyLAB, In-Circuit Serial Programming, ICSP, ICEPIC, microPort, Migratable Memory, MPASM, MPLIB, MPLINK, MPSIM, MXDEV, MXLAB, PICC, PICDEM, PICDEM.net, rPIC, Select Mode and Total Endurance are trademarks of Microchip Technology Incorporated in the U.S.A.

Serialized Quick Turn Programming (SQTP) is a service mark of Microchip Technology Incorporated in the U.S.A.

All other trademarks mentioned herein are property of their respective companies.

© 2002, Microchip Technology Incorporated, Printed in the U.S.A., All Rights Reserved.

 Printed on recycled paper.



Microchip received QS-9000 quality system certification for its worldwide headquarters, design and wafer fabrication facilities in Chandler and Tempe, Arizona in July 1999 and Mountain View, California in March 2002. The Company's quality system processes and procedures are QS-9000 compliant for its PICmicro® 8-bit MCUs, KEELOQ® code hopping devices, Serial EEPROMs, microperipherals, non-volatile memory and analog products. In addition, Microchip's quality system for the design and manufacture of development systems is ISO 9001 certified.



MICROCHIP

WORLDWIDE SALES AND SERVICE

AMERICAS

Corporate Office

2355 West Chandler Blvd.
Chandler, AZ 85224-6199
Tel: 480-792-7200 Fax: 480-792-7277
Technical Support: 480-792-7627
Web Address: <http://www.microchip.com>

Rocky Mountain

2355 West Chandler Blvd.
Chandler, AZ 85224-6199
Tel: 480-792-7966 Fax: 480-792-7456

Atlanta

500 Sugar Mill Road, Suite 200B
Atlanta, GA 30350
Tel: 770-640-0034 Fax: 770-640-0307

Boston

2 Lan Drive, Suite 120
Westford, MA 01886
Tel: 978-692-3848 Fax: 978-692-3821

Chicago

333 Pierce Road, Suite 180
Itasca, IL 60143
Tel: 630-285-0071 Fax: 630-285-0075

Dallas

4570 Westgrove Drive, Suite 160
Addison, TX 75001
Tel: 972-818-7423 Fax: 972-818-2924

Detroit

Tri-Atria Office Building
32255 Northwestern Highway, Suite 190
Farmington Hills, MI 48334
Tel: 248-538-2250 Fax: 248-538-2260

Kokomo

2767 S. Albright Road
Kokomo, Indiana 46902
Tel: 765-864-8360 Fax: 765-864-8387

Los Angeles

18201 Von Karman, Suite 1090
Irvine, CA 92612
Tel: 949-263-1888 Fax: 949-263-1338

New York

150 Motor Parkway, Suite 202
Hauppauge, NY 11788
Tel: 631-273-5305 Fax: 631-273-5335

San Jose

Microchip Technology Inc.
2107 North First Street, Suite 590
San Jose, CA 95131
Tel: 408-436-7950 Fax: 408-436-7955

Toronto

6285 Northam Drive, Suite 108
Mississauga, Ontario L4V 1X5, Canada
Tel: 905-673-0699 Fax: 905-673-6509

ASIA/PACIFIC

Australia

Microchip Technology Australia Pty Ltd
Suite 22, 41 Rawson Street
Epping 2121, NSW
Australia
Tel: 61-2-9868-6733 Fax: 61-2-9868-6755

China - Beijing

Microchip Technology Consulting (Shanghai)
Co., Ltd., Beijing Liaison Office
Unit 915
Bei Hai Wan Tai Bldg.
No. 6 Chaoyangmen Beidajie
Beijing, 100027, No. China
Tel: 86-10-85282100 Fax: 86-10-85282104

China - Chengdu

Microchip Technology Consulting (Shanghai)
Co., Ltd., Chengdu Liaison Office
Rm. 2401, 24th Floor,
Ming Xing Financial Tower
No. 88 TIDU Street
Chengdu 610016, China
Tel: 86-28-86766200 Fax: 86-28-86766599

China - Fuzhou

Microchip Technology Consulting (Shanghai)
Co., Ltd., Fuzhou Liaison Office
Unit 28F, World Trade Plaza
No. 71 Wusi Road
Fuzhou 350001, China
Tel: 86-591-7503506 Fax: 86-591-7503521

China - Shanghai

Microchip Technology Consulting (Shanghai)
Co., Ltd.
Room 701, Bldg. B
Far East International Plaza
No. 317 Xian Xia Road
Shanghai, 200051
Tel: 86-21-6275-5700 Fax: 86-21-6275-5060

China - Shenzhen

Microchip Technology Consulting (Shanghai)
Co., Ltd., Shenzhen Liaison Office
Rm. 1315, 13/F, Shenzhen Kerry Centre,
Renminnan Lu
Shenzhen 518001, China
Tel: 86-755-2350361 Fax: 86-755-2366086

China - Hong Kong SAR

Microchip Technology Hongkong Ltd.
Unit 901-6, Tower 2, Metroplaza
223 Hing Fong Road
Kwai Fong, N.T., Hong Kong
Tel: 852-2401-1200 Fax: 852-2401-3431

India

Microchip Technology Inc.
India Liaison Office
Divyasree Chambers
1 Floor, Wing A (A3/A4)
No. 11, O'Shaugnessey Road
Bangalore, 560 025, India
Tel: 91-80-2290061 Fax: 91-80-2290062

Japan

Microchip Technology Japan K.K.
Benex S-1 6F
3-18-20, Shinyokohama
Kohoku-Ku, Yokohama-shi
Kanagawa, 222-0033, Japan
Tel: 81-45-471-6166 Fax: 81-45-471-6122

Korea

Microchip Technology Korea
168-1, Youngbo Bldg. 3 Floor
Samsung-Dong, Kangnam-Ku
Seoul, Korea 135-882
Tel: 82-2-554-7200 Fax: 82-2-558-5934

Singapore

Microchip Technology Singapore Pte Ltd.
200 Middle Road
#07-02 Prime Centre
Singapore, 188980
Tel: 65-6334-8870 Fax: 65-6334-8850

Taiwan

Microchip Technology Taiwan
11F-3, No. 207
Tung Hua North Road
Taipei, 105, Taiwan
Tel: 886-2-2717-7175 Fax: 886-2-2545-0139

EUROPE

Denmark

Microchip Technology Nordic ApS
Regus Business Centre
Lautrup høj 1-3
Ballerup DK-2750 Denmark
Tel: 45 4420 9895 Fax: 45 4420 9910

France

Microchip Technology SARL
Parc d'Activite du Moulin de Massy
43 Rue du Saule Trapu
Batiment A - 1er Etage
91300 Massy, France
Tel: 33-1-69-53-63-20 Fax: 33-1-69-30-90-79

Germany

Microchip Technology GmbH
Gustav-Heinemann Ring 125
D-81739 Munich, Germany
Tel: 49-89-627-144 0 Fax: 49-89-627-144-44

Italy

Microchip Technology SRL
Centro Direzionale Colleoni
Palazzo Taurus 1 V. Le Colleoni 1
20041 Agrate Brianza
Milan, Italy
Tel: 39-039-65791-1 Fax: 39-039-6899883

United Kingdom

Microchip Ltd.
505 Eskdale Road
Winnersh Triangle
Wokingham
Berkshire, England RG41 5TU
Tel: 44 118 921 5869 Fax: 44-118 921-5820

05/01/02