

LCD Module User Manual

Customer : _____
MASS PRODUCTION CODE : TC1602A-04WA0
DRAWING NO. : m-TC1602A-04WA0_A00

Approved By Customer:

Date:

Approved By	Checked By	Prepared By

Vatronic Holdings Limited

ADD:5F,No.10 Blg,WenGuang Industrial Zone,XiLi,Nanshan District,Shenzhen,China
TEL:0086-755-83234801 33207538 FAX:0086-755-33207539
E-mail:sales@Vatronic.com [Http://www.vatronic.com](http://www.vatronic.com)

Contents

1. Precautions in Use of LCD Module-----	P3
2. General Specification-----	P3
3. Absolute Maximum Ratings-----	P3
4. Electrical Characteristics-----	P4
5. Backlight Information-----	P4
6. Optical Characteristics-----	P5
7. Interface Description-----	P6
8. Contour Drawing & Block Diagram-----	P7
9. Application circuit-----	P8
10. LCM Function Description-----	P8
11. User instruction Definitions-----	P10
11.1 Instruction table-----	P10
11.2 Instruction description -----	P11
12. Timing Characteristics -----	P14
13. Initializing flow chart -----	P15
14. Standard Character pattern-----	P17
15.Revision records-----	P18

1. Precautions in Use of LCD Module

- (1) Avoid applying excessive shocks to the module or making any alterations or modifications to it.
- (2) Don't make extra holes on the printed circuit board, modify its shape or change the components of LCD Module.
- (3) Don't disassemble the LCM.
- (4) Don't operate it above the absolute maximum rating.
- (5) Don't drop, bend or twist LCM.
- (6) Soldering: only to the I/O terminals.
- (7) Storage: please storage in anti-static electricity container and clean environment.

2. General Specification

ITEM	STANDARD VALUE	UNIT
Number of dots	16X2 Chars	Dots
Outline dimension	122.0(W)X44.0(H)X13.5MAX.(T)	mm
View area	99.0(W)X24.0(H)	mm
Active area	94.84(W)X20.02(H)	mm
Dot size	0.92(W)X1.10(H)	mm
Dot pitch	0.98(W)X1.16(H)	mm
LCD type	FSTN, Positive, Transflective	
View direction	6 o'clock	
Backlight	White LED	
Controller	SPLC780-01, Parallel interface	

3. Absolute Maximum Ratings

ITEM	SYMBOL	MIN.	TYP.	MAX.	UNIT
Operating Temperature	T_{OP}	-20	-	+70	
Storage Temperature	T_{ST}	-30	-	+80	
Input Voltage	V_I	0	-	V_{DD}	V
Supply Voltage For Logic	V_{DD}	0	-	5.5	V
Supply Voltage For LCD	$V_{DD}-V_{EE}$	0	-	5	V

4. Electrical Characteristics

ITEM	SYMBOL	CONDITION	MIN.	TYP.	MAX.	UNIT
Logic Voltage	$V_{DD}-V_{SS}$	-	4.75	5.0	5.25	V
Supply Volt.For LCD	$V_{DD}-V_O$	$T_a=25$	---	4.6	---	V
Input High Volt.	V_{IH}	-	2.0	-	V_{DD}	V
Input Low Volt.	V_{IL}	-	-0.3	-	0.8	V
Output High Volt.	V_{OH}	$I_{oH}=-0.2mA$	2.4	-	V_{DD}	V
Output Low Volt.	V_{OL}	$I_{oL}=1.6mA$	0	-	0.4	V
Supply Current	I_{DD}	-	---	1.0	---	mA

5. Backlight Information

Absolute Maximum ratings ($T_a=25$)

Item	Symbol	Conditions	Rating	Unit
Reverse voltage	V_r	-	5.0	V
Reverse Current	I_r	$V_r=5.0V$	80	μA
Absolute maximum forward Current	I_{fm}		100	mA
Peak forward current	I_{fp}	1 msec plus 10% Duty Cycle	240	mA
Power dissipation	P_d		340	mW
Operating Temperature Range	T_{oper}		-30~+70	
Storage Temperature Range	T_{st}		-40~+80	

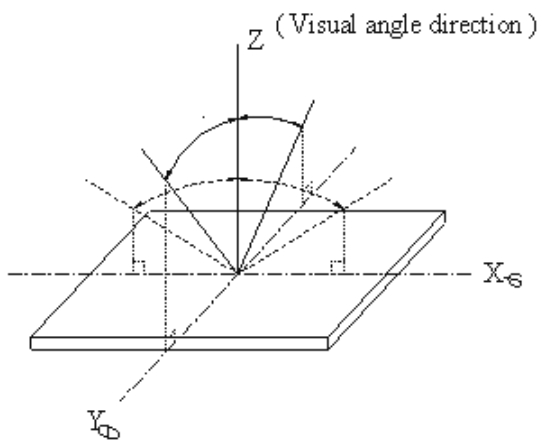
Electrical/Optical Characteristics ($T_a=25^{\circ}C, I_f=60mA$)

Color	Wavelength $\rho(nm)$	Spectral line half width (nm)	Operating Voltage(v) ($\pm 0.15V$)	Forward Current (mA)
White	---	---	3.1	54

6. Optical Characteristics

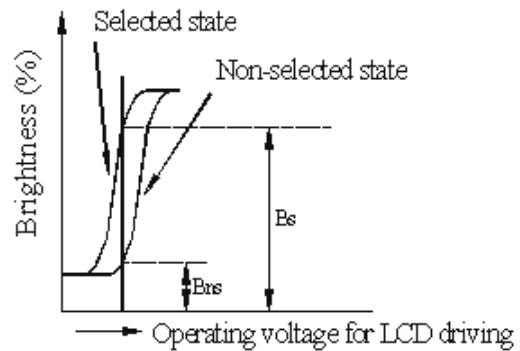
ITEM	SYMBOL	CONDITION	MIN	TYPE	MAX	UNIT
View Angle	(V)	CR 2	10	-	120	deg.
	(H)	CR 2	-45	-	45	deg.
Contrast Ratio	CR	-	-	5	-	-
Response Time	T rise	-	-	200	300	ms
	T fall	-	-	150	200	ms

View Angles

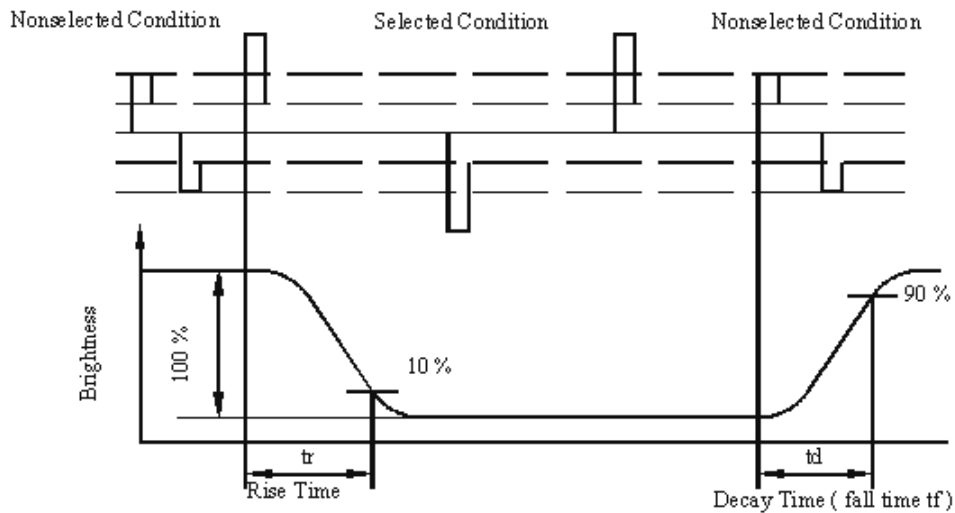


Contrast Ratio

$$CR = \frac{\text{Brightness at selected state (BS)}}{\text{Brightness at non-selected state (Bns)}}$$



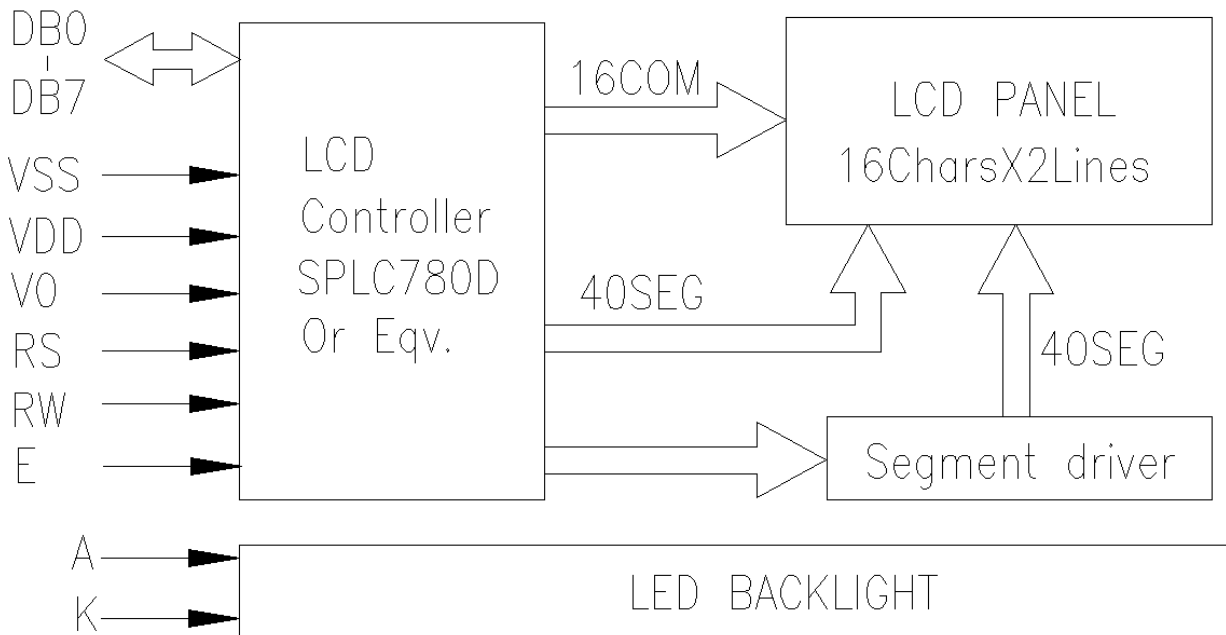
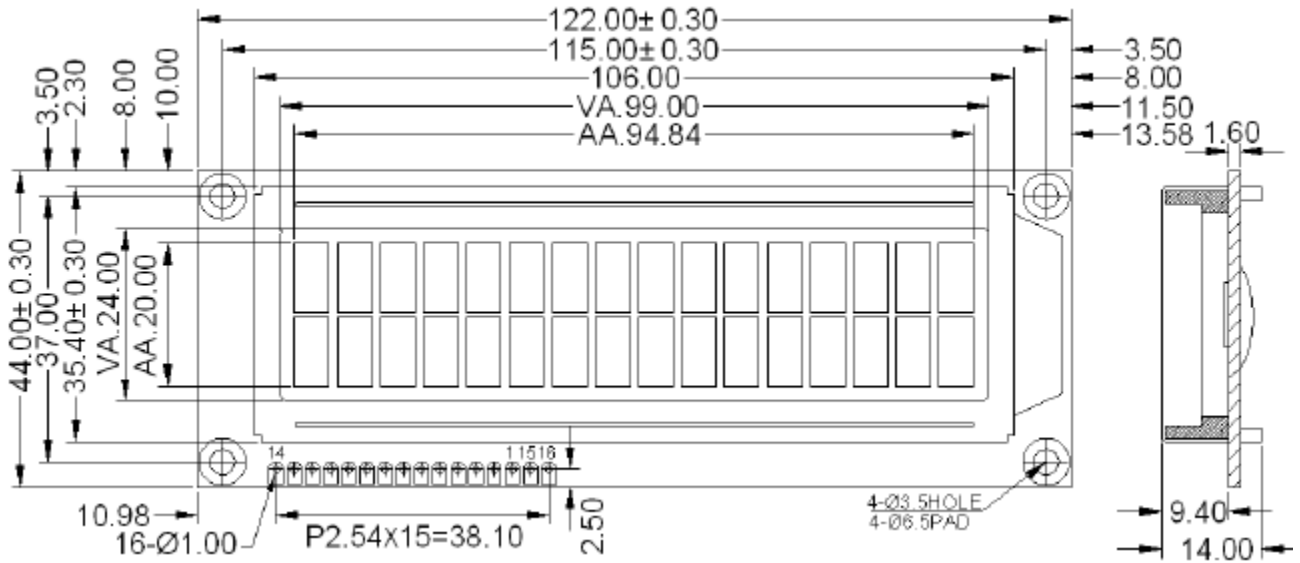
Response time



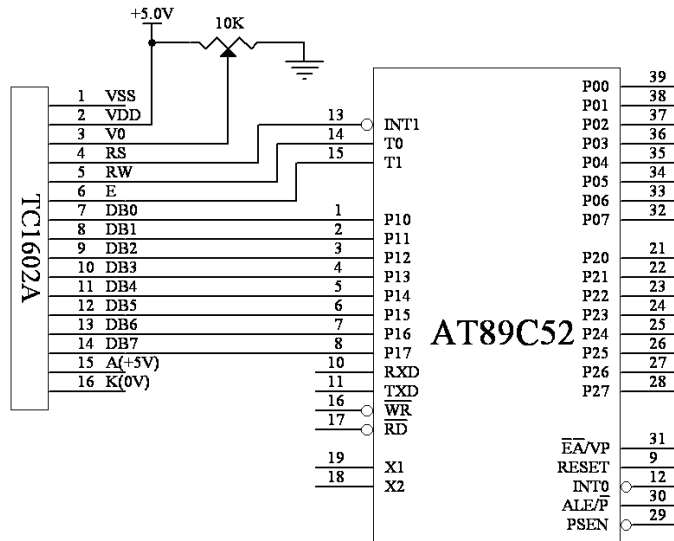
7.Interface Description

Pin No.	Symbol	Level	Description
1	V _{SS}	0V	Ground
2	V _{DD}	+5.0V	Power supply for Logic
3	V _O	(Variable)	Driving voltage for LCD
4	RS	H/L	H:Data L :Instruction
5	RW	H/L	H:Read L:Write
6	E	H/L	Enable signal
7~14	DB0~DB7	H/L	Data bus. DB7 is used for Busy Flag .
15	A(LED+)	+5.0V	Anode of LED Backlight
16	K(LED-)	0V	Cathode of LED Backlight

8. Contour Drawing & Block Diagram



9. Application circuit



10. LCM Function Description

The LCD display Module is built in a LSI controller, the controller has two 8-bit registers, an instruction register (IR) and a data register (DR).

The IR stores instruction codes, such as display clear and cursor shift, and address information for display data RAM (DDRAM) and character generator (CGRAM). The IR can only be written from the MPU. The DR temporarily stores data to be written or read from DDRAM or CGRAM. When address information is written into the IR, then data is stored into the DR from DDRAM or CGRAM. By the register selector (RS) signal, these two registers can be selected.

Various Kinds of Operations according to RS and R/W Bits

RS	R/W	Operation
0	0	IR write as an internal operation (display clear, etc.)
0	1	Read busy flag (DB7) and address counter (DB0 to DB7)
1	0	Write data to DDRAM or CGRAM (DR to DDRAM or CGRAM)
1	1	Read data from DDRAM or CGRAM (DDRAM or CGRAM to DR)

Busy Flag (BF)

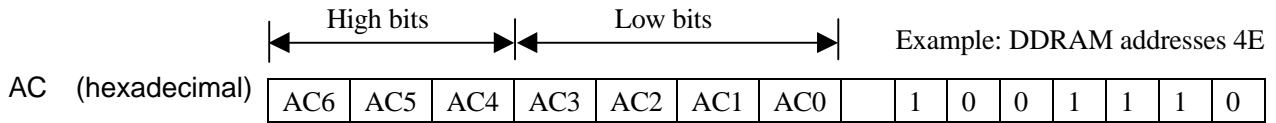
When the **BF= "High"**, it indicates that the LCM internal operation is being processed. So during this time the next instruction cannot be accepted. BF can be read, when RS = Low and R/W = High (Read Instruction Operation), through DB7 port. Before executing the next instruction, be sure that BF is **not High**.

Address Counter (AC)

Address Counter(AC) stores DDRAM/CGRAM address. After writing into (reading from) DDRAM/CGRAM, AC is automatically increased (decreased) by 1. When RS = "Low" and R/W = "High", AC can be read through DB0 - DB6 ports.

Display Data RAM (DDRAM)

This DDRAM is used to store the display data represented in 8-bit character codes. Below figure is the relationships between DDRAM addresses and positions on the liquid crystal display.



LCM DDRAM Address(In HEX)

16 Chars X 2 Lines Display																
No.	1	2	3	4	5	6	7	8	9	10	11	12	13	14	15	16
1 st Line	00	01	02	03	04	05	06	07	08	09	0A	0B	0C	0D	0E	0F
2 nd Line	40	41	42	43	44	45	46	47	48	49	4A	4B	4C	4D	4E	4F

Character Generator ROM (CGROM)

The CGROM generate 5x8 dot or 5x10 dot character patterns from 8-bit character codes. See "Standard Character pattern".

Character Generator RAM (CGRAM)

In CGRAM, the user can rewrite character by program. Relationship between Character Code (DDRAM) and Character Pattern (CGRAM) shown below.

Char Code(DDRAM data)								CGRAM address			CGRAM data								Pattern number			
D7	D6	D5	D4	D3	D2	D1	D0	A5	A4	A3	A2	A1	A0	P7	P6	P5	P4	P3		P2	P1	P0
0	0	0	0	X	0	0	0	0	0	0	0	0	0	X	X	X	0	1	1	1	0	Pattern 1
			.						.		0	0	1		.		1	0	0	0	1	
			.						.		0	1	0		.		1	0	0	0	1	
			.						.		0	1	1		.		1	1	1	1	1	
			.						.		1	0	0		.		1	0	0	0	1	
			.						.		1	0	1		.		1	0	0	0	1	
			.						.		1	1	0		.		1	0	0	0	1	
			.						.		1	1	1		.		0	0	0	0	0	
0	0	0	0	X	1	1	1	1	1	1	0	0	0	X	X	X	1	0	0	0	1	Pattern 8
			.						.		0	0	1		.		1	0	0	0	1	
			.						.		0	1	0		.		1	0	0	0	1	
			.						.		0	1	1		.		1	1	1	1	1	
			.						.		1	0	0		.		1	0	0	0	1	
			.						.		1	0	1		.		1	0	0	0	1	
			.						.		1	1	0		.		1	0	0	0	1	
			.						.		1	1	1		.		0	0	0	0	0	

"X": don't care

11. User instruction Definitions

11.1 Instruction table

Instruction	Instruction Code										Description	Execution time $f_{osc}=270\text{KHz}$)	
	RS	R/W	DB7	DB6	DB5	DB4	DB3	DB2	DB1	DB0			
Clear Display	0	0	0	0	0	0	0	0	0	0	1	Write "20H" to DDRAM and set DDRAM address to "00H" from AC.	1.52ms
Return Home	0	0	0	0	0	0	0	0	0	1	X	Set DDRAM address to "00H" from AC and return cursor to its original position if shifted. The contents of DDRAM are not changed.	1.52ms
Entry Mode Set	0	0	0	0	0	0	0	0	1	I/D	SH	Assign cursor moving direction and make shift of entire display enable.	37 μ s
Display ON/OFF control	0	0	0	0	0	0	0	1	D	C	B	Set display(D), cursor(C), and blinking of cursor(B) on/off control bit.	37 μ s
Cursor or Display Shift	0	0	0	0	0	0	1	S/C	R/L	X	X	Set cursor moving and display shift control bit, and the direction, without changing DDRAM data.	37 μ s
Function Set	0	0	0	0	0	1	DL	N	F	X	X	Set interface data length(DL:4-bit/8-bit), numbers of display line(N: 1-line/2-line), display font type(F: 5X8 dots/ 5X11 dots)	37 μ s
Set CGRAM Address	0	0	0	1	AC5	AC4	AC3	AC2	AC1	AC0		Set CGRAM address in address counter.	37 μ s
Set DDRAM Address	0	0	1	AC6	AC5	AC4	AC3	AC2	AC1	AC0		Set DDRAM address in address counter.	37 μ s
Read Busy Flag and Address	0	1	BF	AC6	AC5	AC4	AC3	AC2	AC1	AC0		Whether during internal operation or can not be known by reading BF. The contents of address counter can also be read.	0 μ s
Write Data to RAM	1	0	D7	D6	D5	D4	D3	D2	D1	D0		Write data into internal RAM (DDRAM/CGRAM).	43 μ s
Read Data from RAM	1	1	D7	D6	D5	D4	D3	D2	D1	D0		Read data from internal RAM (DDRAM/CGRAM).	43 μ s

Remark: ' X ' don't care

11.2 Instruction Description

1) Clear Display

RS	RW	DB7	DB6	DB5	DB4	DB3	DB2	DB1	DB0
0	0	0	0	0	0	0	0	0	1

Clear all the display data by writing "20H" (space code) to all DDRAM address, and set DDRAM address to "00H" into AC (address counter). Return cursor to the original status. Namely, bring the cursor to the left edge on first line of the display. Make entry mode increment (I/D = "1").

2) Return Home

RS	RW	DB7	DB6	DB5	DB4	DB3	DB2	DB1	DB0
0	0	0	0	0	0	0	0	1	-

Return Home is cursor return home instruction. Set DDRAM address to "00H" into the address counter. Return cursor to its original site and return display to its original status, if shifted. Contents of DDRAM do not change.

3) Entry Mode Set

RS	RW	DB7	DB6	DB5	DB4	DB3	DB2	DB1	DB0
0	0	0	0	0	0	0	1	I/D	SH

Set the moving direction of cursor and display.

I/D: Increment / decrement of DDRAM address (cursor or blink)

When I/D = "High", cursor/blink moves to right and DDRAM address is increased by 1.

When I/D = "Low", cursor/blink moves to left and DDRAM address is decreased by 1.

* CGRAM operates the same as DDRAM, when read from or write to CGRAM.

SH: Shift of entire display

When DDRAM read (CGRAM read / write) operation or SH = "Low", shift of entire display is not performed. If SH = "High" and DDRAM write operation, shift of entire display is performed according to I/D value:

I/D = "1" : shift left,

I/D = "0" : shift right.

4) Display ON/OFF Control

RS	RW	DB7	DB6	DB5	DB4	DB3	DB2	DB1	DB0
0	0	0	0	0	0	1	D	C	B

Control display / cursor / blink ON / OFF 1 bit register.

D: Display ON / OFF control bit

When D = "High", entire display is turned on.

When D = "Low", display is turned off, but display data is remained in DDRAM.

C: Cursor ON / OFF control bit

When C = "High", cursor is turned on.

When C = "Low", Cursor is disappeared in current display, but I/D register remains its data.

B: Cursor Blink ON / OFF control bit

When B = "High", cursor blink is on, that performs alternate between all the high data and display character at the cursor position.

When B = "Low", blink is off.

5) Cursor or Display Shift

RS	RW	DB7	DB6	DB5	DB4	DB3	DB2	DB1	DB0
0	0	0	0	0	1	S/C	R/L	-	-

Shifting of right/left cursor position or display Without Writing or reading of display data, shift right/left cursor position or display. This instruction is used to correct or search display data. (refer to Table 4) During 2-line mode display, cursor moves to the 2nd line after 40th digit of 1st line. Note that display shift is performed simultaneously in all the line. When displayed data is shifted repeatedly, each line shifted individually. When display shift is performed, the contents of address counter are not changed.

S/C	R/L	Operation
0	0	Shift the cursor to the left, AC is decreased by 1.
0	1	Shift the cursor to the right, AC is increased by 1.
1	0	Shift all the display to the left, cursor moves according to the display.
1	1	Shift all the display to the right, cursor moves according to the display.

6) Function Set

RS	RW	DB7	DB6	DB5	DB4	DB3	DB2	DB1	DB0
0	0	0	0	1	DL	N	F	-	-

DL: Interface data length control bit

When DL = "High", it means 8-bit bus mode with MPU.

When DL = "Low", it means 4-bit bus mode with MPU.

When 4-bit bus mode, it needs to transfer 4-bit data by two times.

N: Display line number control bit

When N = "Low", it means 1-line display mode.

When N = "High", 2-line display mode is set.

F: Display font type control bit

When F = "Low", it means 5 x 8 dots format display mode

When F = "High", 5 x 11 dots format display mode.

7) Set CGRAM Address

RS	RW	DB7	DB6	DB5	DB4	DB3	DB2	DB1	DB0
0	0	0	1	AC5	AC4	AC3	AC2	AC1	AC0

Set CGRAM address to AC. This instruction makes CGRAM data available from MPU.

8) Set DDRAM Address

RS	RW	DB7	DB6	DB5	DB4	DB3	DB2	DB1	DB0
0	0	1	AC6	AC5	AC4	AC3	AC2	AC1	AC0

Set DDRAM address to AC.

This instruction makes DDRAM data available from MPU. When 1-line display mode (N = 0), DDRAM address is from "00H" to "4FH". In 2-line display mode (N = 1), DDRAM address in the 1st line is from "00H" to "27H", and DDRAM address in the 2nd line is from "40H" to "67H".

9) Read Busy Flag & Address

RS	RW	DB7	DB6	DB5	DB4	DB3	DB2	DB1	DB0
0	1	BF	AC6	AC5	AC4	AC3	AC2	AC1	AC0

This instruction shows whether LCM is in internal operation or not. If the resultant BF is High, it means the internal operation is in progress and you have to wait until BF to be Low, and then the next instruction can be performed. In this instruction you can read also the value of address counter.

10) Write data to RAM

RS	RW	DB7	DB6	DB5	DB4	DB3	DB2	DB1	DB0
1	0	D7	D6	D5	D4	D3	D2	D1	D0

Write binary 8-bit data to DDRAM/CGRAM.

The selection of RAM from DDRAM, CGRAM, is set by the previous address set instruction: DDRAM address set, CGRAM address set. RAM set instruction can also determine the AC direction to RAM. After write operation, the address is automatically increased/decreased by 1, according to the entry mode.

11) Read data from RAM

RS	RW	DB7	DB6	DB5	DB4	DB3	DB2	DB1	DB0
1	1	D7	D6	D5	D4	D3	D2	D1	D0

Read binary 8-bit data from DDRAM/CGRAM.

The selection of RAM is set by the previous address set instruction. If address set instruction of RAM is not performed before this instruction, the data that read first is invalid, because the direction of AC is not determined. If you read RAM data several times without RAM address set instruction before read operation, you can get correct RAM data from the second, but the first data would be incorrect, because there is no time margin to transfer RAM data.

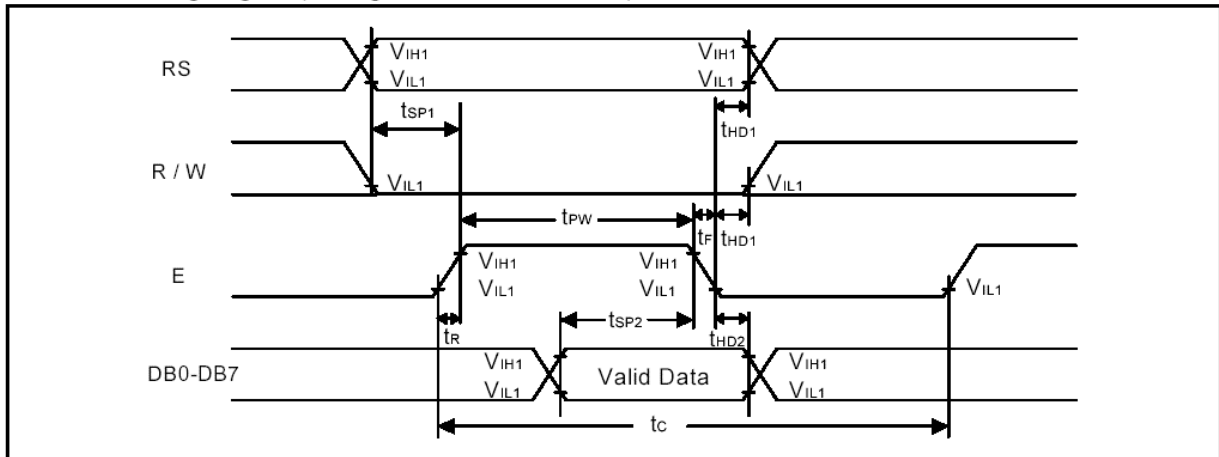
In case of DDRAM read operation, cursor shift instruction plays the same role as DDRAM address

set instruction : it also transfer RAM data to output data register. After read operation address counter is automatically increased/decreased by 1 according to the entry mode. After CGRAM read operation, display shift may not be executed correctly.

* In case of RAM write operation, after this AC is increased/decreased by 1 like read operation. In this time, AC indicates the next address position, but you can read only the previous data by read instruction.

12. Timing Characteristics

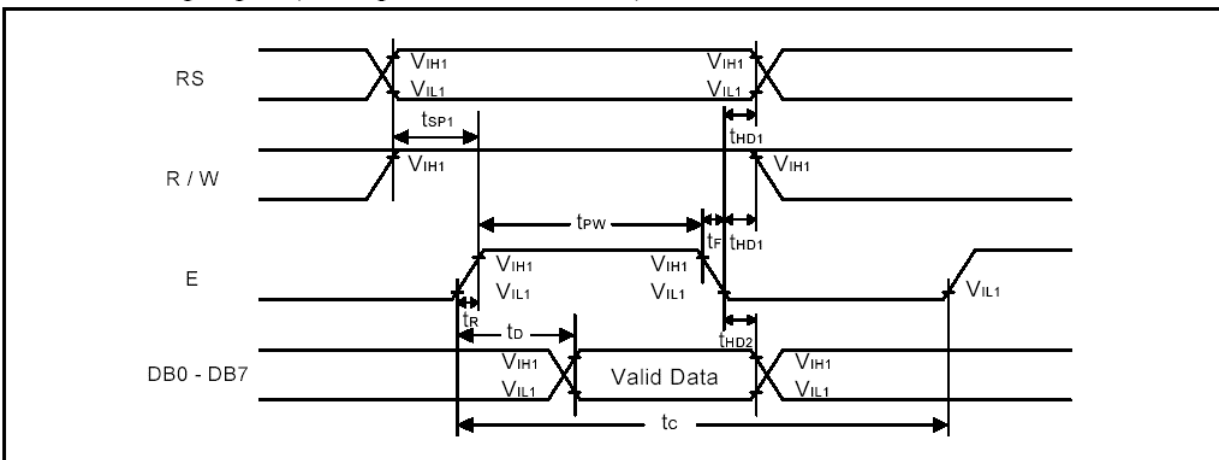
Write mode timing diagram (Writing Data from MPU to LCM)



Write mode (Writing Data from MPU to LCM)

Characteristics	Symbol	Limit			Unit	Test Condition
		Min.	Typ.	Max.		
E Cycle Time	t_C	500	-	-	ns	Pin E
E Pulse Width	t_{PW}	230	-	-	ns	Pin E
E Rise/Fall Time	t_R, t_F	-	-	20	ns	Pin E
Address Setup Time	t_{SP1}	40	-	-	ns	Pins: RS, R/W, E
Address Hold Time	t_{HD1}	10	-	-	ns	Pins: RS, R/W, E
Data Setup Time	t_{SP2}	80	-	-	ns	Pins: DB0 - DB7
Data Hold Time	t_{HD2}	10	-	-	ns	Pins: DB0 - DB7

Read mode timing diagram (Reading Data from LCM to MPU)

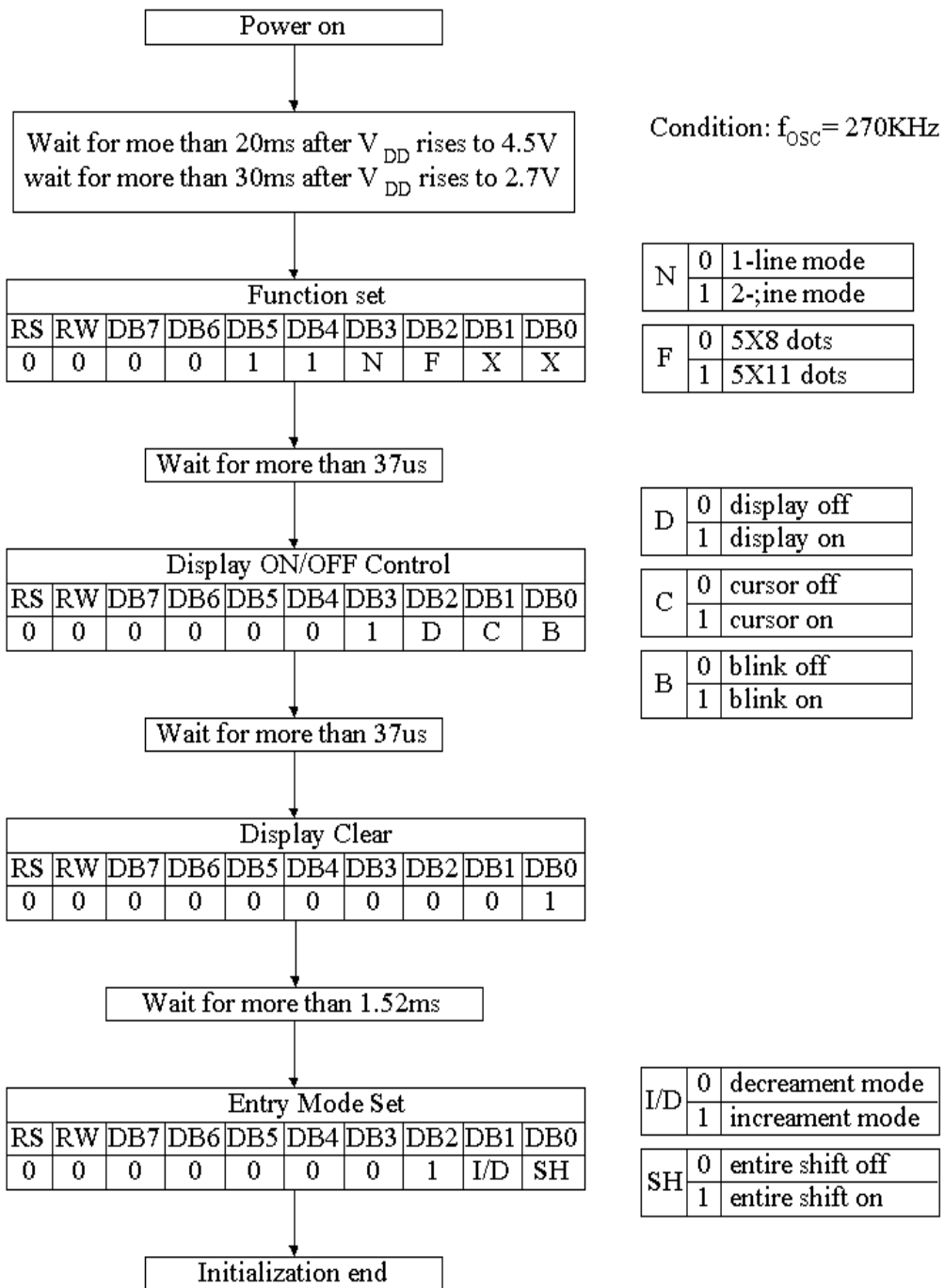


Read mode (Reading Data from LCM to MPU)

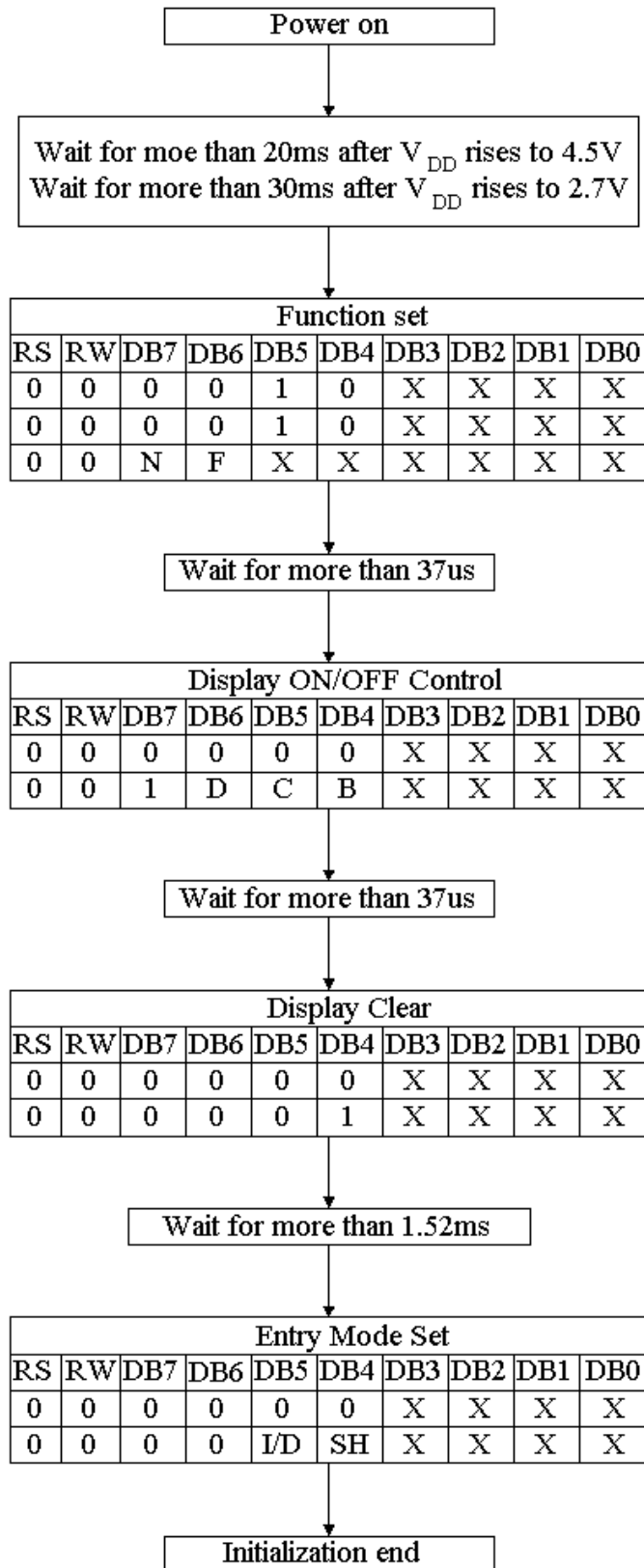
Characteristics	Symbol	Limit			Unit	Test Condition
		Min.	Typ.	Max.		
E Cycle Time	t_C	500	-	-	ns	Pin E
E Pulse Width	t_W	230	-	-	ns	Pin E
E Rise/Fall Time	t_R, t_F	-	-	20	ns	Pin E
Address Setup Time	t_{SP1}	40	-	-	ns	Pins: RS, R/W, E
Address Hold Time	t_{HD1}	10	-	-	ns	Pins: RS, R/W, E
Data Output Delay Time	t_D	-	-	120	ns	Pins: DB0 - DB7
Data hold time	t_{HD2}	5.0	-	-	ns	Pin DB0 - DB7

13. Initializing flow chart

- 8-bit interface mode



● 4-bit interface mode



Condition: $f_{OSC} = 270\text{KHz}$

N	0	1-line mode
	1	2-line mode

F	0	5X8 dots
	1	5X11 dots

D	0	display off
	1	display on

C	0	cursor off
	1	cursor on

B	0	blink off
	1	blink on

I/D	0	decrement mode
	1	increment mode

SH	0	entire shift off
	1	entire shift on

14. Standard Character pattern

Higher 4-bit of character code (Hex.)

	0	1	2	3	4	5	6	7	8	9	A	B	C	D	E	F
0	CG RAM (1)			0	@	P	`	Ɔ				一	夕	三	α	ρ
1	(2)		!	1	A	Q	a	9			。	ア	チ	△	ä	q
2	(3)		"	2	B	R	b	r			「	イ	ツ	×	β	θ
3	(4)		#	3	C	S	c	s			」	ウ	テ	ε	ε	∞
4	(5)		\$	4	D	T	d	t			、	エ	ト	†	μ	Ω
5	(6)		%	5	E	U	e	u			・	オ	ナ	1	σ	ü
6	(7)		&	6	F	V	f	v			ヲ	カ	ニ	ヨ	ρ	Σ
7	(8)		'	7	G	W	g	w			ヲ	キ	ヌ	ラ	g	π
8	(9)		<	8	H	X	h	x			イ	ク	ネ	リ	γ	×
9	(0)		>	9	I	Y	i	y			ウ	ケ	ル	ル	γ	γ
A	(1)		*	:	J	Z	j	z			エ	コ	ン	レ	j	¥
B	(2)		+	;	K	[k	{			オ	サ	ヒ	ロ	*	万
C	(3)		,	<	L	¥	l				カ	シ	フ	フ	φ	円
D	(4)		-	=	M]	m	}			ユ	ズ	へ	ン	も	÷
E	(5)		.	>	N	^	n	→			ヨ	セ	ホ	°	ñ	
F	(6)		/	?	O	_	o	€			ッ	ッ	マ	°	ö	■

Lower 4-bit of character code (Hex.)

15. Revision records

Version	Ref.pages	Revision Items	Date
A00	All pages	New release	2005.03.01