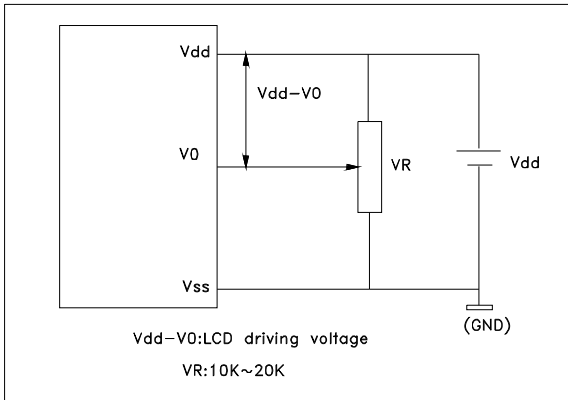


TC1602A-08

Series

Display Format	16 Characters X 2 Line
Drive Method	1/16 Duty , 1/5 Bias
LCD Type	FSTN/Positive/Transmissive
Viewing direction	6:00
LED Backlight	White
Operating Temperature	-10°C~+60°C
Storage Temperature	-20°C~+70°C

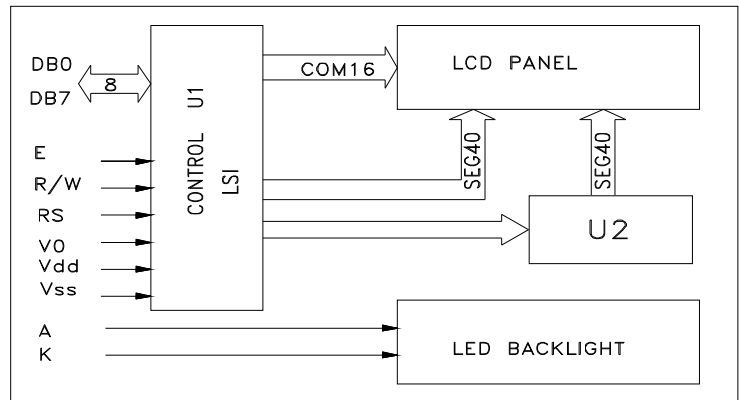
Power supply



Electrical Characteristics

ITEM	Symbol	Condition	Standard value			UNIT
			Min.	Type.	Max.	
Supply Voltage For Logic	$V_{DD}-V_{SS}$	--	4.5	5.0	5.5	V
Supply Voltage For LCD	$V_{DD}-V_0$	--	4.5	4.7	4.9	V
Input High Voltage	V_{IH}	--	2.2	--	V_{DD}	V
Input Low Voltage	V_{IL}	--	-0.3	--	0.6	V
output High Voltage	V_{OH}	$I_{OH}=0.1mA$	0.9VDD	--	--	V
output Low Voltage	V_{OL}	$I_{OL}=0.1mA$	--	--	0.4	V
Power Supply Current	I_{DD}	$V_{DD}=5.0V$	--	1.3	3.0	mA
With B/L	I_{LED}	$V_{LED}=5.0V$	--	18	20	mA

Block Diagram



EXTERNAL DIMENSIONS AND DISPLAY PATTERN

