

TC1602A-09

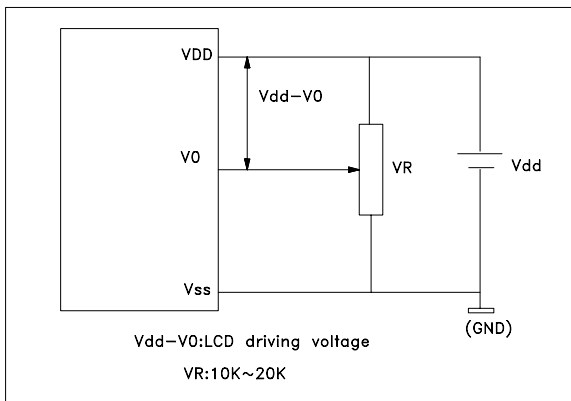
Series

Display Format	16 Characters X 2 Lines
Drive Method	1/16 Duty , 1/5 Bias
LCD Type	STN Blue
LED Backlight	white
Viewing direction	6 : 00
Operating Temperature	0 ~+50

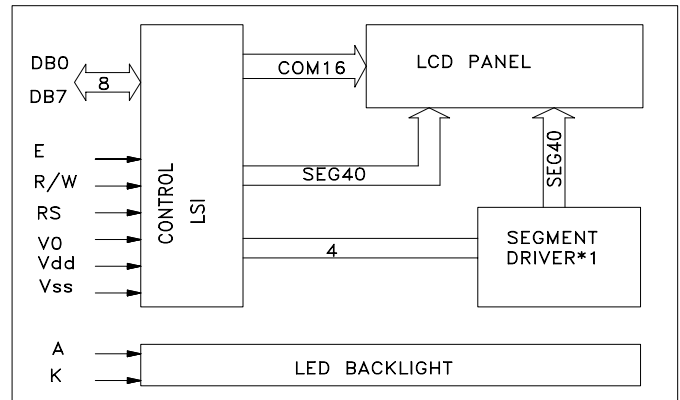
Electrical Characteristics

ITEM	Symbol	Condition	Standard value			UNIT
			Min.	Typ.	Max.	
Supply Voltage For Logic	$V_{DD}-V_{SS}$	--	4.5	5.0	5.5	V
Supply Voltage For LCD	$V_{DD}-V_0$	--	--	4.7	--	V
Input High Voltage	V_{IH}	--	2.2	--	5.0	V
Input Low Voltage	V_{IL}	--	-0.3	--	0.6	V
output High Voltage	V_{OH}	$I_{OH}=-0.1mA$	2.4	--	5.0	V
output Low Voltage	V_{OL}	$I_{OL}=0.1mA$	--	--	0.4	V
Power Supply Current	I_{DD}	$V_{DD}=5.0V$	--	1.5	3.0	mA
With B/L	I_{LED}	$V_{DD}=5.0V$	--	18	--	mA

Power supply



Block Diagram



EXTERNAL DIMENSIONS AND DISPLAY PATTERN

