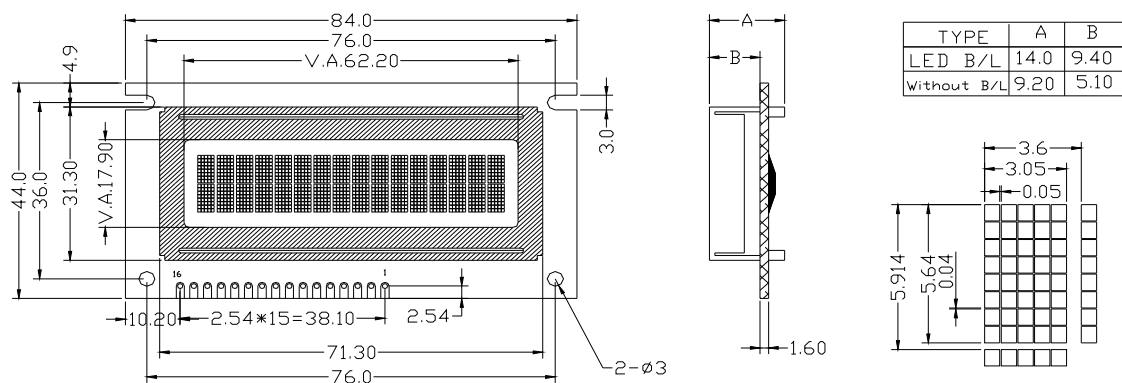


EXTERNAL DIMENSIONS AND DISPLAY PATTERN



MECHANICAL DATA (Nominal dimensions)

ITEM	SPECIFICATION	UNIT
Module Size(WxH)	84.0x44.0	mm
Viewing Area(WxH)	62.2x17.9	mm
Internal Area(WxH)	57.05x11.554	mm
Dot pitch(WxH)	0.62x0.71	mm
Dot Size(WxH)	0.57x0.67	mm
Character Pitch(WxH)	3.60x5.914	mm
Character Size(WxH)	3.05x5.64	mm
Number of character	16characterx2line	char

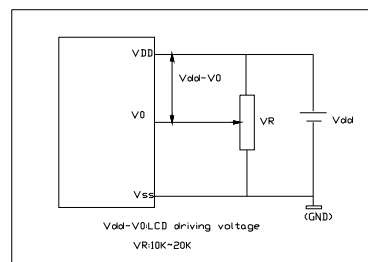
PIN CONFIGURATION

ITEM	SYMBOL	DESCRIPTION
1	VSS	Ground
2	VDD	Power supply for logic and LCD
3	V0	Operating voltage for LCD
4	RS	Register select
5	R/W	Read/Write Select
6	E	Read/Write Enable
7-14	D0-D7	Data Bus
15	LED+	Anode of LED
16	LED-	Cathode of LED

ELECTRICAL CHARACTERISTICS

Item	Symbol	Test Condition	Standard value			Unit
			min.	typ.	max.	
Supply Voltage for Logic	$V_{DD}-V_{SS}$	-	4.5	5.0	5.5	V
Supply Voltage for LCD	$V_{DD}-V_0$	-	0	-	5.0	V
Input high Voltage	V_{IH}	-	2.2	-	V_{DD}	V
Input low Voltage	V_{IL}	-	-0.3	-	0.6	V
Output high Voltage	V_{OH}	$-I_{OH}=0.2mA$	2.4	-	-	V
Output low Voltage	V_{OL}	$I_{OL}=1.2mA$	-	-	0.4	V
Power Supply Current	I_{DD}	$V_{DD}=5.0V$	-	1.5	3.0	mA
With B/L	I_{DD}	$V_{DD}=5.0V$	-	110	-	mA
Drive method			1/16Duty		1/5Bias	

Power supply



Block diagram

