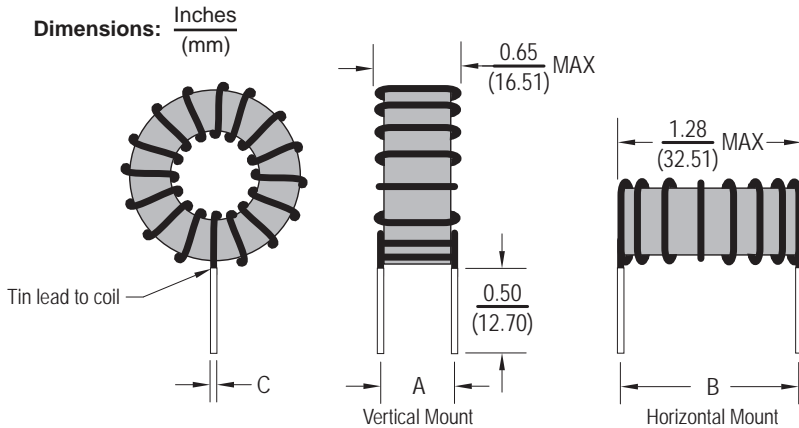




Toroidal Chokes High Temp

TC230HT



Allied Part Number	Inductance (μH) @ 1KHZ	Tolerance (%)	L(μH) @	IDC (A)	DCR (Ω) MAX	DIM A (Nom)	DIM B (Nom)	DIM C (Nom)
()TC230HT-1R2L-RC	1.2	15	1.0	38.7	.002	.56	1.18	.066
()TC230HT-1R8L-RC	1.8	15	1.5	34.6	.003	.56	1.18	.066
()TC230HT-2R7L-RC	2.7	15	2.2	31.6	.003	.56	1.18	.066
()TC230HT-3R9L-RC	3.9	15	3.1	29.2	.004	.56	1.18	.066
()TC230HT-4R7L-RC	4.7	15	3.7	27.3	.004	.56	1.18	.066
()TC230HT-5R6L-RC	5.6	15	4.3	25.8	.005	.56	1.18	.066
()TC230HT-6R8L-RC	6.8	15	5.1	24.5	.005	.56	1.18	.066
()TC230HT-8R2L-RC	8.2	15	6.0	24.3	.005	.56	1.18	.066
()TC230HT-100L-RC	10	15	7.2	23.3	.006	.56	1.18	.066
()TC230HT-120L-RC	12	15	8.5	22.4	.006	.56	1.18	.066
()TC230HT-150L-RC	15	15	10.3	20.8	.007	.56	1.18	.066
()TC230HT-180L-RC	18	15	12.2	20.2	.007	.56	1.18	.066
()TC230HT-220L-RC	22	15	14.5	19.0	.008	.56	1.18	.066
()TC230HT-270L-RC	27	15	19.2	14.3	.014	.53	1.14	.053
()TC230HT-330L-RC	33	15	23.0	13.6	.015	.53	1.14	.053
()TC230HT-390L-RC	39	15	26.7	13.0	.017	.53	1.14	.053
()TC230HT-470L-RC	47	15	34.7	10.0	.028	.52	1.13	.042
()TC230HT-560L-RC	56	15	40.8	9.7	.030	.52	1.13	.042
()TC230HT-680L-RC	68	15	48.5	9.2	.034	.52	1.13	.042
()TC230HT-820L-RC	82	15	57.4	8.8	.037	.52	1.13	.042
()TC230HT-101L-RC	100	15	68.3	8.3	.041	.56	1.17	.042
()TC230HT-121L-RC	120	15	80.5	8.0	.045	.56	1.17	.042
()TC230HT-151L-RC	150	15	97.9	7.5	.050	.56	1.17	.042
()TC230HT-181L-RC	180	15	114.5	7.2	.055	.56	1.17	.042
()TC230HT-221L-RC	220	15	136.6	6.8	.061	.56	1.17	.042
()TC230HT-271L-RC	270	15	163.2	6.5	.067	.56	1.17	.042
()TC230HT-331L-RC	330	15	218.3	4.9	.100	.54	1.16	.037
()TC230HT-391L-RC	390	15	252.8	4.7	.130	.54	1.16	.037
()TC230HT-471L-RC	470	15	297.9	4.5	.140	.54	1.16	.037
()TC230HT-561L-RC	561	15	389.1	3.4	.240	.53	1.14	.027
()TC230HT-681L-RC	680	15	461.4	3.2	.270	.53	1.14	.027
()TC230HT-821L-RC	820	15	545.2	3.1	.300	.53	1.14	.027
()TC230HT-102L-RC	1000	15	648.2	2.9	.330	.58	1.17	.027

Features

- High Temperature rating up to 200°C
- Low Magnetic Radiation
- Low Core Loss
- High current capacity up to 38A
- Available in Horizontal or Vertical configuration
- Optional Tape Cover

Electrical

Inductance Range: 1.2μh to 1000μh
 Additional values available
Tolerance: 15% over entire range
Test Frequency: 1KHz
Operating Temp: -55°C ~ +200°C
Temp Rise: ΔT=50°C Typical at rated IDC

Test Equipment

(L): 100 LCR meter or equivalent
DCR: Chen Hwa 502

Physical

Packaging: Bulk
Marking: None

Please specify Vertical or Horizontal Mount by placing a V or H at the beginning of the part number, i.e. VTC230HT-100L (Vertical Mount). All specifications subject to change without notice.