

TC35661SBG-501 Bluetooth™ IC Embedded Profile Series [SPP+GATT]

Supported Functions Specification Overview

Rev 1.00



Contents

1.	General Description	3
1.1	Product Concept	3
1.2	Features	3
1.3	Bluetooth™ Support Feature List	4
2.	Pin Function	5
2.1	Pin Functions	5
2.1.1	Power Supply Pins	8
2.2	System Configuration Example	9
	RESTRICTIONS ON PRODUCT USE	10

1. General Description

1.1 Product Concept

TC35661SBG-501 is a 1-chip CMOS LSI for Bluetooth™ communication, which includes an RF analog part and a Base band digital part. TC35661 provides Bluetooth™ SPP (Serial Port Profile) function, GATT(Generic Attribute Profile) function, and LE(Low Energy) function specified in Bluetooth™ Specifications.

1.2 Features

- EEPROM Interface
 - ✧ I2C interface
- Host CPU Interface
 - ✧ UART interface: Baud rate from 2.4kbps to 4.33Mbps
- General Purpose I/O (GPIO) with pull-up and pull-down resistors (19 pins)
- Wake-up Interface
 - ✧ Wake-up input function and remote wake-up output function
- Supports Sleep Clock
 - ✧ Internal divider for base action clock
 - ✧ Supports external input
- Internal Sleep function
- LED Switching Function
- Power Supply: Single 1.8 3.6V
- Package
 - ✧ P-TFBGA64-0505-0.5 [64balls, 5x5 mm, 0.5 mm pitch, 1.2 mm height]

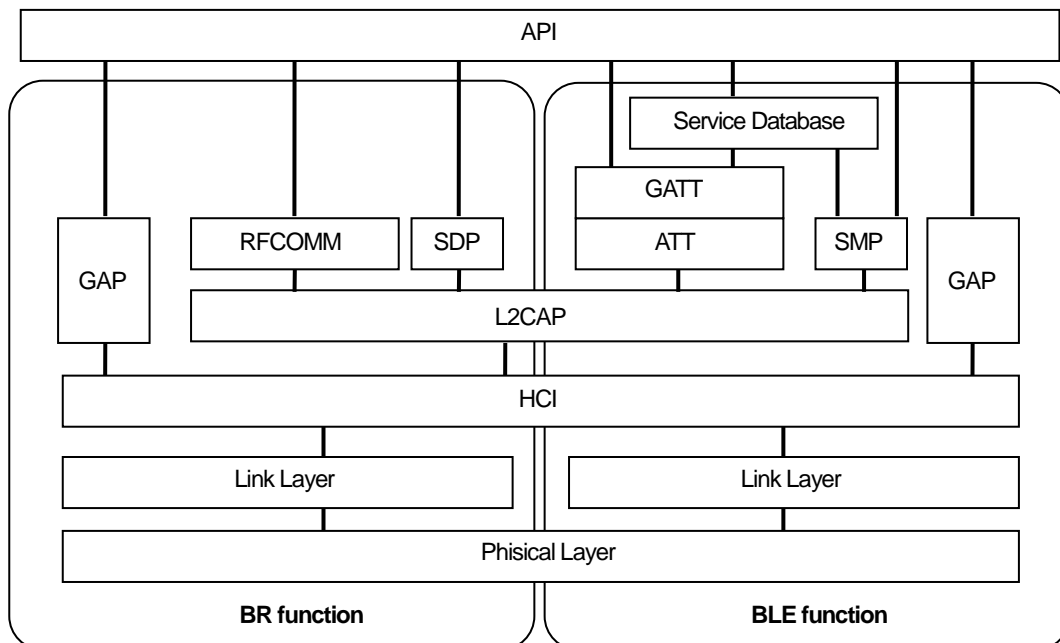


Figure 1-1 Bluetooth™ stack in TC35661SBG-501

1.3 Bluetooth™ Support Feature List

Items	Description	Notes
Bluetooth Core	4.0 Power Class 2	Basic Rate(BR) Supported LE Supported HS is not supported.
Feature (BR)	Sniff	Supported
	Park	Not Supported
	Hold	Not Supported
	BR- 3slot packet	Supported
	BR- 5slot packet	Supported
	2Mbps EDR-3slot packet	Not Supported
	2Mbps EDR-5slot packet	Not Supported
	3Mbps EDR-3slot packet	Not Supported
	3Mbps EDR-5slot packet	Not Supported
	RSSI	Supported
	SecureSimplePairing	Supported
	PowerControl	Supported
	AFH	Supported
	SCO	Not Supported
	eSCO	Not Supported
	CQDDR	Not Supported
	Sniff subrating	Supported
	Secure Simple Pairing	Supported
	UART Baudrate	115.2kbps is default. Selectable by command.
	UART Protocol	UART Transport Layer(Core4.0 Transport Layer Part A)
	Multi Profile/point	Not supported
	SPP-A	Supported
	SPP-B	Supported
	SPP UUID Assignment	Supported
	USB	Not Supported
	WIFI Co-Ex	Not Supported
ScatterNet	Not Supported	
Feature (LE)	Central	Not Supported
	Peripheral	Supported
	Multi Profile/point	Not Supported
	ConnectionUpdate	Supported
	Random Address	Supported
	WhiteList	Supported
	SecurityProperty(JustWork)	Supported
	SecurityProperty(PassKey)	Supported
	SecurityProperty(NumericComparison)	Supported
	GATT-Client	Supported
	GATT-Server	Supported
	Broadcaster	Supported
	Observer	Not Supported
Dual	BR Page scan and LE Advertising simultaneously	Supported
	SPP+GATT connection establishment simultaneously	Not Supported

Table 1-1 Support Feature List

2. Pin Function

2.1 Pin Functions

Table 1-1 Pin Functions

Pin name	Pin No.	Attribute VDD category Direction Type	Conditon After bootsetip	Functional description
USB interface				
USBDP	B7	DVDD33USB IN/OUT Differential	IN	Unused. This pin have to be connected to GND.
USBDM	B8	DVDD33USB IN/OUT Differential	IN	Unused. This pin have to be connected to GND.
General purpose I/O port				
GPIO0	C7	DVDDA IN/OUT PullReg Schmitt 1,2,4mA	IN	General purpose I/O pin 0(RequestWake-Up Input) After pin configuration by UART command, this pin is able to operate as Wake-Up input pin. If not used for this function, this pin needs to be pulled down by 100 kΩ.
GPIO1	A4	DVDDA IN/OUT PullReg Schmitt 1,2,4mA	OUT	General Purpose I/O pin 1(Status Output) After pin configuration by UART command, this pin is able to operate as Status output pin. If not used for this function, this pin needs to be kept open.
GPIO2	H8	DVddb IN/OUT PullReg Schmitt 1,2,4mA	OUT	General Purpose I/O pin 2(LED Switching Output) After pin configuration by UART command, this pin is able to operate as LED Switching output port. If not used for this function, this pin needs to be kept open.
GPIO3	G8	DVddb IN/OUT PullReg Schmitt 1,2,4mA	OUT	General Purpose I/O pin 3(LED Switching Output) After pin configuration by UART command, this pin is able to operate as LED Switching output port. If not used for this function, this pin needs to be kept open.
GPIO4	G7	DVddb IN/OUT PullReg Schmitt 1,2,4mA	OUT	General Purpose I/O pin 4(Request Wake-Up for Host CPU Output) After pin configuration by UART command, this pin is able to operate as Request Wake-Up for Host CPU output port. If not used for this function, this pin needs to be

				kept open.
GPIO5	G6	DVDDDB IN/OUT PullReg Schmitt 1,2,4mA	IN/OUT	General Purpose I/O pin 5 After pin configuration by UART command, this pin is able to operate as general-purpose input and output port. If not used for this function, this pin needs to be kept open.
GPIO6	E7	DVDDA IN/OUT PullReg Schmitt 1,2,4mA	OUT	General Purpose I/O pin 6(UART-TX port) After pin configuration by internal processing software, UART-TX pin for Host CPU interface.
GPIO7	F8	DVDDA IN/OUT PullReg Schmitt 1,2,4mA	IN	General Purpose I/O pin 7(UART-RX port) After pin configuration by internal processing software, UART-RX pin for Host CPU interface.
GPIO8	F7	DVDDA IN/OUT PullReg Schmitt 1,2,4mA	OUT	General Purpose I/O pin 8(UART-RTSX port) After pin configuration by internal processing software, UART-RTSX pin for Host CPU interface.
GPIO9	D7	DVDDA IN/OUT PullReg Schmitt 1,2,4mA	IN	General Purpose I/O pin 9(UART-CTSX port) After pin configuration by internal processing software, UART-CTSX pin for Host CPU interface.
GPIO10	B2	DVDDA IN/OUT PullReg Schmitt 1,2,4mA	IN/OUT	General Purpose I/O pin 10 After pin configuration by UART command, this pin is able to operate as general-purpose input and output port. If not used for this function, this pin needs to be kept open.
GPIO11	A2	DVDDA IN/OUT PullReg Schmitt 1,2,4mA	IN/OUT	General Purpose I/O pin 11 .After pin configuration by UART command, this pin is able to operate as general-purpose input and output port. If not used for this function, this pin needs to be kept open.
GPIO12	C6	DVDDA IN/OUT PullReg Schmitt 1,2,4mA	IN/OUT	General Purpose I/O pin 12 After pin configuration by UART command, this pin is able to operate as general-purpose input and output port. If not used for this function, this pin needs to be kept open.

GPIO13	D8	DVDDA IN/OUT PullReg Schmitt 1,2,4mA	IN/OUT	General Purpose I/O pin 13 After pin configuration by UART command, this pin is able to operate as general-purpose input and output port. If not used for this function, this pin needs to be kept open.
GPIO14	B6	DVDDA IN/OUT PullReg Schmitt 1,2,4mA	OUT	General Purpose I/O pin 14(SCL port) After pin configuration by UART command, this pin is able to operate as SCL signal for I2C function pin of serial memory interface. If not used for this function, this pin needs to be kept open.
GPIO15	B5	DVDDA IN/OUT PullReg Schmitt 1,2,4mA	IN/OUT	General Purpose I/O pin 15(DATA port) After pin configuration by UART command, this pin is able to operate as DATA signal for I2C pin of serial memory interface. If not used for this function, this pin needs to be kept open.
GPIO16	A5	DVDDA IN/OUT PullReg Schmitt 1,2,4mA	IN/OUT	General Purpose I/O pin 16 After pin configuration by UART command, this pin is able to operate as general-purpose input and output port. If not used for this function, this pin needs to be kept open.
GPIO17	A3	DVDDA IN/OUT PullReg Schmitt 1,2,4mA	IN/OUT	General Purpose I/O pin 17 After pin configuration by UART command, this pin is able to operate as general-purpose input and output port. If not used for this function, this pin needs to be kept open.
GPIO18	B4	DVDDA IN/OUT PullReg Schmitt 1,2,4mA	IN/OUT	General Purpose I/O pin 18 After pin configuration by UART command, this pin is able to operate as general-purpose input and output port. If not used for this function, this pin needs to be kept open.

2.1.1 Power Supply Pins

Table 1-2 Power supply pins

Pin name	Pin No.	Attribute	Conditon	Functional description
		type VDD/GND		
VDD/ GND				
DVDD33USB	A8	Digital VDD/GND	GND	Power supply pin for USB interface USB is not supported. This pin needs to be connected to GND.

2.2 System Configuration Example

This figure shows an example of system configuration.

Host interface = UART, Reference Clock = OSC Connection, external EEPROM connection

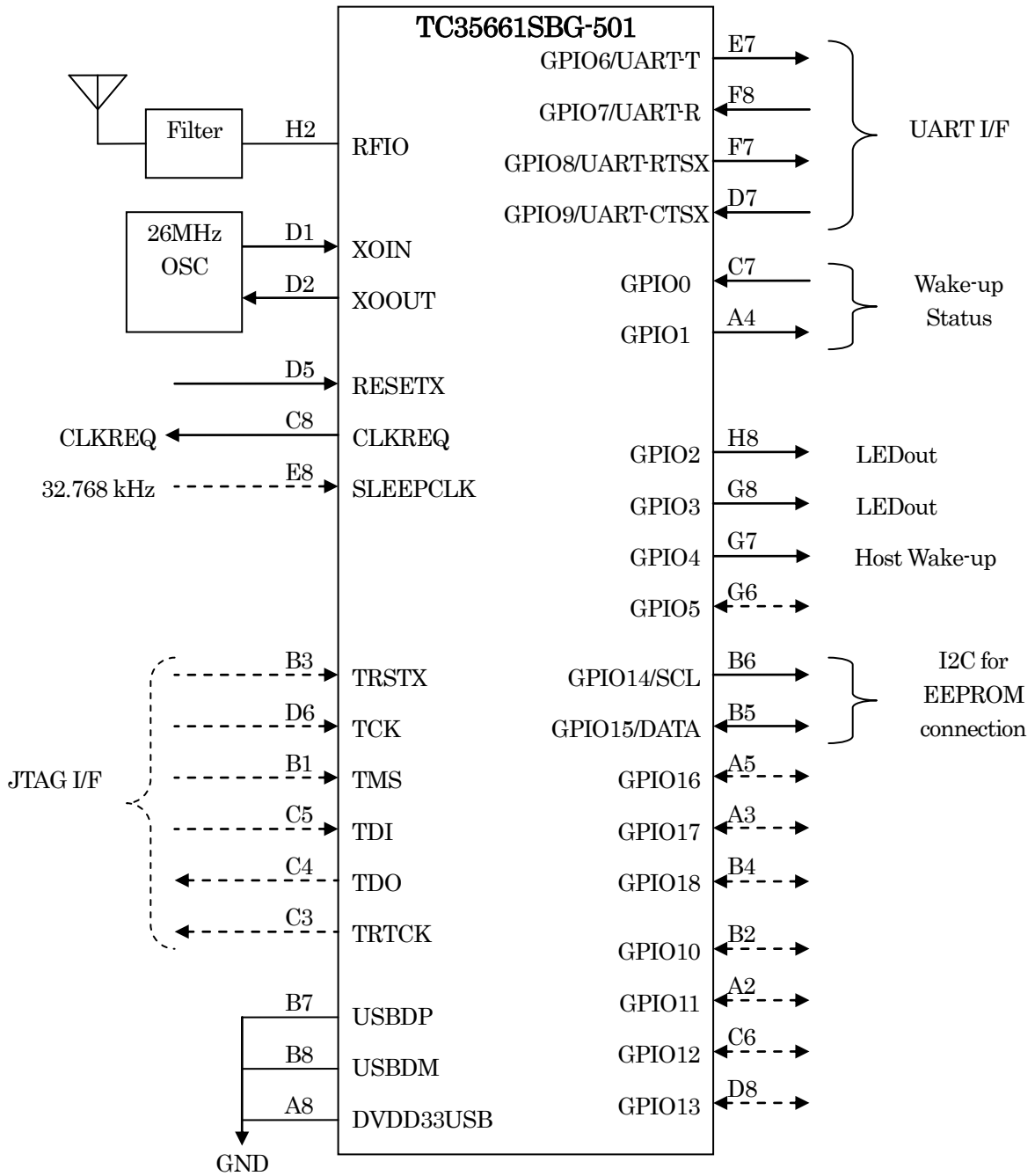


Figure 2-2 TC35661SBG-501 System Configuration Example

RESTRICTIONS ON PRODUCT USE

- Toshiba Corporation, and its subsidiaries and affiliates (collectively "TOSHIBA"), reserve the right to make changes to the information in this document, and related hardware, software and systems (collectively "Product") without notice.
- This document and any information herein may not be reproduced without prior written permission from TOSHIBA. Even with TOSHIBA's written permission, reproduction is permissible only if reproduction is without alteration/omission.
- Though TOSHIBA works continually to improve Product's quality and reliability, Product can malfunction or fail. Customers are responsible for complying with safety standards and for providing adequate designs and safeguards for their hardware, software and systems which minimize risk and avoid situations in which a malfunction or failure of Product could cause loss of human life, bodily injury or damage to property, including data loss or corruption. Before customers use the Product, create designs including the Product, or incorporate the Product into their own applications, customers must also refer to and comply with (a) the latest versions of all relevant TOSHIBA information, including without limitation, this document, the specifications, the data sheets and application notes for Product and the precautions and conditions set forth in the "TOSHIBA Semiconductor Reliability Handbook" and (b) the instructions for the application with which the Product will be used with or for. Customers are solely responsible for all aspects of their own product design or applications, including but not limited to (a) determining the appropriateness of the use of this Product in such design or applications; (b) evaluating and determining the applicability of any information contained in this document, or in charts, diagrams, programs, algorithms, sample application circuits, or any other referenced documents; and (c) validating all operating parameters for such designs and applications. **TOSHIBA ASSUMES NO LIABILITY FOR CUSTOMERS' PRODUCT DESIGN OR APPLICATIONS.**
- **PRODUCT IS NEITHER INTENDED NOR WARRANTED FOR USE IN EQUIPMENTS OR SYSTEMS THAT REQUIRE EXTRAORDINARILY HIGH LEVELS OF QUALITY AND/OR RELIABILITY, AND/OR A MALFUNCTION OR FAILURE OF WHICH MAY CAUSE LOSS OF HUMAN LIFE, BODILY INJURY, SERIOUS PROPERTY DAMAGE AND/OR SERIOUS PUBLIC IMPACT ("UNINTENDED USE").** Except for specific applications as expressly stated in this document, Unintended Use includes, without limitation, equipment used in nuclear facilities, equipment used in the aerospace industry, medical equipment, equipment used for automobiles, trains, ships and other transportation, traffic signaling equipment, equipment used to control combustions or explosions, safety devices, elevators and escalators, devices related to electric power, and equipment used in finance-related fields. **IF YOU USE PRODUCT FOR UNINTENDED USE, TOSHIBA ASSUMES NO LIABILITY FOR PRODUCT.** For details, please contact your TOSHIBA sales representative.
- Do not disassemble, analyze, reverse-engineer, alter, modify, translate or copy Product, whether in whole or in part.
- Product shall not be used for or incorporated into any products or systems whose manufacture, use, or sale is prohibited under any applicable laws or regulations.
- The information contained herein is presented only as guidance for Product use. No responsibility is assumed by TOSHIBA for any infringement of patents or any other intellectual property rights of third parties that may result from the use of Product. No license to any intellectual property right is granted by this document, whether express or implied, by estoppel or otherwise.
- **ABSENT A WRITTEN SIGNED AGREEMENT, EXCEPT AS PROVIDED IN THE RELEVANT TERMS AND CONDITIONS OF SALE FOR PRODUCT, AND TO THE MAXIMUM EXTENT ALLOWABLE BY LAW, TOSHIBA (1) ASSUMES NO LIABILITY WHATSOEVER, INCLUDING WITHOUT LIMITATION, INDIRECT, CONSEQUENTIAL, SPECIAL, OR INCIDENTAL DAMAGES OR LOSS, INCLUDING WITHOUT LIMITATION, LOSS OF PROFITS, LOSS OF OPPORTUNITIES, BUSINESS INTERRUPTION AND LOSS OF DATA, AND (2) DISCLAIMS ANY AND ALL EXPRESS OR IMPLIED WARRANTIES AND CONDITIONS RELATED TO SALE, USE OF PRODUCT, OR INFORMATION, INCLUDING WARRANTIES OR CONDITIONS OF MERCHANTABILITY, FITNESS FOR A PARTICULAR PURPOSE, ACCURACY OF INFORMATION, OR NONINFRINGEMENT.**
- Do not use or otherwise make available Product or related software or technology for any military purposes, including without limitation, for the design, development, use, stockpiling or manufacturing of nuclear, chemical, or biological weapons or missile technology products (mass destruction weapons). Product and related software and technology may be controlled under the applicable export laws and regulations including, without limitation, the Japanese Foreign Exchange and Foreign Trade Law and the U.S. Export Administration Regulations. Export and re-export of Product or related software or technology are strictly prohibited except in compliance with all applicable export laws and regulations.
- Please contact your TOSHIBA sales representative for details as to environmental matters such as the RoHS compatibility of Product. Please use Product in compliance with all applicable laws and regulations that regulate the inclusion or use of controlled substances, including without limitation, the EU RoHS Directive. **TOSHIBA ASSUMES NO LIABILITY FOR DAMAGES OR LOSSES OCCURRING AS A RESULT OF NONCOMPLIANCE WITH APPLICABLE LAWS AND REGULATIONS.**