

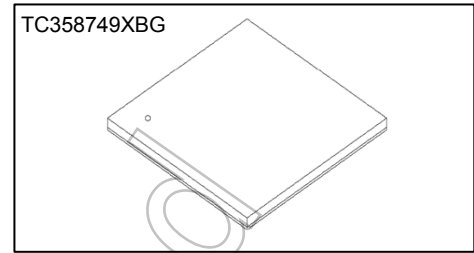
CMOS Digital Integrated Circuit Silicon Monolithic

TC358749XBG

Mobile Peripheral Devices

Overview

The HDMI-RX to MIPI CSI-2-TX is a bridge device that converts HDMI® stream to MIPI® CSI-2 while providing de-interlacing (for test purpose) and auto-scaling features. TC358749XBG shares the same 80-pin package as that of TC358779XBG.



TC358749XBG
P-VFBGA80-0707-0.65-001
Weight: 77mg (Typ.)

Features

- **HDMI-RX Interface**
 - ✧ HDMI 1.4b
 - Video Formats Support (Up to 1080p @60fps)
 - RGB, YCbCr444: 24-bpp @60fps
 - YCbCr422 24-bpp @60fps
 - Audio Supports
 - Internal Audio PLL to track N/CTS value transmitted by the ACR packet.
 - 3D Support
 - HDCP1.4a Support (optional)
 - EDID Support
 - Release A, Revision 1 (Feb 9, 2000)
 - First 128 byte (EDID 1.3 structure)
 - First E-EDID Extension: 128 bytes of CEA Extension version 3 (specified in CEA-861-D)
 - Embedded 1K-byte SRAM (EDID_SRAM)
 - Maximum HDMI clock speed: 165 MHz
 - ✧ Does not support Audio Return Path and HDMI Ethernet Channels
- **CSI-2 TX Interface**
 - ✧ MIPI CSI-2 compliant (Version 1.1 22 November 2011)
 - ✧ Supports up to 4 data lanes @1Gbps/lane
 - ✧ Supports video data formats
 - RGB888, RGB666, YCbCr422* 16 & 24bit and YCbCr444
- **I²C Slave Interface**
 - ✧ Support for normal (100 kHz), fast mode (400 kHz) and ultra-fast mode (2 MHz)
 - ✧ Configure all TC358749 XBG internal registers
 - ✧ Support 2 I²C Slave Addresses (7'h0F & 7'h1F) selected through boot-strap pin (INT)
- **Audio Output Interface**

Any of the four audio interfaces are available: I2S, TDM, IEC60958 or SLIMbus (pins are multiplexed)

I2S Audio Interface

 - ✧ Up to 4 data lanes for 8-channel data
 - ✧ Support Master Clock mode only
 - ✧ Support 16, 18, 20 or 24-bit data (depend on HDMI input stream)
 - ✧ Support Left or Right-justify with MSB first
 - ✧ Support 32 bit-wide time-slot only
 - ✧ Output Audio Over Sampling clock (256fs)
 - ✧ Support IEC 60958 & 61937 formats (depending upon HDMI input stream) over I2S
 - ✧ Supports HBR audio stream split across 4 I2S lines if bandwidth higher than 12 MHz
- **TDM (Time Division Multiplexed) Audio Interface**
 - ✧ Fixed to 8 channels
 - ✧ Support Master Clock mode only
 - ✧ Support 16, 18, 20 or 24-bit PCM audio data word (depend on HDMI input stream)
 - ✧ Support 32 bit-wide time slot only
 - ✧ Output Audio OverSampling clock (256fs)
- **Digital Audio Interface**
 - ✧ Supports 2 channels (any 2 of the total 8) (depend on HDMI input stream)
 - ✧ Support IEC 60958 & 61937 formats (depending upon HDMI input stream)
- **SLIMbus Audio Interface**
 - ✧ Up to 8-channel data (2, 4, 6 or 8)
 - ✧ Supports Active Framer (Host) mode as well as active framer outside the chip
 - ✧ Active Manager is not supported.
 - ✧ Supports Isochronous, Pushed & Pulled protocols
 - Isochronous protocol supported only in Active manager scenario
 - ✧ Supports up to 28.8 MHz Root Clock Frequency (in Active Framer mode)
 - ✧ Supports up to 22 MHz clock frequency on Clk lane (in Active Framer mode)
- **Video Processing**
 - ✧ Input formats accepted:
 - RGB or YCbCr422
 - Interlaced or Progressive
 - 2D or 3D
 - Limited to 165 MHz PClk, 640x480, 720x480, 720x576, 1280x720, 1920x1080 or 1920x1200 are expected when scalar is used
 - ✧ Output formats supported:
 - RGB888, RGB666, YCbCr444 or YCbCr422
 - Interlaced (in case of no video processing) or Progressive
 - 2D or 3D
 - Limited by 4Gbps D-PHY bandwidth, 720x480, 1280x720, 1920x1080 or 1920x1200^{note1} are expected when scalar is invoked

- ◇ Scaling:
 - Hardware performs scaling automatically based on input and output frame size
 - HDMI Rx received input frame size and Panel size programmed in registers
 - Can be overwritten by Software if necessary
 - Horizontal Scaling factors supported:
 - 3-to-2, 1-to-2, 3-to-4, 3-to-8, 9-to-4 and 9-to-16
 - 2-to-3 and 1-to-3
 - Vertical Scaling factors supported:
 - 1-to-2, 3-to-2 and 3-to-4
 - 2-to-1 and 3-to-1
 - 2-to-3 and 4-to-9
 - 4-to-5 and 8-to-15
 - Special handling of 3D formats FP, SBS & T&B to avoid boundary artifacts.
- ◇ Color Space Conversion
 - RGB ⇔ YCbCr
 - Two sets of coefficients provided – 1 set for each direction
 - Both color space convertors can be enabled/disabled independent of each other.
- InfraRed (IR)
 - ◇ Support NEC InfraRed protocol.
- System
 - ◇ Internal core has two power domains (VDDC1 and VDDC2)
 - VDDC1 is “always-on” power domain
 - VDDC2 can be shut-off during deep sleep mode
- Power supply inputs
 - ◇ Core and MIPI D-PHY: 1.2V
 - ◇ I/O: 1.8V – 3.3V
 - ◇ HDMI: 3.3V
 - ◇ AVDDPLL: 1.2V

Not Recommended for New Design

Table of content

REFERENCES.....	6
1. Overview	7
2. Features	8
3. External Pins	11
3.1. TC358749XBG Pin Summary	11
3.2. Pin Summary	13
3.3. Pin Layout.....	14
4. Package	15
4.1. TC358749XBG Package (80-pin, P-VFBGA80-0707-0.65-001).....	15
5. Electrical Characteristics.....	16
5.1. Absolute Maximum Ratings.....	16
5.2. Operating Condition.....	16
6. Revision History	17
RESTRICTIONS ON PRODUCT USE.....	18

Table of Figures

Figure 1.1 TC358749XBG System Overview	7
Figure 3.1 TC358749XBG 80-Pin Layout Package (Top View)	14

List of Tables

Table 2-1 Power Consumption.....	10
Table 3-1 TC358749XBG Pin Name.....	11
Table 3-2 Pin Count Summary – TC358749XBG	13
Table 4-1 Mechanical Dimension for TC358749XBG.....	15
Table 6-1 Revision History	17

- HDMI is a trademark or registered trademark of HDMI Licensing, LLC in the United States and/or other countries.
- MIPI is registered trademarks of MIPI Alliance, Inc.

Not Recommended
for New Design

1 NOTICE OF DISCLAIMER

2 The material contained herein is not a license, either expressly or impliedly, to any IPR owned or controlled
3 by any of the authors or developers of this material or MIPI. The material contained herein is provided on
4 an "AS IS" basis and to the maximum extent permitted by applicable law, this material is provided AS IS
5 AND WITH ALL FAULTS, and the authors and developers of this material and MIPI hereby disclaim all
6 other warranties and conditions, either express, implied or statutory, including, but not limited to, any (if
7 any) implied warranties, duties or conditions of merchantability, of fitness for a particular purpose, of
8 accuracy or completeness of responses, of results, of workmanlike effort, of lack of viruses, and of lack of
9 negligence.

10 All materials contained herein are protected by copyright laws, and may not be reproduced, republished,
11 distributed, transmitted, displayed, broadcast or otherwise exploited in any manner without the express
12 prior written permission of MIPI Alliance. MIPI, MIPI Alliance and the dotted rainbow arch and all related
13 trademarks, tradenames, and other intellectual property are the exclusive property of MIPI Alliance and
14 cannot be used without its express prior written permission.

15 ALSO, THERE IS NO WARRANTY OF CONDITION OF TITLE, QUIET ENJOYMENT, QUIET
16 POSSESSION, CORRESPONDENCE TO DESCRIPTION OR NON-INFRINGEMENT WITH REGARD
17 TO THIS MATERIAL OR THE CONTENTS OF THIS DOCUMENT. IN NO EVENT WILL ANY
18 AUTHOR OR DEVELOPER OF THIS MATERIAL OR THE CONTENTS OF THIS DOCUMENT OR
19 MIPI BE LIABLE TO ANY OTHER PARTY FOR THE COST OF PROCURING SUBSTITUTE
20 GOODS OR SERVICES, LOST PROFITS, LOSS OF USE, LOSS OF DATA, OR ANY INCIDENTAL,
21 CONSEQUENTIAL, DIRECT, INDIRECT, OR SPECIAL DAMAGES WHETHER UNDER
22 CONTRACT, TORT, WARRANTY, OR OTHERWISE, ARISING IN ANY WAY OUT OF THIS OR
23 ANY OTHER AGREEMENT, SPECIFICATION OR DOCUMENT RELATING TO THIS MATERIAL,
24 WHETHER OR NOT SUCH PARTY HAD ADVANCE NOTICE OF THE POSSIBILITY OF SUCH
25 DAMAGES.

26 Without limiting the generality of this Disclaimer stated above, the user of the contents of this Document is
27 further notified that MIPI: (a) does not evaluate, test or verify the accuracy, soundness or credibility of the
28 contents of this Document; (b) does not monitor or enforce compliance with the contents of this Document;
29 and (c) does not certify, test, or in any manner investigate products or services or any claims of compliance
30 with the contents of this Document. The use or implementation of the contents of this Document may
31 involve or require the use of intellectual property rights ("IPR") including (but not limited to) patents,
32 patent applications, or copyrights owned by one or more parties, whether or not Members of MIPI. MIPI
33 does not make any search or investigation for IPR, nor does MIPI require or request the disclosure of any
34 IPR or claims of IPR as respects the contents of this Document or otherwise.

35 Questions pertaining to this document, or the terms or conditions of its provision, should be addressed to:

36 MIPI Alliance, Inc.
37 c/o IEEE-ISTO
38 445 Hoes Lane
39 Piscataway, NJ 08854
40 Attn: Board Secretary

REFERENCES

1. MIPI D-PHY, “MIPI_D-PHY_specification_v01-00-00, May 14, 2009”
2. MIPI CSI-2, “MIPI Alliance Specification for Display Serial Interface (CSI-2) Version 1.1 Revision 22 Nov 2011”
3. HDMI, “High-Definition Multimedia Interface Specification Version 1.4b March 4, 2010”
4. I²C bus specification, version 2.1, January 2000, Philips Semiconductor
5. IEC 60958, Digital Audio Interface, First Edition, 1999
6. IEC 61937, Digital audio – Interface for non-linear PCM encoded audio bit streams
7. MIPI SlimBus, “MIPI Alliance Specification for Serial Low-power Inter-chip Media Bus (SLIMbus) Version 1.01.01 – 14 July 2008”

Not Recommended
for New Design

1. Overview

The HDMI-RX to MIPI CSI-2-TX (H2C+) is a bridge device that converts HDMI stream to MIPI CSI-2 while providing de-interlacing (for test purpose) and auto-scaling features. System Overview block diagrams are shown below.

TC358749XBG share the same 80-pin package as that of TC358779XBG.

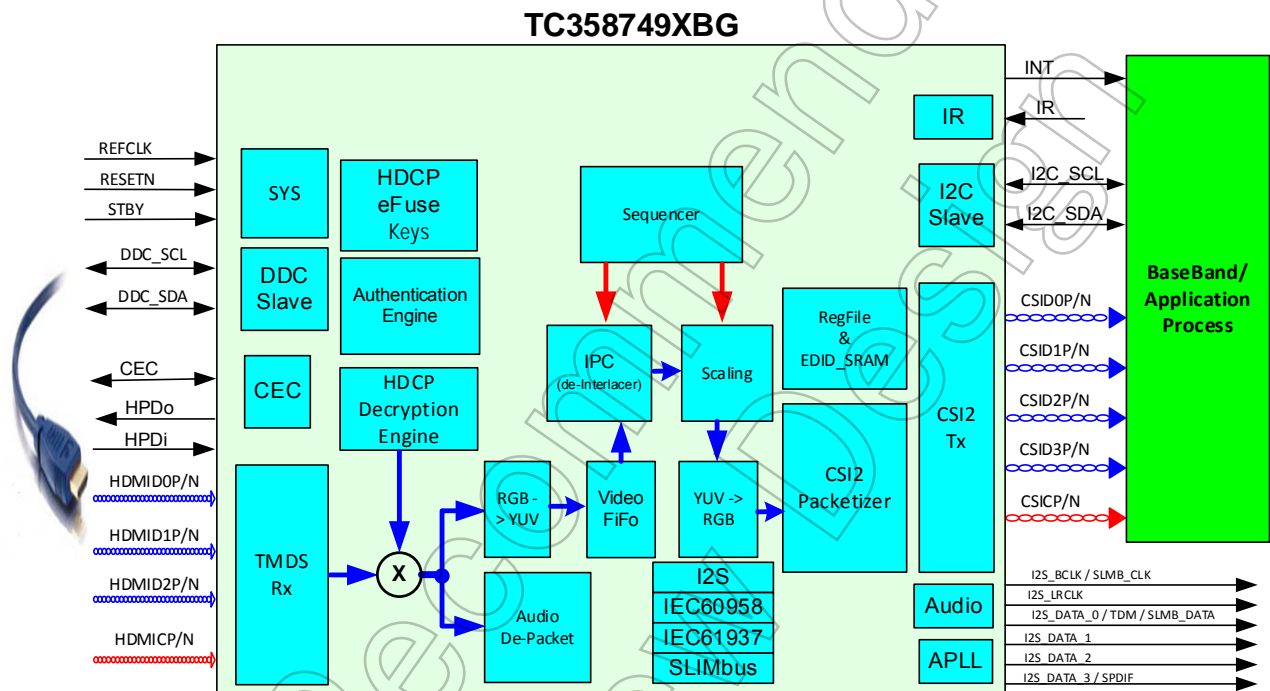


Figure 1.1 TC358749XBG System Overview

2. Features

Below are the main features supported by TC358749XBG.

- HDMI-RX Interface
 - ✧ HDMI 1.4b
 - Video Formats Support (Up to 1080p @60fps)
 - RGB, YCbCr444: 24-bpp @60fps
 - YCbCr422 24-bpp @60fps
 - Audio Supports
 - Internal Audio PLL to track N/CTS value transmitted by the ACR packet.
 - 3D Support
 - HDCP1.4a Support (optional)
 - EDID Support
 - Release A, Revision 1 (Feb 9, 2000)
 - First 128 byte (EDID 1.3 structure)
 - First E-EDID Extension: 128 bytes of CEA Extension version 3 (specified in CEA-861-D)
 - Embedded 1K-byte SRAM (EDID_SRAM)
 - Maximum HDMI clock speed: 165 MHz
 - ✧ Does not support Audio Return Path and HDMI Ethernet Channels
- CSI-2 TX Interface
 - ✧ MIPI CSI-2 compliant (Version 1.1 22 November 2011)
 - ✧ Supports up to 4 data lanes @1Gbps/lane
 - ✧ Supports video data formats
 - RGB888, RGB666, YCbCr422* 16 & 24bit and YCbCr444
- I²C Slave Interface
 - ✧ Support for normal (100 kHz), fast mode (400 kHz) and ultra-fast mode (2 MHz)
 - ✧ Configure all TC358749XBG internal registers
 - ✧ Support 2 I²C Slave Addresses (7'h0F & 7'h1F) selected through boot-strap pin (INT)
- Audio Output Interface

Any of the four audio interfaces are available: I2S, TDM, IEC60958 or SLIMbus (pins are multiplexed)

I2S Audio Interface

 - ✧ Up to 4 data lanes for 8-channel data
 - ✧ Support Master Clock mode only
 - ✧ Support 16, 18, 20 or 24-bit data (depend on HDMI input stream)
 - ✧ Support Left or Right-justify with MSB first
 - ✧ Support 32 bit-wide time-slot only
 - ✧ Output Audio Over Sampling clock (256fs)
 - ✧ Support IEC 60958 & 61937 formats (depending upon HDMI input stream) over I2S
 - ✧ Supports HBR audio stream split across 4 I2S lines if bandwidth higher than 12 MHz

TDM (Time Division Multiplexed) Audio Interface

 - ✧ Fixed to 8 channels
 - ✧ Support Master Clock mode only
 - ✧ Support 16, 18, 20 or 24-bit PCM audio data word (depend on HDMI input stream)
 - ✧ Support 32 bit-wide time slot only
 - ✧ Output Audio OverSampling clock (256fs)

Digital Audio Interface

 - ✧ Supports 2 channels (any 2 of the total 8) (depend on HDMI input stream)
 - ✧ Support IEC 60958 & 61937 formats (depending upon HDMI input stream)

- SLIMbus Audio Interface
 - ✧ Up to 8-channel data (2, 4, 6 or 8)
 - ✧ Supports Active Framer (Host) mode as well as active framer outside the chip
 - ✧ Active Manager is not supported.
 - ✧ Supports Isochronous, Pushed & Pulled protocols
 - Isochronous protocol supported only in Active manager scenario
 - ✧ Supports up to 28.8 MHz Root Clock Frequency (in Active Framer mode)
 - ✧ Supports up to 22 MHz clock frequency on Clk lane (in Active Framer mode)
- Video Processing
 - ✧ Input formats accepted:
 - RGB or YCbCr422
 - Interlaced or Progressive
 - 2D or 3D
 - Limited to 165 MHz PClk, 640x480, 720x480, 720x576, 1280x720, 1920x1080 or 1920x1200 are expected when scalar is used
 - ✧ Output formats supported:
 - RGB888, RGB666, YCbCr444 or YCbCr422
 - Interlaced (in case of no video processing) or Progressive
 - 2D or 3D
 - Limited by 4Gbps D-PHY bandwidth, 720x480, 1280x720, 1920x1080 or 1920x1200^{note1} are expected when scalar is invoked
 - ✧ Scaling:
 - Hardware performs scaling automatically based on input and output frame size
 - HDMI Rx received input frame size and Panel size programmed in registers
 - Can be overwritten by Software if necessary
 - Horizontal Scaling factors supported:
 - 3-to-2, 1-to-2, 3-to-4, 3-to-8, 9-to-4 and 9-to-16
 - 2-to-3 and 1-to-3
 - Vertical Scaling factors supported:
 - 1-to-2, 3-to-2 and 3-to-4
 - 2-to-1 and 3-to-1
 - 2-to-3 and 4-to-9
 - 4-to-5 and 8-to-15
 - Special handling of 3D formats FP, SBS & T&B to avoid boundary artifacts.
 - ✧ Color Space Conversion
 - RGB ⇔ YCbCr
 - Two sets of coefficients provided – 1 set for each direction
 - Both color space converters can be enabled/disabled independent of each other.
- InfraRed (IR)
 - ✧ Support NEC InfraRed protocol.
- System
 - ✧ Internal core has two power domains (VDDC1 and VDDC2)
 - VDDC1 is “always-on” power domain
 - VDDC2 can be shut-off during deep sleep mode
- Power supply inputs
 - ✧ Core and MIPI D-PHY: 1.2V
 - ✧ I/O: 1.8V – 3.3V
 - ✧ HDMI: 3.3V
 - ✧ AVDDPLL: 1.2V
 - ✧ Power Consumption during typical operation at room temperature

Table 2-1 Power Consumption

		VDDC1	VDDC2	VDDIO1	VDDIO2	VDDMIPI	AVDD33	AVDD12	AVDDPLL	Total Power (mW)
		1.2V	1.2V	3.3V	1.8V	1.2V	3.3V	1.2V	1.2V	
1080p @ 60fps	Current (mA)	61.13		0.80	0.89	20.50	72.80	67.82	0.01	423.83
	Power (mW)	73.36		2.64	1.60	24.60	240.24	81.38	0.01	
720p → 1080p @ 30fps	Current (mA)	170.40		0.80	0.89	20.02	72.66	56.67	1.12	541.87
	Power (mW)	204.48		2.64	1.60	24.02	239.78	68.00	1.34	

Note:

TC358749XBG can support (includes scaling) most valid video stream resolutions; we only list some popular ones here.

Not Recommended for New Design

3. External Pins

3.1. TC358749XBG Pin Summary

Following table gives the signals of TC358749XBG and their function.

Table 3-1 TC358749XBG Pin Name

Group	Pin Name	I/O	Init (O)	Type	Function	Note
SYSTEM: RESET & CLOCK (5)	RESETN	I	-	Sch	System reset input, active low	1.8V - 3.3V
	REFCLK	I	-	N	Reference clock input (27/26MHz or 42MHz range)	1.8V - 3.3V
	TEST	I	-	N	TEST mode select 0: Normal mode 1: Test mode	1.8V - 3.3V
	STBY	I	-	N	Standby pin, active low	1.8V - 3.3V
	INT	O	L	N	Interrupt Output signal – active high (Level) I ² C Slv_Addr_Sel at boot-strap	1.8V - 3.3V
CSI-2 TX (10)	CSICP	O	H	MIPI-PHY	MIPI-CSI-2 clock positive	1.2V
	CSICN	O	H	MIPI-PHY	MIPI-CSI-2 clock negative	1.2V
	CSID0P	O	H	MIPI-PHY	MIPI-CSI-2 Data 0 positive	1.2V
	CSID0N	O	H	MIPI-PHY	MIPI-CSI-2 Data 0 negative	1.2V
	CSID1P	O	H	MIPI-PHY	MIPI-CSI-2 Data 1 positive	1.2V
	CSID1N	O	H	MIPI-PHY	MIPI-CSI-2 Data 1 negative	1.2V
	CSID2P	O	H	MIPI-PHY	MIPI-CSI-2 Data 2 positive	1.2V
	CSID2N	O	H	MIPI-PHY	MIPI-CSI-2 Data 2 negative	1.2V
	CSID3P	O	H	MIPI-PHY	MIPI-CSI-2 Data 3 positive	1.2V
CSID3N	O	H	MIPI-PHY	MIPI-CSI-2 Data 3 negative	1.2V	
HDMI-RX (8)	HDMICP	I	-	HDMI-PHY	HDMI Clock channel positive	3.3V
	HDMICN	I	-	HDMI-PHY	HDMI Clock channel negative	3.3V
	HDMID0P	I	-	HDMI-PHY	HDMI Data 0 channel positive	3.3V
	HDMID0N	I	-	HDMI-PHY	HDMI Data 0 channel negative	3.3V
	HDMID1P	I	-	HDMI-PHY	HDMI Data 1 channel positive	3.3V
	HDMID1N	I	-	HDMI-PHY	HDMI Data 1 channel negative	3.3V
	HDMID2P	I	-	HDMI-PHY	HDMI Data 2 channel positive	3.3V
	HDMID2N	I	-	HDMI-PHY	HDMI Data 2 channel negative	3.3V
DDC (2)	DDC_SCL	O D	-	FS-SOD	DDC Slave Clock	3.3V (Note1)
	DDC_SDA	O D	-	FS-SOD	DDC Slave data	3.3V (Note1)
CEC	CEC	O D	-	FS-SOD	CEC signal	3.3V
HPD (2)	HPDI	I	-	N	Hot-Plug Detect Input	3.3V (Note1)
	HPDO	O	L	N	Hot Plug Detect Output	3.3V
AUDIO (7)	A_SCK	IO	L	N	I ² S/TDM Bit/SLIMbus Clock signal	1.8V - 3.3V
	A_WFS	O	L	N	I ² S Word Clock or TDM Frame Sync signal	1.8V - 3.3V
	A_SD[0]	IO	L	N	I ² S (ch. 0,1)/TDM/SLIMbus data signal	1.8V - 3.3V
	A_SD[2:1]	O	LL	N	I ² S (ch. 2,3,4,5) data signal	1.8V - 3.3V
	A_SD[3]	O	L	N	I ² S (ch. 6,7) data signal	1.8V - 3.3V
	A_OSCK	O	L	N	Audio Over Sampling Clock	1.8V - 3.3V
IR	IR	I	-	Sch	InfraRed signal	1.8V - 3.3V
I ² C (2)	I2C_SCL	O D	-	FS-SOD	I ² C serial clock	1.8V - 3.3V
	I2C_SDA	O D	-	FS-SOD	I ² C serial data	1.8V - 3.3V
APLL (4)	BIASDA	O	L	-	BIAS signal	-
	DAOUT	O	H	-	Audio PLL clock Reference Output clock Please leave open when not used	-
	PCKIN	I	-	-	Audio PLL Reference Input clock Connect to AVSS through 0.1μF when not used	-
	PFIL	O	L	-	Audio PLL Low Pass Filter signal Connect to AVSS through 0.1μF when not used	-
POWER (11)	VDDC1	-	-	-	VDD for Internal Core (always ON) (1)	1.2V
	VDDC2	-	-	-	VDD for Internal Core (can be powered down) (2)	1.2V
	VDDIO1	-	-	-	VDDIO1 IO power supply (1)	3.3V
	VDDIO2	-	-	-	VDDIO2 IO power supply (1)	1.8V - 3.3V
	VDD_MIPI	-	-	-	VDD for the MIPI CSI-2 (1)	1.2V

Group	Pin Name	I/O	Init (O)	Type	Function	Note
	VDD_PLL11	-	-	-	VDD for PLL11 (1)	1.2V
	AVDD12	-	-	-	HDMI Phy 1.2V power supply (2)	1.2V
	AVDD33	-	-	-	HDMI Phy & APLL 3.3V power supply (2)	3.3V
GROUND (25)	VSS	-	-	-	Ground (25)	-
MISC	REXT ^(Note2)	-	-	-	External Reference Resistor	-
	VPGM ^(Note3)	-	-	-	eFuse program power supply	-

Total 80 pins

Note1: These IO are 5V tolerant.

Note2: Please connect to AVDD33 with a 2kΩ resistor (± 1%).

Note3: Please tie to ground.

Buffer Type Abbreviation:

N: Normal IO

FS-SOD: Failed Safe Pseudo open-drain output, Schmidt input

Sch: Schmidt input buffer

MIPI-PHY: front-end analog IO for CSI-2

HDMI-PHY: front-end analog IO for HDMI

Not Recommended for New Design

3.2. Pin Summary

Table 3-2 Pin Count Summary – TC358749XBG

Group Name	Pin Count	Notes
SYSTEM	5	-
CSI-2 TX	11	Include Power pins
HDMI RX	13	Include Power, External (Misc) Resistor pins.
DDC	2	-
CEC	1	-
Audio	7	-
I ² C	2	-
IR	1	-
HPD	2	-
APLL	4	Audio PLL – Include Power pin
POWER	7	IO, Core, eFuse
GROUND	25	IO, Core, Analog
TOTAL	80	-

Not Recommended for New Design

3.3. Pin Layout

Top View (through the die)

A1	A2	A3	A4	A5	A6	A7	A8	A9	A10
AVDD12	REXT	VDDC2	BIASDA	DAOUT	PFIL	VSS	VDD_PLL11	CSID3N	CSID3P
B1	B2	B3	B4	B5	B6	B7	B8	B9	B10
AVDD33	VSS	VSS	VSS	VSS	VSS	PCKIN	VSS	CSID2N	CSID2P
C1	C2	C3	C4	C5	C6	C7	C8	C9	C10
HDMICP	HDMICN							CSICN	CSICP
D1	D2	D3	D4	D5	D6	D7	D8	D9	D10
HDMID0P	HDMID0N		VSS	VSS	VSS	VSS		VSS	VDD_MIPI
E1	E2	E3	E4	E5	E6	E7	E8	E9	E10
HDMID1P	HDMID1N		VSS	VSS	VSS	VSS		CSID1N	CSID1P
F1	F2	F3	F4	F5	F6	F7	F8	F9	F10
HDMID2P	HDMID2N		VSS	VSS	VSS	VSS		CSID0N	CSID0P
G1	G2	G3	G4	G5	G6	G7	G8	G9	G10
AVDD33	VSS		VPGM	TEST	VSS	VSS		VSS	A_OSCK
H1	H2	H3	H4	H5	H6	H7	H8	H9	H10
AVDD12	CEC							A_SD_0	A_WFS
J1	J2	J3	J4	J5	J6	J7	J8	J9	J10
DDC_SCL	DDC_SDA	HPDO	INT	I2C_SCL	IR	REFCLK	VSS	A_SCK	A_SD_1
K1	K2	K3	K4	K5	K6	K7	K8	K9	K10
VDDC1	VDDIO1	HPDI	STBY	I2C_SDA	RESETN	VDDIO2	A_SD_3	A_SD_2	VDDC2

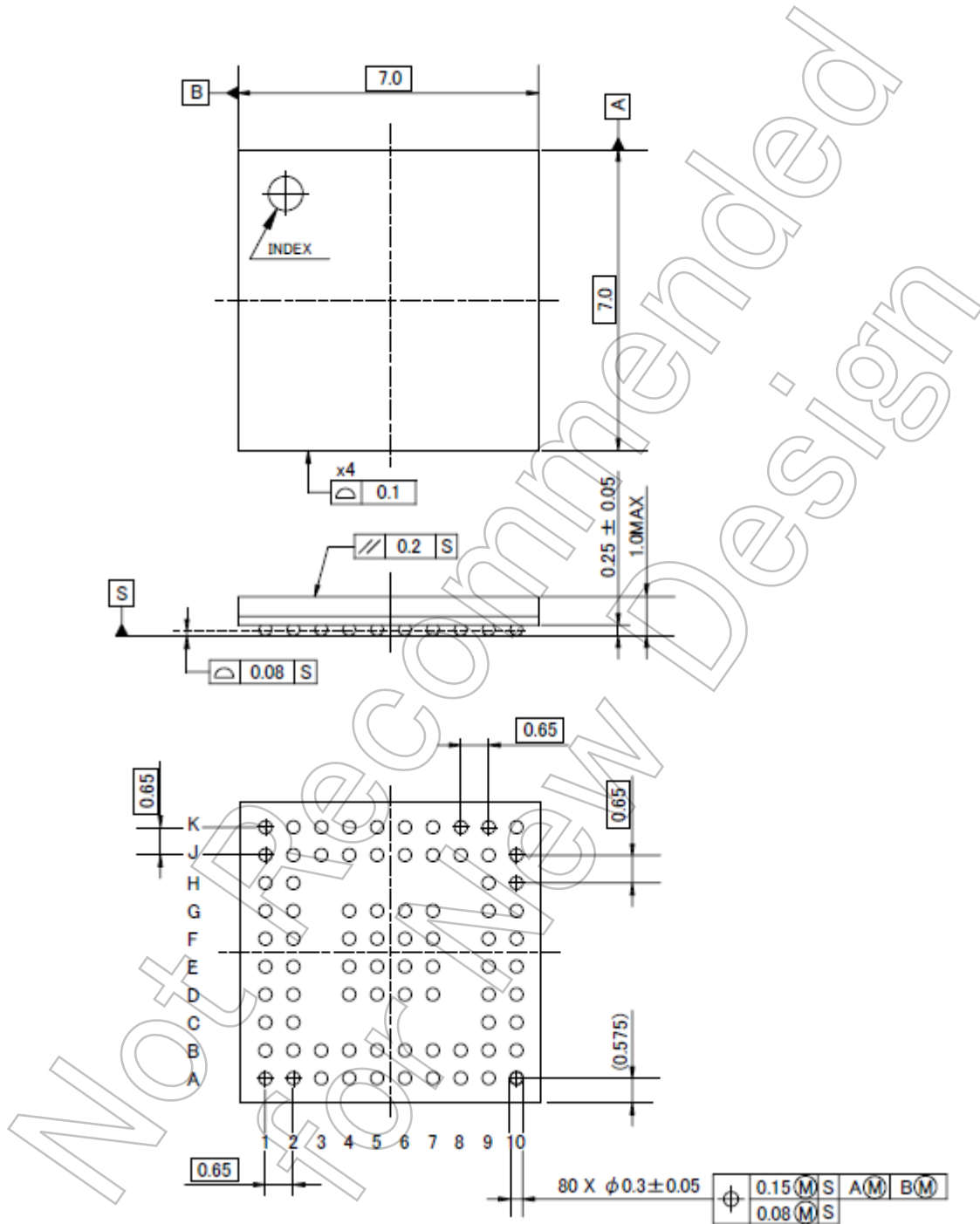
Figure 3.1 TC358749XBG 80-Pin Layout Package (Top View)

4. Package

4.1. TC358749XBG Package (80-pin, P-VFBGA80-0707-0.65-001)

P-VFBGA80-0707-0.65-001

"Unit:mm"



Weight: 77 mg (Typ.)

Table 4-1 Mechanical Dimension for TC358749XBG

Dimension	Min	Typ.	Max
Solder ball pitch	-	0.65 mm	-
Package dimension	-	7.0 x 7.0 mm ²	-
Package height	-	-	1.0 mm

5. Electrical Characteristics

5.1. Absolute Maximum Ratings

VSS= 0V reference

Parameter	Symbol	Rating	Unit
Supply voltage (1.8V - Digital IO)	VDDIO	-0.3 to +3.9	V
Supply voltage (1.2V - Digital Core)	VDDC	-0.3 to +1.8	V
Supply voltage (1.2V - MIPI CSI-2 PHY)	VDD_MIPI	-0.3 to +1.8	V
Supply voltage (3.3V - HDMIRX Phy)	AVDD33	-0.3 to +3.9	V
Supply voltage (1.2V - HDMIRX Phy)	AVDD12	-0.3 to +1.8	V
Input voltage (CSI-2 IO)	VIN_CSI-2	-0.3 to VDD_MIPI+0.3	V
Output voltage (CSI-2 IO)	VOUT_CSI-2	-0.3 to VDD_MIPI+0.3	V
Input voltage (Digital IO)	VIN_IO	-0.3 to VDDIO+0.3	V
Output voltage (Digital IO)	VOUT_IO	-0.3 to VDDIO+0.3	V
Junction temperature	Tj	125	°C
Storage temperature	Tstg	-40 to +125	°C

5.2. Operating Condition

VSS= 0V reference

Parameter	Symbol	Min	Typ.	Max	Unit
Supply voltage (1.8/3.3V - Digital IO)	VDDIO2	1.65	1.8	3.6	V
Supply voltage (3.3V - HDMI Digital IO)	VDDIO1	3.0	3.3	3.6	V
Supply voltage (1.2V - Digital Core)	VDDC	1.1	1.2	1.3	V
Supply voltage (3.3V - HDMIRX PHY)	AVDD33	3.135	3.3	3.465	V
Supply voltage (1.2V - HDMIRX PHY)	AVDD12	1.15	1.2	1.25	V
Supply voltage (1.2V - MIPI CSI-2 PHY)	VDD_MIPI	1.1	1.2	1.3	V
Operating temperature (ambient temperature with voltage applied)	Ta	-30	+25	+70	°C
Supply Noise Voltage	V _{SN}	-	-	100	mV _{pp}

6. Revision History

Table 6-1 Revision History

Revision	Date	Description
0.8321	2015-12-18	Newly released
0.8322	2016-02-04	•Delete TC358747XBG' s descriptions •Typo Init(O) DAOUT pin in External Pins
0.85	2016-09-13	Added comment to De-Interlace function.
0.87	2016-11-02	Deleted comment in part of Features.
1.0	2017-10-10	Added comment to HDCP. Changed header, footer and the last page. Changed corporate name.
1.1	2017-11-13	Modified values in Table 2-1.

Not Recommended
for New Design

RESTRICTIONS ON PRODUCT USE

Toshiba Corporation and its subsidiaries and affiliates are collectively referred to as "TOSHIBA". Hardware, software and systems described in this document are collectively referred to as "Product".

- TOSHIBA reserves the right to make changes to the information in this document and related Product without notice.
- This document and any information herein may not be reproduced without prior written permission from TOSHIBA. Even with TOSHIBA's written permission, reproduction is permissible only if reproduction is without alteration/omission.
- Though TOSHIBA works continually to improve Product's quality and reliability, Product can malfunction or fail. Customers are responsible for complying with safety standards and for providing adequate designs and safeguards for their hardware, software and systems which minimize risk and avoid situations in which a malfunction or failure of Product could cause loss of human life, bodily injury or damage to property, including data loss or corruption. Before customers use the Product, create designs including the Product, or incorporate the Product into their own applications, customers must also refer to and comply with (a) the latest versions of all relevant TOSHIBA information, including without limitation, this document, the specifications, the data sheets and application notes for Product and the precautions and conditions set forth in the "TOSHIBA Semiconductor Reliability Handbook" and (b) the instructions for the application with which the Product will be used with or for. Customers are solely responsible for all aspects of their own product design or applications, including but not limited to (a) determining the appropriateness of the use of this Product in such design or applications; (b) evaluating and determining the applicability of any information contained in this document, or in charts, diagrams, programs, algorithms, sample application circuits, or any other referenced documents; and (c) validating all operating parameters for such designs and applications. **TOSHIBA ASSUMES NO LIABILITY FOR CUSTOMERS' PRODUCT DESIGN OR APPLICATIONS.**
- **PRODUCT IS NEITHER INTENDED NOR WARRANTED FOR USE IN EQUIPMENTS OR SYSTEMS THAT REQUIRE EXTRAORDINARILY HIGH LEVELS OF QUALITY AND/OR RELIABILITY, AND/OR A MALFUNCTION OR FAILURE OF WHICH MAY CAUSE LOSS OF HUMAN LIFE, BODILY INJURY, SERIOUS PROPERTY DAMAGE AND/OR SERIOUS PUBLIC IMPACT ("UNINTENDED USE").** Except for specific applications as expressly stated in this document, Unintended Use includes, without limitation, equipment used in nuclear facilities, equipment used in the aerospace industry, medical equipment, equipment used for automobiles, trains, ships and other transportation, traffic signaling equipment, equipment used to control combustions or explosions, safety devices, elevators and escalators, devices related to electric power, and equipment used in finance-related fields. **IF YOU USE PRODUCT FOR UNINTENDED USE, TOSHIBA ASSUMES NO LIABILITY FOR PRODUCT.** For details, please contact your TOSHIBA sales representative.
- Do not disassemble, analyze, reverse-engineer, alter, modify, translate or copy Product, whether in whole or in part.
- Product shall not be used for or incorporated into any products or systems whose manufacture, use, or sale is prohibited under any applicable laws or regulations.
- The information contained herein is presented only as guidance for Product use. No responsibility is assumed by TOSHIBA for any infringement of patents or any other intellectual property rights of third parties that may result from the use of Product. No license to any intellectual property right is granted by this document, whether express or implied, by estoppel or otherwise.
- **ABSENT A WRITTEN SIGNED AGREEMENT, EXCEPT AS PROVIDED IN THE RELEVANT TERMS AND CONDITIONS OF SALE FOR PRODUCT, AND TO THE MAXIMUM EXTENT ALLOWABLE BY LAW, TOSHIBA (1) ASSUMES NO LIABILITY WHATSOEVER, INCLUDING WITHOUT LIMITATION, INDIRECT, CONSEQUENTIAL, SPECIAL, OR INCIDENTAL DAMAGES OR LOSS, INCLUDING WITHOUT LIMITATION, LOSS OF PROFITS, LOSS OF OPPORTUNITIES, BUSINESS INTERRUPTION AND LOSS OF DATA, AND (2) DISCLAIMS ANY AND ALL EXPRESS OR IMPLIED WARRANTIES AND CONDITIONS RELATED TO SALE, USE OF PRODUCT, OR INFORMATION, INCLUDING WARRANTIES OR CONDITIONS OF MERCHANTABILITY, FITNESS FOR A PARTICULAR PURPOSE, ACCURACY OF INFORMATION, OR NONINFRINGEMENT.**
- Do not use or otherwise make available Product or related software or technology for any military purposes, including without limitation, for the design, development, use, stockpiling or manufacturing of nuclear, chemical, or biological weapons or missile technology products (mass destruction weapons). Product and related software and technology may be controlled under the applicable export laws and regulations including, without limitation, the Japanese Foreign Exchange and Foreign Trade Law and the U.S. Export Administration Regulations. Export and re-export of Product or related software or technology are strictly prohibited except in compliance with all applicable export laws and regulations.
- Please contact your TOSHIBA sales representative for details as to environmental matters such as the RoHS compatibility of Product. Please use Product in compliance with all applicable laws and regulations that regulate the inclusion or use of controlled substances, including without limitation, the EU RoHS Directive. **TOSHIBA ASSUMES NO LIABILITY FOR DAMAGES OR LOSSES OCCURRING AS A RESULT OF NONCOMPLIANCE WITH APPLICABLE LAWS AND REGULATIONS.**