

**SIEMENS**  
mobile



# TC35i TC35i Terminal

**Siemens Cellular Engine**

Version: 02.07

DocId: TC35i\_ATC\_V02.07

AT Command Set

[www.DataSheet4U.com](http://www.DataSheet4U.com)

Document Name: **TC35i AT Command Set**

Version: **02.07**

Date: **January 30, 2004**

DocId: **TC35i\_ATC\_V02.07**

Status **Confidential / Released**

**General Notes**

Product is deemed accepted by recipient and is provided without interface to recipient's products. The documentation and/or product are provided for testing, evaluation, integration and information purposes. The documentation and/or product are provided on an "as is" basis only and may contain deficiencies or inadequacies. The documentation and/or product are provided without warranty of any kind, express or implied. To the maximum extent permitted by applicable law, Siemens further disclaims all warranties, including without limitation any implied warranties of merchantability, completeness, fitness for a particular purpose and non-infringement of third-party rights. The entire risk arising out of the use or performance of the product and documentation remains with recipient. This product is not intended for use in life support appliances, devices or systems where a malfunction of the product can reasonably be expected to result in personal injury. Applications incorporating the described product must be designed to be in accordance with the technical specifications provided in these guidelines. Failure to comply with any of the required procedures can result in malfunctions or serious discrepancies in results. Furthermore, all safety instructions regarding the use of mobile technical systems, including GSM products, which also apply to cellular phones must be followed. Siemens or its suppliers shall, regardless of any legal theory upon which the claim is based, not be liable for any consequential, incidental, direct, indirect, punitive or other damages whatsoever (including, without limitation, damages for loss of business profits, business interruption, loss of business information or data, or other pecuniary loss) arising out the use of or inability to use the documentation and/or product, even if Siemens has been advised of the possibility of such damages. The foregoing limitations of liability shall not apply in case of mandatory liability, e.g. under the German Product Liability Act, in case of intent, gross negligence, injury of life, body or health, or breach of a condition which goes to the root of the contract. However, claims for damages arising from a breach of a condition, which goes to the root of the contract, shall be limited to the foreseeable damage, which is intrinsic to the contract, unless caused by intent or gross negligence or based on liability for injury of life, body or health. The above provision does not imply a change on the burden of proof to the detriment of the recipient. Subject to change without notice at any time. The interpretation of this general note shall be governed and construed according to German law without reference to any other substantive law.

**Copyright**

Transmittal, reproduction, dissemination and/or editing of this document as well as utilization of its contents and communication thereof to others without express authorization are prohibited. Offenders will be held liable for payment of damages. All rights created by patent grant or registration of a utility model or design patent are reserved.

Copyright © Siemens AG January 30, 2004

## Contents

<b>1.</b>	<b>Introduction.....</b>	<b>12</b>
1.1	Scope of the document .....	12
1.2	Related documents .....	13
1.3	Document conventions.....	14
1.3.1	Quick reference table .....	14
1.3.2	Superscript notation for parameters and values.....	15
1.4	AT command syntax.....	16
1.4.1	Using parameters .....	16
1.4.2	Combining AT commands on the same command line.....	17
1.5	Supported character sets .....	18
1.5.1	GSM alphabet tables and UCS2 character values.....	20
1.5.2	UCS2 and GSM data coding and conversion for SMS text mode.....	22
1.5.2.1	Implementing output of SIM data to the TE (direction ME to TE).....	22
1.5.2.2	Implementing input of Terminal data to SIM (direction TE to ME).....	23
1.6	Flow Control .....	25
1.6.1	Software flow control (XON/OFF flow control) .....	25
1.6.2	Hardware flow control (RTS/CTS flow control).....	25
1.7	Unsolicited Result Code Presentation.....	26
1.7.1	Communication between Customer Application and TC35i.....	26
1.8	Errors and Messages .....	27
<b>2.</b>	<b>Configuration Commands.....</b>	<b>28</b>
2.1	AT&F Set all current parameters to manufacturer defaults.....	28
2.2	AT&V Display current configuration .....	29
2.2.1	AT&V responses .....	29
2.3	AT&W Stores current configuration to user defined profile .....	32
2.4	ATQ Set result code presentation mode .....	33
2.5	ATV Set result code format mode .....	34
2.5.1	Verbose and numeric result codes.....	34
2.6	ATX Set CONNECT result code format and call monitoring .....	36
2.7	ATV Set CONNECT result code format .....	37
2.8	ATZ Set all current parameters to user defined profile.....	38
2.9	AT+CFUN Set phone functionality .....	39
2.9.1	Wake up the ME from SLEEP mode .....	42
2.10	AT^SMSO Switch off mobile station.....	44
2.11	AT+GCAP Request complete TA capabilities list.....	45
2.12	AT+CMEE Report mobile equipment error .....	46
2.12.1	Summary of CME ERRORS related to GSM 07.07 .....	47
2.12.2	Summary of CMS ERRORS related to GSM 07.05 .....	48

2.13	AT+CSCS	Select TE character set .....	51
2.14	AT^SCFG	Extended Configuration Settings .....	53
2.15	AT^SM20	Set M20 compatibility mode .....	59
<b>3.</b>	<b>Status Control Commands</b>	.....	<b>61</b>
3.1	AT+CMER	Mobile Equipment Event Reporting .....	61
3.2	AT+CIND	Indicator control .....	64
3.3	AT^SIND	Extended Indicator Control .....	68
3.4	AT+CEER	Extended error report .....	71
3.4.1		Cause Location ID for the extended error report .....	73
3.4.2		GSM release cause for L3 Radio Resource (RR) .....	74
3.4.3		SIEMENS release cause for L3 Radio Resource (RR) .....	74
3.4.4		GSM release cause for Mobility Management (MM) .....	75
3.4.5		SIEMENS release cause for L3 Mobility Management (MM) .....	76
3.4.6		GSM release cause for L3 Call Control (CC) .....	76
3.4.7		SIEMENS release cause for L3 Call Control (CC) .....	78
3.4.8		SIEMENS release cause for L3 Advice of Charge (AOC) .....	78
3.4.9		GSM Release cause for Supplementary Service Call .....	78
3.4.10		SIEMENS release cause for Call-related Supplementary Services (CRSS) .....	80
3.5	ATS18	Extended call release report .....	82
3.6	AT+CPAS	Mobile equipment activity status .....	84
3.7	AT+WS46	Select wireless network .....	85
<b>4.</b>	<b>Serial Interface Control Commands</b>	.....	<b>86</b>
4.1	AT\Q	Flowcontrol .....	86
4.2	AT&C	Set circuit Data Carrier Detect (DCD) function mode .....	87
4.3	AT&D	Set circuit Data Terminal Ready (DTR) function mode .....	88
4.4	AT%D	Automatic Dial on DTR Line Activation .....	89
4.5	AT&S	Set circuit Data Set Ready (DSR) function mode .....	92
4.6	ATE	Enable command echo .....	93
4.7	AT+ICF	Serial Interface Character Framing .....	94
4.8	AT+IFC	Set Flow Control separately for data directions .....	96
4.9	AT+ILRR	Set TE-TA local rate reporting .....	98
4.10	AT+IPR	Set fixed local rate .....	100
4.10.1		Autobauding .....	102
4.11	AT+CMUX	Enter multiplex mode .....	103
4.11.1		Restrictions on Multiplex mode .....	104
4.12	AT^STPB	Transmit Parity Bit (for 7E1 and 7O1 only) .....	107
<b>5.</b>	<b>Security Commands</b>	.....	<b>109</b>
5.1	AT+CPIN	Enter PIN .....	109
5.1.1		What to do if PIN or password authentication fails? .....	111
5.2	AT+CPIN2	Enter PIN2 .....	113
5.3	AT^SPIC	Display PIN counter .....	116

5.4	AT+CLCK Facility lock .....	119
5.5	AT^SLCK Facility lock .....	125
5.6	AT+CPWD Change Password .....	126
5.7	AT^SPWD Change Password .....	130
<b>6.</b>	<b>Identification Commands .....</b>	<b>131</b>
6.1	ATI Display product identification .....	131
6.2	AT+CGMI Request manufacturer identification .....	132
6.3	AT+GMI Request manufacturer identification .....	133
6.4	AT+CGMM Request model identification .....	134
6.5	AT+GMM Request TA model identification .....	135
6.6	AT+CGMR Request revision identification of software status .....	136
6.7	AT+GMR Request TA revision identification of software status .....	137
6.8	AT+CGSN Request product serial number identification (IMEI) identical to GSN .....	138
6.9	AT+GSN Request TA serial number identification(IMEI) .....	139
6.10	AT+CIMI Request international mobile subscriber identity .....	140
<b>7.</b>	<b>Call related Commands .....</b>	<b>141</b>
7.1	ATA Answer a call .....	141
7.2	ATD Mobile originated call to dial a number .....	143
7.3	ATD<<mem><n> Originate call to phone number in memory .....	146
7.4	ATD<<n> Originate call to phone number selected from active memory .....	148
7.5	ATD<<str> Originate call to phone number in memory with corresponding field .....	150
7.6	ATDI Mobile originated call to dialable ISDN number <n> .....	152
7.7	ATDL Redial last telephone number used .....	153
7.8	ATH Disconnect existing connection .....	154
7.9	AT+CHUP Hang up call .....	155
7.10	AT^SHUP Hang up call(s) indicating a specific GSM04.08 release cause .....	156
7.11	ATS0 Set number of rings before automatically answering the call .....	158
7.12	ATS6 Set pause before blind dialing .....	159
7.13	ATS7 Set number of seconds to wait for connection completion .....	160
7.14	ATS8 Set number of seconds to wait for comma dialing modifier .....	161
7.15	ATS10 Set disconnect delay after indicating the absence of data carrier .....	162
7.16	ATP Select pulse dialing .....	163
7.17	ATO Switch from command mode to data mode .....	164
7.18	+++ Switch from data mode to command mode .....	165
7.19	ATT Select tone dialing .....	166
7.20	AT+CBST Select bearer service type .....	167
7.21	AT+CRLP Select radio link protocol param. for orig. non-transparent data call .....	169
7.22	AT+CLCC List current calls of ME .....	171
7.23	AT+CR Service reporting control .....	174
7.24	AT+CRC Set Cellular Result Codes for incoming call indication .....	176

7.25	AT+CSNS	Single Numbering Scheme	178
7.26	AT^SCNI	List Call Number Information	180
7.27	AT^SLCD	Display Last Call Duration	182
7.28	AT^STCD	Display Total Call Duration	183
<b>8.</b>	<b>Network Service Commands</b>		<b>184</b>
8.1	AT+COPN	Read operator names	184
8.2	AT+COPS	Operator selection	185
8.3	AT+CREG	Network registration	187
8.4	AT+CSQ	Signal quality	190
8.5	AT^SMONC	Cell Monitoring	192
8.6	AT^SMOND	Selective Cell Monitoring	194
8.7	AT^MONI	Monitor idle mode and dedicated mode	199
	8.7.1	AT^MONI responses	200
	8.7.2	Service states	201
	8.7.3	Notes	201
8.8	AT^MONP	Monitor neighbour cells	203
	8.8.1	AT^MONP responses	204
8.9	AT^SALS	Alternate Line Service	205
8.10	AT^SHOM	Display Homezone	207
8.11	AT^SPLM	Read the PLMN list	208
8.12	AT^SPLR	Read entry from the preferred operators list	209
8.13	AT^SPLW	Write an entry to the preferred operators list	211
<b>9.</b>	<b>Supplementary Service Commands</b>		<b>212</b>
9.1	AT+CACM	Accumulated call meter (ACM) reset or query	212
9.2	AT^SACM	Advice of charge and query of ACM and ACMmax	214
9.3	AT+CAMM	Accumulated call meter maximum (ACMmax) set or query	216
9.4	AT+CAOC	Advice of Charge information	218
9.5	AT+CCUG	Closed User Group	220
9.6	AT+CCFC	Call forwarding number and conditions control	222
9.7	AT+CCWA	Call Waiting	226
9.8	AT+CHLD	Call Hold and Multiparty	230
9.9	AT+CLIP	Calling line identification presentation	233
9.10	AT+CLIR	Calling line identification restriction	235
9.11	AT+CPUC	Price per unit and currency table	237
9.12	AT+CSSN	Supplementary service notifications	239
9.13	AT+CUSD	Supplementary service notifications	241
<b>10.</b>	<b>FAX Commands</b>		<b>243</b>
10.1	FAX parameters		243
10.2	AT+FBADLIN	Bad Line Treshold	246
10.3	AT+FBADMUL	Error Threshold Multiplier	247

10.4	AT+FBOR	Query data bit order.....	248
10.5	AT+FCIG	Query or set the Local polling id .....	249
10.6	AT+FCLASS	Fax: Select, read or test service class .....	250
10.7	AT+FCQ	Copy Quality Checking .....	252
10.8	AT+FCR	Capability to receive .....	253
10.9	AT+FDCC	Query or set capabilities .....	254
10.10	AT+FDFFC	Data Compression Format Conversion .....	255
10.11	AT+FDIS	Query or set session parameters .....	256
10.12	AT+FDR	Begin or continue phase C data reception .....	257
10.13	AT+FDT	Data Transmission.....	258
10.14	AT+FET	End a page or document .....	259
10.15	AT+FK	Kill operation, orderly FAX abort .....	260
10.16	AT+FLID	Query or set the Local Id setting capabilities .....	261
10.17	AT+FMDL	Identify Product Model .....	262
10.18	AT+FMFR	Request Manufacturer Identification.....	263
10.19	AT+FOPT	Set bit order independently .....	264
10.20	AT+FPHCTO	DTE Phase C Response Timeout.....	265
10.21	AT+FREV	Identify Product Revision .....	266
10.22	AT+FRH	Receive Data Using HDLC Framing .....	267
10.23	AT+FRM	Receive Data .....	268
10.24	AT+FRS	Receive Silence.....	269
10.25	AT+FTH	Transmit Data Using HDLC Framing.....	270
10.26	AT+FTM	Transmit Data.....	271
10.27	AT+FTS	Stop Transmission and Wait.....	272
10.28	AT+FVRFC	Vertical resolution format conversion .....	273
<b>11.</b>	<b>Short Message Service (SMS) Commands.....</b>		<b>274</b>
11.1	SMS parameters .....		274
11.2	AT+CMGC	Send an SMS command.....	279
11.3	AT+CMGD	Delete SMS message .....	280
11.4	AT+CMGF	Select SMS message format .....	281
11.5	AT+CMGL	List SMS messages from preferred store.....	282
11.6	AT+CMGR	Read SMS messages.....	284
11.7	AT+CMGS	Send SMS message .....	286
11.8	AT+CMGW	Write SMS messages to memory .....	288
11.9	AT+CMSS	Send SMS messages from storage .....	290
11.10	AT+CNMA	New SMS message acknowledge to ME/TE, only phase 2+ .....	291
11.11	AT+CNMI	New SMS message indications.....	293
11.12	AT+CPMS	Preferred SMS message storage.....	297
11.13	AT+CSCA	SMS service centre address.....	300
11.14	AT+CSCB	Select Cell Broadcast Message Indication .....	301



11.15 AT+CSDH	Show SMS text mode parameters.....	303
11.16 AT+CSMP	Set SMS text mode parameters .....	304
11.17 AT+CSMS	Select Message Service.....	306
11.18 AT^SCML	List Concatenated SMS messages from preferred store .....	308
11.19 AT^SCMR	Read concatenated SMS messages .....	310
11.20 AT^SCMS	Send concatenated SMS messages .....	312
11.21 AT^SCMW	Write concatenated SMS messages to memory .....	313
11.22 AT^SLMS	List SMS Memory Storage .....	314
11.23 AT^SMGL	List SMS messages from preferred store without setting status to REC READ .....	316
11.24 AT^SMGO	Set or query SMS overflow presentation mode or query SMS overflow .....	318
11.25 AT^SMGR	Read SMS message without setting status to REC READ .....	320
11.26 AT^SSCONF	SMS Configuration .....	321
11.27 AT^SSDA	Set SMS Display Availability .....	323
11.28 AT^SSMSS	Set Short Message Storage Sequence .....	325
<b>12.</b>	<b>SIM related Commands .....</b>	<b>326</b>
12.1	AT+CRSM Restricted SIM Access .....	326
12.2	AT^SCKS Query SIM and Chip Card Holder Status .....	329
12.3	AT^SSET Indicate SIM data ready.....	331
12.4	AT^SCID Display SIM card identification number .....	333
12.5	AT+CXXCID Display card ID.....	334
<b>13.</b>	<b>SIM Application Toolkit (SAT) Commands.....</b>	<b>335</b>
13.1	AT^SSTA SAT Interface Activation .....	335
13.2	^SSTN SAT Notification .....	337
13.3	AT^SSTGI SAT Get Information .....	339
13.4	AT^SSTR SAT Response .....	341
<b>14.</b>	<b>Phonebook Commands.....</b>	<b>343</b>
14.1	Sort Order for Phonebooks .....	343
14.2	AT+CPBR Read from Phonebook.....	344
14.3	AT+CPBS Select phonebook memory storage .....	347
14.4	AT+CPBW Write into Phonebook .....	349
14.5	AT^SPBC Search the first entry in the sorted telephone book.....	352
14.6	AT^SPBD Purge phonebook memory storage.....	354
14.7	AT^SPBG Read current Phonebook entries .....	356
14.8	AT^SPBS Step through the selected phonebook alphabetically .....	359
14.9	AT^SDLD Delete the 'last number redial' memory .....	363
<b>15.</b>	<b>Audio Commands .....</b>	<b>364</b>
15.1	Audio programming model .....	364
15.2	ATL Set monitor speaker loudness .....	365
15.3	ATM Set monitor speaker mode.....	366



15.4	AT+CLVL Loudspeaker volume level .....	367
15.5	AT+CMUT Mute control .....	369
15.6	AT+VTD Tone duration .....	370
15.7	AT+VTS DTMF and tone generation.....	371
15.8	AT^SAIC Audio Interface Configuration .....	373
15.9	AT^SNFA Set or query of microphone attenuation .....	375
15.10	AT^SNFD Set audio parameters to manufacturer default values .....	377
15.11	AT^SNFI Set microphone path parameters .....	378
15.12	AT^SNFM Mute microphone .....	380
15.13	AT^SNFO Set audio output (= loudspeaker path) parameter .....	382
15.14	AT^SNFPT Set progress tones .....	384
15.15	AT^SNFS Select audio hardware set.....	385
15.16	AT^SNFV Set loudspeaker volume .....	389
15.17	AT^SNFW Write audio setting in non-volatile store .....	391
15.18	AT^SRTC Ring tone configuration .....	392
<b>16.</b>	<b>Hardware related Commands .....</b>	<b>395</b>
16.1	AT+CALA Set alarm time .....	395
16.1.1	Summary of AT commands available in Alarm mode .....	398
16.2	AT+CCLK Real Time Clock.....	399
16.3	AT^SBC Battery charging / discharging and charge control .....	400
16.3.1	Summary of AT commands available in Charge-only and Alarm mode.....	402
16.4	AT^SBV Battery/Supply Voltage .....	403
16.5	AT^SCTM Set critical operating temperature presentation mode or query temperature.....	404
16.6	AT^SSYNC Configure SYNC Pin.....	407
16.6.1	ME status indicated by status LED patterns.....	408
<b>17.</b>	<b>Miscellaneous Commands.....</b>	<b>410</b>
17.1	A/ Repeat previous command line .....	410
17.2	ATS3 Write command line termination character.....	411
17.3	ATS4 Set response formatting character .....	412
17.4	ATS5 Write command line editing character .....	413
<b>18.</b>	<b>Appendix .....</b>	<b>414</b>
18.1	Restricted access to SIM data after SIM PIN authentication.....	414
18.2	List of *# Codes .....	415
18.3	Available AT Commands and Dependency on SIM PIN .....	419
18.4	AT Command Settings storable with AT&W.....	426
18.5	Factory Default Settings Restorable with AT&F .....	429
18.6	Summary of Unsolicited Result Codes (URC).....	432
18.7	Alphabetical List of AT Commands .....	434

## List of Tables

Table 1.1:	Product specific use of AT commands .....	12
Table 1.2:	Symbols used to indicate the correlations with other commands .....	15
Table 1.3:	Symbols used to mark different types of default values of parameters .....	15
Table 2.1:	Current configuration on ASC0 / MUX channel 1 (example) .....	30
Table 2.2:	Current configuration on MUX channels 2 and 3 (example) .....	31
Table 4.1:	Availability of AT Commands on Virtual Channels .....	104
Table 4.2:	Summary of AT commands with Different Behavior in Multiplex Mode .....	105
Table 16.1:	Modes of the LED and indicated ME functions .....	408
Table 18.1:	List of *# Codes .....	415
Table 18.2:	Abbreviations of Codes and Parameters Used in Table "List of *# Codes" .....	416
Table 18.3:	Available AT Commands and Dependency on SIM PIN .....	419
Table 18.4:	Settings Stored to User Profile on ASC0 / MUX Channel 1 .....	426
Table 18.5:	Settings Stored to User Profile on MUX Channels 2 and 3 .....	427
Table 18.6:	Factory Default Settings Restorable with AT&F .....	429
Table 18.7:	Summary of Unsolicited Result Codes (URC) .....	432
Table 18.8:	Alphabetical List of AT Commands .....	434

## List of Figures

Figure 1.1:	Main character table of GSM 03.38 alphabet .....	20
Figure 1.2:	Extension character table of GSM 03.38 alphabet .....	21
Figure 15.1:	Audio programming model.....	364

# 1. Introduction

## 1.1 Scope of the document

This document presents the AT Command Set for the Siemens Cellular Engines

*TC35i Version 02.07*

*TC35i Terminal Version 02.07.*

Before using the Cellular Engine or upgrading to a new firmware version please read the latest product information provided in the Release Notes [1].

More information is available at the Siemens Website: <http://www.siemens.com/wm>.

If features differ between *TC35i* and *TC35i Terminal* this is noted in the section that refers to the AT command. At present the following features are concerned:

**Table 1.1:** Product specific use of AT commands

AT command	Module version	Terminal version
<a href="#">AT+ILRR</a>	Maximum bit rate: 230400 bps	Maximum bit rate: 115200 bps
<a href="#">AT+IPR</a>	Maximum bit rate: 230400 bps	Maximum bit rate: 115200 bps
<a href="#">AT+CALA</a>	Alarm mode and reminder message fully applicable	Does not support Alarm mode. Please ignore any information relating to the subject. The reminder message can be used as described.
<a href="#">AT^SAIC</a>	All parameters usable as described.	Additional recommendations for using audio modes 2, 3 and 6 with TC35i Terminal.
<a href="#">AT^SSYNC</a>	SYNC pin may be assigned different functions: <code>&lt;mode&gt;</code> 0, 1 or 2.	SYNC pin supports only <code>&lt;mode&gt;</code> =1 or 2. (LED status)
<a href="#">AT^SBC</a>	All functions fully applicable	Command not applicable

## 1.2 Related documents

- [1] Release Notes: TC35i, Version 02.07
- [2] TC35i Hardware Interface Description, Version 02.07
- [3] Remote-SAT User's Guide
- [4] Multiplexer User's Guide
- [5] Application Note 16: Updating TC35i Firmware
- [6] TC35i Terminal Hardware Interface Description
- [7] TC35i Terminal User's Guide
- [8] Application Note 02: Audio Interface Design
- [9] Multiplex Driver Developer's Guide for Windows 2000 and Windows XP
- [10] Multiplex Driver Installation Guide for Windows 2000 and Windows XP
- [11] ISO/IEC10646: "Universal Multiple-Octet Coded Character Set (UCS)"; UCS2, 16 bit coding
- [12] ITU-T Recommendation V.24: List of definitions for interchange circuits between data terminal equipment (DTE) and data circuit-terminating equipment (DCE)
- [13] ITU-T Recommendation V.25ter: Serial asynchronous automatic dialling and control
- [14] 3GPP TS 23.038 (GSM 03.38): Alphabets and language specific information
- [15] 3GPP TS 27.005 (GSM 07.05): Use of Data Terminal Equipment - Data Circuit terminating Equipment (DTE - DCE) interface for Short Message Service (SMS) and Cell Broadcast Service (CBS)
- [16] 3GPP TS 27.007 (GSM 07.07): AT command set for User Equipment (UE)
- [17] 3GPP TS 27.060 (GSM 07.60): Mobile Station (MS) supporting Packet Switched Services
- [18] 3GPP TS 51.011 (GSM 11.11): Specification of the Subscriber Identity Module - Mobile Equipment (SIM - ME) interface
- [19] 3GPP TS 11.14 (GSM 11.14): Specification of the SIM Application Toolkit for the Subscriber Identity Module - Mobile Equipment (SIM - ME) interface

## 1.3 Document conventions

Throughout the document, the GSM engines are referred to as ME (Mobile Equipment), MS (Mobile Station), TA (Terminal Adapter), DCE (Data Communication Equipment) or facsimile DCE (FAX modem, FAX board). When the Siemens product names are required to distinguish the two models, TC35i is short for the engine type and TC35iT for the terminal.

To control your GSM engine you can simply send AT Commands via its serial interface. The controlling device at the other end of the serial line is referred to as TE (Terminal Equipment), DTE (Data Terminal Equipment) or plainly 'the application' (probably running on an embedded system).

All abbreviations and acronyms used throughout this document are based on the GSM specifications. For definitions please refer to TR 100 350 V7.0.0 (1999-08), (GSM 01.04, version 7.0.0 release 1998).

### 1.3.1 Quick reference table

Each AT command description includes a table similar to the example shown below. The table is intended as a quick reference to indicate the following functions:

PIN: Is the AT command PIN protected?

Yes

No

Usage is dependent on conditions specified for the command, or not all command types are PIN protected (for example write command PIN protected, read command not).

Note: The table provided in the Chapter [Available AT Commands and Dependency on SIM PIN](#) uses the same symbols.

ASC0: Is the AT command supported on the physical serial interface ASC0?

Yes

No

Note: In the case of TC35i only "Yes" applies.

MUXn: Is the AT command usable on the Multiplexer channels MUX1, MUX2, MUX3?

Yes

No

AT command is usable, but under the restrictions specified in the chapter related to the command.

Note: The columns MUX1, MUX2 and MUX3 are relevant only when the GSM engine operates in Multiplexer mode, that is, when the physical serial interface is partitioned into 3 virtual channels by using the Multiplexer protocol. Usage is the same on ASC0 and MUX1.

Example:

PIN	ASC0	MUX1	MUX2	MUX3
<input type="radio"/>	<input checked="" type="radio"/>	<input checked="" type="radio"/>	<input checked="" type="radio"/>	<input checked="" type="radio"/>

## 1.3.2 Superscript notation for parameters and values

**Table 1.2:** Symbols used to indicate the correlations with other commands

Parameter option	Meaning
<param> <sup>(&amp;W)</sup>	Parameter value will be stored with <a href="#">AT&amp;W</a>
<param> <sup>(&amp;V)</sup>	Parameter value will be displayed with <a href="#">AT&amp;V</a>
<param> <sup>(^SNFW)</sup>	Parameter value will be stored with <a href="#">AT^SNFW</a>
<param> <sup>(+CSCS)</sup>	Parameter value has to be (is) coded according to current setting of <a href="#">&lt;chset&gt;</a> (see <a href="#">AT+CSCS</a> for details)

**Table 1.3:** Symbols used to mark different types of default values of parameters

Value option	Meaning
[x]	Default value: if the parameter is omitted, the value 'x' will be assumed
x <sup>(&amp;F)</sup>	Factory default value, will be restored to 'x' with <a href="#">AT&amp;F</a>
x <sup>(P)</sup>	Powerup default value of a parameter which is not stored at power down
x <sup>(D)</sup>	Delivery default value of a parameter which cannot be restored automatically



## 1.4 AT command syntax

The "AT" or "at" prefix must be set at the beginning of each command line. To terminate a command line enter <CR>.

Commands are usually followed by a response that includes "<CR><LF><response><CR><LF>". Throughout this document, only the responses are presented, <CR><LF> are omitted intentionally.

Types of AT commands and responses:

AT command type	Syntax	Function
Test command	AT+CXXX=?	The mobile equipment returns the list of parameters and value ranges set with the corresponding Write command or by internal processes.
Read command	AT+CXXX?	This command returns the currently set value of the parameter or parameters.
Write command	AT+CXXX=<...>	This command sets user-definable parameter values.
Exec(ution) command	AT+CXXX	The execution command reads non-variable parameters determined by internal processes in the GSM engine.

### 1.4.1 Using parameters

- Optional parameters are enclosed in square brackets. If optional parameters are omitted, the current settings are used until you change them.
- Optional parameters or subparameters can be omitted unless they are followed by other parameters. If you want to omit a parameter in the middle of a string it must be replaced by a comma. See also example 1.
- A parameter value enclosed in square brackets represents the value that will be used if an optional parameter is omitted. See also example 2.
- When the parameter is a character string, e.g. <text> or <number>, the string must be enclosed in quotation marks, e.g. "Charlie Brown" or "+49030xxxx". Symbols within quotation marks will be recognized as strings.
- All spaces will be ignored when using strings without quotation marks.
- It is possible to omit the leading zeros of strings which represent numbers.
- If an optional parameter of a V.25ter command is omitted, its value is assumed to be 0.

Example 1: Omitting parameters in the middle of a string

```
AT+CCUG?           Query current setting
+CCUG: 1,10,1
OK
AT+CCUG=,9        Set only the middle parameter
OK
AT+CCUG?          Query new setting
+CCUG: 1,9,1
OK
```

Example 2: Using default parameter values for optional parameters

```
AT+CFUN=5,0       Activate CYCLIC SLEEP mode, don't reset ME
OK
AT+CFUN?          Query ME mode
+CFUN: 5
OK
AT+CFUN=          Set ME back to normal (default parameters: 1,0)
OK
+CFUN: 1
OK
```

## 1.4.2 Combining AT commands on the same command line

You may enter several AT commands on the same line. This eliminates the need to type the "AT" or "at" prefix before each command. Instead, it is only needed once at the beginning of the command line. Use a semicolon as command delimiter.

The command line buffer accepts a maximum of 391 characters. If this number is exceeded none of the commands will be executed and TA returns ERROR.

The table below lists the AT commands you cannot enter together with other commands on the same line. Otherwise, the responses may not be in the expected order.

AT command type	Comment
V.25ter commands	with FAX commands (Prefix AT+F)
GSM 7.07 commands	with Siemens commands, Prefix AT^S)
GSM 7.05 commands (SMS)	To be used standalone
Commands starting with AT&	To be used standalone
<a href="#">AT+IPR</a>	To be used standalone

Note: When concatenating AT commands please keep in mind that the sequence of processing may be different from the sequential order of command input. Therefore, if the consecutive order of the issued commands is your concern, avoid concatenating commands on the same line.

## 1.5 Supported character sets

The ME supports two character sets: GSM 03.38 (7 bit, also referred to as GSM alphabet or SMS alphabet) and UCS2 (16 bit, refer to ISO/IEC 10646). See [AT+CSCS](#) for information about selecting the character set. Character tables can be found below.

### Explanation of terms

- IRA  
IRA means that one byte is displayed as two characters in hexadecimal format. for example, the byte 0x36 (decimal 54) is displayed as "36" (two chars).
- Escape sequences  
The escape sequence used within a text coded in the GSM default alphabet (0x1B) must be correctly interpreted by the TE, both for character input and output. To the module, an escape sequence appears like any other byte received or sent.
- TE  
TE is the terminal equipment that uses the GSM default alphabet as its character set. MS Hyperterminal (often used with the module) is an ANSI / ASCII terminal that does not support the GSM default alphabet.
- Data Coding Scheme  
The Data Coding Scheme (dcs) is part of a short message and is saved on the SIM. When writing a short message to the SIM in textmode, the dcs stored with AT+CSMP is used.
- TE Character Set  
The currently used TE character set is selected with AT+CSCS.

The behavior when encountering characters, that are not valid characters of the supported alphabets, is undefined.

Due to the constraints described below it is recommended to prefer the USC2 alphabet in any external application.

If the GSM alphabet is selected all characters sent over the serial line are in the range from 0 ... 127. CAUTION: GSM alphabet is not ASCII alphabet!

Several problems resulting from the use of the GSM alphabet:

- "@" character with GSM alphabet value 0 is not printable by an ASCII terminal program (e.g. Microsoft® Hyperterminal®).
- "@" character with GSM alphabet value of binary 0 will terminate any C string! This is because the 0 is defined as C string end tag. Therefore, the GSM Null character may cause problems on application level when using a 'C'-function as "strlen()". This can be avoided if it is represented by an escape sequence as shown in the table below.  
By the way, this may be the reason why even network providers often replace "@" with "@=" in their SIM application.
- Other characters of the GSM alphabet are misinterpreted by an ASCII terminal program. For example, GSM "ö" (as in "Börse") is assumed to be "l" in ASCII, thus resulting in "B|rse". This is because both alphabets mean different characters with values hex. 7C or 00 and so on.
- In addition, decimal 17 and 19 which are used as XON/XOFF control characters when software flow control is activated, are interpreted as normal characters in the GSM alphabet.

When you write characters differently coded in ASCII and GSM (e.g. Ä, Ö, Ü), you need to enter escape sequences. Such a character is translated into the corresponding GSM character value and, when output later, the GSM character value can be presented. Any ASCII terminal then will show wrong responses.

Examples for character definitions depending on alphabet

GSM 03.38 character	GSM character hex. value	Corresponding ASCII character	ASCII Esc sequence	Hex Esc sequence
Ö	5C	\	\5C	5C 35 43
"	22	"	\22	5C 32 32
ò	08	BSP	\08	5C 30 38
@	00	NULL	\00	5C 30 30

CAUTION: Often, the editors of terminal programs do not recognize escape sequences. In this case, an escape sequence will be handled as normal characters. The most common workaround to this problem is to write a script which includes a decimal code instead of an escape sequence. This way you can write, for example, short messages which may contain differently coded characters.

### 1.5.1 GSM alphabet tables and UCS2 character values

This section provides tables for the GSM 03.38 alphabet supported by the ME. Below any GSM character find the corresponding two byte character value of the UCS2 alphabet.

Main character table of GSM 03.38 alphabet				b7	0	0	0	0	1	1	1	1
				b6	0	0	1	1	0	0	1	1
				b5	0	1	0	1	0	1	0	1
b4	b3	b2	b1		0	1	2	3	4	5	6	7
0	0	0	0	0	@ 0040	Δ 0394	SP 0020	0 0030	i 00A1	P 0050	¿ 00BF	p 0070
0	0	0	1	1	£ 00A3	_ 005F	! 0021	1 0031	A 0041	Q 0051	a 0061	q 0071
0	0	1	0	2	\$ 0024	⊕ 03A6	" 0022	2 0032	B 0042	R 0052	b 0062	r 0072
0	0	1	1	3	¥ 00A5	Γ 0393	# 0023	3 0033	C 0043	S 0053	c 0063	s 0073
0	1	0	0	4	è 00E8	Λ 039B	* 00A4	4 0034	D 0044	T 0054	d 0064	t 0074
0	1	0	1	5	é 00E9	Ω 03A9	% 0025	5 0035	E 0045	U 0055	e 0065	u 0075
0	1	1	0	6	ù 00F9	Π 03A0	& 0026	6 0036	F 0046	V 0056	f 0066	v 0076
0	1	1	1	7	ì 00EC	Ψ 03A8	' 0027	7 0037	G 0047	W 0057	g 0067	w 0077
1	0	0	0	8	ò 00F2	Σ 03A3	( 0028	8 0038	H 0048	X 0058	h 0068	x 0078
1	0	0	1	9	í 00E7	⊙ 0398	) 0029	9 0039	I 0049	Y 0059	i 0069	y 0079
1	0	1	0	10 /A	LF [LF]¹	⊘ 039E	* 002A	: 003A	J 004A	Z 005A	j 006A	z 007A
1	0	1	1	11 /B	Ø 00D8	ƒ 002B	+ 002B	; 003B	K 004B	Ä 00C4	k 006B	ä 00E4
1	1	0	0	12 /C	ø 00F8	Æ 00C6	, 002C	< 003C	L 004C	O 00D6	l 006C	ö 00F6
1	1	0	1	13 /D	CR [CR]²	æ 00E6	- 002D	= 003D	M 004D	Ñ 00D1	m 006D	ñ 00F1
1	1	1	0	14 /E	À 00C5	ß 00DF	. 002E	> 003E	N 004E	Ü 00DC	n 006E	ü 00FC
1	1	1	1	15 /F	á 00E5	É 00C9	/ 002F	? 003F	O 004F	Ş 00A7	o 006F	à 00E0

Figure 1.1: Main character table of GSM 03.38 alphabet

- 1) This code is an escape to the following extension of the 7 bit default alphabet table.
- 2) This code is not a printable character and therefore not defined for the UCS2 alphabet. It shall be treated as the accompanying control character.

Extension character table of GSM 03.38 alphabet				b7	0	0	0	0	1	1	1	1
				b6	0	0	1	1	0	0	1	1
				b5	0	1	0	1	0	1	0	1
b4	b3	b2	b1		0	1	2	3	4	5	6	7
0	0	0	0	0								
									007C			
0	0	0	1	1								
0	0	1	0	2								
0	0	1	1	3								
0	1	0	0	4		^						
						005E						
0	1	0	1	5							€ <sup>2</sup>	
											20AC	
0	1	1	0	6								
0	1	1	1	7								
1	0	0	0	8			{					
							007B					
1	0	0	1	9			}					
							007D					
1	0	1	0	10 /A	↵							
					[LF]							
1	0	1	1	11 /B		␣						
1	1	0	0	12 /C				[				
								005B				
1	1	0	1	13 /D				~				
								007E				
1	1	1	0	14 /E				]				
								005D				
1	1	1	1	15 /F			\					
							005C					

Figure 1.2: Extension character table of GSM 03.38 alphabet

- 1) This code value is reserved for the extension to another extension table. On receipt of this code, a receiving entity shall display a space until another extension table is defined.
- 2) This code represents the EURO currency symbol. The code value is the one used for the character 'e'. Therefore a receiving entity which is incapable of displaying the EURO currency symbol will display the character 'e' instead.
- 3) This code is defined as a Page Break character and may be used for example in compressed CBS messages. Any mobile which does not understand the 7 bit default alphabet table extension mechanism will treat this character as Line Feed.

In the event that an MS receives a code where a symbol is not represented in figure [Extension character table of GSM 03.38 alphabet](#) the MS shall display the character shown in the main default 7 bit alphabet table (see figure [Main character table of GSM 03.38 alphabet](#)).

## 1.5.2 UCS2 and GSM data coding and conversion for SMS text mode

This chapter provides basic information on how to handle input and output character conversion for SMS text mode and Remote-SAT if internal (ME) and external (TE) character representation differ, i.e. if the Data Coding Scheme and the TE character use different coding.

### 1.5.2.1 Implementing output of SIM data to the TE (direction ME to TE)

dcscs	7-Bit (GSM default)	8-Bit	16-Bit (UCS2)
GSM	Case 1 GSM (1:1)	Case 2 IRA (1:1)	Case 3 IRA (2:2)
UCS2	Case 4 GSM to UCS2 (1:2)	Case 5 GSM to UCS2 (1:2)	Case 6 IRA (2:2)

#### Case 1

Every byte will be sent as GSM character (or ASCII with Hyperterminal).

Example: 0x41,0x21 → "AB" (because of conversion from 7-bit to 8-bit)

#### Case 2

Every byte will be sent as IRA. No conversion.

Example: 0x41,0x42 → "4142"

#### Case 3

Every byte will be sent as IRA. No conversion to GSM to avoid data loss.

Example: 0x00,0x41 → "0041"

Problems:

- 0x41,0x42 → "4142" (invalid GSM character, but ignored with respect to GSM 07.05)
- 0x41 → Error (there are two bytes needed)

#### Case 4

Every byte will be converted from GSM to UCS2.

Example: 0x41,0x42 → "00410042"

#### Case 5

Every byte will be converted from GSM to UCS2.

Example: 0x41,0x42 → "00410042"

#### Case 6

Example: 0x41,0x42 → "4142"

Problems:

- 0x41 → Error (there are two bytes needed)



### 1.5.2.2 Implementing input of Terminal data to SIM (direction TE to ME)

CSCS dcs	GSM	UCS2
7-Bit (GSM default)	Case 1 GSM (1:1)	Case 4 UCS2 to GSM (2:1)
8-Bit	Case 2 IRA (1:1)	Case 5 UCS2 to GSM (2:1)
16-Bit (UCS2)	Case 3 IRA (2:2)	Case 6 IRA (2:2)

#### Case 1

Data will be packed to 7-bit.  
 Maximum text length: 160 characters  
 Example: "AB" → 0x41,0x21

#### Case 2

Data will be saved without any conversion.  
 Maximum text length: 280 characters  
 Example: "4142" → 0x41,0x42  
 Problems:

- "8f" → Error (invalid GSM character)

#### Case 3

Two bytes are needed. No conversion.  
 Maximum text length: 280 characters  
 Example: "0041" → 0x00,0x41  
 Problems:

- "41" → Error (there are two bytes needed)

#### Case 4

Two bytes are needed. Two bytes will be converted to 1 byte GSM and 7-bit packed.  
 Maximum text length: 640 characters  
 Example: "00410042" → 0x41,0x21  
 Problems:

- "41" → Error (there are two bytes needed)
- "4142" → Error (invalid character)
- "0000" → Error (not an UCS2 character)
- "007B" → 0x1B,0x28 (the saved data are two bytes long, not 1 byte like in all other cases. This effects the maximum input length of a string)

#### Case 5

Two bytes are needed. Two bytes will be converted to 1 byte GSM.  
 Maximum text length: 560 characters  
 Example: "00410042" → 0x41,0x42  
 Problems:

- "41" → Error (there are two bytes needed)
- "4142" → Error (invalid character)
- "0000" → Error (not an UCS2 character)
- "007B" → 0x1B,0x28 (the saved data are two bytes long, not 1 byte like in all other cases. This effects the maximum input length of a string).

Case 6

Two bytes are needed.

Maximum text length: 280 characters

Example: "00410042" → 0x00,0x41,0x00,0x21

Problems:

- "41" → Error (there are two bytes needed)
- "0000" → Error (not an UCS2 character)
- "007B" → 0x00,0x7B

## 1.6 Flow Control

Flow control is essential to prevent loss of data or avoid errors when, in a data or fax call, the sending device is transferring data faster than the receiving side is ready to accept. When the receiving buffer reaches its capacity, the receiving device should be capable to cause the sending device to pause until it catches up.

There are basically two approaches to regulate data flow: software flow control and hardware flow control. The High Watermark of the input / output buffer should be set to approximately 60% of the total buffer size. The Low Watermark is recommended to be about 30%. The data flow should be stopped when the capacity rises close to the High Watermark and resumed when it drops below the Low Watermark. The time required to cause stop and go results in a hysteresis between the High and Low Watermarks.

In Multiplex mode, it is recommended to use hardware flow control.

### 1.6.1 Software flow control (XON/OFF flow control)

Software flow control sends different characters to stop (XOFF, decimal 19) and resume (XON, decimal 17) data flow. The only advantage of software flow control is that three wires would be sufficient on the serial interface.

### 1.6.2 Hardware flow control (RTS/CTS flow control)

Hardware flow control sets or resets the RTS/CTS wires. This approach is faster and more reliable, and therefore, the better choice. When the High Watermark is reached, CTS is set inactive until the transfer from the buffer has completed. When the Low Watermark is passed, CTS goes active once again.

To achieve smooth data flow, ensure that the RTS/CTS lines are present on your application platform. The application should include options to enable RTS/CTS handshake with the GSM engine. This needs to be done with the AT command [AT\Q3](#) - it is not sufficient to set RTS/CTS handshake in the used Terminal program only.

The default setting of the GSM engine is [AT\Q0](#) (no flow control) which must be altered to [AT\Q3](#) (RTS/CTS hardware handshake on). The setting is stored volatile and must be restored each time after the GSM engine was switched off.

[AT\Q](#) has no read command. To verify the current setting of [AT\Q](#), simply check the settings of the active profile with [AT&V](#).

Often, fax programs run an initialization procedure when started up. The initialization commonly includes enabling RTS/CTS hardware handshake, eliminating the need to set [AT\Q3](#) once again. However, before setting up a CSD call, you are advised to check that RTS/CTS handshake is set.

RTS/CTS hardware handshake must also be set if you want to take advantage of the CYCLIC SLEEP modes. For further details refer to [AT+CFUN](#).

Note: After deactivating the RTS line, the ME may still send up to 264 bytes (worst case). This can be easily handled if the buffer of the host application is sufficiently sized, and if a hysteresis is implemented in its Rx buffer. For host applications that are required to handle a large amount of data at high speed, a total buffer capacity of 512 bytes is recommended.

## 1.7 Unsolicited Result Code Presentation

URC stands for Unsolicited Result Code and is a report message issued by the ME without being requested by the TE, i.e. a URC is issued automatically when a certain event occurs. Hence, a URC is not issued as part of the response related to an executed AT command.

Typical events leading to URCs are incoming calls ("RING"), received SMSs, changing temperature, status of the battery etc.

A summary of all URCs is given in chapter [Summary of Unsolicited Result Codes \(URC\)](#).

To announce a pending URC transmission the ME will do the following:

- Activates its Ring line (logic "1") for one second, i.e. the line changes to physical "Low" level. This allows the TE to enter power saving mode until ME related events request service.
- If the AT command interface is busy a "BREAK" will be sent immediately but the URC will not be issued until the line is free. This may happen if the URC is pending
  - while an AT command is being processed, i.e. during the time from sending the first character "A" of an AT command by the TE until the ME has responded with "OK" or "ERROR", or
  - during a data call.

Please note that AT command settings may be necessary to enable in-band signaling, e.g. refer to [AT+CMER](#) or [AT+CNMI](#).

It is strongly recommended to use the multiplex mode to map logical communication channels onto the serial line of the TC35i, for details refer to [\[4\]](#) and AT command [AT+CMUX](#). Doing so it is possible to use one channel to still process URCs while having a data call active on another.

For most of these messages, the ME needs to be configured whether or not to send an URC. Depending on the AT command, the URC presentation mode can be saved to the user defined profile (see [AT+W](#)), or needs to be activated every time you reboot the ME. Several URCs are not user definable, such as "^SYSSTART", "^SYSSTART <text>", "^SHUTDOWN" and the Fax Class 2 URCs listed in Chapter [Summary of Unsolicited Result Codes \(URC\)](#).

If autobauding is enabled (as factory default mode or set with [AT+IPR=0](#)), URCs generated after restart will be output with 57600 bps until the ME has detected the current bit rate. The URCs "^SYSSTART", "^SYSSTART <text>", however, are not presented at all. For details please refer to Chapter [4.10.1](#). To avoid problems we recommend to configure a fixed bit rate rather than using autobauding.

### 1.7.1 Communication between Customer Application and TC35i

Leaving hardware flow control unconsidered the Customer Application (TE) is coupled with the TC35i (ME) via a receive and a transmit line.

Since both lines are driven by independent devices collisions may (and will) happen, i.e. while the TE issues an AT command the TC35i starts sending an URC. This probably will lead to the TE's misinterpretation of the URC being part of the AT command's response.

To avoid this conflict the following measures must be taken:

- If an AT command is finished (with "OK" or "ERROR") the TE shall always wait at least 100 milliseconds before sending the next one.  
This gives the TC35i the opportunity to transmit pending URCs and get necessary service.  
Note that some AT commands may require more delay after "OK" or "ERROR" response, refer to the following command specifications for details.
- The TE shall communicate with the TC35i using activated echo ([ATE1](#)), i.e. the TC35i echoes characters received from the TE.  
Hence, when the TE receives the echo of the first character "A" of the AT command just sent by itself it has control over both the receive and the transmit paths. This way no URC can be issued by the TC35i in between.

## 1.8 Errors and Messages

The final result codes "+CME ERROR: <err>" and "+CMS ERROR: <err>" indicate errors related to mobile equipment or network. The effect is similar to an ERROR result code.

A final result error code terminates the execution of the command and prevents the execution of all remaining commands that may follow on the same command line. If so, neither ERROR nor OK result code are returned for these commands. A 30 seconds timeout causes ERROR to be returned when the input of a command is not complete.

The format of <err> can be either numeric or verbose. This is set with the command [AT+CMEE](#).

See also:

- [2.12.1](#)
- [2.5.1](#)
- [AT+CEER](#)

## 2. Configuration Commands

The AT Commands described in this chapter allow the external application to determine the TC35i's behaviour under various conditions.

### 2.1 AT&F Set all current parameters to manufacturer defaults

#### Syntax

```
Exec Command  
AT&F[<value>]  
  
Response(s)  
OK
```

PIN	ASC0	MUX1	MUX2	MUX3
<input type="radio"/>	<input checked="" type="radio"/>	<input checked="" type="radio"/>	<input checked="" type="radio"/>	<input checked="" type="radio"/>

```
Reference(s)  
V.25ter
```

#### Command Description

TA sets all current parameters to the manufacturer defined profile.

#### Parameter Description

<value> <sup>(num)</sup>	
[0]	set all TA parameters to manufacturer defaults

#### Notes

- List of parameters reset to manufacturer default can be found in Chapter [Factory Default Settings Restorable with AT&F](#).
- In addition to the default profile, you can store an individual one with [AT&W](#). To alternate between the two profiles enter either [ATZ](#) (loads user profile) or [AT&F](#) (restores factory profile).
- Every ongoing or incoming call will be terminated.

## 2.2 AT&V Display current configuration

### Syntax

Exec Command

```
AT&V[<value>]
```

Response(s)

```
ACTIVE PROFILE:  
... (see section 2.2.1)  
OK
```

PIN	ASC0	MUX1	MUX2	MUX3
<input type="radio"/>	<input checked="" type="radio"/>	<input checked="" type="radio"/>	<input type="radio"/>	<input type="radio"/>

Reference(s)

V.25ter

### Command Description

TA returns the current parameter setting. The configuration varies depending on whether or not PIN authentication has been done and whether or not Multiplex mode is enabled (see [AT+CMUX](#)).

### Parameter Description

<value><sup>(num)</sup>

[0] Profile number

### Notes

- The value of \Q (flow control) is also determined by the [AT+IFC](#) command. In case the value set by [AT+IFC](#) cannot be represented by a \Q equivalent, \Q255 will be displayed.
- The parameters of [AT^SMGO](#) can only be displayed after the SMS data from the SIM have been read successfully for the first time. Reading starts after successful SIM authentication has been performed, and may take up to 30 seconds depending on the SIM used. While the read process is in progress, an attempt to read the parameter will result in empty values.
- The parameter of [AT+CSDH](#) will only be displayed in SMS text mode, see [AT+CMGF](#)

### 2.2.1 AT&V responses

The following tables show four different kinds of responses depending on whether or not the PIN is entered and whether or not the Multiplex mode is enabled (see [AT+CMUX](#)).



**Table 2.1:** Current configuration on ASC0 / MUX channel 1 (example)

PIN authentication done	No PIN authentication
<p>ACTIVE PROFILE:  E1 Q0 V1 X4 &amp;C1 &amp;D2 &amp;S0 \Q0 \V1  S0:000 S3:013 S4:010 S5:008 S6:000 S7:060 S8:000  S10:002 S18:000  +CBST: 7,0,1  +CRLP: 61,61,78,6  +CR: 0  +FCLASS: 0  +CRC: 0  +CMGF: 0  +CSDH: 0  +CNMI: 0,0,0,0,1  +ICF: 3  +IFC: 0,0  +ILRR: 0  +IPR: 57600  +CMEE: 2  ^SMGO: 0,0  +CSMS: 0,1,1,1  ^SACM: 0,"000000","000000"  ^SCKS: 0,1  ^SSET: 0  +CREG: 0,1  +CLIP: 0,2  +CAOC: 0  +COPS: 0,0,"operator"  %D: 0  OK</p>	<p>ACTIVE PROFILE:  E1 Q0 V1 X4 &amp;C1 &amp;D2 &amp;S0 \Q0 \V1  S0:000 S3:013 S4:010 S5:008 S6:000 S7:060 S8:000  S10:002 S18:000  +CBST: 7,0,1  +CRLP: 61,61,78,6  +CR: 0  +FCLASS: 0  +ICF: 3  +IFC: 0,0  +ILRR: 0  +IPR: 57600  +CMEE: 2  ^SCKS: 0,1  ^SSET: 0  OK</p>

**Table 2.2:** Current configuration on MUX channels 2 and 3 (example)

PIN authentication done	No PIN authentication
<p>ACTIVE PROFILE: E1 Q0 V1 X4 &amp;C1 &amp;D0 &amp;S0 \Q0 S0:000 S3:013 S4:010 S5:008 +CRC: 0 +CMGF: 0 +CSDH: 0 +CNMI: 0,0,0,0,1 +ICF: 3 +IFC: 0,0 +ILRR: 0 +IPR: 57600 +CMEE: 2 ^SMGO: 0,0 +CSMS: 0,1,1,1 ^SACM: 0,"000000","000000" ^SCKS: 0,1 ^SSET: 0 +CREG: 0,1 +CLIP: 0,2 +CAOC: 0 +COPS: 0,0,"operator" OK</p>	<p>ACTIVE PROFILE: E1 Q0 V1 X4 &amp;C1 &amp;D0 &amp;S0 \Q0 S0:000 S3:013 S4:010 S5:008 +ICF: 3 +IFC: 0,0 +ILRR: 0 +IPR: 57600 +CMEE: 2 ^SCKS: 0,1 ^SSET: 0 OK</p>

## 2.3 AT&W Stores current configuration to user defined profile

### Syntax

```
Exec Command
AT&W[<value>]

Response(s)
OK
ERROR/+CME ERROR <err>
```

PIN	ASC0	MUX1	MUX2	MUX3
<input type="radio"/>	<input checked="" type="radio"/>	<input checked="" type="radio"/>	<input checked="" type="radio"/>	<input checked="" type="radio"/>

```
Reference(s)
V.25ter
```

### Command Description

TA stores the currently set parameters to a user defined profile in the non-volatile memory.

### Parameter Description

<value> <sup>(num)</sup>	
[0]	Number of profile

### Notes

- The user defined profile will be restored automatically after PowerUp. Use [ATZ](#) to restore user profile and [AT&F](#) to restore factory settings. Until the first use of [AT&W](#), [ATZ](#) works as [AT&F](#).
- User defined profiles in multiplex mode: [AT&W](#) stores the current setting of each channel to the user profile, no matter on which of the three channels the command is executed. Each channel may have an individual profile.
- A list of parameters stored to the user profile can be found in Chapter [AT Command Settings storable with AT&W](#).

## 2.4 ATQ Set result code presentation mode

### Syntax

Exec Command

```
ATQ[<n>]
```

Response(s)

If <n>=0:

OK

If <n>=1:

(none)

PIN	ASC0	MUX1	MUX2	MUX3
<input type="radio"/>	<input checked="" type="radio"/>	<input checked="" type="radio"/>	<input checked="" type="radio"/>	<input checked="" type="radio"/>

Reference(s)

V.25ter

### Command Description

This parameter setting determines whether or not the TA transmits any result code to the TE. Information text transmitted in response is not affected by this setting.

### Parameter Description

<n><sup>(num)(&W)(&V)</sup>

[0]<sup>(&F)</sup>

DCE transmits result code

1

Result codes are suppressed and not transmitted

## 2.5 ATV Set result code format mode

This command determines the contents of header and trailer transmitted with AT command result codes and information responses. Possible responses are described at [2.5.1](#).

### Syntax

```
Exec Command
ATV[<value>]

Response(s)
If <value>=0
0
If <value>=1
OK
```



Reference(s)  
V.25ter

### Parameter Description

<value> <sup>(num)(&amp;W)(&amp;V)</sup>	
[0]	Information response: <text><CR><LF> Short result code format: <numeric code><CR>
1 <sup>(&amp;F)</sup>	Information response: <CR><LF><text><CR><LF> Long result code format: <CR><LF><verbose code><CR>

### 2.5.1 Verbose and numeric result codes

Verbose format	Numeric format	Meaning
OK	0	Command executed, no errors
CONNECT	1	Link established
RING	2	Ring detected
NO CARRIER	3	Link not established or disconnected
ERROR	4	Invalid command or command line too long
NO DIALTONE	6	No dial tone, dialling impossible, wrong mode
BUSY	7	Remote station busy

Verbose format	Numeric format	Meaning
CONNECT 2400	10	Link with 2400 bps
CONNECT 4800	30	Link with 4800 bps
CONNECT 9600	32	Link with 9600 bps
CONNECT 14400	33	Link with 14400 bps
CONNECT 2400/RLP	47	Link with 2400 bps and Radio Link Protocol
CONNECT 4800/RLP	48	Link with 4800 bps and Radio Link Protocol
CONNECT 9600/RLP	49	Link with 9600 bps and Radio Link Protocol
CONNECT 14400/RLP	50	Link with 14400 bps and Radio Link Protocol
ALERTING		Alerting at called phone
DIALING		Mobile phone is dialing

## 2.6 ATX Set CONNECT result code format and call monitoring

### Syntax

```
Exec Command
ATX[<value>]

Response(s)
OK
```

PIN	ASC0	MUX1	MUX2	MUX3
<input type="radio"/>	<input checked="" type="radio"/>	<input checked="" type="radio"/>	<input checked="" type="radio"/>	<input checked="" type="radio"/>

```
Reference(s)
V.25ter
```

### Command Description

This parameter setting determines whether or not the TA detects the presence of dial tone and busy signal and whether or not TA transmits particular result codes.

### Parameter Description

<value> <sup>(num)(&amp;W)(&amp;V)</sup>	Description
[0]	CONNECT result code only returned, dial tone and busy detection are both disabled.
1	CONNECT <text> result code only returned, dial tone and busy detection are both disabled.
2	CONNECT <text> result code returned, dial tone detection is enabled, busy detection is disabled.
3	CONNECT <text> result code returned, dial tone detection is disabled, busy detection is enabled.
4 <sup>(&amp;F)</sup>	CONNECT <text> result code returned, dial tone and busy detection are both enabled.



## 2.7 ATV Set CONNECT result code format

### Syntax

Exec Command

```
AT\V[<value>]
```

Response(s)

```
OK  
ERROR
```

PIN	ASC0	MUX1	MUX2	MUX3
<input type="radio"/>	<input checked="" type="radio"/>	<input checked="" type="radio"/>	<input type="radio"/>	<input type="radio"/>

Reference(s)

V.25ter

### Parameter Description

<value><sup>(num)(&W)(&V)</sup>

[0]	CONNECT <text> result code returned without RLP trailer
1(&F)	CONNECT <text> result code returned with RLP trailer

### Notes

- For circuit switched data calls only.
- Output only if **ATX** parameter is set with value > 0.

## 2.8 ATZ Set all current parameters to user defined profile

### Syntax

```
Exec Command
ATZ[<value>]

Response(s)
OK
```

PIN	ASC0	MUX1	MUX2	MUX3
<input type="radio"/>	<input checked="" type="radio"/>	<input checked="" type="radio"/>	<input checked="" type="radio"/>	<input checked="" type="radio"/>

```
Reference(s)
V.25ter
```

### Command Description

TA sets all current parameters to the user profile stored with [AT&W](#). If a connection is in progress, it will be terminated. The user defined profile is stored to the non-volatile memory.

### Parameter Description

<value> <sup>(num)</sup>	
[0]	Reset to user profile

### Notes

- First the profile will be set to factory default (see [AT&F](#)). If there is a valid user profile (stored with [AT&W](#)), this profile will be loaded afterwards.
- Any additional commands on the same command line may be ignored. A delay of 300 ms is required before next command is sent, otherwise "OK" response may be corrupted.

## 2.9 AT+CFUN Set phone functionality

This command serves to control the functionality level of the ME. It can be used to reset the ME, to choose one of the SLEEP modes or to return to full functionality.

Intended for power saving, SLEEP mode reduces the functionality of the ME to a minimum and thus minimizes the current consumption. SLEEP mode falls in two categories: NON-CYCLIC SLEEP mode `<fun>=0` and CYCLIC SLEEP modes, selectable as `<fun>= 5, 6, 7` or `8`.

NON-CYCLIC SLEEP mode permanently blocks the serial interface. The CYCLIC SLEEP mode, however, is a dynamic process which alternatingly enables and disables the serial interface. The major benefit of all CYCLIC SLEEP modes is that the serial interface remains accessible and that, in intermittent wake-up periods, characters can be sent or received without terminating the selected mode. The best choice is using `<fun>=7` or `8`, since in these modes TC35i automatically resumes power saving, after you have sent or received a short message or made a call. `<fun>=5` or `6` do not offer this feature to the same extent and are only supported for compatibility with earlier releases. In all CYCLIC SLEEP modes, you can enter `<fun>=1` to permanently wake up TC35i and take it back to full functionality. Please refer to section 2.9.1 for a summary of all SLEEP modes and the different ways of waking up the module.

For CYCLIC SLEEP mode (`<fun>= 5, 6, 7` or `8`) both the ME and the application must be configured to use hardware flow control. This is necessary since the CTS signal is set/reset every time when the ME listens to a paging message from the base station. This is the way how the module indicates to the application when the UART is active. For detailed information on the timing of the CTS signal refer to [2]. The default setting of hardware flow control is `AT\Q0` which must be altered to `AT\Q3`. For use after restart you are advised to add it to the user profile saved with `AT&W`.

### Syntax

Test Command

```
AT+CFUN=?
```

Response(s)

```
+CFUN: (list of supported <fun>s) , (list of supported <rst>s)  
OK
```

Read Command

```
AT+CFUN?
```

Response(s)

```
+CFUN: <fun>  
OK
```

Write Command

```
AT+CFUN=[<fun>[, <rst>]]
```

Response(s)

```
OK  
ERROR  
+CME ERROR
```

PIN	ASC0	MUX1	MUX2	MUX3
<input type="radio"/>	<input checked="" type="radio"/>	<input type="radio"/>	<input type="radio"/>	<input type="radio"/>

Reference(s)

GSM 07.07

### Command Description

The test command returns the values of the supported parameters.

The read command returns the current functionality value.

The write command can be used to reset the ME, to choose one of the SLEEP modes or to return to full functionality.

### Parameter Description

<fun><sup>(num)</sup>

0	<p>NON-CYCLIC SLEEP mode: In this mode, the AT interface is not accessible. Consequently, once you have set &lt;fun&gt; level 0, do not send further characters. Otherwise these characters remain in the input buffer and may delay the output of an unsolicited result code. The first wake-up event stops power saving and takes the ME back to full functionality level &lt;fun&gt;=1.</p>
[1] <sup>(&amp;F)</sup>	<p>Full functionality. If the ME is in one of the CYCLIC SLEEP modes you can issue AT+CFUN=1 to stop power saving and return to full functionality. Keep in mind that, unlike the reset command described below, this action does not restart the ME but only changes the level of functionality. See parameter &lt;rst&gt; for details on the reset.</p>
5	<p>CYCLIC SLEEP mode: In this mode, the serial interface is shortly enabled during paging. If characters are recognized on the serial interface, the ME stays active for 2 seconds after the last character was sent or received.</p>
6	<p>CYCLIC SLEEP mode: In this mode, the serial interface is shortly enabled during paging. If characters are recognized on the serial interface, the ME stays active for 10 minutes after the last character was sent or received. To ensure that power saving takes effect immediately, the ME stays active for only 2 seconds after &lt;fun&gt;=6 was entered.</p>
7	<p>CYCLIC SLEEP mode: In this mode, the serial interface is shortly enabled during paging. If characters are recognized on the serial interface, the ME stays active for 2 seconds after the last character was sent or received. ME exits SLEEP mode only, if AT+CFUN=1 is entered.</p>
8	<p>CYCLIC SLEEP mode: In this mode, the serial interface is shortly enabled during paging. If characters are recognized on the serial interface, the ME stays active for 10 minutes after the last character was sent or received. ME exits SLEEP mode only, if AT+CFUN=1 is entered. To ensure that power saving takes effect immediately, the ME stays active for only 2 seconds after &lt;fun&gt;=8 was entered.</p>

`<rst>(num)`

The parameter can only be used if the serial interface is enabled.

Due to the command syntax, you need to enter parameter `<fun>`, followed by `<rst>`, where `<fun>` is only a placeholder and has no effect. See examples below.

[0]	Placeholder for <code>&lt;fun&gt;</code> as stated above.
1	ME resets and restarts to full functionality. After reset and restart, PIN 1 authentication is necessary ( <code>AT+CPIN</code> ). If autobauding is enabled, it is recommended to wait 3 to 5 seconds before entering the first AT command. For details on autobauding refer to chapter "4.10.1".

### Notes

- In Multiplex mode, the CFUN profile is shared by all multiplexer channels.
- If the ME is in Multiplexer mode, it is not recommended to activate SLEEP mode with `AT+CFUN=<fun>`. The best approach to properly control SLEEP mode in this case is to issue the PSC messages described in [4], chapter "Power saving control".
- When a circuit-switched call is in progress, `<fun>`=7 or 8 can be activated without terminating the call. However, setting `<fun>`=0, 5 or 6 during a circuit-switched call immediately disconnects this call.
- Please keep in mind that power saving works properly only when PIN authentication has been done. If you attempt to activate power saving while the SIM card is not inserted or the PIN is not correctly entered, the selected `<fun>` level will be set, though power saving does not take effect. For the same reason, power saving cannot be used if TC35i operates in Alarm mode. Furthermore, in order to accept incoming calls, SMS or network related URCs in SLEEP mode the ME must be registered when it enters the SLEEP mode.
- To check whether power saving is on, you can query the status with the read command `AT+CFUN?` only if the module is in full functionality mode or in CYCLIC SLEEP mode. If available, you can also take advantage of the status LED controlled by the SYNC pin (see `AT^SSYNC` and [2]). With `AT^SSYNC` you can select different modes of LED signalization during SLEEP modes (see 16.6.1 for details). However, the module can wake up temporarily from power saving without leaving its CYCLIC SLEEP mode (without changing `+CFUN <fun>`), e.g. for a network scan after a loss of radio coverage, or after receipt of serial data during CYCLIC SLEEP mode. During this "temporary wakeup state" the LED will operate as if the ME was in full functionality mode.
- Recommendation: In NON-CYCLIC SLEEP mode, you can set an RTC alarm to wake up the ME and return to full functionality. This is a useful approach because, in this mode, the AT interface is not accessible.

### Examples

#### EXAMPLE 1

To check the level of functionality use the read command:

```
AT+CFUN?  
+CFUN: 1                Default mode after ME was restarted
```

Remember that the AT interface is not accessible in NON-CYCLIC SLEEP mode. Consequently, the read command is only useful when the ME is set to full functionality or, when `<fun>` is set to 5, 6, 7 or 8.

```
AT+CFUN?  
+CFUN: 5                CYCLIC SLEEP mode
```

EXAMPLE 2

To set the ME to NON-CYCLIC SLEEP mode enter

```
AT+CFUN=0
OK
```

When, for example, an SMS is being received and indicated by an unsolicited result code (URC), the ME wakes up to full operation.

```
+CMTI: "SM",5
```

Note that the URC used in this example will appear only, if `AT+CNMI=1,1` was configured before. After this, you may want to verify the operating status:

```
AT+CFUN?
+CFUN: 1                Indicates that ME has entered full functionality mode.
```

EXAMPLE 3

To stop CYCLIC SLEEP mode and return to full functionality:

```
AT+CFUN?
+CFUN: 5
OK
AT+CFUN=1
OK
```

Remember that this approach is not applicable to the NON-CYCLIC SLEEP mode (since the serial interface is disabled). The NON-CYCLIC SLEEP mode ends with the first wake-up event.

EXAMPLE 4

To reset and restart the ME:

```
AT+CFUN=1,1                or alternatively, AT+CFUN=0,1 or 5,1 or 6,1 or 7,1 or 8,1
OK
^SYSSTART                  The ^SYSSTART URC confirms that the ME has been rebooted. Note
                            that ^SYSSTART appears only if AT+IPR ≠ 0. If the ME is in autobaud
                            mode, it is recommended to wait 3 to 5 seconds before entering the first
                            AT command. Remember to enter the SIM PIN after restart.
```

### 2.9.1 Wake up the ME from SLEEP mode

A wake-up event is any event that switches off the SLEEP mode and causes the ME to return to full functionality. In short, it takes the ME back to `AT+CFUN=1`.

Definitions of the state transitions described in the table below:

- Yes means: ME exits SLEEP mode
- No means: ME does not exit SLEEP mode

Event	From <code>&lt;fun&gt;=0</code> to <code>&lt;fun&gt;=1</code>	From <code>&lt;fun&gt;=5</code> or <code>6</code> to <code>&lt;fun&gt;=1</code>	From <code>&lt;fun&gt;=7</code> or <code>8</code> to <code>&lt;fun&gt;=1</code>
Ignition line	No	No	No
/RTS0	Yes	No	No

Event	From <fun>=0 to <fun>=1	From <fun>=5 or 6 to <fun>=1	From <fun>=7 or 8 to <fun>=1
Unsolicited Result Code (URC)	Yes	Yes	No
Incoming voice or data call	Yes	Yes	No
Any AT command (incl. outgoing SMS, voice or data call)	Not possible (UART disabled)	No	No
Incoming SMS (AT+CNMI is set to 0,0 (this is the default setting))	No	No	No
Incoming SMS (AT+CNMI is set to 1,1)	Yes	Yes	No
RTC alarm line	Yes	Yes	No
AT+CFUN=1	Not possible (UART disabled)	Yes	Yes

## 2.10 AT^SMSO Switch off mobile station

### Syntax

Test Command

```
AT^SMSO=?
```

Response(s)

```
OK
```

Exec Command

```
AT^SMSO
```

Response(s)

```
^SMSO: MS OFF
```

```
OK
```

PIN	ASC0	MUX1	MUX2	MUX3
<input type="radio"/>	<input checked="" type="radio"/>	<input checked="" type="radio"/>	<input checked="" type="radio"/>	<input checked="" type="radio"/>

Reference(s)

```
SIEMENS
```

### Unsolicited Result Code

```
^SHUTDOWN
```

Indicates that the power-off procedure is finished and the module will be switched off within 1 second

### Command Description

The exec command initiates the power-off procedure. Low level of the module's VDD pin and display of URC "[^SHUTDOWN](#)" verifies that the procedure has completed and the module has entered the POWER DOWN mode. Therefore, be sure not to disconnect the operating voltage until VDD is low or until URC "[^SHUTDOWN](#)" is displayed. Otherwise, you run the risk of losing data. For further details on how to turn off the module see the [\[2\]](#).

### Notes

- Do not send any command after this command.
- If AT^SMSO is entered on one of the Multiplexer channels the ME closes the Multiplexer channels, terminates the Multiplexer and deactivates all other functions. Then, the URC "[^SHUTDOWN](#)" will be issued on the physical serial interface (ASC0). The URC will be transmitted at the bit rate last activated on ASC0 for use with the Multiplex driver.



## 2.11 AT+GCAP Request complete TA capabilities list

### Syntax

Test Command

```
AT+GCAP=?
```

Response(s)

```
OK
```

Exec Command

```
AT+GCAP
```

Response(s)

```
+GCAP: <name>
```

```
OK
```

PIN	ASC0	MUX1	MUX2	MUX3
<input type="radio"/>	<input checked="" type="radio"/>	<input checked="" type="radio"/>	<input checked="" type="radio"/>	<input checked="" type="radio"/>

Reference(s)

```
V.25ter
```

### Command Description

TA reports a list of additional capabilities.

### Parameter Description

<name><sup>(str)</sup>

e.g.: +CGSM,+FCLASS

### Note

- +CGSM: The response text shows which GSM commands of the ETSI standard are supported.

## 2.12 AT+CMEE Report mobile equipment error

### Syntax

#### Test Command

AT+CMEE=?

#### Response(s)

+CMEE: (list of supported<n>s)  
OK

#### Read Command

AT+CMEE?

#### Response(s)

+CMEE: <n>  
OK

#### Write Command

AT+CMEE=<n>

#### Response(s)

OK  
ERROR  
+CME ERROR: <err>

PIN      ASC0      MUX1      MUX2      MUX3

#### Reference(s)

GSM 07.07

### Command Description

This command controls the presentation of the result code +CME ERROR: <err> that indicates errors relating to ME functionality.

When you power down or reset the ME with [AT+CFUN=1,1](#) the setting will be reset to its default. The levels 1 or 2 need to be selected every time you reboot the ME, or may be included, for permanent use, in the user profile saved with [AT&W](#).

### Parameter Description

<n><sup>(num)(&W)(&V)</sup>

0 <sup>(&amp;F)</sup>	disable result code (only 'ERROR' will be displayed)
1	enable result code and use numeric values
2	enable result code and use verbose values

### Notes

- The possible error result codes are listed in [2.12.1](#) and [2.12.2](#).
- In multiplex mode (see [AT+CMUX](#)) the setting applies only to the logical channel where selected. The setting on the other channels may differ.

### Example

To obtain enhanced error messages it is recommended to choose `<n>=2`.

```
AT+CMEE=2
OK
```

## 2.12.1 Summary of CME ERRORS related to GSM 07.07

Code of <err>	Text (if <a href="#">AT+CMEE=2</a> )
0	phone failure
1	no connection to phone
2	phone-adapter link reserved
3	Operation not allowed
4	Operation not supported
5	PH-SIM PIN required
6	PH-FSIM PIN required
7	PH-FSIM PUK required
10	SIM not inserted
11	SIM PIN required
12	SIM PUK required
13	SIM failure
14	SIM busy
15	SIM wrong
16	Incorrect password
17	SIM PIN2 required
18	SIM PUK2 required
20	Memory full
21	invalid index
22	not found
23	Memory failure
24	text string too long
25	invalid characters in text string
26	dial string too long

Code of <err>	Text (if AT+CMEE=2)
27	invalid characters in dial string
30	no network service
31	Network timeout
32	Network not allowed emergency calls only
40	Network personalization PIN required
41	Network personalization PUK required
42	Network subset personalization PIN required
43	Network subset personalization PUK required
44	service provider personalization PIN required
45	service provider personalization PUK required
46	Corporate personalization PIN required
47	Corporate personalization PUK required
48	Master Phone Code required
100	Unknown
132	service option not supported
133	requested service option not subscribed
134	service option temporarily out of order
256	Operation temporary not allowed
257	call barred
258	phone is busy
259	user abort
260	invalid dial string
261	ss not executed
262	SIM blocked

## 2.12.2 Summary of CMS ERRORS related to GSM 07.05

Code of <err>	Text (if AT+CMEE=2)
1	Unassigned (unallocated) number
8	Operator determined barring
10	Call barred
21	Short message transfer rejected
27	Destination out of service
28	Unidentified subscriber
29	Facility rejected
30	Unknown subscriber
38	Network out of order

Code of <err>	Text (if AT+CMEE=2)
41	Temporary failure
42	Congestion
47	Resources unavailable, unspecified
50	Requested facility not subscribed
69	Requested facility not implemented
81	Invalid short message transfer reference value
95	Invalid message, unspecified
96	Invalid mandatory information
97	Message type non-existent or not implemented
98	Message not compatible with short message protocol state
99	Information element non-existent or not implemented
111	Protocol error, unspecified
127	Interworking, unspecified
128	Telematic interworking not supported
129	Short message Type 0 not supported
130	Cannot replace short message
143	Unspecified TP-PID error
144	Data coding scheme (alphabet) not supported
145	Message class not supported
159	Unspecified TP-DCS error
160	Command cannot be actioned
161	Command unsupported
175	Unspecified TP-Command error
176	TPDU not supported
192	SC busy
193	No SC subscription
194	SC system failure
195	Invalid SME address
196	Destination SME barred
197	SM Rejected-Duplicate SM
198	TP-VPF not supported
199	TP-VP not supported
208	D0 SIM SMS storage full
209	No SMS storage capability in SIM
210	Error in MS
211	Memory Capacity Exceeded
212	SIM Application Toolkit Busy

Code of <err>	Text (if AT+CMEE=2)
213	SIM data download error
255	Unspecified error cause
300	ME failure
301	SMS service of ME reserved
302	Operation not allowed
303	Operation not supported
304	Invalid PDU mode parameter
305	Invalid text mode parameter
310	SIM not inserted
311	SIM PIN required
312	PH-SIM PIN required
313	SIM failure
314	SIM busy
315	SIM wrong
316	SIM PUK required
317	SIM PIN2 required
318	SIM PUK2 required
320	Memory failure
321	Invalid memory index
322	Memory full
330	SMSC address unknown
331	no network service
332	Network timeout
340	NO +CNMA ACK EXPECTED
500	Unknown error
512	User abort
513	unable to store
514	invalid status
515	invalid character in address string
516	invalid length
517	invalid character in pdu
518	invalid parameter
519	invalid length or character
520	invalid character in text
521	timer expired
522	Operation temporary not allowed

## 2.13 AT+CSCS Select TE character set

### Syntax

Test Command

AT+CSCS=?

Response(s)

+CSCS: (list of supported<chset>s)  
OK

Read Command

AT+CSCS?

Response(s)

+CSCS: <chset>  
OK

Write Command

AT+CSCS=[<chset>]

Response(s)

OK



Reference(s)

GSM 07.07, GSM 11.11

### Command Description

Write command informs TA which character set <chset> is used by the TE. TA is then able to convert character strings correctly between TE and ME character sets.

### Parameter Description

<chset><sup>(str)</sup>

“GSM”(&F)

GSM default alphabet (GSM 03.38 subclause 6.2.1);  
Note: This setting may cause software flow control problems since the codes used to stop and resume data flow (XOFF = decimal 19, (XON = decimal 17) are interpreted as normal characters.

“UCS2”

16-bit universal multiple-octet coded character set (ISO/IEC10646 [32]); UCS2 character strings are converted to hexadecimal numbers from 0000 to FFFF; e.g. "004100620063" equals three 16-bit characters with decimal values 65, 98 and 99, \$(AT R97)\$

**Notes**

- Also see chapter "[Supported character sets](#)".
- When TA-TE interface is set to 8-bit operation and used TE alphabet is 7-bit, the highest bit will be set to zero.



## 2.14 AT^SCFG Extended Configuration Settings

This command can be used to query and configure various settings of the TC35i.

### Syntax

Test Command

AT^SCFG=?

Response(s)

^SCFG: "AutoExec" , (list of supported <AutoExecCmd>), (list of supported <AutoExecType>), (list of supported <AutoExecIndex>), (list of supported <AutoExecMode>), (max. string length of <AutoExecATC>), (time range of <AutoExecPeriod>)  
OK

Read Command

AT^SCFG?

Response(s)

^SCFG: "AutoExec" , <AutoExecCmd> , <AutoExecType> , <AutoExecIndex> , <AutoExecMode> , <AutoExecATC>[, <AutoExecPeriod>]  
OK

Write Command

Automatic AT command execution

AT^SCFG="AutoExec" , <AutoExecCmd> , <AutoExecType> , <AutoExecIndex>[, <AutoExecMode> , <AutoExecATC>[, <AutoExecPeriod>]]

Response(s)

^SCFG: "AutoExec" , <AutoExecCmd> , <AutoExecType> , <AutoExecIndex> , <AutoExecMode> , <AutoExecATC>[, <AutoExecPeriod>]  
OK  
ERROR  
+CME ERROR

PIN	ASC0	MUX1	MUX2	MUX3
<input type="radio"/>	<input checked="" type="radio"/>	<input type="radio"/>	<input type="radio"/>	<input type="radio"/>

Reference(s)

SIEMENS

### Unsolicited Result Code

^SCFG: "AutoExec" , <AutoExecState> , <AutoExecType> , <AutoExecIndex> , <AutoExecMode> , <AutoExecATC>

If the event specified with <AutoExecType> occurs and the related AT command line is executed this URC is issued.

### Command Description

The read command returns a list of all supported parameter and their current values.

The write command allows to query a configuration parameter (if no value is entered) or to set its value(s). Input of parameter names is always coded in GSM character set, parameter values are expected to be given as specified via [AT+CSCS](#).

The following error codes may be responded:

- "+CME ERROR: operation temporary not allowed" ... change of parameter value(s) temporarily not allowed
- "+CME ERROR: invalid index" ... invalid parameter name or invalid value(s).
- "+CME ERROR: invalid characters in text string" ... a character set conversion of parameter value(s) failed
- "+CME ERROR: operation not allowed" ... change of parameter value(s) not allowed
- "+CME ERROR: unknown" ... other errors

### Parameter Description

`<AutoExecCmd>`<sup>(str)(+CSCS)</sup>

#### AutoExec Command

This parameter specifies the AT command action type.

If the action type is set to '0', parameters following `<AutoExecIndex>` will be ignored and all values at the given index are restored to their default values.

Value will be saved while switching off the TC35i via AT commands (e.g. [AT+CFUN](#) or [AT^SMSO](#)) and restored on next power up.

- |     |   |
|-----|---|
| "0" | Disable execution of AT command at given index.   |
| "1" | Enable execution of AT command at given index. Not allowed for <code>&lt;AutoExecType&gt;=0</code> (DTR line activation) while multiplex mode is active, refer to <a href="#">AT+CMUX</a> . |

`<AutoExecState>`<sup>(str)(+CSCS)</sup>

#### AutoExec Command Status

This parameter shows the current AT command status.

Value will be saved while switching off the TC35i via AT commands (e.g. [AT+CFUN](#) or [AT^SMSO](#)) and restored on next power up.

- |     |  |
|-----|--|
| "0" | Execution of related AT command is disabled. |
| "1" | Execution of related AT command is enabled.  |

`<AutoExecType>`<sup>(str)(+CSCS)</sup>

#### AutoExec Event Type

This parameter specifies the kind of event that may be configured to automatically launch an AT command.

Value will be saved while switching off the TC35i via AT commands (e.g. [AT+CFUN](#) or [AT^SMSO](#)) and restored on next power up.

- |     |   |
|-----|---|
| "0" | ASC0 DTR line activation (OFF-ON transition).                         |
| "1" | Time span specified with <code>&lt;AutoExecPeriod&gt;</code> expires. |

<AutoExecATC><sup>(str)(+CSCS)</sup>

#### AutoExec AT command String

This parameter specifies the automatically launched AT command. It is executed as entered online, e.g. command concatenation is possible if supported by the given commands. If serial multiplex mode is activated ([AT+CMUX](#)) the first logical channel is used, i.e. CSD calls (data or fax) could be set up. If the TC35i is busy on the serial channel command execution will be delayed until ongoing action is finished.

In contrast with [AT%D](#) repeated autoexecution events are not ignored during a call triggered by such an event. The first two characters of the automatically launched AT command shall be "at" and its length shall be less than 25 characters.

Please refer to examples below.

Value will be saved while switching off the TC35i via AT commands (e.g. [AT+CFUN](#) or [AT^SMSO](#)) and restored on next power up.

<AutoExecMode><sup>(str)(+CSCS)</sup>

#### AutoExec Command Mode

This parameter specifies details regarding the behavior of the TC35i when the AT command starts to be executed.

Value is interpreted as a bit field, unused bits are reserved for future use (RFU) and shall be set to 0.

Bit	Mask <sub>hex</sub>	Mask <sub>dec</sub>	Control
D <sub>0</sub>	0x00	0	00: Ignore ongoing calls
D <sub>1</sub>	0x01	1	01: Wait for all calls have ended
	0x02	2	10: Dismiss any ongoing call
	0x03	3	11: RFU
D <sub>2</sub>	0x04	4	0: One shot action 1: Periodically action (for "AutoExec/Period" only)
D <sub>3</sub>	0x08	8	RFU
D <sub>4</sub>	0x10	16	RFU
D <sub>5</sub>	0x20	32	RFU
D <sub>6</sub>	0x40	64	RFU
D <sub>7</sub>	0x80	128	RFU

When a call is released by autoexec activity, no release indication may be issued on the first logical channel. If during a data call the TC35i temporarily enters command mode via [+++](#) no AT command will be executed if [<AutoExecMode>](#) specifies 'Ignore ongoing calls'.

Value will be saved while switching off the TC35i via AT commands (e.g. [AT+CFUN](#) or [AT^SMSO](#)) and restored on next power up.

0...255

<AutoExecIndex><sup>(str)(+CSCS)</sup>

#### AutoExec Command Index

This parameter specifies the command storage index. If the range comprises more than one storage the related [<AutoExecType>](#) variant may be started in parallel with different parameter settings.

The following table shows the index ranges of the different [<AutoExecType>](#) variants.

<AutoExecType> value	<AutoExecType> event	Valid Indices
0	ASC0 DTR line activation	0
1	<AutoExecPeriod> expiration	0-2

Value will be saved while switching off the TC35i via AT commands (e.g. AT+CFUN or AT^SMSO) and restored on next power up.

<AutoExecPeriod><sup>(str)(+CSCS)</sup>

AutoExec AT Command Period

Parameter specifies the period after which <AutoExecATC> will be executed. Format is "hhh:mm:ss", where characters indicate hours and minutes. This parameter applies for <AutoExecPeriod>=1 only.

Due to the internal activity and network signalling an execution delay of several seconds may occur for the overall procedure.

Value will be saved while switching off the TC35i via AT commands (e.g. AT+CFUN or AT^SMSO) and restored on next power up.

000:00:05...240:00:00

### Notes

- Automatic dialing on DTR line activation can also be enabled via AT%D. However, AT%D and <AutoExecType>=0 shall not be used at the same time. If both kinds of DTR triggered autoexecution are enabled only AT%D related action will be performed.
- Please keep in mind, that each time the ME is restarted the timers of all autoexec actions configured with <AutoExecType>=1 and <AutoExecPeriod> will be reinitialized and restarted. As a result, an autoexec action configured at a time later then a scheduled automatic restart would never be executed.
- Please be careful using <AutoExecType>=1 with small period values and shutdown or reset AT commands, since only little time remains to change these settings again after TC35i restart.
- If <AutoExecATC> uses AT commands containing secret data, this information may be retrieved with AT^SCFG?. For instance, this applies if using AT+CPIN.

## Examples

### EXAMPLE 1

Enable sending of a short message (SMS) on next DTR activation (OFF-ON transition). Sent SMS is assumed to be stored at first location of storage selected with [AT+CPMS](#) and [AT^SSMSS](#), i.e. SMS may be sent from either SIM or ME storage.

Also refer to [AT+CMSS](#) and [AT+CMGW](#). Since SMS transmission and ongoing calls are possible at the same time there is no need to wait until all calls have ended. (<AutoExecMode>=0).

```
AT+CMGF=1           Enable SMS text mode
OK
AT+CNMI=1,1         Enable "+CMTI:" URC on any received SMS
OK
AT+CMGD=1           Delete first SMS location
OK
AT+CMGW="01522400045",145   Store an SMS with
>Test-SMS to be sent from storage!   text entry (finish with CTRL-Z)
+CMGW: 1             SMS confirmed to be stored at first location
OK
AT^SCFG="AutoExec",1,0,0,0,"AT+CMSS=1"   Enable execution on next DTR activation
^SCFG: "AutoExec","1","0","0","0","at+cmss=1"
^SCFG: "AutoExec","0","1","0","0","","","000:00:00","000:00:00"
^SCFG: "AutoExec","0","1","1","0","","","000:00:00","000:00:00"
^SCFG: "AutoExec","0","1","2","0","","","000:00:00","000:00:00"
OK
```

If a DTR activation has occurred the ME issues the URC "[^SCFG](#): " followed by the response of the executed command; the message reference in this case:

```
^SCFG: "AutoExec",0,0,1,0,"AT+CMSS=1"
OK           "AT+CMSS=1" command entry confirmation
+CMSS: 16
```

### EXAMPLE 2

Perform a reset with the TC35i periodically after 10 hours, but wait for all calls have ended. For details regarding software controlled power down refer to [AT+CFUN](#) and [AT^SMSO](#).

```
AT^SCFG="AutoExec",1,1,2,5,"AT+CFUN=0,1","010:00:00"
...
OK
```

After ten hours:

```
^SCFG: "AutoExec",1,1,2,5,"AT+CFUN=0,1"
OK           "AT+CFUN=0,1" command entry confirmation
SYSSTART    TC35i has restarted
```

EXAMPLE 3

Switch off the TC35i after three minutes without restart.

For details regarding software controlled power down refer to [AT+CFUN](#) and [AT^SMSO](#).

```
AT^SCFG="AutoExec",1,1,3,0,"AT^SMSO","000:03:00"
```

```
...
```

```
OK
```

After three minutes:

```
^SCFG:"AutoExec",0,1,3,0,"AT^SMSO"
```

```
OK
```

"AT^SMSO" command entry confirmation

```
^SHUTDOWN
```

"AT^SMSO" command response

## 2.15 AT^SM20 Set M20 compatibility mode

### Syntax

Test Command

```
AT^SM20=?
```

Response(s)

```
OK
```

Read Command

```
AT^SM20?
```

Response(s)

```
^SM20: <CallMode>, <CmgwMode>
```

```
OK
```

Write Command

```
AT^SM20=<CallMode>[, <CmgwMode>]
```

Response(s)

```
OK
```

PIN	ASC0	MUX1	MUX2	MUX3
<input type="radio"/>	<input checked="" type="radio"/>	<input checked="" type="radio"/>	<input checked="" type="radio"/>	<input checked="" type="radio"/>

Reference(s)

```
SIEMENS
```

### Command Description

M20 is an earlier, widely used SIEMENS GSM engine. The [AT^SM20](#) command selects different modes of responses returned upon execution of the commands [ATD](#) and sms commands like e.g. [AT+CMGW](#). Please note that the [AT^SM20](#) command has no effect on any other features and is not intended to adjust other differences between M20 and TC35i.

**Parameter Description**

**<CallMode><sup>(num)</sup>**

Call setup response mode

Applies only to voice calls.

0

Set compatibility to Siemens mobile phones.

ME will return "OK" immediately after attempting a call with the [ATD](#) command. In case of failure, additional call release indications, such as "NO DIAL TONE", "NO CARRIER", "BUSY" will follow.

1(&F)

Default call setup mode, compatible to M20.

ME will return "OK" in case of a successful connection, otherwise one of the call release indications "NO DIAL TONE", "NO CARRIER", "BUSY" are indicated.

**<CmgwMode><sup>(num)</sup>**

Response mode for sending and writing short messages

Applies to the sms commands like e.g. [AT+CMGS](#) and [AT+CMGW](#) command.

0

Set compatibility to Siemens mobile phones.

ME will return +CMS ERROR: <err> when writing or sending of short messages fails.

1(&F)

Default mode for sending and writing short messages, compatible to M20.

ME will return "OK", no matter whether or not sms command was successfully executed.



## 3. Status Control Commands

The AT Commands described in this chapter allow the external application to obtain various status information from the TC35i.

### 3.1 AT+CMER Mobile Equipment Event Reporting

This command controls details of the "+CIEV" URC presentation related to [AT^SIND](#) and [AT+CIND](#). If registered via these commands the URCs are sent whenever a value of the related indicator changes. After [AT+CMER](#) has been switched on, URCs for all registered indicators will be issued.

#### Syntax

Test Command

```
AT+CMER=?
```

Response(s)

```
+CMER: (list of supported<mode>s), (list of supported<keyp>s), (list of supported<disp>s), (list of supported<ind>s), (list of supported<bfr>s)  
OK
```

Read Command

```
AT+CMER?
```

Response(s)

```
+CMER: <mode>, <keyp>, <disp>, <ind>, <bfr>  
OK
```

Write Command

```
AT+CMER=[<mode>[, <keyp>[, <disp>[, <ind>[, <bfr>]]]]]
```

Response(s)

```
OK  
ERROR  
+CME ERROR
```

PIN	ASC0	MUX1	MUX2	MUX3
●	●	●	●	●

Reference(s)

GSM 07.07

### Unsolicited Result Code

+CIEV: <indDescr>, <indValue>

A value of an indicator has changed.

### Command Description

The read command returns the URC presentation mode <mode> and among others, the indicator event reporting status <ind>.

The write command enables and disables the presentation of "+CIEV: <indDescr>, <indValue>" URCs. <indDescr> refers to the name of a "+CIEV" indicator and <indValue> is the new value of this indicator. All registered indicator events will be issued to the TE.

### Parameter Description

<b>&lt;mode&gt;</b> <sup>(num)&amp;(W)</sup>	
0(&F)	Discard "+CIEV" URCs.
1	Discard "+CIEV" URCs when TA-TE link is reserved, e.g. in online data mode. Otherwise they are forwarded directly to the TE.
2	Buffer "+CIEV" URCs in the TA while TA-TE link is reserved, e.g. in online data mode, and flush them to the TE afterwards. Otherwise they are forwarded directly to the TE.
3	Forward "+CIEV" URCs directly to the TE. If TC35i is in online data mode, URCs are signaled via sending BREAK (100ms) and stored in a buffer. Once it is back in command mode e.g. after +++ was entered, all URCs stored in the buffer will be output.
<b>&lt;keyp&gt;</b> <sup>(num)</sup>	
0(&F)	Keypad event reporting is not supported by TC35i.
<b>&lt;disp&gt;</b> <sup>(num)</sup>	
0(&F)	Display event reporting is not supported by TC35i.
<b>&lt;ind&gt;</b> <sup>(num)&amp;(W)</sup>	
0(&F)	Disable indicator event reporting.
2	Enable indicator event reporting.
<b>&lt;bfr&gt;</b> <sup>(num)</sup>	
0(&F)	TA buffer of URCs defined within this command is cleared when <mode> 1..3 is entered.
<b>&lt;indDescr&gt;</b> <sup>(str)</sup>	
Name of indicator; for a list of all supported indicators please refer to <a href="#">AT+CIND</a> and <a href="#">AT^SIND</a> .	
<b>&lt;indValue&gt;</b> <sup>(num)</sup>	
Value of indicator; for a list of all values for the supported indicators please refer to <a href="#">AT+CIND</a> and <a href="#">AT^SIND</a> .	

**Note**

- If the ME operates on different instances (MUX channels 1, 2, 3) avoid different settings for routing and indicating SMS. For example, if messages shall be routed directly to one instance of the TE (set with [AT+CNMI](#), [AT^SSDA](#)), it is not possible to activate the presentation of URCs with [AT+CMER](#) or [AT+CNMI](#) on another instance. Any attempt to activate settings that conflict with existing settings on another interface, will result in CME ERROR, or accordingly CMS ERROR.

## 3.2 AT+CIND Indicator control

This command controls information about status changes via URC presentation of the \$product; or connected items, e.g. battery charge level, signal quality, service availability, sound generation, indication of unread short messages, full SMS storage, call in progress or roaming activities.

Use of this command is outdated since additional indications and functionality are available with [AT^SIND](#).

[AT+CIND](#) supports two ways to get the values related to indicators:

- Query the current status of each indicator by using the read command [AT+CIND?](#). It returns the status no matter whether the indicator has been registered with the write command [AT+CIND=\[<state>\[,<state>\[,...\]\]\]](#).
- Evaluate one of the "+CIEV" URCs which the ME automatically sends to the application, whenever the value of the associated indicator changes.  
The presentation of these URCs depends on two settings:
  - The indicators must be registered with the write command [AT+CIND=\[<state>\[,<state>\[,...\]\]\]](#). By default, all of them are registered when the ME is switched on. Any URC can be excluded if deregistered with [<state>=0](#).
  - URC presentation must be enabled with [AT+CMER](#).

### Syntax

Test Command

```
AT+CIND=?
```

Response(s)

```
+CIND: (<indDescr>, list of supported <indValue>s)[, (<indDescr>, list of supported <indValue>s)[, ...]]  
OK
```

Read Command

```
AT+CIND?
```

Response(s)

```
+CIND: <indValue>[, <indValue>[, ...]]  
OK  
ERROR  
+CME ERROR: <err>
```

Write Command

```
AT+CIND=<state>[, <state>[, ...]]
```

Response(s)

```
OK  
ERROR  
+CME ERROR: <err>
```

PIN	ASC0	MUX1	MUX2	MUX3
○	●	●	●	●

Reference(s)
GSM 07.07

### Command Description

The read command returns the status of the ME indicators.

The write command is used to switch the event report for each indicator type. The Indicator Event Reports are displayed to the TE via "+CIEV" which can be enabled using [AT+CMER](#).

### Parameter Description

`<indValue>`<sup>(num)</sup>

Integer type value, which shall be in range of corresponding `<indDescr>`

`<indDescr>`<sup>(str)</sup>

String values and their `<indValue>` ranges.

More indications are available via [AT^SIND](#). Therefore use of [AT^SIND](#) for control of all indications is recommended.

The following indications are accessible via [AT+CIND](#):

"battchg"	Battery charge level 0..4 or 5 if no measuring is performed, e.g because no battery is connected. Also refer <a href="#">AT^SBC</a> .
"signal"	Signal quality (0..7) or (99) if not measurable. The indicated value is the bit error rate of the signal received. If there are bit errors this is not a constant but a estimated value which will change in time. See also <a href="#">AT+CSQ</a> .
"service"	Service availability (0-1) 0: Not registered to any network 1: Registered to home network or, if "roam"=1 then registered to another network
"sounder"	Sounder activity (0-1). The indicator provides information about tones generated in the ME. Value 1 means for example: Incoming call - ME is ringing. Note that the URC "+CIEV": "sounder" indicator will be output only if ringing tones are activated with <a href="#">AT^SRTC</a> . Waiting call - ME generates waiting call tone (if call waiting is enabled). Outgoing call - ME generates Call Progress tone. Outgoing call - ME generates BUSY tone. The value changes to 0 if tone stops
"message"	Unread short message at memory location <code>&lt;mem1&gt;</code> (0-1); refer to <a href="#">AT+CPMS</a>
"call"	Call in progress (0-1). Indicator value is "1" if at least one call is in state "active" or "held".
"roam"	Roaming indicator (0-1) 0: Registered to home network or not registered 1: Registered to other network

"smsfull"	A short message memory storage in the MT has become full (1) or memory locations are available (0), i.e. range is (0-1)
"rsqi"	Received signal (field) strength (0..5) or (99) if not measurable. 0: signal strength <= -112 dbm 1-4: signal strength in 15 dbm steps 5: signal strength >= -51 dbm Received signal (field) strength can also be obtained with <a href="#">AT+CSQ</a> . However, the signal strength is scaled to value range 0..31 by this command.

<code>&lt;state&gt;<sup>(num)</sup></code>	
0	Indicator is deregistered. The indicator will not be presented as "+CIEV" URC, but can be queried with <a href="#">AT+CIND?</a> .
[1] <sup>(P)</sup>	Indicator is registered, indicator event report allowed.

### Notes

- Due to its restrictive range of values, there are events when it is not entirely clear from the context, which event has led to the output of indicator "call". Rather than as an information in itself, indicator "call" should therefore be used as a trigger to look up the new call status in the list of current calls with AT commands [AT+CLCC](#) or [AT^SCNI](#).
- The indicator "sounder" signals every event a tone is generated in the ME. For instance, if a waiting call produces a tone, this will be indicated.
- If the ME is switched on all indicators are in registered state.
- Use [AT+CMER](#) command to allow Indicator Event Report of all registered indicators.

### Example

```

^SYSSTART
AT+CPIN=9999
OK
AT+CIND?
+CIND: 5,99,1,0,0,0,0,0,5

The battery is either full or no battery is connected to the ME. The bit error rate of the signal quality is not available (since there is no call in progress). The ME is registered to its home network.

OK
AT+CMER=2,0,0,2

Now activate the Indicator Event Report with AT+CMER.

OK
+CIEV: battchg,5
+CIEV: signal,99
+CIEV: service,1
+CIEV: sounder,0
+CIEV: message,0
+CIEV: call,0
+CIEV: roam,0

```

+CIEV: smsfull,0	
+CIEV: rssi,5	Receive with full signal field strength
ATD0123456;	Make a call.
OK	
+CIEV: sounder,1	Receive a set of "+CIEV" URCs reports.
+CIEV: call,1	
+CIEV: sounder,0	
+CIEV: call,0	The receiver hangs up.
NO CARRIER	
AT+CIND=,,,0,,0	Deregister the indicators "call" and "sounder"
OK	
ATD0123456;	Rebuild the same call.
OK	
	This time, no URCs are displayed.
NO CARRIER	

### 3.3 AT^SIND Extended Indicator Control

AT^SIND supplies extended event indicator control and

- offers greater flexibility than standard AT+CIND,
- offers several extra indicators,
- can show the current status of all indicators supported by AT+CIND and AT^SIND,
- gives the possibility to register or deregister the indicators of both commands,
- displays all indicator event reports via "+CIEV" URCs.

Presentation mode of the generated URCs is controlled via AT+CMER.

#### Syntax

Test Command

```
AT^SIND=?
```

Response(s)

```
^SIND: (<indDescr>, list of supported <indValue>s)[, (<indDescr>, list of supported <indValue>s)[, ...]], (list of supported <Mode>s)  
OK
```

Read Command

```
AT^SIND?
```

Response(s)

```
^SIND: <indDescr>, <Mode>, <indValue>  
OK  
ERROR  
+CME ERROR: <err>
```

Write Command

```
AT^SIND=<indDescr>, <Mode>
```

Response(s)

```
OK  
ERROR  
+CME ERROR: <err>
```

PIN	ASC0	MUX1	MUX2	MUX3
<input type="radio"/>	<input checked="" type="radio"/>	<input checked="" type="radio"/>	<input checked="" type="radio"/>	<input checked="" type="radio"/>

Reference(s)

SIEMENS



### Command Description

The read command provides a list of all indicators supported by [AT+CIND](#) and [AT^SIND](#). Each indicator is represented with its registration mode and current value.

The write command can be used to select a single indicator in order to modify its registration and to view the current value.

### Parameter Description

`<indValue>`<sup>(num)</sup>

Integer type value in the range stated below for the corresponding `<indDescr>`

`<indDescr>`<sup>(str)</sup>

String values and their `<indValue>` ranges.

All indicators supported by [AT+CIND](#) are accessible with this command, too. A detailed description of these indicators can be found there.

The following indicators are accessible via [AT^SIND](#) only:

"ciphcall"

Ciphering Status Change Indication

As stated in GSM specifications 02.07 and 02.09 the ciphering indicator feature allows the ME to detect that ciphering is not switched on and to indicate this to the user.

The ciphering indicator feature may be disabled by the home network operator setting data in the "administrative data" field (EF<sub>AD</sub>) in the SIM, as defined in GSM 11.11.

If this feature is not disabled by the SIM, then whenever a connection is in place, which is, or becomes unenciphered, an indication shall be given to the user. This enables the user's decision how to proceed.

Read command returns valid ciphering status only if a call is in progress or active.

If EF<sub>AD</sub> setting disables the ciphering indicator feature read command always indicates a ciphered link and no URC presentation will take place.

Note:

The following restrictions apply if the same serial channel is used for [AT^SIND](#) "ciphcall" indication and for the action triggering this URC. In general, the recommended solution is to use a dedicated channel for all status signalling via URCs.

- If an unciphered mobile originated SMS is performed, [AT^SIND](#) "ciphcall" URCs on the same serial channel will be issued after the related "OK" and indicate the ciphering state at *this* time. Because the SMS is already sent at this time, you will get 2 URCs on this channel, but both are indicating that ciphering is enabled.
- If an unciphered mobile originated data call is performed, [AT^SIND](#) "ciphcall" URCs on the same serial channel will be issued after the interface is not longer blocked by the call (call is released or temporarily stopped) and indicate the ciphering state at *this* time.

0 .. Current call or SMS is not ciphered.

1 .. Current call or SMS is ciphered.

`<Mode>`<sup>(num)</sup>

0 Indicator is deregistered, i.e. no such indicator event report (URC) will be issued.

1 Indicator is registered.

- Indicator event reports are controlled via [AT+CMER](#).
- Indicators defined by [AT^SIND](#) remain deregistered until explicitly enabled.
- On the other hand indicators supported by [AT+CIND](#) are registered while the TC35i is powered up.

2

Query the registration status and the current value of a single indicator type.

## 3.4 AT+CEER Extended error report

### Syntax

Test Command

```
AT+CEER=?
```

Response(s)

```
OK
```

Exec Command

```
AT+CEER
```

Response(s)

```
+CEER: <locationID>, <reason>, <ssRelease>
```

```
OK
```

PIN	ASC0	MUX1	MUX2	MUX3
●	●	●	●	●

Reference(s)

```
GSM 07.07
```

### Command Description

TA returns an extended error report of the reason for the last

- call release
- failure to set up a call (both mobile originated or terminated)
- failure to modify a call by using Supplementary Services
- failed attempt to activate, register, query, deactivate or deregister a Supplementary Service

The release cause report is presented in numeric format. A description associated with each number can be found in the tables given in the following subclauses. The first parameter <locationID> serves to locate the other two parameters. Depending on the failure or release cause either <reason> or <ssRelease> are applicable.

### Parameter Description

<locationID><sup>(num)</sup>

Location ID as number code. Location IDs are listed in subclause 3.4.1. Each ID is related with another table that contains a list of <reason>s or <ssRelease>s.

<reason><sup>(num)</sup>

Reason for last call release as number code. The number codes are listed in several tables, sorted by different categories in the following subclauses. The tables can be found proceeding from the Location ID given in subclause 3.4.1.

<ssRelease><sup>(num)</sup>

Release cause for last Supplementary Service call (listed in subclause 3.4.9) or last call related use of a Supplementary Service (listed in subclause 3.4.10).

### Notes

- [AT+CEER](#) is not available for data calls, please use [ATS18=1](#).
- Default output in the case of a no-error-situation is +CEER: 0,0,0.
- If [<reason>](#) ≠ 0, then [<ssRelease>](#) = 0. Vice versa, if [<reason>](#) = 0, then [<ssRelease>](#) may be ≠ 0.

### Examples

#### EXAMPLE 1

ATD"01751223344" ;	A mobile originated call is rejected by the remote party.
NO CARRIER	Call setup is terminated with NO CARRIER.
AT+CEER	To check the cause, the caller enters AT+CEER.
+CEER: 8,21,0	The Location ID 8 stated in subclause 3.4.1 points to subclause 3.4.6, where 21 = "Call rejected". 0 = No error (parameter <a href="#">&lt;ssRelease&gt;</a> is not applicable).
OK	

#### EXAMPLE 2

The user attempts to set up a multiparty call, though there are only two parties involved in the present conversation:

ATD"01751223344" ;	
OK	
AT+CHLD=2	
OK	
AT+CHLD=3	
+CME ERROR: operation temporary not allowed	
AT+CEER	
+CEER: 22,0,2	The Location ID 22 stated in subclause 3.4.1 points to subclause 3.4.10, where 2 = "Initial conditions not fulfilled (one active, one held call)".
OK	0 = No error (parameter <a href="#">&lt;reason&gt;</a> is not applicable).

EXAMPLE 3

The user attempts to activate call barring. Activation is denied by the network since the password is blocked after previous failures to enter the password.

```
AT+clck=oi,1,"0000",3;
+CME ERROR: incorrect password
AT+CEER
+CEER: 35,0,43
OK
```

The Location ID 35 stated in subclause 3.4.1 points to subclause 3.4.10, where 43 = "NumberOfPWAttemptsViolation" (for example if wrong password has been entered 3 times or more). 0 = No error (parameter <reason> is not applicable).

### 3.4.1 Cause Location ID for the extended error report

ID	Description
0	No error (default)
1	SIEMENS L2 cause
2	GSM cause for L3 Radio Resource Sublayer (GSM 04.08 annex F)
3	SIEMENS cause for L3 Radio Resource Sublayer
4	GSM cause for L3 Mobility Management (GSM 04.08 annex G)
5	SIEMENS cause for L3 Mobility Management
6	GSM cause for L3 Mobility Management via MMR-SAP (GSM 04.08 annex G)
7	SIEMENS cause for L3 Mobility Management via MMR-SAP
8	GSM cause for L3 Call Control (GSM 04.08 10.5.4.11 and annex H)
9	SIEMENS cause for L3 Call Control
11	SIEMENS cause for L3 Advice of Charge Entity
12	GSM cause for L3 SMS CP Entity
13	SIEMENS cause for L3 SMS CP Entity
14	GSM cause for L3 SMS RL Entity
15	SIEMENS cause for L3 SMS RL Entity
16	GSM cause for L3 SMS TL Entity
17	SIEMENS cause for L3 SMS TL Entity
18	SIEMENS cause for DSM Entity
21	GSM cause for L3 Call-related Supplementary Services
22	SIEMENS cause for L3 Call-related Supplementary Services
32	SIEMENS cause for Supplementary Services Entity
33	SIEMENS cause for Supplementary Services Manager
34	Network cause for Supplementary Services (GSM 04.08 10.5.4.11 and annex H)
35	Supplementary Services network error (GSM 04.80 3.6.6)

ID	Description
50	GSM cause for Session Management (GSM 04.08 annex I)
51	SIEMENS cause for Session Management
127	SIEMENS cause for protocol module or other local cause
128	Supplementary Services general problem (GSM 04.80 3.6.7)
129	Supplementary Services invoke problem (GSM 04.80 3.6.7)
130	Supplementary Services result problem (GSM 04.80 3.6.7)
131	Supplementary Services error problem (GSM 04.80 3.6.7)
242	SIEMENS cause for Link Management

### 3.4.2 GSM release cause for L3 Radio Resource (RR)

Number	Description
0	Normal event
1	Abnormal release, unspecified
2	Abnormal release, channel unacceptable
3	Abnormal release, timer expired
4	Abnormal release, no activity on the radio path
5	Pre-emptive release
8	Handover impossible, timing advance out of range
9	Channel mode unacceptable
10	Frequency not implemented
65	Call already cleared
95	Semantically incorrect message
96	Invalid mandatory information
97	Message type non-existent or not implemented
98	Message type not compatible with protocol state
100	Conditional information element error
101	No cell allocation available
111	Protocol error unspecified

### 3.4.3 SIEMENS release cause for L3 Radio Resource (RR)

Number	Description
1	Racchs not answered
2	Racchs rejected
3	Access class of the SIM is barred by the network provider

Number	Description
4	SABM failure
5	Radio link counter expiry or PerformAbnormalRelease
6	Confirm ABORT of the MM
7	Respond to DEACT REQ
8	Loss of coverage
9	Reestablishment not possible

### 3.4.4 GSM release cause for Mobility Management (MM)

Number	Description
Causes related to MS identification	
2	IMSI unknown in HLR
3	Illegal MS
4	IMSI unknown in VLR
5	IMEI not accepted
6	Illegal ME
Cause related to subscription options	
11	PLMN not allowed
12	Location Area not allowed
13	Roaming not allowed in this location area
Causes related to PLMN specific network failures and congestion	
17	Network failure
22	Congestion
Causes related to nature of request	
32	Service option not supported
33	Requested service option not subscribed
34	Service option temporarily out of order
38	Call cannot be identified
Causes related to invalid messages	
95	Semantically incorrect message
96	Invalid mandatory information
97	Message type non-existent or not implemented
98	Message not compatible with protocol state
99	Information element non-existent or not implemented
100	Conditional information element error
101	Messages not compatible with protocol state
111	Protocol error, unspecified

### 3.4.5 SIEMENS release cause for L3 Mobility Management (MM)

Number	Description
1	No SIM available
8	No MM connection
9	Authentication failure
11	MM performs detach
17	Registration failed and will be re-attempted in a short term
18	CM connection establishment failed
19	Registration failed and will be re-attempted in a long term
20	RR connection is released
21	MS tries to register
22	SPLMN is not available
23	An MTC is in progress
24	A PLMN scan is in progress

### 3.4.6 GSM release cause for L3 Call Control (CC)

Number	Description
0	No error
Normal class	
1	Unassigned (unallocated) number
3	No route to destination
6	Channel unacceptable
8	Operator determined barring
16	Normal call clearing
17	User busy
18	No user responding
19	User alerting, no answer
21	Call rejected
22	Number changed
25	Pre-emption
26	Non-selected user clearing
27	Destination out of order
28	Invalid number format (incomplete number)
29	Facility rejected
30	Response to STATUS ENQUIRY
31	Normal, unspecified



Number	Description
Resource unavailable class	
34	No circuit/channel available
38	Network out of order
41	Temporary failure
42	Switching equipment congestion
43	Access information discarded
44	Requested circuit/channel not available
47	Resource unavailable, unspecified
Service or option not available class	
49	Quality of service unavailable
50	Requested facility not subscribed
55	Incoming calls barred within the CUG
57	Bearer capability not authorized
58	Bearer capability not presently available
63	Service or option not available, unspecified
Service or option not implemented	
65	Bearer service not implemented
68	ACM equal or greater than ACMmax
69	Requested facility not implemented
70	Only restricted digital information bearer capability is available
79	service or option not implemented, unspecified
Invalid message (e.g. parameter out of range) class	
81	Invalid transaction identifier value
87	User not member of CUG
88	Incompatible destination
91	Invalid transit network selection
95	Semantically incorrect message
Protocol error (e.g. unknown message) class	
96	Invalid mandatory information
97	Message type non-existent or not implemented
98	Message type not compatible with protocol state
99	Information element non-existent or not implemented
100	Conditional information element error
101	Message not compatible with protocol
102	Recovery on timer expiry
111	Protocol error, unspecified

Number	Description
Interworking class	
127	Interworking, unspecified

### 3.4.7 SIEMENS release cause for L3 Call Control (CC)

Number	Description
1	Call dropped
2	Service not available
3	Hold procedure not available
4	Temporary no service, previous procedure not yet finished
5	No speech service available
6	Call reestablishment procedure active
7	Mobile received a release (complete) message during a modify procedure (modify reject)
8	Call clearing, because loss of radio connection, if no reestablishment is allowed (call not active)
10	Number not included in FDN list
Notifications	
300	Called party barred incoming call

### 3.4.8 SIEMENS release cause for L3 Advice of Charge (AOC)

Number	Description
1	SIM data not available
2	SIM does not support AOC
3	SIM data access error
4	ACM limit almost reached ACM range overflow
5	ACM range overflow

### 3.4.9 GSM Release cause for Supplementary Service Call

Number	Description
0	No error (default)
1	UnknownSubscriber
9	IllegalSubscriber
10	BearerServiceNotProvisioned
11	TeleserviceNotProvisioned
12	IllegalEquipment

Number	Description
13	CallBarred
15	CUGReject
16	IllegalSSOperation
17	SSErrorStatus
18	SSNotAvailable
19	SSSubscriptionViolation
20	SSIncompatibility
21	FacilityNotSupported
27	AbsentSubscriber
29	ShortTermDenial
30	LongTermDenial
34	SystemFailure
35	DataMissing
36	UnexpectedDataValue
37	PWRegistrationFailure
38	NegativePWCheck
43	NumberOfPWAttemptsViolation
71	UnknownAlphabet
72	USSDBusy
126	MaxNumsOfMPTYCallsExceeded
127	ResourcesNotAvailable
General Problem Codes	
300	Unrecognized Component
301	Mistyped Component
302	Badly Structured Component
Invoke Problem Codes	
303	Duplicate Invoke ID
304	Unrecognized Operation
305	Mistyped Parameter
306	Resource Limitation
307	Initiating Release
308	Unrecognized Linked ID
309	Linked Response Unexpected
310	Unexpected Linked Operation
Return Result Problem Codes	
311	Unrecognize Invoke ID
312	Return Result Unexpected

Number	Description
313	Mistyped Parameter
Return Error Problem Codes	
314	Unrecognized Invoke ID
315	Return Error Unexpected
316	Unrecognized Error
317	Unexpected Error
318	Mistyped Parameter

### 3.4.10 SIEMENS release cause for Call-related Supplementary Services (CRSS)

Number	Description
0	ECT procedure failed (timer expired)
1	Call has been cleared without receiving an answer to ECT request
2	Initial conditions not fulfilled (one active, one held call)
3	Received "return error"
4	Call has been cleared without receiving an answer to CCBS request
5	Initial conditions for CCBS not fulfilled (Idle CRSS)
Causes related to nature of request	
25	LLC or SNDSCP failure
26	Insufficient resources
27	Unknown or missing access point name
28	Unknown PDP address or PDP type
29	User authentication failed
30	Activation rejected by GGSN
31	Activation rejected, unspecified
32	Service option not supported
33	Requested service option not subscribed
34	Service option temporarily out of order
35	NSAPI already used
36	Regular PDP context deactivation
37	QoS not accepted
38	Network failure
39	Reactivation requested
40	Feature not supported
Causes related to invalid messages	
81	Invalid transaction identifier value

---

Number	Description
95	Semantically incorrect message
96	Invalid mandatory information
97	Message type non-existent or not implemented
98	Message type not compatible with protocol state
99	Information element non-existent or not implemented
100	Conditional information element error
101	Message not compatible with protocol
111	Protocol error, unspecified

## 3.5 ATS18 Extended call release report

### Syntax

Read Command

ATS18?

Response(s)

<n>

OK

Write Command

ATS18=<n>

Response(s)

OK

PIN	ASC0	MUX1	MUX2	MUX3
<input type="radio"/>	<input checked="" type="radio"/>	<input checked="" type="radio"/>	<input type="radio"/>	<input type="radio"/>

Reference(s)

V.25ter

### Command Description

This command enables or disables the presentation of extended call release reports for fax and data calls. The call release report is presented in numeric format and includes the following parameters:

+CAUSE: <locationID>, <reason>

If enabled the message will be reported every time a fax or data call is released or fails to be established.

### Parameter Description

<n><sup>(num)(&W)(&V)</sup>

An odd number enables the presentation of the extended call release report. An even number disables this feature.

0<sup>(&F)</sup>...255

<locationID><sup>(num)</sup>

Location ID as number code (see also <locationID> of AT+CEER). Location IDs are listed in section 3.4.1. Each ID is related to another table that contains a list of <reason>s.

<reason><sup>(num)</sup>

Reason for last call release as number code (see also <reason> of AT+CEER). <reason> numbers and the associated descriptions are listed in several tables, sorted by different categories in Chapter AT+CEER. The tables can be found proceeding from the Location IDs listed in 3.4.1.

### Note

- The command applies only to circuit switched data and fax calls. For voice calls extended call release reports can be retrieved using the command [AT+CEER](#).

### Examples

#### EXAMPLE 1

ATS18=1	Enables the presentation of extended call release reports.
OK	
ATD03012345678	Now, a mobile originated data call fails.
+CAUSE: 8:17	An extended error report is output, followed by the result code BUSY.
BUSY	The Location ID 8 stated in section <a href="#">3.4.1</a> points to section <a href="#">3.4.6</a> , where 17 = "User busy".

#### EXAMPLE 2

ATS18=1	Enables the presentation of extended call release reports.
OK	
ATD03012345678	Now, a mobile originated data call is set up.
CONNECT 9600/RLP	
Hello, . . . .	
+++	Call ends after remote party hung up.
+CAUSE: 8:16	Normal call release is reported, followed by the result code NO CARRIER.
NO CARRIER	The Location ID 8 stated in section <a href="#">3.4.1</a> points to section <a href="#">3.4.6</a> , where 16 = "Normal call clearing".

## 3.6 AT+CPAS Mobile equipment activity status

### Syntax

Test Command

AT+CPAS=?

Response(s)

+CPAS: (list of supported<pas>s)  
OK

Exec Command

AT+CPAS

Response(s)

+CPAS: <pas>  
OK  
ERROR  
+CME ERROR: <err>

PIN	ASC0	MUX1	MUX2	MUX3
○	●	●	●	●

Reference(s)

GSM 07.07

### Command Description

TA returns the activity status of ME.

### Parameter Description

<pas><sup>(num)</sup>

0	ready
3	incoming call (ringing)
4	call in progress or call hold



### 3.7 AT+WS46 Select wireless network

#### Syntax

Test Command

AT+WS46=?

Response(s)

+WS46: (list of supported<n>s)

OK

Read Command

AT+WS46?

Response(s)

<n>

OK

Write Command

AT+WS46=[<n>]

Response(s)

OK

PIN	ASC0	MUX1	MUX2	MUX3
<input type="radio"/>	<input checked="" type="radio"/>	<input checked="" type="radio"/>	<input checked="" type="radio"/>	<input checked="" type="radio"/>

Reference(s)

GSM 07.07

#### Parameter Description

<n><sup>(num)</sup>

12

GSM digital cellular

## 4. Serial Interface Control Commands

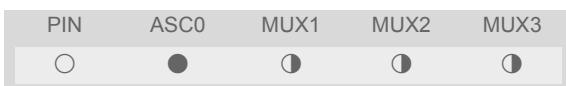
The AT Commands described in this chapter allow the external application to determine various settings related to the TC35i's serial interface.

### 4.1 AT\Q Flowcontrol

#### Syntax

```
Exec Command
AT\Q[<n>]

Response(s)
OK
```



```
Reference(s)
V.25ter
```

#### Parameter Description

<n> <sup>(num)(&amp;W)(&amp;V)</sup>	
[0] <sup>(&amp;F)</sup>	disable flow control
1	XON/XOFF software flow control
2	only CTS by DCE
3	RTS/CTS hardware flow control Recommended for the following procedures: incoming or outgoing data calls, fax calls, MUX mode. Often, the initialization routine of Fax programs includes enabling RTS/CTS handshake, eliminating the need to issue <a href="#">AT\Q3</a> once again.

#### Notes

- When using XON/XOFF flow control ([AT\Q1](#)) in online mode, **+++** should not be used while the data transmission is paused with XOFF. Before entering the command mode with **+++** the paused transmission should be resumed using the XON character.
- For compatibility reasons, the [AT\Q](#) command can be used in Multiplex mode, though the settings will not take effect. However, be aware that whenever you use the [AT\Q](#) write command in Multiplex mode and then save the current configuration to the user profile with [AT&W](#), the changed [AT\Q](#) setting will become active after restart.
- Flow control can also be set using [AT+IFC](#).

## 4.2 AT&C Set circuit Data Carrier Detect (DCD) function mode

### Syntax

```
Exec Command  
AT&C[<value>]  
  
Response(s)  
OK
```

PIN	ASC0	MUX1	MUX2	MUX3
<input type="radio"/>	<input checked="" type="radio"/>	<input checked="" type="radio"/>	<input checked="" type="radio"/>	<input checked="" type="radio"/>

```
Reference(s)  
V.25ter
```

### Command Description

This parameter determines how the state of circuit 109(DCD) relates to the detection of received line signal from the distant end.

### Parameter Description

<value> <sup>(num)(&amp;W)(&amp;V)</sup>	
[0]	DCD line is always ON
1 <sup>(&amp;F)</sup>	DCD line is ON in the presence of data carrier only

## 4.3 AT&D Set circuit Data Terminal Ready (DTR) function mode

### Syntax

```
Exec Command
AT&D[<value>]

Response(s)
OK
```

PIN	ASC0	MUX1	MUX2	MUX3
<input type="radio"/>	<input checked="" type="radio"/>	<input checked="" type="radio"/>	<input checked="" type="radio"/>	<input checked="" type="radio"/>

```
Reference(s)
V.25ter
```

### Command Description

This parameter determines how the TA responds when circuit 108/2 (DTR) is changed from ON to OFF during data mode.

### Parameter Description

<value> <sup>(num)(&amp;W)(&amp;V)</sup>	Description
[0]	TA ignores status of DTR.
1	ON->OFF on DTR: Change to command mode while retaining the connected call.
2 <sup>(&amp;F)</sup>	ON->OFF on DTR: Disconnect data call, change to command mode. During state DTR = OFF is auto-answer off.

## 4.4 AT%D Automatic Dial on DTR Line Activation

### Syntax

Test Command

```
AT%D=?
```

Response(s)

```
%D: (list of supported <mode>s), (list of supported <dialType>s)  
OK
```

Read Command

```
AT%D?
```

Response(s)

```
%D: <mode>, <dialType>  
OK
```

Exec Command

```
AT%D[<mode>[, <dialType>]]
```

Response(s)

```
OK  
+CME ERROR: invalid characters in text string  
Invalid parameter.  
+CME ERROR: operation not supported  
No physical DTR signal line is supported for the serial channel or no access to the CSD transmission unit is supported for the serial channel but a data call is requested (i.e. no ";" is appended, see below). However, data calls are applicable on serial channel 0 only.  
+CME ERROR: operation temporary not allowed  
Command is not supported during multiplex mode (AT+CMUX).
```

PIN	ASC0	MUX1	MUX2	MUX3
●	●	◐	◐	◐

### Command Description

Enable and disable automatic dialling on DTR line activation.

A more generic way to control the TC35i via its DTR line is available with [AT^SCFG](#), refer to parameter [<AutoExecATC>](#).

If automatic dialling is enabled with [AT%D](#) and the DTR line switches from OFF to ON state, the ME attempts to set up an outgoing call to the number stored at the first index of the "ME" phone book, or using telephone number "112" in case of an emergency call.

If enabled, DTR activation triggers a dial command ([ATD](#)) as though it were entered by a TE. Therefore if in this situation characters are entered on the same serial channel the ongoing dial command will be terminated (user break).

When a call setup starts all other active or held calls are dismissed.

Repeated DTR activation events are ignored while call setup is in progress or during a call established by DTR activation. Also all DTR activation events during multiplex mode are discarded.

To enable auto dialling for data and voice calls after ME's power on it is necessary to disable PIN authorization with the command `AT+CLCK="SC",0,<password>`. To prevent misuse of this unprotected SIM card it is recommended to limit its network facilities. For details refer to the "FD" parameter of `AT+CLCK`.

If dialling starts on DTR line activation, possible responses are as though the dial command were entered by a TE, for instance:

- OK  
If successfully connected and voice call
- CONNECT<text>  
If successfully connected and non-voice call. <text> is sent out if parameter setting is `ATX>0`. TA switches to data state.
- +CME ERROR: SIM not inserted  
SIM card is needed to set up data and voice calls.
- +CME ERROR: SIM PIN required  
PIN is required to set up data and voice calls.
- +CME ERROR: not found  
Phone book entry is required for data and voice calls, but no telephone number is provided.
- NO DIALTONE  
If there is no dialtone and parameter setting `ATX2` or `ATX4`.
- BUSY  
If busy and parameter setting `ATX3` or `ATX4`.
- NO CARRIER  
If a connection cannot be set up or call is finished by other party.

### Parameter Description

`<mode>`<sup>(num)(&W)</sup>

Auto dial state on DTR activation (OFF-ON transition).  
Additional functionality is available with `AT^SCFG`, e.g. sending a short message (SMS) on DTR activation can be done with parameter `<AutoExecATC>` set to "`AT+CMSS=1`".

<code>[0]</code> <sup>(&amp;F)</sup>	Disable functionality.
1	Enable dialling of the telephone number located at index "1" in the "ME" phone book. If <code>&lt;dialType&gt;</code> is "!" an emergency call is set up. Refer to <code>AT+CPBS</code> and <code>AT+CPBW</code> .

`<dialType>`<sup>(str)(&W)</sup>

Determine type of performed dial.

<code>[“”]</code> <sup>(&amp;F)</sup>	If omitted performed dial command leads to a data call.
“,“	Performed dial command leads to a voice call.
“!”	Dial command leads to an emergency call, i.e. ATD "112"; is performed. No SIM card needs to be inserted in this case. <b>CAUTION!</b> <code>AT%D1!</code> setting especially in conjunction with <code>AT&amp;W</code> can easily lead to erroneous emergency call setups.

### Notes

- To suppress arbitrary call releases on DTR deactivation setting of `AT%D0` is strongly recommended.
- If several AT commands are entered on the same line `AT%D` needs to be the last one.

- Command settings are storable via [AT&W](#).
- Exec command is not supported during multiplex mode ([AT+CMUX](#)).

### Example

Setup the first entry in the ME phone book and enable automatic dial on DTR line activation. For details regarding phone book handling refer to [AT+CPBS](#) and [AT+CPBW](#).

AT+CPBS="ME"	Select ME phone book
OK	
AT+CPBW=1,"+498972255000",145,"Customer Support"	Store number of Siemens AG Wireless Modules Customer Support Hotline to tell that everything works as expected.
OK	
AT%D1;	Enable automatic dial.
OK	
AT&W	Store setting in the user profile.
OK	

If a DTR line activation has occurred:

OK	ATD command entry confirmation.
NO CARRIER	Called party hang up.

## 4.5 AT&S Set circuit Data Set Ready (DSR) function mode

### Syntax

```
Exec Command
AT&S[<value>]

Response(s)
OK
```

PIN	ASC0	MUX1	MUX2	MUX3
<input type="radio"/>	<input checked="" type="radio"/>	<input checked="" type="radio"/>	<input checked="" type="radio"/>	<input checked="" type="radio"/>

```
Reference(s)
V.25ter
```

### Command Description

This parameter determines how the TA sets circuit 107 (DSR) depending on the communication state of the TA interfacing TE.

### Parameter Description

<value> <sup>(num)(&amp;W)(&amp;V)</sup>	
[0] <sup>(&amp;F)</sup>	DSR line is always ON
1	TA in command mode: DSR is OFF. TA in data mode: DSR is ON.



## 4.6 ATE Enable command echo

### Syntax

```
Exec Command  
ATE[<value>]  
  
Response(s)  
OK
```

PIN	ASC0	MUX1	MUX2	MUX3
<input type="radio"/>	<input checked="" type="radio"/>	<input checked="" type="radio"/>	<input checked="" type="radio"/>	<input checked="" type="radio"/>

```
Reference(s)  
V.25ter
```

### Command Description

This setting determines whether or not the TA echoes characters received from TE during command state.

### Parameter Description

<value><sup>(num)(&W)(&V)</sup>

[0]	Echo mode off
1 <sup>(&amp;F)</sup>	Echo mode on

### Note

- In case of using the command without parameter, <value> is set to 0.

## 4.7 AT+ICF Serial Interface Character Framing

The command `AT+ICF` can be used to set or query the character framing.

### Syntax

Test Command

`AT+ICF=?`

Response(s)

`+ICF: (list of supported <format>s), (list of supported <parity>s)`  
OK

Read Command

`AT+ICF?`

Response(s)

`+ICF: <format>[, <parity>]`  
OK

Write Command

`AT+ICF=[<format>][, <parity>]`

Response(s)

OK  
ERROR

PIN	ASC0	MUX1	MUX2	MUX3
<input type="radio"/>	<input checked="" type="radio"/>	<input type="radio"/>	<input type="radio"/>	<input type="radio"/>

Reference(s)

V.25ter

### Command Description

The test command returns the values of the supported character framings.

The read command returns the currently selected character framing.

The write command determines the serial interface character framing format and parity used for receiving and transmitting.

### Parameter Description

`<format>(num)&(W)&(V)`

Specifies the character format used for receiving and transmitting.

1                                8 data 0 parity 2 stop

2	8 data 1 parity 1 stop
[3]	8 data 0 parity 1 stop
5	7 data 1 parity 1 stop

`<parity>(num)(&W)(&V)`

Specifies the method of calculating the parity bit, if a parity bit is supported by `<format>`.  
If `<format>` does not support parity, this parameter has to be omitted.

0	odd
1	even

### Notes

- Following settings are supported:
  - 7 bits, even parity, 1 stop bit (`AT+ICF=5,1`)
  - 7 bits, odd parity, 1 stop bit (`AT+ICF=5,0`)
  - 8 bits, even parity, 1 stop bit (`AT+ICF=2,1`)
  - 8 bits, no parity, 1 stop bit (`AT+ICF=3`)
  - 8 bits, odd parity, 1 stop bit (`AT+ICF=2,0`)
  - 8 bits, no parity, 2 stop bits (`AT+ICF=1`)
- If 7E1 and 7O1 mode are set with `AT+ICF` the parity bit will, by default, not be transmitted over the air. If the remote party requires the parity bit to be transmitted, additional settings must be made via `AT^STPB`.
- When using a bit rate of 300 bps there must be a delay of 500ms before entering the next command. At bit rates of 1200 bps the delay must be 300ms. For higher bit rates use of the default delay is sufficient.
- TC35i's autobaud feature detects the bit rate currently used by the TE. However, this detection suffers some limitations described in chapter 4.10.1. If autobauding is enabled, the `AT+ICF` read command does not show the current character framing, but the character framing that will be used when autobauding is disabled.
- For compatibility reasons, the command can be used in Multiplex mode, though the settings will not take effect. Please note that changes made on multiplex channel 1 will be saved with `AT&W` and will become active when restarting the ME after `AT^SMSO`.
- To start the multiplexer it is necessary to set the character framing to 8 bits, no parity and 1 stop bit.
- If a `<format>` is selected without parity (e.g. `<format>=3`) and you try to activate a format with parity (e.g. `<format>=2`), you need to explicitly set the parameter `<parity>` (e.g. `AT+ICF=2,1`). Otherwise you will get '+CME ERROR: invalid index'. This is because for `<format>=3`, the parameter `<parity>` is set to the internal value 'no parity' which is not supported by `<format>=2`. (Remember that if an optional parameter is omitted for which no default is stated in this specification, the value of the parameter remains unchanged).

## 4.8 AT+IFC Set Flow Control separately for data directions

The command `AT+IFC` can be used to set or query the data flow control separately for each data direction.

### Syntax

Test Command

`AT+IFC=?`

Response(s)

`+IFC: (list of supported <TEflowcontrol>s), (list of supported <TAflowcontrol>s)`  
OK

Read Command

`AT+IFC?`

Response(s)

`+IFC: <TEflowcontrol>, <TAflowcontrol>`  
OK

Write Command

`AT+IFC=<TEflowcontrol>, <TAflowcontrol>`

Response(s)

OK  
ERROR

PIN	ASC0	MUX1	MUX2	MUX3
<input type="radio"/>	<input checked="" type="radio"/>	<input type="radio"/>	<input type="radio"/>	<input type="radio"/>

Reference(s)

V.25ter

### Command Description

The test command returns the values of the supported methods of flow control.

The read command returns the currently selected methods of flow control.

The write command determines the data flow control on the serial interface.

### Parameter Description

`<TEflowcontrol>(num)(&W)`

Specifies the method used by the TE when receiving data from the TA.

[0] none

1	XON/XOFF, terminate flow control in the Cellular Engine
2	RTS line
3	XON/XOFF, evaluate flow control in the Cellular Engine and pass it through (over the air) to the opposite TE

<TAflowcontrol>(num)(&W)

Specifies the method used by the TA when receiving data from the TE.

[0]	none
1	XON/XOFF
2	CTS line

### Notes

- Flow control settings made with [AT\Q](#) are valid in both data directions.
- When using XON/XOFF flow control ( [AT+IFC =1,x](#) or [AT+IFC =3,x](#)) in data mode, [+++](#) should not be used while the data transmission is paused with XOFF. Before entering the command mode with [+++](#) the paused transmission should be resumed using the XON character.
- For compatibility reasons, the [AT+IFC](#) command can be used in Multiplex mode, though the settings will not take effect. However, be aware that whenever you use the [AT+IFC](#) write command in Multiplex mode and then save the current configuration to the user profile with [AT&W](#), the changed [AT+IFC](#) setting will become active after restart.

## 4.9 AT+ILRR Set TE-TA local rate reporting

The command [AT+ILRR](#) controls whether or not the intermediate result code "+ILRR" is transmitted from the DCE to the DTE.

### Syntax

Test Command

```
AT+ILRR=?
```

Response(s)

```
+ILRR: (list of supported <value>s)  
OK
```

Read Command

```
AT+ILRR?
```

Response(s)

```
+ILRR: <value>  
OK
```

Write Command

```
AT+ILRR=<value>
```

Response(s)

```
OK  
ERROR  
+CME ERROR
```

PIN	ASC0	MUX1	MUX2	MUX3
<input checked="" type="radio"/>	<input checked="" type="radio"/>	<input checked="" type="radio"/>	<input type="radio"/>	<input type="radio"/>

Reference(s)

```
V.25ter
```

### Intermediate Result Code

```
+ILRR: <rate>
```

Indicates port rate setting on connection.

### Command Description

The write command determines whether or not an intermediate result code of local rate is reported at connection setup. The rate is reported before the final result code of the connection is transmitted to the TE.

**Parameter Description**

<value><sup>(num)(&W)(&V)</sup>

0(&F)	Disables reporting of local port rate
1	Enables reporting of local port rate

<rate><sup>(num)</sup>

port rate setting on connection (bps)

0	Autobauding (see chapter <a href="#">4.10.1</a> )
300	
600	
1200	
2400	
4800	
9600	
14400	
19200	
28800	
38400	
57600	
115200	
230400	(cannot be used in terminal version)

## 4.10 AT+IPR Set fixed local rate

The command [AT+IPR](#) can be used to set or query the DTE-DCE interface bit rate.

### Syntax

Test Command

```
AT+IPR=?
```

Response(s)

```
+IPR: (list of supported auto-detectable <rate>s) , (list of supported fixed-only <rate>s)  
OK
```

Read Command

```
AT+IPR?
```

Response(s)

```
+IPR: <rate>  
OK
```

Write Command

```
AT+IPR=<rate>
```

Response(s)

```
OK  
ERROR  
+CME ERROR
```

PIN	ASC0	MUX1	MUX2	MUX3
<input type="radio"/>	<input checked="" type="radio"/>	<input type="radio"/>	<input type="radio"/>	<input type="radio"/>

Reference(s)

V.25ter

### Command Description

The test command returns the values of the supported automatically detectable bit rates and the values of the supported fixed bit rates.

The read command returns the current bit rate of the interface.

The write command specifies the bit rate to be used for the interface. When you set a fixed-rate, make sure that both DTE (TE) and DCE (TA) are configured to the same rate. When you select autobauding, the DCE will automatically recognize the bit rate currently used by the DTE.

The setting is stored in the non-volatile memory and will be used whenever the engine is powered up again. However, in case of autobaud mode ([AT+IPR=0](#)) the detected DCE bit rate will not be saved and, therefore, needs to be resynchronized after restarting the GSM engine (see chapter [4.10.1](#)).



While multiplex mode write command is not supported.

### Parameter Description

<code>&lt;rate&gt;</code> <sup>(num)&amp;V</sup>	
bit rate per second (bps)	
0 <sup>(D)</sup>	Activate autobauding (see chapter 4.10.1).
300	
600	
1200	
2400	
4800	
9600	
14400	
19200	
28800	
38400	
57600	
115200	
230400	(not available with terminal version of TC35i)

### Notes

- The factory default is autobauding enabled (`AT+IPR=0`). It will not be restored with `AT&F`.
- The current setting of `AT+IPR` will be preserved when you download new firmware (i.e. a firmware update does not restore the factory setting) or in the event of power failure.
- Generally, `AT+IPR` should be used as a standalone command. If combinations with other commands on the same command line cannot be avoided, the following constraints shall be considered:
  - Avoid combinations with the AT commands listed in chapter 1.4.2.
  - Take into account, that a delay of 100ms is required between the response to the last command (e.g. OK) and the next command on the same line.
  - When you enter `AT+IPR=0`, autobauding will be activated after the response to the last command is received.
  - When local echo is active (`ATE1`) and you enter `AT+IPR=x` with other commands you may encounter the following problem: if switching to the new bit rate takes effect while a response is being transmitted, the last bytes may be sent with the new bit rate and thus, not properly transmitted. The following commands will be correctly sent at the new bit rate.
- In order to account for greater amounts of data it is recommended to choose a minimum bit rate of 2400 bps. If the ME is operated in Multiplex mode we suggest a minimum bit rate of 4800bps.
- A selected bit rate takes effect after the write commands returns OK (except for Multiplex mode).
- In Multiplex mode, the write command `AT+IPR=<rate>` will not change bit rate currently used, but the new bit rate will be stored and becomes active, when the module is restarted.
- `AT+IPR=230400` cannot be used with the terminal version. Autobauding with 230400 bps is available but not recommended.

## 4.10.1 Autobauding

To take advantage of autobaud mode specific attention must be paid to the following requirements:

- Synchronization between DTE and DCE  
Ensure that DTE and DCE are correctly synchronized and the bit rate used by the DTE is detected by the DCE (ME). To allow the bit rate to be synchronized simply use an "AT" or "at" string. This is necessary
  - after you have activated autobauding
  - when you start up the GSM engine while autobauding is enabled. It is recommended to wait 3 to 5 seconds before sending the first AT character. Otherwise undefined characters might be returned.

If you want to use autobauding and autoanswer at the same time, you can easily enable the DTE-DCE synchronization, when you activate autobauding first and then configure the autoanswer mode (`ATS0 ≠ 0`).

- Restrictions on autobauding operation
  - The serial interface shall be used with 8 data bits, no parity and 1 stop bit (factory setting), e.g. 2 stop bits are not supported for autobaud mode.
  - `A/` cannot be used.
  - Only the strings "AT" or "at" can be detected (neither "At" nor "aT").
  - URCs that may be issued before the ME detects a new bit rate (by receiving the first AT character) will be sent at the previously detected bit rate or, after ME restart, at 57600 bps.
  - It is not recommended to switch to autobauding from a bit rate that cannot be detected by the the autobaud mechanism (e.g. 300 bps). Responses to `AT+IPR=0` and any commands on the same line might be corrupted.
  - If entering several AT commands on the same line, consider the requirements described above.
  - When autobauding is switched on:
    - + only data length, parity and baud rate are automatically detected
    - + if using 1 stop bit, `AT+ICF=1` should not be used, because it uses 2 stop bits
    - + if using 2 stop bits, no combination of `AT+ICF` should be used, which uses 1 stop bit
  - Terminal version of TC35i shall not use autobauding with baudrates above 115200bps.
- Autobauding and bit rate after restart  
The most recently detected bit rate is stored when the ME is powered down (with `AT^SMSO`). Therefore, each time the module is restarted the correct bit rate must be found as described above. Unless the bit rate is determined, the following constraints apply:
  - An incoming CSD call cannot be accepted. This must be taken into account when autobauding and autoanswer mode (`ATS0 ≠ 0`) are enabled at the same time, especially if SIM PIN 1 authentication is done automatically and the setting `ATS0 ≠ 0` is stored to the user profile with `AT&W`.
  - Until the bit rate is found, URCs generated after restart will be output at 57600 bps. This applies only to user defined URCs, such as "+CREG", "CCWA", "^SCKS" etc. The URCs "^SYSSTART", "^SYSSTART ALARM MODE" and "^SYSSTART CHARGE-ONLY MODE" will not be indicated when autobauding is enabled.

Note: To avoid any problems caused by undetermined bit rates in the direction from DCE to DTE we strongly recommend to configure a fixed bit rate rather than autobauding.

- Autobauding and multiplex mode  
While TC35i is using autobauding its serial interface can't be switched to multiplex mode via `AT+CMUX`. If multiplex mode is already enabled neither autobauding nor any fixed baudrate can be selected with `AT+IPR`.

## 4.11 AT+CMUX Enter multiplex mode

### Syntax

Test Command

```
AT+CMUX=?
```

Response(s)

```
+CMUX: (list of supported<mode>s)  
OK
```

Read Command

```
AT+CMUX?
```

Response(s)

```
+CMUX: <mode>  
OK  
ERROR  
+CME ERROR: <err>
```

Write Command

```
AT+CMUX=<mode>
```

Response(s)

```
OK  
ERROR  
+CME ERROR: <err>
```

PIN	ASC0	MUX1	MUX2	MUX3
<input type="radio"/>	<input checked="" type="radio"/>	<input type="radio"/>	<input type="radio"/>	<input type="radio"/>

Reference(s)

GSM 07.07, GSM 07.10

### Command Description

Multiplex mode according to the ETSI TS 101 669 and GSM 07.10 enables one physical serial asynchronous interface to be partitioned into three virtual channels. This allows you to take advantage of up to 3 simultaneous sessions running on the serial interface. For example, you can send or receive data or make a call on the first channel, while the other two channels are free to control the module with AT commands.

The TC35i module incorporates an internal multiplexer and thus integrates all the functions needed to implement full-featured multiplex solutions. For the application on top, customers have the flexibility to create their own multiplex programs conforming to the multiplexer protocol. To help system integrators save the time and expense of designing multiplexer applications, SIEMENS AG offers WinMUX2k, a ready-to-use multiplex driver for Windows 2000 and Windows XP. Another approach is to develop customized solutions based on the sources of the WinMux2k driver.

Refer to [4] which provides a detailed description of the multiplex architecture and step-by-step instructions of how to install and configure the multiplex mode. The WinMUX2k driver and its source files can be supplied on

request. Please contact your local distributor to obtain the latest installation software and user's guide.

### Parameter Description

<mode><sup>(num)</sup>

Multiplexer transparency mechanism

0 Basic option

<subset><sup>(num)</sup>

Subparameters defined in GSM07.07 are adjusted for control and logical channels as follows

0 UIH frames used only (control channel)

### Notes

- The write command is used to enter the multiplex mode. The setup of the logical channels is initiated by the TE, i.e. the TE acts as initiator. This means that the TE shall ensure that logical channels are established before any further actions on the channels can be started.
- There is a timeout of five seconds, if the multiplexer protocol is enabled and no multiplexer control channel is established. The GSM engine returns to AT command mode.
- The parameter maximum frame size (N1) of AT+CMUX in GSM07.10 is fixed to 97 and cannot be changed. All other parameters are not available.
- Multiplexer mode requires character framing to be set to 8 bits, no parity and 1 stop bit. The setting can be made using (AT+ICF=3).

## 4.11.1 Restrictions on Multiplex mode

In multiplex mode, CSD and fax calls can only be set up on logical channel 1. Due to this restriction, AT commands have a different behavior on channels 2+3 compared to channel 1. Several commands are not available, others return different responses. This chapter summarizes the concerned commands. For general rules and restrictions to be considered in Multiplex mode please refer to [4].

**Table 4.1:** Availability of AT Commands on Virtual Channels

Command	Behavior on channel 1	Behavior on channel 2+3
+++	not usable, but see note <sup>2)</sup>	not usable, but see note <sup>2)</sup>
AT+CBST	as described	not usable
AT+CRLP	as described	not usable
AT+F... (Fax commands)	as described	not usable
AT&S	as described	not usable
ATA	as described	no Data Calls
ATD	as described	no Data Calls
ATDI	as described	not usable
ATL	as described	not usable
ATM	as described	not usable
ATO	as described	not usable

Command	Behavior on channel 1	Behavior on channel 2+3
<a href="#">ATS6</a> <sup>1)</sup>	as described	not usable
<a href="#">ATS7</a> <sup>1)</sup>	as described	not usable
<a href="#">ATS8</a> <sup>1)</sup>	as described	not usable
<a href="#">ATS10</a> <sup>1)</sup>	as described	not usable
<a href="#">ATS18</a> <sup>1)</sup>	as described	not usable
<a href="#">AT\V</a>	as described	not usable

- 1) Siemens GSM engines support the registers S0 - S29. You can change S0,S3,S4,S5,S6,S7,S8,S10 and S18 using the related ATSn commands (see starting from [ATS0](#)). The other registers are read-only and for internal use only!
- 2) The applicability of the +++ escape sequence depends on the customer's external application based on the Multiplexer Protocol. Recommendations for implementing an appropriate modem status command (MSC) are provided in [\[4\]](#), Chapter "Escape Sequence".

**Table 4.2:** Summary of AT commands with Different Behavior in Multiplex Mode

Command	Description
<a href="#">AT\Q</a>	It is recommended to use hardware flow control ( <a href="#">AT\Q3</a> ). XON/XOFF flow control ( <a href="#">AT\Q1</a> ) is not supported in Multiplex mode. See note regarding <a href="#">AT\QN</a> settings stored with <a href="#">AT&amp;W</a> if Multiplex mode is active.
<a href="#">AT&amp;V</a>	Different default configurations on channels 1, 2 and 3.
<a href="#">AT&amp;W</a>	Different user profiles can be stored on each channel.
<a href="#">AT+IPR</a>	Before you start Multiplex mode, it is recommended to set the ME to 57600 bps (minimum should be 4800 bps). In Multiplex mode, the write command <a href="#">AT+IPR=&lt;rate&gt;</a> cannot be used.
<a href="#">AT+IPR=0</a>	Multiplex mode cannot be activated while autobauding is enabled.
<a href="#">AT+CALA</a>	On each channel an individual <a href="#">&lt;text&gt;</a> message can be stored. but only one time setting applies to all channels. This means an alarm <a href="#">&lt;time&gt;</a> set on one of the channels overwrites the time setting on all remaining channels. Therefore, the total number of alarm events returned by the read command <a href="#">AT+CALA?</a> will always be <a href="#">&lt;n&gt;=0</a> , no matter whether individual text messages are stored. When the alarm is timed out and executed the ME sends the URC only on the channel where the most recent alarm setting was made. The alarm time will be reset to "00/01/01,00:00:00" on all channels.
<a href="#">AT+CMEE</a>	Presentation mode can be separately configured for each channel.
<a href="#">AT+CNMA</a>	If Multiplex mode is activated the +CNMI parameter will be set to zero on all channels, if one channel fails to acknowledge an incoming message within the required time.
<a href="#">AT+CNMI</a>	Phase 2+ parameters can only be used on one channel. The parameter for <a href="#">&lt;mt&gt;</a> and <a href="#">&lt;ds&gt;</a> on the other channels have to be set to zero. If either a SM or a Status Report is not acknowledged, all +CNMI parameter will be set to zero on all channels.
<a href="#">AT+CFUN</a>	If the ME is in Multiplexer mode, it is not recommended to activate SLEEP mode with <a href="#">AT+CFUN=&lt;fun&gt;</a> . The best approach to properly control SLEEP mode in this case is to issue the PSC messages described in <a href="#">[4]</a> , chapter "Power saving control (PSC)".

---

Command	Description
AT+CPMS	Parameter <mem3> will be the same on all instances, but the settings of <mem1> and <mem2> may vary on each instance.
AT^SSDA	If one instance is set to <da>=1 and <mt>=1, then all other instances must be configured for <mt>=0.

## 4.12 AT^STPB Transmit Parity Bit (for 7E1 and 7O1 only)

This command is intended only for use with 7E1 and 7O1. In addition to the 7E1 or 7O1 settings made with [AT+ICF](#) the command [AT^STPB](#) specifies whether or not to transmit the parity bit over the air.

### Syntax

Test Command

```
AT^STPB=?
```

Response(s)

```
^STPB: (list of supported <n>s)  
OK
```

Read Command

```
AT^STPB?
```

Response(s)

```
^STPB: <n>  
OK
```

Write Command

```
AT^STPB=<n>
```

Response(s)

```
OK  
ERROR  
+CME ERROR: unknown
```

PIN	ASC0	MUX1	MUX2	MUX3
<input type="radio"/>	<input checked="" type="radio"/>	<input checked="" type="radio"/>	<input type="radio"/>	<input type="radio"/>

Reference(s)

SIEMENS

### Command Description

The test command returns the supported values of the parameter [<n>](#).

The read command returns the current value of the parameter [<n>](#).

The write command can be used to control the handling of the parity bit. If command fails, "+CME ERROR: unknown" will be returned.

**Parameter Description**

<n> (num)(&W)	
0 (&F)	The parity bit will not be transmitted over the air and will be replaced with 0. This mode is the default setting if 7E1 or 7O1 is activated with <a href="#">AT+ICF</a> .
1	In a data connection 8 bits will be transmitted, including the parity bit, i.e. the parity bit will be properly transmitted over the air. The setting shall be used if problems are encountered when TC35i is running in the default 7E1 or 7O1 mode enabled with <a href="#">AT+ICF</a> . In this case, <a href="#">AT^STPB=1</a> shall be set in addition to the 7E1 or 7O1 settings selected with <a href="#">AT+ICF</a> .



## 5. Security Commands

The AT Commands described in this chapter allow the external application to determine various security related settings.

### 5.1 AT+CPIN Enter PIN

#### Syntax

Test Command

```
AT+CPIN=?
```

Response(s)

```
OK
```

Read Command

```
AT+CPIN?
```

Response(s)

```
+CPIN: <code>
```

```
OK
```

```
ERROR
```

```
+CME ERROR: <err>
```

Write Command

```
AT+CPIN=<pin>[, <new pin>]
```

Response(s)

```
OK
```

```
ERROR
```

```
+CME ERROR: <err>
```

PIN	ASC0	MUX1	MUX2	MUX3
<input type="radio"/>	<input checked="" type="radio"/>	<input checked="" type="radio"/>	<input checked="" type="radio"/>	<input checked="" type="radio"/>

Reference(s)

```
GSM 07.07
```

#### Command Description

The read command returns an alphanumeric string indicating whether or not a password is required.

The write command lets the ME store the entered password. This may be for example the SIM PIN1 to register to the GSM network, or the SIM PUK1 to replace a disabled PIN with a new one, or the PH-SIM PIN if the client has taken precautions for preventing damage in the event of loss or theft etc. See above for the list of passwords.

If no PIN request is pending (for example if PIN authentication has been done and the same PIN is entered again) ME responds +CME ERROR: operation not allowed. No action is required from your part.

### Parameter Description

<pin><sup>(str)</sup>

Password (string type), usually SIM PIN1.

If the requested password was a PUK, such as SIM PUK1 or PH-SIM PUK or PH-FSIM PUK or another password, then <pin> must be followed by <new pin>.

<new pin><sup>(text)</sup>

if the requested code was a PUK: specify a new password or restore the former disabled password. See 5.1.1 for more information about when you may need to enter the PUK.

<code><sup>(text)</sup>

SIM PIN authentication

READY	PIN has already been entered. No further entry needed.
SIM PIN	ME is waiting for SIM PIN1.
SIM PUK	ME is waiting for SIM PUK1 if PIN1 was disabled after three failed attempts to enter PIN1.
SIM PIN2	ME is waiting for PIN2, when the attempt to access PIN2 requiring features was acknowledged with +CME ERROR:17 (e.g. if client attempts to edit the FD phonebook). This is only applicable if the AT+CPIN read command also prompts for SIM PIN2. Normally, the AT+CPIN2 command is intended for SIM PIN2.
SIM PUK2	ME is waiting for PUK2 to unblock a disabled PIN2. Necessary if preceding command was acknowledged with error +CME ERROR:18 and only if the AT+CPIN read command also prompts for SIM PUK2. Normally, the AT+CPIN2 command is intended for SIM PUK2.

Phone security locks set by client or factory

PH-SIM PIN	ME is waiting for phone-to-SIM card password if "PS" lock is active and user inserts other SIM card than the one used for the lock. ("PS" lock is also referred to as phone or antitheft lock).
PH-SIM PUK	ME is waiting for Master Phone Code, if the above "PS" lock password was incorrectly entered three times.
PH-FSIM PIN	ME is waiting for phone-to-very-first-SIM card. Necessary when "PF" lock was set. When powered up the first time, ME locks itself to the first SIM card put into the card holder. As a result, operation of the mobile is restricted to this one SIM card (unless the PH-FSIM PUK is used as described below).
PH-FSIM PUK	ME is waiting for phone-to-very-first-SIM card unblocking password to be given. Necessary when "PF" lock is active and other than first SIM card is inserted.
PH-NET PIN	ME is waiting for network personalisation password
PH-NET PUK	ME is waiting for network personalisation unblocking password
PH-NS PIN	ME is waiting for network subset personalisation password
PH-NS PUK	ME is waiting for network subset unblocking password
PH-SP PIN	ME is waiting for service provider personalisation password

PH-SP PUK	ME is waiting for service provider personalisation unblocking password
PH-C PIN	ME is waiting for corporate personalisation password
PH-C PUK	ME is waiting for corporate personalisation un-blocking password

### Notes

- Caution: After entering a password with [AT+CPIN](#) all other commands that need access to data on the SIM card may be blocked for up to 20 seconds!
- Successful PIN authentication only confirms that the entered PIN was recognized and correct. The output of the result code OK does not necessarily imply that the mobile is registered to the desired network. Typical example: PIN was entered and accepted with OK, but the ME fails to register to the network. This may be due to missing network coverage, denied network access with currently used SIM card, no valid roaming agreement between home network and currently available operators etc. ME offers various options to verify the present status of network registration: For example, the [AT+COPS](#) command indicates the currently used network. With [AT+CREG](#) you can also check the current status and activate an unsolicited result code which appears whenever the status of the network registration changes (e.g. when the ME is powered up, or when the network cell changes).
- Wait 10 seconds after PIN input before using SMS related commands.
- `<pin>` and `<new pin>` can also be entered in quotation marks (e.g. "1234").
- To check the number of remaining attempts to enter the passwords use the [AT^SPIC](#) command.
- See [AT+CPWD](#) and [AT^SPWD](#) for information on passwords.
- See [AT+CLCK](#) and [AT^SLCK](#) for information on lock types.

## 5.1.1 What to do if PIN or password authentication fails?

### PIN1 / PUK1:

After three failures to enter PIN 1, the SIM card is blocked (except for emergency calls). +CME ERROR: 12 will prompt the client to unblock the SIM card by entering the associated PUK (= PIN Unblocking Key / Personal Unblocking Key). After ten failed attempts to enter the PUK, the SIM card will be invalidated and no longer operable. In such a case, the card needs to be replaced. PIN1 consists of 4 to 8 digits, PUK1 is an 8-digit code only. To unblock a disabled PIN1 you have two options:

- You can enter [AT+CPIN](#)=PUK1,new PIN1.
- You can use the [ATD](#) command followed by the GSM code `**05*PUK*newPIN*newPIN#;`.

### PIN2 / PUK2:

PIN2 prevents unauthorized access to the features listed in [AT+CPIN2](#). The handling of PIN2 varies with the provider. PIN2 may either be a specific code supplied along with an associated PUK2, or a default code such as 0000. In either case, the client is advised to replace it with an individual code. Incorrect input of PUK2 will permanently block the additional features subject to PIN2 authentication, but usually has no effect on PIN1. PIN2 consists of 4 digits, PUK2 is an 8-digit code only.

To unblock a disabled PIN2 you have two options:

- You can enter [AT+CPIN2](#)=PUK2,new PIN2.
- You can use the [ATD](#) command followed by the GSM code `**052*PUK2*newPIN2*newPIN2#;`.

### Phone lock:

If the mobile was locked to a specific SIM card (= "PS" lock or phone lock), the PUK that came with the SIM card cannot be used to remove the lock. After three failed attempts to enter the correct password, ME returns +CPIN: PH-SIM PUK (= response to read command [AT+CPIN?](#)), i.e. it is now waiting for the Master Phone Code. This

is an 8-digit device code associated to the IMEI number of the mobile which can only be obtained from the manufacturer or provider. When needed, contact Siemens AG and request the Master Phone Code of the specific module.

There are two ways to enter the Master Phone code:

- You can enter `AT+CPIN=Master Phone Code,new password`.
- You can use the `ATD` command followed by the GSM code `*#0003*Master Phone Code#;`.

Usually, the Master Phone Code will be supplied by mail or e-mail. If the received number is enclosed in the `*#` codes typically used for the `ATD` option, it is important to crop the preceding `*#0003*` characters and the appended `#`.

Example: You may be given the string `*#0003*12345678#`. When prompted for the PH-SIM PUK simply enter 12345678.

If incorrectly input, the Master Phone Code is governed by a specific timing algorithm:  $(n-1) * 256$  seconds (see table below). The timing should be considered by system integrators when designing an individual MMI.

Number of failed attempts	Time to wait before next input is allowed
1st failed attempt	No time to wait
2nd failed attempt	4 seconds
3rd failed attempt	3 * 256 seconds
4th failed attempt	4 * 256 seconds
5th failed attempt	5 * 256 seconds
6th failed attempt and so forth	6 * 256 seconds and so forth

#### SIM locks:

These are factory set locks, such as "PF", "PN", "PU", "PP", "PC". An 8-digit unlocking code is required to operate the mobile with a different SIM card, or to lift the lock. The code can only be obtained from the provider.

Failure to enter the password is subject to the same timing algorithm as the Master Phone Code (see Table above).

#### Call barring:

Supported modes are "AO", "OI", "OX", "AI", "IR", "AB", "AG", "AC". If the call barring password is entered incorrectly three times, the client will need to contact the service provider to obtain a new one.

#### Summary of related chapters:

Related +CME errors are listed in [2.12.1](#). For further instructions and examples see [AT+CLCK](#), [AT^SLCK](#), [AT+CPWD](#) and [AT^SPWD](#). A complete list of `*#` codes is provided in [List of \\*# Codes](#).

## 5.2 AT+CPIN2 Enter PIN2

### Syntax

Test Command

```
AT+CPIN2=?
```

Response(s)

```
OK
```

Read Command

```
AT+CPIN2?
```

Response(s)

```
+CPIN2: <code>  
OK  
ERROR  
+CME ERROR: <err>
```

Write Command

```
AT+CPIN2=<pin>[, <new pin>]
```

Response(s)

```
OK  
ERROR  
+CME ERROR: <err>
```

PIN	ASC0	MUX1	MUX2	MUX3
●	●	●	●	●

Reference(s)

```
GSM 07.07
```

### Command Description

The read command returns an alphanumeric string indicating whether some password is required or not.

The write command lets the ME store the entered password. This may be for example the SIM PIN2 to benefit from the features listed below, or the SIM PUK2 to replace a disabled PIN2 with a new one. Note that PIN2 can only be entered if PIN1 authentication was done.

If the ME is requesting SIM PUK2, use <pin> to enter the PUK2, followed by <new pin> to specify your new PIN2.

### Parameter Description

<pin><sup>(str)</sup>

Password (string type), usually SIM PIN2 or, if requested, SIM PUK2.

<new pin><sup>(str)</sup>

If the requested code was SIM PUK2: new password (PIN2).

See Chapter 5.1.1 for more information about when you may need to enter the PUK.

<code><sup>(text)</sup>

READY	ME is not pending for any password.
SIM PIN2	ME is waiting for SIM PIN2. This <code> is returned only when PIN2 authentication has not yet been done or has failed (+CME ERROR:17).
SIM PUK2	ME is waiting for SIM PUK2. This <code> is returned only when PIN2 authentication has failed and ME is pending for SIM PUK2 (i.e. +CME ERROR:18).

### Note

- Functions accessible only after PIN2 authentication:
  - [AT+CACM](#): Accumulated call meter (ACM) reset or query
  - [AT+CAMM](#): Accumulated call meter maximum (ACMmax) set or query
  - [AT+CLCK](#): Facility lock to "FD" (Fixed dialing phonebook)
  - [AT^SLCK](#): Facility lock to "FD" (Fixed dialing phonebook)
  - [AT+CPWD](#): Change "P2"password
  - [AT^SPWD](#): Change "P2"password
  - [AT+CPUC](#): Price per unit and currency table
  - [AT+CPIN2](#): Enter SIM PIN2 or SIM PUK2 if requested.

For example, SIM PIN2 will be needed when you attempt to edit the "FD" phonebook and ME returns +CME Error 17 or +CPIN: SIM PIN2.

Once the required <pin> has been entered correctly, PIN2 authentication code changes to READY. After 300s, a repetition of the authentication process is required (PIN2 authentication code changes from READY to SIM PIN2).

### Examples

#### EXAMPLE 1

To change PIN2:

```
AT+CPWD="P2","0000","8888" (where "0000" = old PIN2 and "8888" = new PIN2)
OK
```

#### EXAMPLE 2

To unblock a disabled PIN2:

```
AT+CPIN2?
+CPIN2: SIM PUK2
OK
AT+CPIN2=12345678,8888
```

PIN2 has been disabled, PUK2 must be entered to define a new PIN2 where "12345678" is the PUK2, and "8888" the new PIN2.

EXAMPLE 3

To write to "FD" phonebook:

```
AT+CPBS="FD"  
OK  
AT+CPBW=2,"+493012345678",145,"Charly"  
+CME ERROR 17 access denied due to missing PIN2 authentication  
AT+CPIN2=8888  
OK  
AT+CPBW=2,"+493012345678",145,"Charly"  
OK
```

## 5.3 AT^SPIC Display PIN counter

### Syntax

Test Command

```
AT^SPIC=?
```

Response(s)

```
OK
```

Exec Command

```
AT^SPIC
```

Response(s)

```
^SPIC: <counter>
```

```
OK
```

PIN	ASC0	MUX1	MUX2	MUX3
<input type="radio"/>	<input checked="" type="radio"/>	<input checked="" type="radio"/>	<input checked="" type="radio"/>	<input checked="" type="radio"/>

Reference(s)

```
SIEMENS
```

### Command Description

The execute command returns the number of attempts still available for entering the currently required password, e.g. the PIN, PUK, PH-SIM PUK etc. To check whether or not you need to enter a password use commands [AT+CPIN?](#) and [AT+CPIN2?](#).

If the responses to "[AT+CPIN?](#)" and "[AT+CPIN2?](#)" both read "READY", there is no currently required password, and the referrer of the execute command "AT^SPIC" is explicitly undefined.

### Parameter Description

<counter><sup>(num)</sup>

Number of attempts for the currently required password. This number will be counted down after each failure.

### Notes

- Whenever the required password changes, <counter> changes to reflect that change. Please refer to the examples below.
- Use the read commands "[AT+CPIN?](#)" and "[AT+CPIN2?](#)" to check which password is currently required. If the responses to "[AT+CPIN?](#)" and "[AT+CPIN2?](#)" both read "READY", there is no currently required password, and the referrer of the execute command "AT^SPIC" is explicitly undefined.
- For passwords associated to the phone lock ("PS" lock set by client or factory) or other factory set locks, such as "PF", "PN", "PU", "PP", "PC" the number of attempts is subject to a timing algorithm explained in [AT+CPIN](#). If these passwords are incorrectly entered the counter first returns 3, 2 and 1 remaining attempt(s), but then gives the total number of attempts which amounts to 63 (see example below).



- See also Chapters [AT+CLCK](#), [AT+CPIN](#), [AT+CPIN2](#), [AT+CPWD](#), [AT^SLCK](#) for further information on locks and passwords.

### Examples

#### EXAMPLE 1

The client fails to provide a correct SIM PIN three times. The counter decreases each time. After the counter reaches zero, the SIM PUK is required. After failure to enter a correct SIM PUK, the counter decreases.

```
at+cpin?  
+CPIN: SIM PIN  
OK (currently required password is PIN1)  
at^spic  
^SPIC: 3  
OK (3 attempts left)  
at+cpin=9999  
+CME ERROR: incorrect password  
at^spic  
^SPIC: 2 (2 attempts left)  
OK  
at+cpin=9999  
+CME ERROR: incorrect password  
OK  
at^spic  
^SPIC: 1  
OK  
at+cpin=9999  
+CME ERROR: incorrect password  
at+cpin?  
+CPIN: SIM PUK  
OK (now required password is PUK 1)  
at^spic  
^SPIC: 10  
OK (10 attempts left for PUK 1)  
at+cpin=01234567,1234  
+CME ERROR: incorrect password  
at^spic  
^SPIC: 9  
OK (9 attempts left for PUK 1)
```

EXAMPLE 2

Though a mobile is locked to a specific SIM card (phone lock), the client attempts to operate it with another SIM card. The client correctly enters the SIM PIN of the SIM card currently inserted, but then fails to give the "PS" lock password (PH-SIM PUK):

```
at+cpin=9999
OK
at+cpin?
+CPIN: PH-SIM PIN                ME is waiting for the phone lock password
OK

at^spic
^SPIC: 3
OK

at+cpin=4711
+CME ERROR: PH-SIM PIN required

at+cpin=4712
+CME ERROR: incorrect password

at^spic
^SPIC: 1
OK

at+cpin=4713
+CME ERROR: incorrect password
at^spic
^SPIC: 63
OK

at+cpin=4714
+CME ERROR: incorrect password
at^spic
^SPIC: 63
OK
```

## 5.4 AT+CLCK Facility lock

### Syntax

#### Test Command

```
AT+CLCK=?
```

#### Response(s)

```
+CLCK: list of supported <facility>s  
OK
```

#### Write Command

```
AT+CLCK=<facility>, <mode>[, <password>][, <class>]
```

#### Response(s)

```
if <mode> is not equal 2 and command successful:
```

```
OK
```

```
if <mode>= 2 and command successful:
```

```
+CLCK: <status>, <class>
```

```
[+CLCK: <status>, <class> ]
```

```
[+CLCK: ...]
```

```
OK
```

```
If error is related to ME functionality
```

```
+CME ERROR
```

PIN	ASC0	MUX1	MUX2	MUX3
●	●	●	●	●

#### Reference(s)

```
GSM 07.07, GSM 02.04, GSM 02.88,  
GSM 03.88, GSM 04.88
```

### Command Description

The Test command returns the supported parameters.

Use this command to lock, unlock or interrogate a network or ME <facility>. The command can be aborted when network facilities are being set or interrogated.

### Parameter Description

<facility><sup>(str)</sup>

Phone security locks set by client or factory

Primarily intended for the client to take safety precautions, "SC", "PS" and "FD" can be configured individually. "PS" may also be factory set.

Parameter <class> is not applicable to security locks.

See examples below for further details.

- "SC" SIM (lock SIM cards). SIM requests password upon ME power-up and when this lock command is issued.  
<password>: SIM PIN1.
- "PS" Phone locked to SIM card. ME requests password when other than current SIM card is inserted.  
"PS" lock is frequently referred to as "phone lock", or "device lock". Accordingly, the password may be called "phone code" or "device code". The "PS" password is not associated with the PUK of the SIM card. If incorrectly entered three times, the Master Phone Code is required to lift the lock. This is an 8-digit device code associated to the IMEI number of the mobile which can only be obtained from the manufacturer of the module. Once the Master Phone Code has been accepted, the mobile is operational, and the "PS" lock is no longer active. If needed it must be set once again.  
<password>: User defined password. It is needed before the first use of <facility> "PS" and, therefore, must first be specified with AT+CPWD or AT^SPWD, if it has not been predefined by factory settings. If set by factory (e.g. for a prepaid mobile), the password is supplied by the provider or operator.
- "FD" SIM fixed dialling memory: If the mobile is locked to "FD", only the phone numbers stored to the "FD" memory can be dialled. (Capacity of FD phonebook depending on the SIM card).  
<password>: SIM PIN 2.  
If a lock on the SIM fixed dialling memory is active, the following applies:
- Outgoing voice, data or fax calls can be made only to numbers stored in "FD" phonebook.  
Result code depends on the type of the call:  
for voice calls, indication is "+CME Error 257: Call barred".  
for data and fax calls, indication is "NO CARRIER".
  - Access to defined Supplementary Services such as Call barring, Call waiting, Call forwarding, Call hold and Multiparty is possible only if the exact corresponding public MMI \*# code for the desired service is stored in the fixed dialling number phone book, and used with ATD.  
AT commands for supplementary service control are barred while "FD" lock is active.  
Indication is "+CME Error 257: Call barred".
  - Access to Unstructured Supplementary Services ("USSD") is possible only if the exact desired USSD string is stored in the fixed dialling number phone book, and used with ATD.  
AT commands for USSD are barred while "FD" lock is active.  
Indication is "+CME Error 257: Call barred".
  - SMS can be sent only to phone numbers which are stored in the "fixed dialling numbers" phonebook "FD".  
Indication is "+CMS Error 302: operation not allowed".

Factory defined SIM locks:

Typical examples of factory set SIM locks are prepaid phones or network locks, used to restrict the operation of a mobile to a specific provider or operator. The client should be aware that each of these lock types can only be unlocked if the associated password is available. For example, a mobile can be locked to accept only SIM cards from the respective provider, or even one single SIM card. Once a different SIM card is inserted the ME will prompt the client to enter a specific code. This is not the PUK of the SIM card, but usually an 8-digit code which needs to be requested from the provider.

The locks can only be set by the manufacturer and need to be agreed upon between the parties concerned, e.g. provider, operator, distributor etc. on the one side and the manufacturer on the other side. For details contact your local dealer or Siemens AG.

Parameter `<class>` is not applicable to SIM locks.

`<password>` and instructions for unlocking must be obtained from the network provider.

"PF"	lock Phone to the very First SIM card
"PN"	Network Personalisation
"PU"	Network subset Personalisation
"PP"	Service Provider Personalisation
"PC"	Corporate Personalisation

Supplementary Service Call Barring:

Supplementary Service "Call Barring" allows to specify conditions under which calls will be disallowed by the network.

The availability of the Supplementary Services varies with the network. To benefit from call barring the client will need to subscribe them, though a limited number of call barring types may be included in the basic tariff package.

When you attempt to set a `<facility>` or `<class>` which is not provisioned, not yet subscribed to, or not supported by the module, the setting will not take effect regardless of the response returned. The responses in these cases vary with the network (for example "OK", "+CME ERROR: Operation not allowed", "+CME ERROR: Operation not supported" etc.). To make sure check the extended error response with `AT+CEER` and the lock status with `<mode>=2`.

`<password>`: Network password supplied from the provider or operator. Usually there is one password which applies to all call barring options. For details contact your provider.

"AO"	BAOC (Bar All Outgoing Calls)
"OI"	BOIC (Bar Outgoing International Calls)
"OX"	BOIC-exHC (Bar Outgoing International Calls except to Home Country)
"AI"	BAIC (Bar All Incoming Calls)
"IR"	BIC-Roam (Bar Incoming Calls when Roaming outside the home country)
"AB"	All Barring services (applicable only for <code>&lt;mode&gt;=0</code> )
"AG"	All outGoing barring services (applicable only for <code>&lt;mode&gt;=0</code> )
"AC"	All inComing barring services (applicable only for <code>&lt;mode&gt;=0</code> )

`<mode>`<sup>(num)</sup>

0	unlock
1	lock
2	query status

<status><sup>(num)</sup>

0	lock is inactive
1	lock is active

<password><sup>(str)</sup>

Password string used to lock and to unlock a <facility>. Length and authority for passwords depend on the <facility> in question and are therefore listed in the section on parameter <facility>. Passwords can be modified with AT+CPWD or AT^SPWD.

<class><sup>(num)</sup>

Integer or sum of integers each representing a class of information, i.e. a bearer service, telecommunication service or bearer service group as defined in "GSM 02.04".

1	voice
2	class 2 ("data") comprises all those individual data classes between 16 and 128, that are supported both by the network and the MS. This means, a setting made for class 2 applies to all individual data classes (if supported). In addition, you can assign a different setting to a specific class. For example, you can activate Call Forwarding for all data classes, but deactivate it for data class 64, "dedicated packet access".
4	fax
8	SMS
16	data circuit sync
32	data circuit async
64	dedicated packet access
128	dedicated PAD access
1...[7]...255	combination of some of the above classes. For example, the default setting 7 represents the sum of the integers 1, 2 and 4 (voice, data and fax). The value 255 covers all classes. If parameter "class" is omitted, the default value 7 is used.

**Notes**

- The AT+CLCK command offers the full range of <class> parameters according to the GSM specifications. However, when you attempt to use a service option which is not provisioned or not yet subscribed to, the setting will not take effect regardless of the response returned. The responses in these cases vary with the network (for example "OK", "Operation not allowed", "Operation not supported" etc.). To make sure check the extended error response with AT+CEER and the lock status with <mode>=2.
- The command has been implemented with the full set of <class> parameters according to GSM 07.07. For actual applicability of a desired Call barring service to a specific service or service group (a specific <class> value) please consult table A.1 of GSM 02.04.
- If an outgoing Fax or Data Call is rejected due to an active "call barring" supplementary service, the call will be terminated with result code NO CARRIER. Under the same conditions, an outgoing Voice call will be terminated with result code NO DIALTONE.

## Examples

### EXAMPLE 1

Lock SIM card (<facility>= "SC")

```
AT+CLCK="SC",1,"9999"
```

OK

The "SC" parameter enables or disables the SIM PIN authentication (PIN 1) when you power up the GSM engine

SIM card locked. As a result, SIM PIN 1 must be entered to enable ME to register to the GSM network.

```
AT+CLCK="SC",0,"9999"
```

OK

Unlocks SIM card.

When powered up, ME registers to the GSM network without requesting SIM PIN1.

Note: Depending on the services offered by the provider, this feature is not supported by all SIM card types. If so, the command returns ERROR when you attempt to unlock the card.

To query the status of the SIM card lock:

```
AT+CLCK="SC",2
```

```
+CLCK: 1
```

OK

Query the status of SIM card lock.

SIM card is locked. SIM PIN1 must be entered to enable ME to register to the GSM network.

### EXAMPLE 2

Phone lock (<facility>="PS")

```
AT+CPIN?
```

OK

Make sure that PIN1 authentication is valid.

To lock the ME to the currently inserted SIM card, first specify a password for <facility> "PS":

```
AT+CPWD="PS",,"1234"
```

OK

If "PS" lock has not been set before: enter new password.

Optionally, if "PS" password was defined before, change existing password:

```
AT+CPWD="PS","1234","3333"
```

OK

To replace existing "PS" password: Enter old and new password.

Then, activate the Phone Lock:

```
AT+CLCK="PS",1,"3333"
```

OK

Locks the mobile to the current SIM card.

To operate the mobile with the SIM card for which "PS" lock was activated:

```
AT+CPIN?
```

```
+CPIN: SIM PIN
```

OK

```
AT+CPIN="9999"
```

OK

No additional password is required for operation (SIM recognized by mobile).

To operate the mobile with other SIM card than the one used for the "PS" lock:  
Enter SIM PIN of present card, followed by "PS" lock password.

AT+CPIN?	
+CPIN: SIM PIN	
OK	
AT+CPIN="1111"	
OK	PIN authentication accepted.
AT+CPIN?	
+CPIN: PH-SIM PIN	"PS" lock password is required.
OK	
AT+CPIN="3333"	
OK	"PS" Lock password has been accepted. ME is fully operational now.

To deactivate the Phone Lock:

AT+CLCK="PS",0,"3333"	Phone Lock password has to be provided again.
OK	Now the mobile can be used with any SIM card, without the need of the phone lock password.



## 5.5 AT^SLCK Facility lock

AT command [AT^SLCK](#) provides the "Facility lock" function as described for AT command [AT+CLCK](#) defined in GSM 07.07.

It is identical in every respect to [AT+CLCK](#), except that the command syntax and response prefix is "^SLCK" instead of "+CLCK".

### Syntax

Test Command

```
AT^SLCK=?
```

Response(s)

```
^SLCK: list of supported <facility>s  
OK
```

Write Command

```
AT^SLCK=<facility>, <mode>[, <password>][, <class>]
```

Response(s)

```
if <mode> is not equal 2 and command successful:
```

```
OK
```

```
if <mode>= 2 and command successful:
```

```
^SLCK: <status>, <class>
```

```
[^SLCK: <status>, <class> ]
```

```
[^SLCK: ...]
```

```
OK
```

```
If error is related to ME functionality
```

```
+CME ERROR
```

PIN	ASC0	MUX1	MUX2	MUX3
●	●	●	●	●

Reference(s)

```
SIEMENS, GSM 07.07, GSM 02.04,  
GSM 02.88, GSM 03.88, GSM 04.88
```

### Command Description

The Test command returns the supported parameters.

Use this command to lock, unlock or interrogate a network or ME [<facility>](#). The command can be aborted when network facilities are being set or interrogated.

### Note

- For further details please refer to [AT+CLCK](#).

## 5.6 AT+CPWD Change Password

Use this command when you want to change the passwords defined for the "facility lock" functions available from [AT+CLCK](#). A password consists of a string of numeric digits with a length in the range specified by [<password length>](#).

Specifically the command can be used to

- change PIN1 or PIN2,
- change the password supplied from your provider for the "call barring" supplementary service,
- set individual phone security passwords,
- enter the unblocking key (Master Phone Code) to restore a disabled "PS" password.

See AT commands [AT+CLCK](#) and [AT^SLCK](#) for more information on the various lock features.

### Syntax

Test Command

```
AT+CPWD=?
```

Response(s)

```
+CPWD:(list of supported (<facility>, <password length>)  
OK
```

Write Command

```
AT+CPWD=<facility>, <old password>[, <new password>]
```

Response(s)

New password has been registered for the facility lock function.

OK

If parameter [<old password>](#) was not correct:

```
+CME ERROR 16 (+CME ERROR: incorrect password)
```

If the password for the selected [<facility>](#) has been invalidated due to too many failed attempts:

```
+CME ERROR ...
```

If error is related to ME functionality:

```
+CME ERROR
```

PIN	ASC0	MUX1	MUX2	MUX3
●	●	●	●	●

Reference(s)

GSM 07.07

### Command Description

The test command returns a list of pairs which represent the available facilities and the maximum length of the associated password.

The write command allows to define a new password for a password protected [<facility>](#) lock function. Each password is a string of digits, the length of which varies with the associated [<facility>](#).

## Parameter Description

<facility><sup>(str)</sup>

Phone security locks set by client or factory:

Primarily intended for the client to take safety precautions, passwords "SC" (SIM PIN) and "P2" (SIM PIN2) are usually predefined, but can be configured individually. The password for lock facility "PS" may also be factory set.

"SC"	<p>SIM PIN. SIM requests password upon ME power-up and when this lock command is issued.</p> <p>If incorrectly entered three times, the SIM PUK is required to perform authentication. Input of the SIM PUK password is possible only with AT command <a href="#">AT+CPIN</a> or <a href="#">ATD</a>. For further details please refer to chapter <a href="#">5.1.1</a>.</p> <p>&lt;password length&gt;: 4 to 8 digits.</p>
"PS"	<p>Phone locked to SIM card. ME requests password when other than current SIM card is inserted.</p> <p>"PS" lock is frequently referred to as "phone lock", or "device lock". Accordingly, the password may be called "phone code" or "device code". The "PS" password is not associated with the PUK of the SIM card. It must be defined before the first use of &lt;facility&gt; "PS" with <a href="#">AT+CLCK</a>.</p> <p>&lt;password length&gt;: 4 digits.</p> <p>If incorrectly entered three times, the Master Phone Code is required to lift the lock. This Unblocking procedure is performed with <a href="#">AT+CPWD</a> using the following parameters: &lt;facility&gt;="PS", &lt;old password&gt;= Master Phone Code (to be obtained from the module manufacturer), and &lt;new password&gt;= the new phone code ("PS" password for lock facility), if desired.</p> <p>Mind that successful PIN authentication is a prerequisite for use of AT command <a href="#">AT+CPWD</a>. If Pin authentication has not been completed, input of the Master Phone code password is possible only with AT command <a href="#">AT+CPIN</a> or <a href="#">ATD</a>. For further detail please refer to chapter <a href="#">5.1.1</a>.</p> <p>Once the Master Phone Code has been accepted, the mobile is operational, and the "PS" lock is no longer active. If needed it must be set once again with <a href="#">AT+CLCK</a>.</p>
"P2"	<p>SIM PIN 2, e.g. required for authentication with facility lock "FD" (cf. <a href="#">AT+CLCK</a>).</p> <p>If incorrectly entered three times, the SIM PUK 2 is required to perform authentication. Input of the SIM PUK 2 password is possible only with AT command <a href="#">AT+CPIN2</a> or <a href="#">ATD</a>. For further detail please refer to chapter <a href="#">5.1.1</a>.</p> <p>&lt;password length&gt;: 4 to 8 digits.</p>

Factory defined SIM locks:

Typical examples of factory set SIM locks are prepaid phones or network locks, used to restrict the operation of a mobile to a specific provider or operator. The client should be aware that each of these lock types can only be unlocked if the associated password is available. For example, a mobile can be locked to accept only SIM cards from the respective provider, or even one single SIM card. Once a different SIM card is inserted the ME will prompt the client to enter a specific code. This is not the PUK of the SIM card, but usually an 8-digit code which needs to be requested from the provider.

The locks can only be set by the manufacturer and need to be agreed upon between the parties concerned, e.g. provider, operator, distributor etc. on the one side and the manufacturer on the other side. For details contact your local dealer or Siemens AG.

"PF"	lock Phone to the very First SIM card
"PN"	Network Personalisation
"PU"	Network subset Personalisation

"PP"	Service Provider Personalisation
"PC"	Corporate Personalisation

#### Supplementary Service Call Barring:

Supplementary Service "Call Barring" allows to specify conditions under which calls will be disallowed by the network.

The availability of the Supplementary Services varies with the network. To benefit from call barring the client will need to subscribe them, though a limited number of call barring types may be included in the basic tariff package.

**<password length>**: The Network Password needs to be supplied from the network provider or network operator. Usually there is one 4 digit password which applies to all call barring options. For details contact your provider.

"AO"	BAOC (Bar All Outgoing Calls)
"OI"	BOIC (Bar Outgoing International Calls)
"OX"	BOIC-exHC (Bar Outgoing International Calls except to Home Country)
"AI"	BAIC (Bar All Incoming Calls)
"IR"	BIC-Roam (Bar Incoming Calls when Roaming outside the home country)
"AB"	All Barring services
"AG"	All outGoing barring services
"AC"	All inComing barring services

**<password length>**<sup>(num)</sup>

4...8 length of password. The range of permitted length for a password depends on the associated **<facility>**. It is available from the test command response, or in the description of parameter **<facility>**.

**<old password>**<sup>(str)</sup>

Password specified for the facility.

Parameter **<old password>** can be ignored if no old password was allocated to the facility.

Take into account that a password may have already been set by factory, or that the service is subject to a password issued by the provider. See notes above or contact provider.

**<new password>**<sup>(str)</sup>

New password. Mandatory, if **<old password>** was an unblocking key (such as the Master Phone Code).

#### Note

- To delete a password use the following syntax:  
at+cpwd=**<facility>**,**<old password>**

#### Examples

##### EXAMPLE 1

To change PIN2

```
AT+CPWD="P2", "0000", "8888"
```

(where "0000" = old PIN2 and "8888" = new PIN2)

```
OK
```

PIN2 Password has been changed to "8888"

EXAMPLE 2

To set password used to enable or disable barring of all outgoing calls:

AT+CPWD="AO", "0000", "3333"	Requests the network to change the password for supplementary service "call barring". Usually this request will affect all barring services, even though the request is issued for Supplementary Service BAOC ("Barring of all outgoing calls") only. Refer to the respective network provider for detail.
OK	

EXAMPLE 3

Handling of the "PS" lock password

AT+CMEE=2	Enable text output of CME Error information
AT+CPWD="PS", "1111", "2222"	(where "1111" = old password and "2222" = new password)
OK	Password for facility "PS" is now "2222"
AT+CPWD="PS", "1111", "2222"	Repeat command to provoke error "incorrect password"
+CME ERROR: incorrect password	("1111" is no longer the correct password)

EXAMPLE 4

To specify a new "PS" lock password, after the old password was disabled (e.g. after three failed attempts to change the "PS" password): use the master phone code.

CAUTION: THIS TEST SHOULD BE PERFORMED ONLY IF THE CORRECT MASTER PHONE CODE FOR THE INDIVIDUAL ME USED IS DEFINITELY AVAILABLE! Otherwise the module used will be rendered useless until the correct master phone code is entered!:

AT+CPWD="PS", "12345678", "1111"	where 12345678 is the Master Phone Code and 1111 is the new password. You may also use <a href="#">&lt;new password&gt;</a> to restore the former disabled password.
OK	

Alternatively, without giving a new password:

AT+CPWD="PS", "12345678"	(where 12345678 is the Master Phone Code). Deactivates the present phone lock.
OK	

## 5.7 AT^SPWD Change Password

Use this command when you want to change the passwords defined for the "facility lock" functions available from [AT+CLCK](#). Specifically the command can be used to

- change PIN1 or PIN2,
- change the password supplied from your provider for the "call barring" supplementary service,
- set individual phone security passwords,
- enter the unblocking key (Master Phone Code) to restore a disabled "PS" password.

See AT commands [AT+CLCK](#) and [AT^SLCK](#) for more information on the various lock features.

AT command [AT^SPWD](#) is identical in every respect to [AT+CPWD](#), except that the command syntax and response prefix is "^SPWD" instead of "+CPWD".

### Syntax

Test Command

```
AT^SPWD=?
```

Response(s)

```
^SPWD:(list of supported (<facility>, <password length>)  
OK
```

Write Command

```
AT^SPWD=<facility>, <old password>[, <new password>]
```

Response(s)

New password has been registered for the facility lock function.

OK

If parameter `<old password>` was not correct:

```
+CME ERROR 16 (+CME ERROR: incorrect password)
```

If the password for the selected `<facility>` has been invalidated due to too many failed attempts:

```
+CME ERROR ...
```

If error is related to ME functionality:

```
+CME ERROR
```

PIN	ASC0	MUX1	MUX2	MUX3
●	●	●	●	●

### Command Description

The test command returns a list of pairs which represent the available facilities and the maximum length of the associated password.

The write command allows to define a new password for a password protected `<facility>` lock function. Each password is a string of digits, the length of which varies with the associated `<facility>`.

### Note

- For further description please refer to [AT+CPWD](#).

## 6. Identification Commands

The AT Commands described in this chapter allow the external application to obtain various identification information related to the TC35i and linked entities.

### 6.1 ATI Display product identification information

#### Syntax

```
Exec Command
ATI

Response(s)
SIEMENS
TC35i
REVISION xx.yy
OK
```

```
Exec Command
ATI[<value>]

Response(s)
[SIEMENS Gipsy Soft Protocolstack V2.550]
OK
```

PIN	ASC0	MUX1	MUX2	MUX3
<input type="radio"/>	<input checked="" type="radio"/>	<input checked="" type="radio"/>	<input checked="" type="radio"/>	<input checked="" type="radio"/>

```
Reference(s)
V.25ter
```

#### Command Description

ME issues product information text.

Explanation of 'Revision' parameter: Version xx and variant yy of software release.

ME issues additional identification informations, after using with optional parameter.

ATI9 delivers the information above. Other values are not supported and only return OK.

#### Parameter Description

<value> <sup>(num)</sup>	
9	SIEMENS Gipsy Soft Protocolstack V2.550

## 6.2 AT+CGMI Request manufacturer identification

### Syntax

Test Command

```
AT+CGMI=?
```

Response(s)

```
OK
```

Exec Command

```
AT+CGMI
```

Response(s)

```
SIEMENS
```

```
OK
```

PIN	ASC0	MUX1	MUX2	MUX3
<input type="radio"/>	<input checked="" type="radio"/>	<input checked="" type="radio"/>	<input checked="" type="radio"/>	<input checked="" type="radio"/>

Reference(s)

```
GSM 07.07
```

### Command Description

TA returns manufacturer identification text.

### Note

- See also: [AT+GMI](#).



## 6.3 AT+GMI Request manufacturer identification

### Syntax

Test Command

AT+GMI=?

Response(s)

OK

Exec Command

AT+GMI

Response(s)

SIEMENS

OK

PIN	ASC0	MUX1	MUX2	MUX3
<input type="radio"/>	<input checked="" type="radio"/>	<input checked="" type="radio"/>	<input checked="" type="radio"/>	<input checked="" type="radio"/>

Reference(s)

V.25ter

### Command Description

TA reports information to identify the manufacturer.

### Note

- See also: [AT+CGMI](#)

## 6.4 AT+CGMM Request model identification

### Syntax

Test Command

AT+CGMM=?

Response(s)

OK

Exec Command

AT+CGMM

Response(s)

TC35i

OK

PIN	ASC0	MUX1	MUX2	MUX3
-----	------	------	------	------

<input type="radio"/>	<input checked="" type="radio"/>	<input checked="" type="radio"/>	<input checked="" type="radio"/>	<input checked="" type="radio"/>
-----------------------	----------------------------------	----------------------------------	----------------------------------	----------------------------------

Reference(s)

GSM 07.07

### Command Description

TA returns product model identification text.

### Note

- See also: [AT+GMM](#).

## 6.5 AT+GMM Request TA model identification

### Syntax

Test Command

AT+GMM=?

Response(s)

OK

Exec Command

AT+GMM

Response(s)

TC35i

OK

PIN	ASC0	MUX1	MUX2	MUX3
<input type="radio"/>	<input checked="" type="radio"/>	<input checked="" type="radio"/>	<input checked="" type="radio"/>	<input checked="" type="radio"/>

Reference(s)

V.25ter

### Command Description

TA reports one or more lines of information text which permit the user to identify the specific model of device.

### Note

- See also: [AT+CGMM](#)

## 6.6 AT+CGMR Request revision identification of software status

### Syntax

Test Command

```
AT+CGMR=?
```

Response(s)

```
OK
```

Exec Command

```
AT+CGMR
```

Response(s)

```
REVISION <xx.yy>
```

```
OK
```

PIN	ASC0	MUX1	MUX2	MUX3
<input type="radio"/>	<input checked="" type="radio"/>	<input checked="" type="radio"/>	<input checked="" type="radio"/>	<input checked="" type="radio"/>

Reference(s)

```
GSM 07.07
```

### Command Description

TA returns product firmware version identification text.

### Parameter Description

<xx.yy><sup>(str)</sup>

Version xx and variant yy of software release.

### Note

- See also: [AT+GMR](#).

## 6.7 AT+GMR Request TA revision identification of software status

### Syntax

Test Command

```
AT+GMR=?
```

Response(s)

```
OK
```

Exec Command

```
AT+GMR
```

Response(s)

```
REVISION <xx.yy>
```

```
OK
```

PIN	ASC0	MUX1	MUX2	MUX3
<input type="radio"/>	<input checked="" type="radio"/>	<input checked="" type="radio"/>	<input checked="" type="radio"/>	<input checked="" type="radio"/>

Reference(s)

```
V.25ter
```

### Command Description

TA returns product software version identification text.

### Parameter Description

<xx.yy><sup>(text)</sup>

Version xx and variant yy of software release.

### Note

- See also: [AT+CGMR](#)

## 6.8 AT+CGSN Request product serial number identification (IMEI) identical to GSN

### Syntax

Test Command

```
AT+CGSN=?
```

Response(s)

```
OK
```

Exec Command

```
AT+CGSN
```

Response(s)

```
<sn>
```

```
OK
```

PIN	ASC0	MUX1	MUX2	MUX3
<input type="radio"/>	<input checked="" type="radio"/>	<input checked="" type="radio"/>	<input checked="" type="radio"/>	<input checked="" type="radio"/>

Reference(s)

```
GSM 07.07
```

### Command Description

TA returns identification text for determination of the individual ME.

### Parameter Description

<sn><sup>(str)</sup>

IMEI of the telephone (International Mobile station Equipment Identity)

### Note

- See also: [AT+GSN](#).

## 6.9 AT+GSN Request TA serial number identification(IMEI)

### Syntax

Test Command

AT+GSN=?

Response(s)

OK

Exec Command

AT+GSN

Response(s)

<sn>

OK

PIN      ASC0      MUX1      MUX2      MUX3

Reference(s)

V.25ter

### Command Description

TA reports one or more lines of information text which permit the user to identify the individual device.

### Parameter Description

<sn><sup>(str)</sup>

IMEI of the telephone (International Mobile station Equipment Identity)

### Note

- The serial number (IMEI) varies for every individual ME device.

## 6.10 AT+CIMI Request international mobile subscriber identity

### Syntax

Test Command

```
AT+CIMI=?
```

Response(s)

```
OK
```

Exec Command

```
AT+CIMI
```

Response(s)

```
<imsi>
```

```
OK
```

```
ERROR
```

```
+CME ERROR: <err>
```

PIN	ASC0	MUX1	MUX2	MUX3
●	●	●	●	●

Reference(s)

```
GSM 07.07
```

### Command Description

TA returns IMSI for identifying the individual SIM which is attached to ME.

### Parameter Description

<imsi><sup>(str)</sup>

International Mobile Subscriber Identity (string without quotes).



## 7. Call related Commands

The AT Commands described in this chapter are related to Mobile Originated (MOC, i.e. outgoing) Calls and Mobile Terminated (MTC, i.e. incoming) Calls.

### 7.1 ATA Answer a call

#### Syntax

Exec Command

ATA

Response(s)

In case of data call, if successfully connected:  
CONNECT <text> TA switches to data mode.  
In case of voice call, if successfully connected:  
OK  
When TA returns to command mode after call release:  
OK  
If no connection:  
NO CARRIER

PIN ASC0 MUX1 MUX2 MUX3

● ● ● ● ●

Reference(s)

V.25ter

#### Command Description

TA causes remote station to go off-hook (e.g. answer call).

#### Parameter Description

<text><sup>(str)</sup>

Connection status

<text> output only if ATX parameter setting with value greater 0.

#### Notes

- Any additional commands on the same command line are ignored.
- The command may be aborted generally by receiving a character during execution. It can't be aborted in some connection setup states, such as handshaking.
- if AT+FCLASS setting is 1 or 2, all incoming calls will be answered as fax calls, if ATA is issued on multiplexer channel 1 resp. ASC0. For calls explicitly signalled as voice or data calls, this procedure will fail with result

code "NO CARRIER", but the call in question will continue to ring.  
It is possible to change the setting for [AT+FCLASS](#) to 0 while the call is ringing, and accept the call normally afterwards with [ATA](#).

- See also [ATX](#) for `<text>`.

## 7.2 ATD Mobile originated call to dial a number

### Syntax

Exec Command

```
ATD<n>[<mgsms>][:]
```

Response(s)

If no dialtone (parameter setting [ATX2](#) or [ATX4](#)):

```
NO DIALTONE
```

If busy (parameter setting [ATX3](#) or [ATX4](#)):

```
BUSY
```

If a connection cannot be set up:

```
NO CARRIER
```

```
OK
```

If successfully connected and non-voice call (TA switches to online data mode):

```
CONNECT <text>
```

When TA returns to command mode after call release:

```
OK
```

If successfully connected and voice call:

```
OK
```

PIN	ASC0	MUX1	MUX2	MUX3
<input type="radio"/>	<input checked="" type="radio"/>	<input checked="" type="radio"/>	<input type="radio"/>	<input type="radio"/>

Reference(s)

V.25ter

### Command Description

This command can be used to set up outgoing voice, data or fax calls. It also serves to control Supplementary Services. The termination character ";" is mandatory to set up voice calls or to send \*# codes for Supplementary Services. It must not be used for data and fax calls.

Additional notes on the responses returned after dialing with [ATD](#):

- For voice calls, you have the choice of two different response modes that can be selected with [AT^SM20](#):  
[AT^SM20=1](#) (factory default) causes the ME to respond once the call setup is completed either successfully ("OK") or unsuccessfully ("NO CARRIER", "NO DIAL TONE", "BUSY").  
[AT^SM20=0](#) causes the ME to return "OK" immediately after dialing was completed (i.e. before call setup terminates successfully or unsuccessfully).
- For data connections, call setup always terminates when the call has been established (indicated by the result code "CONNECT <text>"), or when it fails (indicated by "NO CARRIER"). The settings of [AT^SM20](#) do not apply.

Different call release indications:

- Upon termination, an outgoing fax or data call may show a different result code than a voice call would show under identical conditions. In order to track down the actual reason for call termination, [AT+CEER](#) or [ATS18](#) should be used for all applicable connections.

Using [ATD](#) during an active call:

- When a user originates a second voice call while there is already an active voice call, the first call will automatically be put on hold. The second call attempt is acknowledged with "OK" immediately after dialing with ATD has completed, without relation to a successful call setup. In case of failure, the additional result codes "NO CARRIER", "NO DIAL TONE", "NO CARRIER" will be presented afterwards (see example below).

### Parameter Description

`<n>`<sup>(text)</sup>

String of dialing digits and optional V.25ter modifiers: 0-9, \*, #, +, A, B, C

The following V.25ter modifiers are ignored: ,(comma), T, P, !, W, @

Emergency call: `<n>` = 112 standardized GSM emergency number (no SIM needed).

`<mgsms>`<sup>(str)</sup>

String of GSM modifiers:

- l Activates CLIR (disables presentation of own phone number to called party)
- i Deactivates CLIR (enables presentation of own phone number to called party)
- G Activate Closed User Group explicit invocation for this call only.
- g Deactivate Closed User Group explicit invocation for this call only.

### Notes

- The command may be aborted generally when receiving an [ATH](#) command during execution. It cannot be aborted in some connection setup states, such as handshaking.
- Parameter "l" and "i" only if no \*#-code is within the dial string.
- `<mgsms>` is not supported for data calls.
- `<n>` is default for last number that can be dialled by [ATDL](#).
- See also [ATX](#) for `<text>`.
- If [ATD](#) is used with a USSD command (e.g. `ATD*100#;`) an `AT+CUSD=1` is executed implicitly (see [AT+CUSD](#)).
- Parameter 'G' or 'g' will be ignored if Closed User Group was already activated, respectively deactivated with [AT+CCUG](#) command before. Call by call invocation of CUG uses the settings provisioned by the provider or, if available, the settings of the parameters `<index>` and `<info>` made with [AT+CCUG](#).
- The ME is equipped with a "Blacklist" function according to GSM02.07 Annex A:  
After a predefined number of failed call attempts, the dialed number is entered into a read-only phonebook called "blacklist" (phonebook "BL"). Call attempts to numbers contained in the blacklist will be barred by ME and not signalled to the network.  
An attempt to start a voice call to a barred phone number will be stopped with a CME ERROR 257 "Call Barred".  
An attempt to start a data or fax call to a barred phone number will be answered immediately with result code "NO CARRIER".  
The barred numbers are automatically removed from the blacklist according to the timing conditions specified in GSM02.07 Annex A.
- To start the [ATD](#) command automatically on DTR signal activation `AT%D` may be used.

### Example

The following example shows the call setup procedure when a call is already active and a second call attempt fails because the line of the called party is busy:

atd03012345678	Dialing out the first party's number.
OK	The first call is established.
ATD03022222222	The number of the second party is dialed.
OK	The response "OK" is issued immediately though no call is established (same behavior as is you had chosen <a href="#">AT^SM20=0</a> .)
BUSY	Line of the second called party is busy.

## 7.3 ATD><mem><n> Originate call to phone number in memory

### Syntax

#### Exec Command

```
ATD><mem><n>[<mgsms>];
```

#### Response(s)

ERROR

+CME ERROR: <err>

If no dialtone (parameter ATX2 or ATX4):

NO DIALTONE

If busy (parameter setting ATX3 or ATX4):

BUSY

If connection cannot be set up:

NO CARRIER

When TA returns to command mode after call release:

OK

If successfully connected:

OK

PIN ASC0 MUX1 MUX2 MUX3

● ● ● ○ ○

#### Reference(s)

V.25ter

### Command Description

TA attempts to set up an outgoing call to the specified number. The termination character ";" is mandatory since dialing from a phonebook is only supported for voice calls and for sending \*# codes of Supplementary Services or other functions.

### Parameter Description

<mem><sup>(str)</sup>

Phonebook storage:

For detailed description of storages see [AT+CPBS](#).

"FD"	Fixed dialing phonebook
"SM" <sup>(&amp;F)</sup>	SIM phonebook
"ON"	MSISDN list
"ME"	Mobile Equipment Phonebook
"LD"	Last number dialed phonebook
"MC"	Missed (unanswered received) calls list
"RC"	Received calls list

<n><sup>(num)</sup>

Integer type memory location in the range of locations available in the selected memory, i.e. the index number returned by [AT+CPBR](#).

<mgsms><sup>(str)</sup>

String of GSM modifiers:

- l Activates CLIR (disables presentation of own phone number to called party)
- i Deactivates CLIR (enables presentation of own phone number to called party)

### Notes

- This command may be aborted generally by receiving a character during execution. Abortion is not possible during some states of connection setup such as handshaking.
- There is no <mem> for emergency call ("EN").
- The command is not applicable to data calls. Any attempt to dial a data call number from <mem> causes the result code "NO CARRIER" to appear.
- Parameter <mgsms> only if no \*# code is within the dialing string.
- See [ATX](#) for setting result code and call monitoring parameters.

### Examples

#### EXAMPLE 1

To query the location number of the phonebook entry:

```
AT+CPBR=1,xx
```

TA returns the entries available in the active phonebook.

#### EXAMPLE 2

To dial a number from the SIM phonebook, for example the number stored to location 15:

```
ATD>SM15 ;  
OK
```

#### EXAMPLE 3

To dial a phone number stored in the last dial memory on the SIM card:

```
ATD>LD9 ;  
OK
```

## 7.4 ATD<n> Originate call to phone number selected from active memory

### Syntax

Exec Command

```
ATD<n>[<msgm>];
```

Response(s)

ERROR

+CME ERROR: <err>

If no dialtone (parameter ATX2 or ATX4):

NO DIALTONE

If busy (parameter setting ATX3 or ATX4):

BUSY

If connection cannot be set up:

NO CARRIER

When TA returns to command mode after call release:

OK

If successfully connected:

OK

PIN	ASC0	MUX1	MUX2	MUX3
●	●	●	◐	◐

Reference(s)

V.25ter

### Command Description

TA attempts to set up an outgoing call to the stored number. The termination character ";" is mandatory since dialing from a phonebook is only supported for voice calls and for sending \*# codes of Supplementary Services or other functions.

### Parameter Description

<n><sup>(num)</sup>

Integer type memory location in the range of locations available in the selected memory, i.e. the index number returned by [AT+CPBR](#).

<msgm><sup>(str)</sup>

String of GSM modifiers:

l Activates CLIR (disables presentation of own phone number to called party)

i Deactivates CLIR (enables presentation of own phone number to called party)

### Notes

- This command may be aborted generally by receiving a character during execution. Abortion is not possible



during some states of connection setup such as handshaking.

- The command is not applicable to data calls. Any attempt to dial a data call number from <n> causes the result code "NO CARRIER" to appear.
- Parameter <mgsn> only if no \*# code is within the dialing string.

## 7.5 ATD<str> Originate call to phone number in memory with corresponding field

### Syntax

Exec Command

```
ATD<str>[<mgsms>];
```

Response(s)

ERROR

+CME ERROR: <err>

If no dialtone (parameter ATX2 or ATX4):

NO DIALTONE

If busy (parameter setting ATX3 or ATX4):

BUSY

If connection cannot be set up:

NO CARRIER

When TA returns to command mode after call release:

OK

If successfully connected:

OK

PIN	ASC0	MUX1	MUX2	MUX3
●	●	●	◐	◐

Reference(s)

V.25ter

### Command Description

This command searches the active phonebook for a given string <str> and dials the assigned phone number. The termination character ";" is mandatory since dialing from a phonebook is only supported for voice calls and for sending \*# codes of Supplementary Services or other functions.

### Parameter Description

<str><sup>(str)(+CSCS)</sup>

String type value ("x"), which should equal an alphanumeric field in at least one phonebook entry in the searched memories; used character set should be the one selected with AT+CSCS. <str> can contain escape sequences as described in chapter "Supported character sets".

<str> must be wrapped in quotation marks (""), if escape sequences or parameter <mgsms> are used or if the alphanumeric strings contains a blank. If not, quotation marks are optional.

<mgsms><sup>(str)</sup>

String of GSM modifiers:

- l Activates CLIR (disables presentation of own phone number to called party)
- i Deactivates CLIR (enables presentation of own phone number to called party)

**Notes**

- This command may be aborted generally by receiving a character during execution. Abortion is not possible during some states of connection setup such as handshaking.
- The command is not applicable to data calls. Any attempt to dial <str> without semicolon ";" causes the result code "NO CARRIER" to appear.
- Parameter <mgsm> only if no \*# code is within the dialing string.

## 7.6 ATDI Mobile originated call to dialable ISDN number <n>

### Syntax

#### Exec Command

```
ATDI<n>[<i>]
```

#### Response(s)

If no dialtone (parameter ATX2 or ATX4):

```
NO DIALTONE
```

If busy (parameter setting ATX3 or ATX4):

```
BUSY
```

If connection cannot be set up:

```
NO CARRIER
```

If successfully connected and non-voice call (TA switches to data state):

```
CONNECT <text>
```

When TA returns to command mode after call release:

```
OK
```

If successfully connected and voice call:

```
OK
```

PIN	ASC0	MUX1	MUX2	MUX3
●	●	●	○	○

#### Reference(s)

V.25ter

### Command Description

TA attempts to set up an outgoing call to ISDN number.

### Parameter Description

<n><sup>(str)</sup>

ISDN number [+]<d>

String with maximum length of 20 characters. Allowed characters:

+: international dialing format

<d>: 0-9, A, B, C

<i><sup>(str)</sup>

voice call.

### Note

- This command may be aborted generally by receiving a character during execution. Abortion is not possible during some states of connection setup such as handshaking.

## 7.7 ATDL Redial last telephone number used

### Syntax

Exec Command

```
ATDL[:]
```

Response(s)

If there is no last number or number is not valid:

```
+CME ERROR
```

If no dialtone (parameter ATX2 or ATX4):

```
NO DIALTONE
```

If busy (parameter setting ATX3 or ATX4):

```
BUSY
```

If connection cannot be set up:

```
NO CARRIER
```

If successfully connected and non-voice call (TA switches to online data mode):

```
CONNECT <text>
```

When TA returns to command mode after call release:

```
OK
```

If successfully connected and voice call:

```
OK
```

PIN	ASC0	MUX1	MUX2	MUX3
●	●	●	◐	◐

Reference(s)

```
V.25ter
```

### Command Description

This command redials the last voice and data call number used in the ATD command. If terminated with semi-colon ";", ATDL dials the last voice call number stored in the "LD" phonebook. Otherwise, the last dialed data or fax number will be used (not contained in the "LD" phonebook).

### Note

- This command may be aborted generally by receiving a character during execution. Abortion is not possible during some states of connection setup such as handshaking.

## 7.8 ATH Disconnect existing connection

### Syntax

Exec Command

```
ATH[<n>]
```

Response(s)

```
OK
```

PIN	ASC0	MUX1	MUX2	MUX3
<input type="radio"/>	<input checked="" type="radio"/>	<input checked="" type="radio"/>	<input checked="" type="radio"/>	<input checked="" type="radio"/>

Reference(s)

```
V.25ter
```

### Command Description

Disconnect existing call from command line by local TE and terminate call.

### Parameter Description

<n><sup>(num)</sup>

[0] disconnect from line and terminate call

### Notes

- OK is issued after circuit 109 (DCD) is turned off, if it was previously on.
- [ATH](#) terminates every circuit switched call (voice, data or fax), even if it is issued via another interface. This behavior is in accordance with ITU-T V.25 ter; (07/97, "Hook control": "[ATH](#) is terminating any call in progress.").

## 7.9 AT+CHUP Hang up call

### Syntax

Test Command

```
AT+CHUP=?
```

Response(s)

```
OK
```

Exec Command

```
AT+CHUP
```

Response(s)

```
ERROR
```

```
OK
```

PIN	ASC0	MUX1	MUX2	MUX3
●	●	●	●	●

Reference(s)

```
GSM 07.07
```

### Command Description

Cancels all active and held calls.

### Note

- [AT+CHUP](#) implements the same behaviour as [ATH](#).

## 7.10 AT^SHUP Hang up call(s) indicating a specific GSM04.08 release cause

### Syntax

Test Command

AT^SHUP=?

Response(s)

OK

Write Command

AT^SHUP=<cause>[, <cn>]

Response(s)

ERROR

OK

PIN ASC0 MUX1 MUX2 MUX3

● ● ● ● ●

Reference(s)

Siemens

### Command Description

The write command serves to end one specific call or all calls known to the ME, indicating a specific GSM04.08 release cause specified by the user. The command can be used for voice, fax and data calls in any call status (i.e. any calls listed by [AT+CLCC](#)).

### Parameter Description

<cause><sup>(num)</sup>

release cause

Release cause from GSM04.08 to be indicated to the network.

The TC35i will release the selected connection(s) with release cause indication "cause" and location "user" (0) in the "disconnect" protocol message to the GSM Network. It depends on the network whether or not the release cause will be forwarded to the remote party.

1	send GSM04.08 release cause "unassigned (unallocated) number"
16	send GSM04.08 release cause "Normal call clearing "
17	send GSM04.08 release cause "User busy "
18	send GSM04.08 release cause "No user responding "
27	send GSM04.08 release cause "Destination out of order "
31	send GSM04.08 release cause "Normal, unspecified"



<cn><sup>(num)</sup>

call number

The "call number" is an optional index into the list of current calls available via [AT+CLCC](#). AT command [AT^SHUP](#) will terminate the call identified by the specified call number. The default call number "0" is not assigned to any call, but signifies "all calls". As "0" is the default value, it may be omitted.

With [AT^SHUP](#), Calls will be terminated regardless of their current call status, which may be any of the states allowed by [AT+CLCC](#).

[0]	terminate all known calls
1...7	terminate the specific call number <cn>

### Notes

- it depends on the network whether or not a delivered release cause will be forwarded to the remote party.
- With [AT^SHUP](#), Calls will be terminated regardless of their current call status, which may be any of the states allowed by [AT+CLCC](#).

## 7.11 ATSO Set number of rings before automatically answering the call

### Syntax

Read Command

ATSO?

Response(s)

<n>

OK

Write Command

ATSO=<n>

Response(s)

OK

PIN ASC0 MUX1 MUX2 MUX3

Reference(s)

V.25ter

### Command Description

This parameter setting determines the number of rings before automatic answering.

### Parameter Description

<n><sup>(num)(&W)(&V)</sup>

000 <sup>(&amp;F)</sup>	automatic answering is disabled
001-255	enable automatic answering on the specified ring number

### Notes

- This command works for MT data, fax and voice calls.
- Autoanswering of CSD data and fax calls is supported on ASC0/Mux1 only.
- If <n> is set to higher values, the calling party may terminate the call establishment before the call can be automatically answered.
- The correlation between [ATS7](#) and [ATSO](#) is important.  
Example: ATS7=30 and ATSO=20 may not allow call establishment.
- Setting is local to the interface. It is allowed to have different settings on different interfaces. In such cases the interface 'wins', which is idle and uses the smallest <n> value.

## 7.12 ATS6 Set pause before blind dialing

### Syntax

Read Command

ATS6?

Response(s)

<n>

OK

Write Command

ATS6=<n>

Response(s)

OK

PIN	ASC0	MUX1	MUX2	MUX3
<input type="radio"/>	<input checked="" type="radio"/>	<input checked="" type="radio"/>	<input type="radio"/>	<input type="radio"/>

Reference(s)

V.25ter

### Command Description

No effect for GSM.

### Parameter Description

<n><sup>(num)(&W)(&V)</sup>

000<sup>(&F)</sup>...255

## 7.13 ATS7 Set number of seconds to wait for connection completion

### Syntax

Read Command

ATS7?

Response(s)

<n>

OK

Write Command

ATS7=<n>

Response(s)

OK

PIN ASC0 MUX1 MUX2 MUX3

Reference(s)

V.25ter

### Command Description

This parameter setting determines the amount of time to wait for the connection completion when answering or originating a call.

### Parameter Description

<n><sup>(num)(&W)(&V)</sup>

no. of seconds to wait for connection completion

000...060<sup>(&F)</sup>

### Notes

- Values bigger than 60 cause no error, but <n> will be set down to maximum value of 60.
- In <n> of [ATS0](#) of the called party is set to higher values the call establishment may not be successful.
- The correlation between [ATS7](#) and [ATS0](#) is important.  
Example: ATS7=30 and ATS0=20 may not allow call establishment.

## 7.14 ATS8 Set number of seconds to wait for comma dialing modifier

### Syntax

Read Command

ATS8?

Response(s)

<n>

OK

Write Command

ATS8=<n>

Response(s)

OK

PIN	ASC0	MUX1	MUX2	MUX3
<input type="radio"/>	<input checked="" type="radio"/>	<input checked="" type="radio"/>	<input type="radio"/>	<input type="radio"/>

Reference(s)

V.25ter

### Command Description

No effect for GSM.

### Parameter Description

<n> (num)(&W)(&V)

## 7.15 AT\$10 Set disconnect delay after indicating the absence of data carrier

### Syntax

Read Command

AT\$10?

Response(s)

<n>

OK

Write Command

AT\$10=<n>

Response(s)

OK

PIN	ASC0	MUX1	MUX2	MUX3
-----	------	------	------	------

<input type="radio"/>	<input checked="" type="radio"/>	<input checked="" type="radio"/>	<input type="radio"/>	<input type="radio"/>
-----------------------	----------------------------------	----------------------------------	-----------------------	-----------------------

Reference(s)

V.25ter

### Command Description

This parameter setting determines the amount of time, that the TA remains connected in absence of a data carrier. If the data carrier is detected before disconnect, the TA remains connected.

### Parameter Description

<n><sup>(num)(&W)(&V)</sup>

number of tenths of seconds of delay

001...2<sup>(&F)</sup>...255

## 7.16 ATP Select pulse dialing

### Syntax

Exec Command
ATP
Response(s)
OK

PIN	ASC0	MUX1	MUX2	MUX3
<input type="radio"/>	<input checked="" type="radio"/>	<input checked="" type="radio"/>	<input type="radio"/>	<input type="radio"/>

Reference(s)
V.25ter

### Note

- No effect for GSM.

## 7.17 ATO Switch from command mode to data mode

### Syntax

Exec Command

ATO[<n>]

Response(s)

If connection is not successfully resumed:

NO CARRIER

or

TA returns to data mode from command mode

CONNECT <text>

Note: <text> output only if ATX parameter setting with value > 0.

PIN	ASC0	MUX1	MUX2	MUX3
<input type="radio"/>	<input checked="" type="radio"/>	<input checked="" type="radio"/>	<input type="radio"/>	<input type="radio"/>

Reference(s)

V.25ter

### Command Description

ATO is the corresponding command to the +++ escape sequence: When you have established a CSD call and TA is in command mode, ATO causes the TA to resume the data connection and takes you back to data mode.

### Parameter Description

<n><sup>(num)</sup>

[0] Switch from command mode to data mode



## 7.18 +++ Switch from data mode to command mode

### Syntax

```
Exec Command
+++

Response(s)
OK
```

PIN	ASC0	MUX1	MUX2	MUX3
<input type="radio"/>	<input checked="" type="radio"/>	<input checked="" type="radio"/>	<input checked="" type="radio"/>	<input checked="" type="radio"/>

```
Reference(s)
V.25ter
```

### Command Description

This command is only available during a data call. The +++ character sequence causes the TA to cancel the data flow over the AT interface and switch to command mode. This allows you to enter AT commands while maintaining the data connection to the remote device.

To prevent the +++ escape sequence from being misinterpreted as data, it must be preceded and followed by a pause of at least 1000 ms. The +++ characters must be entered in quick succession, all within 1000 ms.

### Note

- To return from command mode to data mode: Enter [ATO](#).

## 7.19 ATT Select tone dialing

### Syntax

Exec Command
ATT
Response(s)
OK

PIN	ASC0	MUX1	MUX2	MUX3
<input type="radio"/>	<input checked="" type="radio"/>	<input checked="" type="radio"/>	<input type="radio"/>	<input type="radio"/>

Reference(s)
V.25ter

### Note

- No effect for GSM.

## 7.20 AT+CBST Select bearer service type

### Syntax

Test Command

AT+CBST=?

Response(s)

+CBST: (list of supported<speed>s), (list of supported<name>s), (list of supported<ce>s)  
OK

Read Command

AT+CBST?

Response(s)

+CBST: <speed>, <name>, <ce>  
OK

Write Command

AT+CBST=<speed>[, <name>[, <ce>]]

Response(s)

OK  
ERROR  
+CME ERROR: <err>

PIN	ASC0	MUX1	MUX2	MUX3
<input type="radio"/>	<input checked="" type="radio"/>	<input checked="" type="radio"/>	<input type="radio"/>	<input type="radio"/>

Reference(s)

GSM 07.07

### Command Description

The write command selects the bearer service <name>, the data rate <speed> and the connection element <ce> to be used when data calls are originated. The settings also apply to mobile terminated data calls, especially when single numbering scheme calls or calls from analog devices are received (see also: [AT+CSNS](#)).

### Parameter Description

<speed><sup>(num)(&W)(&V)</sup>

0	auto bauding
4	2400 bps (V.22bis)
6	4800 bps (V.32)
[7] <sup>(&amp;F)</sup>	9600 bps (V.32)

14	14400 bps (V.34)
68	2400 bps (V.110)
70	4800 bps (V.110)
71	9600 bps (V.110)
75	14400 bps (V.110)

<name><sup>(num)&W</sup>

0<sup>(&F)</sup> asynchronous modem

<ce><sup>(num)&W</sup>

Transparent mode is not supported.

1<sup>(&F)</sup> non-transparent

**Note**

- GSM 02.02[1]: List of allowed combinations of subparameters.

## 7.21 AT+CRLP Select radio link protocol param. for orig. non-transparent data call

### Syntax

#### Test Command

AT+CRLP=?

#### Response(s)

+CRLP: (list of supported<iws>s), (list of supported<mws>s), (list of supported<T1>s), (list of supported<N2>s)

OK

#### Read Command

AT+CRLP?

#### Response(s)

+CRLP: <iws>, <mws>, <T1>, <N2>[, <verx>]

OK

#### Write Command

AT+CRLP=[<iws>[, <mws>[, <T1>[, <N2>]]]]

#### Response(s)

OK

ERROR

+CME ERROR: <err>

PIN	ASC0	MUX1	MUX2	MUX3
<input type="radio"/>	<input checked="" type="radio"/>	<input checked="" type="radio"/>	<input type="radio"/>	<input type="radio"/>

#### Reference(s)

GSM 07.07

### Command Description

Read command returns current settings for the supported RLP version 0.

The Write command sets radio link protocol (RLP) parameters used when non-transparent data calls are originated.

### Parameter Description

<iws><sup>(num)(&W)(&V)</sup>

Interworking window size (IWF to MS)

0...[10]...61<sup>(&F)</sup>

<mws><sup>(num)(&W)(&V)</sup>

Mobile window size (MS to IWF)

0...[10]...61<sup>(&F)</sup>

<T1><sup>(num)(&W)(&V)</sup>

Acknowledgement timer (T1 in 10 ms units)

48...[78]<sup>(&F)</sup>...255

<N2><sup>(num)(&W)(&V)</sup>

Re-transmission attempts N2

1...[6]<sup>(&F)</sup>...255

<verx><sup>(num)</sup>

0

RLP version number in integer format; when version indication is not present it shall equal 0.

### Notes

- RLP version 0: single-link basic version;
- RLP version 1: single-link extended version (e.g. extended by data compression);
- RLP version 2: multi-link version.
- Compression and multi-link are not supported.

## 7.22 AT+CLCC List current calls of ME

### Syntax

Test Command

```
AT+CLCC=?
```

Response(s)

```
OK
```

Exec Command

```
AT+CLCC
```

Response(s)

```
[+CLCC: <idx>, <dir>, <stat>, <mode>, <empty>[, <number>, <type>[, <alpha>]] ]
[+CLCC: <idx>, <dir>, <stat>, <mode>, <empty>[, <number>, <type>[, <alpha>]] ]
[+CLCC: ...]
OK
ERROR
+CME ERROR
```

PIN	ASC0	MUX1	MUX2	MUX3
●	●	●	●	●

Reference(s)

```
GSM 07.07
```

### Command Description

The exec command returns a list of current calls of ME. If command is successful, but no calls are available, no information response is sent to TE.

### Parameter Description

<idx><sup>(num)</sup>

call identification number as described in GSM02.30 subclause 4.5.5.1; this number can be used in [AT+CHLD](#) command operations

<dir><sup>(num)</sup>

0	mobile originated call (MOC)
1	mobile terminated call (MTC)

<stat><sup>(num)</sup>

state of the call

0	active
---	--------

1	held
2	dialing (MOC)
3	alerting (MOC)
4	incoming (MTC)
5	waiting (MTC)

<mode><sup>(num)</sup>

bearer/teleservice

0	voice
1	data
2	fax
3	voice followed by data, voice mode (only in connection with single numbering scheme <a href="#">AT+CSNS</a> )
4	alternating voice/data, voice mode (only in connection with single numbering scheme <a href="#">AT+CSNS</a> )
5	alternating voice/fax, voice mode (only in connection with single numbering scheme <a href="#">AT+CSNS</a> )
6	voice followed by data, data mode (only in connection with single numbering scheme <a href="#">AT+CSNS</a> )
7	alternating voice/data, data mode (only in connection with single numbering scheme <a href="#">AT+CSNS</a> )
8	alternating voice/fax, fax mode (only in connection with single numbering scheme <a href="#">AT+CSNS</a> )
9	unknown

<mpty><sup>(num)</sup>

0	call is not one of multiparty (conference) call parties
1	call is one of multiparty (conference) call parties

<number><sup>(str)</sup>

phone number in format specified by <type>

<type><sup>(num)</sup>

type of address octect

145	dialling string <number> includes international access code character '+'
129	otherwise

<alpha><sup>(str)(+CSCS)</sup>

Alphanumeric representation of <number> corresponding to the entry found in phonebook; used character set should be the one selected with command [AT+CSCS](#) (Select TE Character Set).

The maximum displayed length of <alpha> is 16 characters. If the <alpha> has more than 16 characters, only the first 15 characters will be displayed. To indicated an overflow, a special character will be used as the 16th character. This will be a space if the character set selected with [AT+CSCS](#) is 'GSM', or 'E400' if the character set



is 'UCS2'.

Due to time constraints on the necessary evaluation of the phonebook, this parameter may show a default value during early call phases (e.g. for `<stat>`= "dialling", "incoming" or "alerting"), even if a phonebook entry is present for the number concerned.

**Note**

- teleservices other than voice, data, fax are not fully supported by ME. They are used only in connection with the handling for `AT+CSNS`, and may therefore occur in parameter `<mode>` for mobile terminated calls.

## 7.23 AT+CR Service reporting control

### Syntax

#### Test Command

AT+CR=?

#### Response(s)

+CR: (list of supported <mode>s)  
OK

#### Read Command

AT+CR?

#### Response(s)

+CR: <mode>  
OK

#### Write Command

AT+CR=<mode>

#### Response(s)

OK

PIN	ASC0	MUX1	MUX2	MUX3
<input type="radio"/>	<input checked="" type="radio"/>	<input checked="" type="radio"/>	<input type="radio"/>	<input type="radio"/>

#### Reference(s)

GSM 07.07

### Intermediate Result Code

If enabled, an intermediate result code is transmitted at the point during connect negotiation when the TA has determined the speed and quality of service to be used, before any error control or data compression reports are transmitted, and before any final result code (e.g. CONNECT) appears.

+CR: <serv>

### Command Description

Configures the TA whether or not to transmit an intermediate result code +CR: <serv> to TE when a call is being set up.

### Parameter Description

`<mode>`<sup>(num)(&W)(&V)</sup>

0 <sup>(&amp;F)</sup>	disable
1	enable

`<serv>`<sup>(str)</sup>

"REL ASYNC"	asynchronous non-transparent
-------------	------------------------------

### Notes

- The PLMN influences the second air interface (to the terminator), therefore another mode may be established from the network.
- Setting the value of `<mode>` to 1 may lead to connection failure, if the application (e.g. WinFax) waits for default result code/URC.
- The PIN is required for the write command only.

## 7.24 AT+CRC Set Cellular Result Codes for incoming call indication

### Syntax

Test Command

AT+CRC=?

Response(s)

+CRC: (list of supported <mode>s)  
OK

Read Command

AT+CRC?

Response(s)

+CRC: <mode>  
OK

Write Command

AT+CRC=[<mode>]

Response(s)

OK

PIN	ASC0	MUX1	MUX2	MUX3
<input type="radio"/>	<input checked="" type="radio"/>	<input checked="" type="radio"/>	<input checked="" type="radio"/>	<input checked="" type="radio"/>

Reference(s)

GSM 07.07

### Unsolicited Result Code

When enabled, an incoming call is indicated to the TE with unsolicited result code +CRING: <type> instead of the normal RING.

+CRING: <type>

### Command Description

The command controls whether or not the extended format of incoming call indication is used.

### Parameter Description

<mode><sup>(num)(&W)(&V)</sup>

[0] <sup>(&amp;F)</sup>	disable extended format
1	enable extended format

<type><sup>(str)</sup>

"REL ASYNC"	asynchronous non-transparent
"FAX"	facsimile
"VOICE"	voice

**Note**

- Setting the value of <mode> to 1 may lead to connection failure, if the application (e.g. WinFax) waits for default result code/URC.

## 7.25 AT+CSNS Single Numbering Scheme

### Syntax

Test Command

AT+CSNS=?

Response(s)

+CSNS: (list of supported <mode>s)  
OK

Read Command

AT+CSNS?

Response(s)

+CSNS: <mode>  
OK

Write Command

AT+CSNS=[<mode>]

Response(s)

OK

PIN	ASC0	MUX1	MUX2	MUX3
<input type="radio"/>	<input checked="" type="radio"/>	<input checked="" type="radio"/>	<input checked="" type="radio"/>	<input checked="" type="radio"/>

Reference(s)

GSM 07.07

### Command Description

The [AT+CSNS](#) command enables the ME to accept incoming calls when no bearer capability information is provided with the call, e.g. single numbering scheme calls or calls originating from analog devices.

### Parameter Description

<mode><sup>(num)</sup>

[0] <sup>(D)</sup>	Voice: Each call received without bearer element is assumed to be speech
2	Fax: Each call received without bearer element is assumed to be an incoming fax.
4	Data: Each call received without bearer element is assumed to be a data call. Please take into account that the bearer service parameters set with <a href="#">AT+CBST</a> apply to all data calls including those received without bearer capability.

**Notes**

- The command must be set before the call comes. By default, when you do not modify the settings, all calls received without bearer element are assumed to be voice.
- The setting will be automatically saved when you power down the GSM engine with [AT^SMSO](#), provided that PIN authentication has been done. This value will be restored when PIN authentication is done again.

## 7.26 AT^SCNI List Call Number Information

### Syntax

Test Command

AT^SCNI=?

Response(s)

OK

Exec Command

AT^SCNI

Response(s)

^SCNI: <id><sub>1</sub>[,<cs>[,<number>,<type>]]

^SCNI: <id><sub>2</sub>[,<cs>[,<number>,<type>]]

[...]

OK

ERROR

+CME ERROR: <err>

PIN	ASC0	MUX1	MUX2	MUX3
●	●	●	●	●

Reference(s)

SIEMENS

### Command Description

TA returns a list of current calls of ME.

### Parameter Description

<id><sup>(num)</sup>

call identification number as described in GSM 02.30[19] subclause 4.5.5.1; this number can be used in [AT+CHLD](#) command operations

1...7

<cs><sup>(num)</sup>

Call status of respective call number (first parameter)

0	call hold
1	call in progress
2	waiting call



<number><sup>(str)</sup>

string type phone number in format specified by <type>

<type><sup>(num)</sup>

type of address octet in integer format; 145 when dialling string includes international access code character "+", otherwise 129

**Note**

- See also GSM 07.07: [AT+CLCC](#)

## 7.27 AT^SLCD Display Last Call Duration

### Syntax

Test Command

```
AT^SLCD=?
```

Response(s)

```
OK
```

Exec Command

```
AT^SLCD
```

Response(s)

```
^SLCD: <time>
```

```
OK
```

PIN	ASC0	MUX1	MUX2	MUX3
●	●	●	●	●

Reference(s)

```
SIEMENS
```

### Command Description

TA returns last call duration or current call duration.

### Parameter Description

<time><sup>(str)</sup>

Format is "hh:mm:ss", where characters indicate hours, minutes, seconds; E.g. 22:10:00 "22:10:00"

Max value is 9999:59:59

## 7.28 AT^STCD Display Total Call Duration

### Syntax

Test Command

```
AT^STCD=?
```

Response(s)

```
OK
```

Exec Command

```
AT^STCD
```

Response(s)

```
^STCD: <time>
```

```
OK
```

PIN	ASC0	MUX1	MUX2	MUX3
●	●	●	●	●

Reference(s)

```
SIEMENS
```

### Command Description

TA returns total call duration (accumulated duration of all calls).

### Parameter Description

<time><sup>(str)</sup>

Format is "hh:mm:ss", where characters indicate hours, minutes, seconds; E.g. 22:10:00 "22:10:00"

Max value is 9999:59:59

### Note

- The Total Call Duration will not be reset by power off or other means.

## 8. Network Service Commands

The AT Commands described in this chapter are related to various network services. More Commands related to this area can be found at the chapter "Supplementary Service Commands".

### 8.1 AT+COPN Read operator names

#### Syntax

Test Command

```
AT+COPN=?
```

Response(s)

```
OK
```

Exec Command

```
AT+COPN
```

Response(s)

```
+COPN: <numeric>, <alphan>
```

```
+COPN: ...
```

```
OK
```

PIN	ASC0	MUX1	MUX2	MUX3
●	●	●	●	●

Reference(s)

```
GSM 07.07
```

#### Command Description

TA returns the list of operator names from the ME. Each operator code <numeric> that has an alphanumeric equivalent <alphan> in the ME memory is returned. See also: [AT^SPLM](#).

#### Parameter Description

<numeric><sup>(str)</sup>

Operator in numeric form; GSM location area identification number.

<alphan><sup>(str)</sup>

Operator in long alphanumeric format; can contain up to 16 characters.

## 8.2 AT+COPS Operator selection

This command can be used to query the present status of the ME's network registration and to determine whether automatic or manual network selection shall be used.

**Automatic mode:** Lets the ME automatically search for the home operator. If successful the ME registers to the home network and enters the IDLE mode. If the home network is not found, ME goes on searching. If then a permitted operator is found, ME registers to this operator. If no operator is found the ME remains unregistered.

**Manual mode:** Desired operator can be manually entered, using the AT+COPS write command syntax. If operator is found, ME registers to this operator immediately. If the selected operator is forbidden, the ME remains unregistered.

**Manual/automatic:** In this mode, the ME first tries to find the operator that was manually entered. If the ME fails to register to this operator, then it starts to select automatically another network.

### Syntax

#### Test Command

```
AT+COPS=?
```

#### Response(s)

```
+COPS:[list of supported:( <stat>, long alphanumeric <oper>, , numeric <oper>)][, , list of supported  
<mode>s, list of supported <format>s]  
OK  
ERROR  
+CME ERROR
```

#### Read Command

```
AT+COPS?
```

#### Response(s)

```
+COPS:<mode>[, <format>[, <oper>]]  
OK  
ERROR  
+CME ERROR
```

#### Write Command

```
AT+COPS=<mode>[, <format>[, <oper>]]
```

#### Response(s)

```
OK  
ERROR  
+CME ERROR
```

PIN	ASC0	MUX1	MUX2	MUX3
<input type="radio"/>	<input checked="" type="radio"/>	<input checked="" type="radio"/>	<input checked="" type="radio"/>	<input checked="" type="radio"/>

#### Reference(s)

GSM 07.07

### Command Description

The test command returns a list of quadruplets, each representing an operator present in the network. Any of the formats may be unavailable and will then be an empty field (,,). The list of operators comes in the following order: Home network, networks referenced in SIM, and other networks.

The read command returns the current `<mode>` and the currently selected operator. If no operator is selected, `<format>` and `<oper>` are omitted.

The write command forces an attempt to select and register the GSM network operator. If the selected operator is not available, no other operator will be selected (except `<mode>=4`). The selected operator name format will apply to further read commands (+COPS?), too.

### Parameter Description

`<stat>`<sup>(num)</sup>

Status

0	unknown
1	operator available
2	operator current
3	operator forbidden

`<oper>`<sup>(&V)</sup>

Operator

Parameter is stored non-volatile to the SIM. Operator as per `<format>`. The numeric format is the GSM Location Area Identification number which consists of a 3-digit country code plus a 2- or 3-digit network code.

`<mode>`<sup>(num)&(V)</sup>

parameter values 0 and 1 are stored non-volatile in the ME

0 <sup>(D)</sup>	automatic mode; <code>&lt;oper&gt;</code> field is ignored
1	manual operator selection Write command requires <code>&lt;oper&gt;</code> . <code>&lt;format&gt;</code> value shall be 2. Read command returns the current <code>&lt;mode&gt;</code> and the currently selected <code>&lt;oper&gt;</code> . If no operator is selected, <code>&lt;format&gt;</code> and <code>&lt;oper&gt;</code> are omitted.
2	manual deregister from network and remain unregistered until <code>&lt;mode&gt;=0,1,4</code> is selected
3	set only <code>&lt;format&gt;</code> (for read command +COPS?)
4	automatic, manual selected; if manual selection fails, automatic mode ( <code>&lt;mode&gt;=0</code> ) is entered ( <code>&lt;oper&gt;</code> field will be present)

`<format>`<sup>(num)&(W)&(V)</sup>

parameter can be stored non-volatile in the user profile using AT&W

0 <sup>(&amp;F)</sup>	long format alphanumeric <code>&lt;oper&gt;</code> ; up to 16 characters
2	numeric <code>&lt;oper&gt;</code> ; GSM Location Area Identification number

### Note

- `AT+COPS` settings are effective over all interfaces of the TC35i.

## 8.3 AT+CREG Network registration

### Syntax

#### Test Command

AT+CREG=?

#### Response(s)

+CREG: (list of supported<n>s)  
OK

#### Read Command

AT+CREG?

#### Response(s)

+CREG: <n>, <stat>[, <lac>, <ci>]  
OK  
ERROR  
+CME ERROR: <err>

#### Write Command

AT+CREG=[<n>]

#### Response(s)

OK  
ERROR  
+CME ERROR: <err>

PIN	ASC0	MUX1	MUX2	MUX3
<input type="radio"/>	<input checked="" type="radio"/>	<input checked="" type="radio"/>	<input checked="" type="radio"/>	<input checked="" type="radio"/>

#### Reference(s)

GSM 07.07

### Unsolicited Result Codes

#### URC 1

If <n>=1 and there is a change in the ME network registration status:

+CREG: <stat>

#### URC 2

If <n>=2 and there is a change in the ME network registration status or a change of the network cell:

+CREG: <stat>[, <lac>, <ci>]

### Command Description

Read command returns the URC presentation mode `<n>` and an integer `<stat>` that shows the registration status of the ME. The location information elements `<lac>` and `<ci>` are returned only when `<n>=2` and ME is registered to the network.

Use the write command to select the type of URC. Two types of URCs are available:

`<n>=1: +CREG:<stat>`

`<n>=2: +CREG:<stat>[,<lac>,<ci>]`

### Parameter Description

<code>&lt;n&gt;</code> <sup>(num)(&amp;W)(&amp;V)</sup>	
0(&F)	disable URCs
1	enable URC +CREG:<stat> to report status of network registration
2	enable URC +CREG:<stat>[,<lac>,<ci>] to report status of network registration including location information. Please note that optional parameters will not be displayed during call.
<code>&lt;stat&gt;</code> <sup>(num)(&amp;V)</sup>	
0	Not registered, ME is currently not searching for new operator There is a technical problem. User intervention is required. Yet, emergency calls can be made if any network is available. Probable causes: <ul style="list-style-type: none"> <li>• No SIM-Card available</li> <li>• No PIN entered</li> <li>• No valid Home PLMN-Entry found on the SIM</li> </ul>
1	Registered to home network
2	Not registered, but ME is currently searching for a new operator. The ME searches for an available network. Failure to log in until after more than a minute may be due to one of the following causes: <ul style="list-style-type: none"> <li>• No network available or insufficient Rx level.</li> <li>• The ME has no access rights to the networks available.</li> <li>• Networks from the SIM list of allowed networks are around, but login fails due to one of the following reasons: <ul style="list-style-type: none"> <li>- #11 ... PLMN not allowed</li> <li>- #12 ... Location area not allowed</li> <li>- #13 ... Roaming not allowed in this location area</li> </ul>                     After this, the search will be resumed (if automatic network search is enabled).</li> <li>• The Home PLMN or an allowed PLMN is available, but login is rejected by the cell (reasons: Access Class or LAC).</li> </ul> If at least one network is available, emergency calls can be made.
3	Registration denied <ul style="list-style-type: none"> <li>• If automatic network search is enabled: Authentication or registration fails after Location Up-date Reject due to one of the following causes: <ul style="list-style-type: none"> <li>- #2 ... IMSI unknown at HLR</li> <li>- #3 ... Illegal MS</li> </ul> </li> </ul>



- #6 ... Illegal ME

Either the SIM or the MS or the ME are unable to log into any network. User intervention is required. Emergency calls can be made, if any network is available.

- Only if manual network search is enabled:  
Manual registration fails after Location Update Reject due to the following causes:
  - #2 ... IMSI unknown at HLR
  - #3 ... Illegal MS
  - #6 ... Illegal ME
  - #11 ... PLMN not allowed
  - #12 ... Location area not allowed
  - #13 ... Roaming not allowed in this location area

No further attempt is made to search or log into a net-work. Emergency calls can be made if any network is available.

4	Unknown (not used)
5	Registered, roaming The ME is registered at a foreign network (national or international network)

<lac><sup>(str)</sup>

Two byte location area code in hexadecimal format (e.g. "00C3" equals 193 in decimal).

<ci><sup>(str)</sup>

Two byte cell ID in hexadecimal format.

### Note

- Optional parameters will not be displayed during a call.

### Example

AT+CREG=2	Activates extended URC mode.
OK	
AT+COPS=0	Forces ME to automatically search network operator
OK	
+CREG: 2	URC reports that ME is currently searching.
+CREG: 1, "0145", "291A"	URC reports that operator has been found.

## 8.4 AT+CSQ Signal quality

### Syntax

Test Command

AT+CSQ=?

Response(s)

+CSQ: (list of supported<rssi>s), (list of supported<ber>s)  
OK

Exec Command

AT+CSQ

Response(s)

+CSQ: <rssi>,<ber>  
OK

PIN	ASC0	MUX1	MUX2	MUX3
○	●	●	●	●

Reference(s)

GSM 07.07

### Command Description

TA returns received signal strength indication <rssi> and channel bit error rate <ber> from the ME.

### Parameter Description

<rssi><sup>(num)</sup>

0	-113 dBm or less
1	-111 dBm
2..30	-109... -53 dBm
31	-51 dBm or greater
99	not known or not detectable

<ber><sup>(num)</sup>

To check the bit error rate there must be a call in progress to obtain realistic values. If no call is set up, there is no BER to be determined. In this case the indicated value may be 0 or 99, depending on the SIM card.

0..7	as RXQUAL values in the table in GSM 05.08 section 8.2.4.
99	not known or not detectable

**Note**

- After using network related commands such as [AT+CCWA](#), [AT+CCFC](#), [AT+CLCK](#), users are advised to wait 3s before entering [AT+CSQ](#). This is recommended to be sure that any network access required for the preceding command has finished.

## 8.5 AT^SMONC Cell Monitoring

### Syntax

Test Command

AT^SMONC=?

Response(s)

OK

Exec Command

AT^SMONC

Response(s)

^SMONC: <MCC><sub>1</sub>, <MNC><sub>1</sub>, <LAC><sub>1</sub>, <cell><sub>1</sub>, <BSIC><sub>1</sub>, <chann><sub>1</sub>, <RSSI><sub>1</sub>, <C1><sub>1</sub>, <C2><sub>1</sub>, <MCC><sub>2</sub>,  
<MNC><sub>2</sub>, <LAC><sub>2</sub>, <cell><sub>2</sub>, <BSIC><sub>2</sub>, <chann><sub>2</sub>, <RSSI><sub>2</sub>, <C1><sub>2</sub>, <C2><sub>2</sub>, ...

OK

CME ERROR

PIN	ASC0	MUX1	MUX2	MUX3
●	●	●	●	●

Reference(s)

SIEMENS, 3GPP TS 05.08

### Command Description

The output of the exec command contains 9 values from a maximum of 7 base stations. The first base station is the serving cell.

### Parameter Description

<MCC><sup>(num)</sup>

Mobile country code

3 digits, e.g. 232

000 not decoded

<MNC><sup>(num)</sup>

Mobile network code

3 digits, e.g. 003

000 not decoded

<LAC><sup>(num)</sup>

Location area code

4 digits, e.g. 3010

0000 not decoded

<cell><sup>(num)</sup>

Cell identifier

4 hexadecimal digits, e.g. 4EAF

0000 not decoded

<BSIC><sup>(num)</sup>

Base station identity code

2 digits, e.g. 32

00 not decoded

<chann><sup>(num)</sup>

ARFCN (Absolute Frequency Channel Number)

0 not decoded. In this case, all remaining parameters related to the same channel are neither decoded. For example, a non-existing cell appears as follows:  
000,000,0000,0000,00,0,0,-,-

<RSSI><sup>(num)</sup>

Received signal level of the BCCH carrier (0..63). The indicated value is composed of the measured value in dBm plus an offset. This is in accordance with a formula specified in 3GPP TS 05.08

<C1><sup>(num)</sup>

Coefficient for base station reselection, e.g. 30. In dedicated mode, under certain conditions the parameter cannot be updated. In such cases a '-' is presented.

<C2><sup>(num)</sup>

Coefficient for base station reselection, e.g. 30. In dedicated mode, under certain conditions the parameter cannot be updated. In such cases a '-' is presented.

### Note

- To some extent, the cell monitoring commands [AT^MONI](#), [AT^MONP](#) and [AT^SMONC](#) cover the same parameters. The receiving level, for example, can be queried with all three commands. Yet the resulting values may be slightly different, even though obtained over a time period of a few seconds. This is quite normal and nothing to worry about, as the cell information is permanently updated.

## 8.6 AT^SMOND Selective Cell Monitoring

This command can be used to obtain selected cell information.

### Syntax

Test Command

```
AT^SMOND=?
```

Response(s)

```
OK
```

Exec Command

```
AT^SMOND
```

Response(s)

```
^SMOND: [<sci>][, <nci>][, <TA>][, <rssiber>]
```

```
OK
```

```
CME ERROR
```

Write Command

```
AT^SMOND=, <period>[, <format>]
```

Response(s)

```
^SMOND: <celldata>
```

```
^SMOND: <celldata>
```

```
[^SMOND: ...]
```

```
OK
```

PIN	ASC0	MUX1	MUX2	MUX3
●	●	●	●	●

Reference(s)

```
SIEMENS, 3GPP TS 05.08
```

### Command Description

The "execute" command can be used to obtain complete cell information once on request. The response format is identical to the response received for a write command with `<format>= 15`. See "Examples" for a sample output string.

The write command can be used to obtain selected cell information automatically every `<period>` seconds. Output will pause for the specified number of seconds after each output line.

To stop the presentation type "AT" or "at".

The cell or set of cells to be examined and the information to be retrieved can be specified by means of parameter `<format>`.

### Parameter Description

`<format>`<sup>(num)</sup>

integer or sum of integers each representing a class of requested information, i.e. a group of output values. parameter format can be determined by summing up the values for each of the requested classes of information. The possible values and their associated information are listed below. Value 0 is not allowed. The default value and the maximum value are 15, representing the sum of all possible class values, leading to the output of all available information.

1	include <code>&lt;sci&gt;</code> in response string <code>&lt;celldata&gt;</code>
2	include <code>&lt;nci&gt;</code> in response string <code>&lt;celldata&gt;</code>
4	include <code>&lt;TA&gt;</code> in response string <code>&lt;celldata&gt;</code>
8	include <code>&lt;rssiber&gt;</code> in response string <code>&lt;celldata&gt;</code>

`<period>`<sup>(num)</sup>

display period

1...254	display period in seconds, i.e. the period to wait before the next output of <code>&lt;celldata&gt;</code> .
---------	--

`<celldata>`<sup>(str)</sup>

a list of values describing the current radio environment of the module. The information to be included in the response string can be selected using parameter `<format>`. All values are comma-separated with no `<CR>` or `<LF>` included in the response string. possible groups of information are (in order of output): `<sci>`, `<nci>`, `<TA>` and `<rssiber>`.

`<sci>`<sup>(str)</sup>

serving cell information (comma-separated, no cr/lf included)

`<MCC>`,`<MNC>`,`<LAC>`,`<cell>`,`<BSIC>`,`<chann>`,`<RxLev>`,`<RxLev>Full`,`<RxLev>Sub`,`<RxQual>`,`<RxQual>Full`,`<RxQual>Sub`,`<Timeslot>`

if no serving cell is found, unavailable values are omitted: " ,,,,,,<RxLev>,,,0,,0"

`<nci>`<sup>(str)</sup>

neighbour cell information for neighbour cell 1 through 6 (comma-separated, no cr/lf included)

`<MCC>`<sub>1</sub>,`<MNC>`<sub>1</sub>,`<LAC>`<sub>1</sub>,`<cell>`<sub>1</sub>,`<BSIC>`<sub>1</sub>,`<chann>`<sub>1</sub>,`<RxLev>`<sub>1</sub>, (these parameters repeated for neighbour cells 2 through 6 with no CR/LF): ... `<MCC>`<sub>6</sub>,`<MNC>`<sub>6</sub>,`<LAC>`<sub>6</sub>,`<cell>`<sub>6</sub>,`<BSIC>`<sub>6</sub>,`<chann>`<sub>6</sub>,`<RxLev>`<sub>6</sub>

an unavailable cell appears as follows: " ,,,,,,0"

`<rssiber>`<sup>(str)</sup>

Values for RSSI and BER (comma-separated, no cr/lf included)

`<RSSI>`,`<BER>`

`<MCC>`<sup>(num)</sup>

Mobile country code

3 digits, e.g. 232

000	not decoded
-----	-------------

<MNC><sup>(num)</sup>

Mobile network code

3 digits, e.g. 003

000 not decoded

<LAC><sup>(num)</sup>

Location area code

4 digits, e.g. 3010

0000 not decoded

<cell><sup>(num)</sup>

Cell identifier

4 hexadecimal digits, e.g. 4EAF

0000 not decoded

<BSIC><sup>(num)</sup>

Base station identity code

2 digits, e.g. 32

00 not decoded

<chann><sup>(num)</sup>

ARFCN (Absolute Frequency Channel Number)

<RxLev><sup>(num)</sup>

Received signal level in dBm

<RxQual><sup>(num)</sup>

Received signal quality as defined in GSM05.08

<Timeslot><sup>(num)</sup>

assigned timeslot. If mobile is in idle mode, timeslot 0 (BCCH timeslot) will be indicated.

0...8 assigned timeslot

<TA><sup>(num)</sup>

Timing advance for the serving cell, in bits.

<RSSI><sup>(num)</sup>

Receive Level, with value 99 indicating "not known or not detectable"

0...31 signifying the RSSI range from -113dBm or less ("0") to -51dBm or greater ("31") in steps of -2dBm (e.g. "1" = -111 dBm, "2" = -109 dBm ..., "30" = -53dBm)



<BER><sup>(num)</sup>

Bit Error rate, with value 99 indicating "not known or not detectable"

0...7 as RXQUAL values RXQUAL0 to RXQUAL7 in GSM 05.08 section 8.2.4

### Notes

- To some extent, the cell monitoring commands [AT^SMOND](#), [AT^MONI](#), [AT^MONP](#) and [AT^SMONC](#) cover the same parameters. The receiving level, for example, can be queried with all three commands. Yet the resulting values may be slightly different, even though obtained over a time period of a few seconds. This is quite normal and nothing to worry about, as the cell information is permanently updated.
- During a connection, not all of the neighbour cell information can be decoded. The following restrictions apply:
  - Information is updated only for neighbour cells that have already been visible at connection setup, and continue to be included in the list of cells.
  - New neighbour cells added to the list, for example after handover, cannot be displayed until the connection is released.
- Parameters not available or invalid are left out. In this case, two consecutive commas are presented. For example, if <format> equals 1, the resulting response with parameter <cell> unavailable would read:  
^SMOND:  
<MCC>,<MNC>,<LAC>,,<BSIC>,<chann>,<RxLev>,<RxLev>Full,<RxLev>Sub,<RxQual>,<RxQual>Full,<RxQual>Sub,<Timeslot>  
OK
- Parameter sets not requested with input parameter <format> will be left out altogether. For example, the response for <format>= 12 will read:  
^SMOND:<TA>,<RSSI>,<BER>  
OK
- For compatibility with earlier products and to support legacy applications, often any input character will stop the periodic output of the write command. But since this applies only in certain cases (depending on the settings of [Chapter 4.10, page 100](#) and [Chapter 4.11, page 103](#)), it is recommended to always use "at" or "AT".

### Examples

#### EXAMPLE 1

<pre>at^smond ^SMOND:262,01,3008,6060,32,100,66,,0,,0 , 262,01,3008,DDD1,35,92,80, 262,01,3008,,31,96,83, 262,01,3008,BFBF,35,27,86, 262,01,3008,,32,98,88, 262,01,3008,BB44,32,90,89, 262,01,3008,8307,31,22,93, 2,23,99</pre>	<p>execute command</p> <p>response as for write command with &lt;format&gt;=15 (Line breaks inserted for readability in print)</p>
---	--

EXAMPLE 2

at^smond=1	write command <code>&lt;period&gt;= 1</code> : wait 1 second between consecutive output lines. <code>&lt;format&gt;</code> is assumed 15 (full output) by default
^SMOND:262,01,3008,6060,32,100,66,,,0,,,0	(Line breaks inserted for readability in print)
,	
262,01,3008,DDD1,35,92,80,	
262,01,3008,,31,96,81,	
262,01,3008,BFBE,35,27,85,	
262,01,3008,,32,98,87,	
262,01,3008,BB44,32,90,87,	
262,01,3008,8307,31,22,93,	
2,23,99	
	Wait 15s for next output line
^SMOND:262,01,3008,6060,32,100,66,,,0,,,0	(Line breaks inserted for readability in print)
,	
262,01,3008,DDD1,35,92,81,	
262,01,3008,,31,96,83,	
262,01,3008,BFBE,35,27,84,	
262,01,3008,,32,98,87,	
262,01,3008,BB44,32,90,91,	
262,01,3008,8307,31,22,93,	
2,23,99	
	Wait 15s for next output line
^SMOND:262,01,3008,6060,32,100,67,,,0,,,0	(Line breaks inserted for readability in print)
,	
262,01,3008,DDD1,35,92,81,	
262,01,3008,,31,96,82,	
262,01,3008,BFBE,35,27,85,	
262,01,3008,,32,98,89,	
262,01,3008,BB44,32,90,91,	
262,01,3008,8307,31,22,93,	
2,23,99	
	stop the output by sending a character over the serial interface
OK	write command terminated successfully
at^smond=240,5	<code>&lt;period&gt;= 240</code> Wait 4 minutes before the output of each new line.
^SMOND:262,01,3008,6060,32,100,68,,,0,,,0	<code>&lt;format&gt;= 5</code> indicates only serving cell information
,2	<code>&lt;sci&gt;</code> and Timing Advance <code>&lt;TA&gt;</code> are requested.
	stop the output by sending a character over the serial interface
OK	write command terminated successfully

## 8.7 AT^MONI Monitor idle mode and dedicated mode

### Syntax

Test Command

```
AT^MONI=?
```

Response(s)

```
^MONI : (list of supported <period>s)  
OK
```

Exec Command

```
AT^MONI
```

Response(s)

```
See: 8.7.1  
OK
```

Write Command

```
AT^MONI=<period>
```

Response(s)

```
See: 8.7.1  
OK
```

PIN	ASC0	MUX1	MUX2	MUX3
○	●	●	●	●

Reference(s)

SIEMENS

### Command Description

The execute command can be used to retrieve the cell parameters of the serving/dedicated cell on request.

The write command can be used to retrieve information of the serving/dedicated cell automatically every <period> seconds. To stop the presentation type "AT" or "at".

### Parameter Description

<period><sup>(num)</sup>

Display period in seconds

1...254

### Notes

- The two header lines (see 8.7.1) are output after every ten data lines.

- The length of following output lines exceeds 80 characters. Therefore a terminal program may draw a carriage return on a screen. However, this is not part of the response.

### 8.7.1 AT^MONI responses

ME is not connected:

a) ME is camping on a cell and registered to the network:

```
Serving Cell                                I Dedicated channel
chann rs  dBm  PLMN  LAC cell NCC BCC PWR RXLev C1 I chann TS timAdv PWR  dBm Q ChMod
1013  21  -71 00101 1001 0103  7  7  33  -105 33 I      No connection
```

b) ME is camping on a cell but not registered to the network (only emergency call allowed):

```
Serving Cell                                I Dedicated channel
chann rs  dBm  PLMN  LAC cell NCC BCC PWR RXLev C1 I chann TS timAdv PWR  dBm Q ChMod
1013  21  -71 00101 1001 0103  7  7  33  -105 33 I      Limited Service
```

c) ME camping on a cell, but searching for a better cell (cell reselection):

```
Serving Cell                                I Dedicated channel
chann rs  dBm  PLMN  LAC cell NCC BCC PWR RXLev C1 I chann TS timAdv PWR  dBm Q ChMod
1013  21  -71 00101 1001 0103  7  7  33  -105 33 I      Cell Reselection
```

d) ME is searching and could not (yet) find a suitable cell:

```
Serving Cell                                I Dedicated channel
chann rs  dBm  PLMN  LAC cell NCC BCC PWR RXLev C1 I chann TS timAdv PWR  dBm Q ChMod
Searching
```

ME is connected (Call in progress):

```
Serving Cell                                I Dedicated channel
chann rs  dBm  PLMN  LAC cell NCC BCC PWR RXLev C1 I chann TS timAdv PWR  dBm Q ChMod
1013  19  -76 00101 1001 0103  7  7  33  -105 33 I 1015  1    0  5  -76 0 S_HR
```

Columns for Serving Cell:

Column	Description
chann	ARFCN (Absolute Frequency Channel Number) of the BCCH carrier
rs	RSSI value 0 - 63 (RSSI = Received signal strength indication)
dBm	receiving level of the BCCH carrier in dBm
PLMN	PLMN ID code
LAC	location area code, see note below
cell	cell ID, see note below
NCC	PLMN colour code
BCC	base station colour code

Column	Description
PWR	maximal power level used on RACH channel in dBm
RXLv	minimal receiving level (in dBm) to allow registration
C1	coefficient for base station selection

Columns for Dedicated channel:

Column	Description
chann	ARFCN (Absolute Frequency Channel Number) of the TCH carrier Note: <chann> = h indicates frequency hopping.
TS	timeslot number
timAdv	timing advance in bits
PWR	current power level
dBm	receiving level of the traffic channel carrier in dBm
Q	receiving quality (0-7)
ChMod	channel mode (S_HR: Half rate, S_FR: Full rate, S_EFR: Enhanced Full Rate)

## 8.7.2 Service states

Depending on the service state, an additional textual output is generated (refer also to the response examples):

- 'Searching' - The MS is searching, but could not (yet) find a suitable cell. This output appears after restart of the MS or after loss of coverage.
- 'No connection' - The MS is camping on a cell and registered to the network. The service state is 'idle', i.e. there is no connection established or a dedicated channel in use.
- 'Cell Reselection' - The MS has not yet lost coverage but is searching for a better cell, since the cell reselection criterion is fulfilled.
- 'Limited Service' - The MS is camping on a cell but not registered to the network. Only emergency calls are allowed. The MS enters this state, for example, when
  - no SIM card is inserted, or PIN has not been given,
  - neither Home PLMN nor any other allowed PLMN are found,
  - registration request was not answered or denied by the network (use command AT+CREG to query the registration status),
  - authentication failed.

## 8.7.3 Notes

- The parameters LAC and cell are presented as hexadecimal digits, the remaining parameters are composed of decimal digits.
- If the radio cell changes during a connection, the parameters PWR, RXLv and C1 of the 'Serving Cell' part cannot be updated under certain conditions and therefore, are displayed as "-" (for conditions see also [AT+CREG](#)). This is because the MS does not update the cell selection and reselection parameters since, in this mode, they are not relevant for operation. When the connection ends, and the mobile is back to IDLE mode, correct values will be given.  
If the radio cell changes during a connection, it normally takes 1 or 2 seconds to update the parameters cell,

NCC and BCC. Until the information is received from the new base station, the default values will be shown instead: cell="0000", NCC="-", BCC="-".

- If the BS supports frequency hopping during a connection, the dedicated channel (parameter chann) is not stable. This mode is indicated by chann = 'h'.
- To some extent, the cell monitoring command [AT^SMONC](#) covers the same parameters. The receiving level, for example, can be queried with both commands. Yet the resulting values may be slightly different, even though obtained over a time period of a few seconds. This is quite normal and nothing to worry about, as the cell information is permanently updated.
- for compatibility with earlier products and to support legacy applications, any input character may be used to stop the output in certain cases (depending on the settings of [Chapter 4.10, page 100](#) and [Chapter 4.11, page 103](#)).

## 8.8 AT^MONP Monitor neighbour cells

### Syntax

Test Command

```
AT^MONP=?
```

Response(s)

```
^MONP : (list of supported <period>s)  
OK
```

Exec Command

```
AT^MONP
```

Response(s)

```
See: 8.8.1  
OK
```

Write Command

```
AT^MONP=<period>
```

Response(s)

```
See: 8.8.1  
OK
```

PIN	ASC0	MUX1	MUX2	MUX3
○	●	●	●	●

Reference(s)

SIEMENS

### Command Description

This command can be used to obtain information of up to six neighbour cells on request.

This command can be used to retrieve information of up to six neighbour cells automatically every n seconds. To stop the presentation type "at" or "AT".

### Parameter Description

<period><sup>(num)</sup>

Display period in seconds

1...254

### Note

- Due to the fact that not all necessary information of the neighbour cells can be decoded during a connection,

there are several constraints to be considered:

- Only neighbour cells that have already been visible in IDLE mode will be further updated, as long as they are still included in the list.
- Though new neighbour cells can be added to the list (e.g. due to handover), their C1 and C2 parameters cannot be displayed until the connection is released. In this case "-" is presented for C1 and C2.
- To some extent, the cell monitoring command `AT^SMONC` covers the same parameters. The receiving level, for example, can be queried with both commands. Yet the resulting values may be slightly different, even though obtained over a time period of a few seconds. This is quite normal and nothing to worry about, as the cell information is permanently updated.
- For compatibility with earlier products and to support legacy applications, any input character may be used to stop the output in certain cases (depending on the settings of [Chapter 4.10, page 100](#) and [Chapter 4.11, page 103](#)).

### 8.8.1 AT^MONP responses

Response of `AT^MONP` (Example):

```

chann rs  dBm MCC MNC BCC  C1  C2
 653  26  -84 262  07   0  22  22
 660  20  -90 262  07   3  16  16
 687  19  -91 262  07   1  15  15
 678  14  -96 262  07   3  10  10
 671  14  -96 262  07   1  10  10
 643  10 -100 262  07   7   6   6

```

Column	Description
Chann	ARFCN (Absolute Radio Frequency Channel Number) of the BCCH carrier
rs	RSSI value 0 - 63 (RSSI = Received signal strength indication)
dBm	Receiving level in dBm
MCC	Mobile Country Code (first part of the PLMN code)
MNC	Mobile Network Code (second part of the PLMN code)
BCC	Base Station colour code
C1	cell selection criterion
C2	cell reselection criterion



## 8.9 AT^SALS Alternate Line Service

The `AT^SALS` command is designed to support Alternate Line Service. This allows the subscriber to use two voice numbers on the same SIM card (service requires a dual line SIM card).

### Syntax

Test Command

```
AT^SALS=?
```

Response(s)

```
^SALS: possible status of <view>s), (list of supported <line>s)
```

```
OK
```

Read Command

```
AT^SALS?
```

Response(s)

```
^SALS: presentation mode of <view>, current <line>
```

```
OK
```

```
ERROR
```

Write Command

```
AT^SALS=<view> [, <line>]
```

Response(s)

```
OK
```

```
ERROR
```

PIN	ASC0	MUX1	MUX2	MUX3
●	●	●	●	●

Reference(s)

```
SIEMENS
```

### Unsolicited Result Code

If switched on with `<view>=1`:

```
^SALS: <line>
```

Indicates the line used by an incoming call.

### Command Description

The read command returns the presentation mode of `<view>` and the currently selected `<line>`.

The write command enables or disables the presentation mode of `<view>` and selects the preferred `<line>`.

### Parameter Description

`<view>`<sup>(num)</sup>

Controls the presentation mode of the URC "`^SALS`" which indicates the line number used by an incoming call:

0(&F)	Disables indication of the called line
1	Enables indication of the called line

`<line>`<sup>(num)</sup>

Selects the line to be used for outgoing calls.

[1]	ALS Line 1
2	ALS Line 2

### Notes

- The selected `<line>` will be saved at non-volatile Flash memory and thus retained after Power Down.
- The `<line>` will be reset by `AT&F` and `ATZ` and afterwards saved at non-volatile memory too.
- The `<view>` will be reset after Power Down as well as by `ATZ` or `AT&F`.
- If a non ALS SIM is inserted, the `<line>` will be reset to line 1 as well.

### Example

```
AT^SALS=1,1      Line 1 has been selected for outgoing calls. "^SALS" URC is enabled.
RING            You receive a notification that you have an incoming call on line 2.
^SALS: 2
```

## 8.10 AT^SHOM Display Homezone

### Syntax

Test Command

```
AT^SHOM=?
```

Response(s)

```
OK
```

Exec Command

```
AT^SHOM
```

Response(s)

```
^SHOM: <homezonestate>
```

```
OK
```

```
ERROR
```

```
+CME ERROR: <err>
```

PIN	ASC0	MUX1	MUX2	MUX3
<input type="radio"/>	<input checked="" type="radio"/>	<input checked="" type="radio"/>	<input checked="" type="radio"/>	<input checked="" type="radio"/>

Reference(s)

```
SIEMENS
```

### Command Description

TA returns homezone state. Result is valid only, if network registration state [<stat>](#) is 1 (registered) (see [AT+CREG](#)).

Feature is available only for supported network operators (Viag, One2One, Orange and LCI) and requires a suitable SIM card. If the homezone feature is not supported by the network operator or SIM card, result is always 0.

### Parameter Description

[<homezonestate>](#)<sup>(num)</sup>

0	ME is out of Homezone
1	ME is within the Homezone

## 8.11 AT^SPLM Read the PLMN list

### Syntax

Test Command

```
AT^SPLM=?
```

Response(s)

```
OK  
ERROR  
+CME ERROR: <err>
```

Exec Command

```
AT^SPLM
```

Response(s)

```
^SPLM: <numeric>, long <alpha> [... ]  
OK  
ERROR  
+CME ERROR
```

PIN	ASC0	MUX1	MUX2	MUX3
●	●	●	●	●

Reference(s)

SIEMENS

### Command Description

TA returns the list of operator names from the ME. Each operator code `<numeric>` that has an alphanumeric equivalent `<alpha>` in the ME memory is returned.

### Parameter Description

`<numeric>`<sup>(str)</sup>

Operator in numeric form; GSM location area identification number

`<alpha>`<sup>(str)</sup>

Operator in long alphanumeric format; can contain up to 16 characters

### Note

- See also GSM 07.07: [AT+COPN](#), [AT+COPS](#)

## 8.12 AT^SPLR Read entry from the preferred operators list

### Syntax

#### Test Command

```
AT^SPLR=?
```

#### Response(s)

```
^SPLR:(list of supported) <indexa>s  
OK  
ERROR  
+CME ERROR: <err>
```

#### Write Command

```
AT^SPLR=<index1>[, <index2>]
```

#### Response(s)

```
^SPLR: <index1><oper>  
^SPLR: <index2><oper>  
OK  
ERROR  
+CME ERROR: <err>
```

PIN	ASC0	MUX1	MUX2	MUX3
●	●	●	●	●

#### Reference(s)

SIEMENS

### Command Description

Test command returns the whole index range supported by the SIM

Write command returns used entries from the SIM list of preferred operators with <indexa> between <index1> and <index2>. If <index2> is not given, only entry with <index1> is returned.

### Parameter Description

<index1><sup>(num)</sup>

location number to read from

<index2><sup>(num)</sup>

location number to read to

<indexa><sup>(num)</sup>

index range / index out of the range supported by the SIM between <index1> and <index2>

<oper><sup>(str)</sup>

operator in numeric form; GSM location area identification number

**Note**

- See also GSM 07.07: AT+CPOL

## 8.13 AT^SPLW Write an entry to the preferred operators list

### Syntax

#### Test Command

```
AT^SPLW=?
```

#### Response(s)

```
^SPLW:(list of supported) <index>s
```

```
OK
```

```
ERROR
```

```
+CME ERROR:
```

#### Write Command

```
AT^SPLW=<index>[, <oper>]
```

#### Response(s)

```
OK
```

```
ERROR
```

```
+CME ERROR: <err>
```

PIN	ASC0	MUX1	MUX2	MUX3
●	●	●	●	●

#### Reference(s)

SIEMENS

### Command Description

Test command returns the whole index range supported by the SIM

Write command writes an entry to the SIM list of preferred operators at location number <index>. If <index> is given but <oper> is left out, the entry is deleted. If <oper> is given but <index> is left out, <oper> is inserted in the next free location.

### Parameter Description

<index><sup>(num)</sup>

location number

<oper><sup>(str)</sup>

Operator in numeric format (GSM Location Area Identification number which consists of a 3-digit country code plus a 2- or 3-digit network code).

### Note

- See also GSM 07.07: AT+CPOL

## 9. Supplementary Service Commands

The AT Commands described in this chapter are related to the Supplementary Services offered by the GSM network.

### 9.1 AT+CACM Accumulated call meter (ACM) reset or query

#### Syntax

Test Command

```
AT+CACM=?
```

Response(s)

```
OK
```

Read Command

```
AT+CACM?
```

Response(s)

```
+CACM: <acm>
```

```
OK
```

```
ERROR
```

```
+CME ERROR: <err>
```

Write Command

```
AT+CACM=[<passwd>]
```

Response(s)

```
OK
```

```
ERROR
```

```
+CME ERROR: <err>
```

PIN	ASC0	MUX1	MUX2	MUX3
●	●	●	●	●

Reference(s)

```
GSM 07.07
```

#### Command Description

The read command returns the current ACM value.

The write command resets the Advice of Charge related to the accumulated call meter (ACM) value in SIM file EF(ACM). ACM contains the total number of home units for both the current and preceding calls.



***Parameter Description***

`<acm>`<sup>(str)</sup>

Three bytes of the current ACM value in hexadecimal format (e.g. "00001E" indicates decimal value 30) 000000 - FFFFFFFF.

`<passwd>`<sup>(str)</sup>

SIM PIN2

## 9.2 AT^SACM Advice of charge and query of ACM and ACMmax

### Syntax

#### Test Command

AT^SACM=?

#### Response(s)

^SACM: (list of supported <n>s)  
OK

#### Exec Command

AT^SACM

#### Response(s)

^SACM: <n>, <acm>, <acmMax>  
OK  
ERROR  
+CME ERROR: <err>

#### Write Command

AT^SACM=<n>

#### Response(s)

OK  
ERROR  
+CME ERROR: <err>

PIN	ASC0	MUX1	MUX2	MUX3
●	●	●	●	●

#### Reference(s)

SIEMENS

### Unsolicited Result Code

+CCCM: <ccm>

When activated, an unsolicited result code is sent when the CCM value changes, but not more often than every 10 seconds.

### Command Description

The execute command can be used to query the current mode of the Advice of Charge supplementary service, the SIM values of the accumulated call meter (ACM) and accumulated call meter maximum (ACMmax).

The write command enables or disables the presentation of unsolicited result codes to report the call charges.

### Parameter Description

<n><sup>(num)(&W)(&V)</sup>

[0] <sup>(&amp;F)</sup>	suppress unsolicited result code
1	display unsolicited result code

<acm><sup>(str)(&V)</sup>

Three bytes of the current ACM value in hexadecimal format (e.g. "00001E" indicates decimal value 30) 000000-FFFFFF

<acmMax><sup>(str)(&V)</sup>

Three bytes of the max. ACM value in hexadecimal format (e.g. "00001E" indicates decimal value 30) 000000 disable ACMmax feature 000001-FFFFFF

<ccm><sup>(str)</sup>

Three bytes of the current CCM value in hexadecimal format (e.g. "00001E" indicates decimal value 30); bytes are coded in the same way as ACMmax value in the SIM 000000-FFFFFF

### Notes

- When you power down or reset the ME with [AT+CFUN=1,1](#) the URC presentation mode will be reset to its default. To benefit from the URC it is recommended to have the setting included in the user profile saved with [AT+W](#), or to select <n>=1 every time you reboot the ME.
- See also GSM07.07: [AT+CACM](#), [AT+CAMM](#), [AT+CAOC](#).

## 9.3 AT+CAMM Accumulated call meter maximum (ACMmax) set or query

### Syntax

Test Command

```
AT+CAMM=?
```

Response(s)

```
OK
```

Read Command

```
AT+CAMM?
```

Response(s)

```
+CAMM: <acmmax>
```

```
OK
```

```
ERROR
```

```
+CME ERROR: <err>
```

Write Command

```
AT+CAMM=[<acmmax>[, <passwd>]]
```

Response(s)

```
OK
```

```
ERROR
```

```
+CME ERROR: <err>
```

PIN	ASC0	MUX1	MUX2	MUX3
●	●	●	●	●

Reference(s)

GSM 07.07

### Command Description

The read command returns the current ACMmax value.

The write command sets the Advice of Charge related to the accumulated call meter maximum value in SIM file EF (ACMmax). ACMmax contains the maximum number of home units allowed to be consumed by the subscriber.

### Parameter Description

<acmmax><sup>(str)</sup>

Three bytes of the max. ACM value in hexadecimal format (e.g. "00001E" indicates decimal value 30) 000000 disable ACMmax feature 000001-FFFFFF.

---

<passwd><sup>(str)</sup>

SIM PIN2

## 9.4 AT+CAOC Advice of Charge information

### Syntax

#### Test Command

AT+CAOC=?

#### Response(s)

+CAOC: (list of supported <mode>s)  
OK

#### Read Command

AT+CAOC?

#### Response(s)

+CAOC: <mode>  
OK

#### Exec Command

AT+CAOC

#### Response(s)

ERROR  
+CME ERROR: <err>  
If <mode>=0, TA returns the current call meter value:  
+CAOC: <ccm>  
OK

#### Write Command

AT+CAOC=[<mode>]

#### Response(s)

ERROR  
+CME ERROR: <err>  
If <mode>=0, TA returns the current call meter value.  
OK

PIN	ASC0	MUX1	MUX2	MUX3
-----	------	------	------	------

●	●	●	●	●
---	---	---	---	---

#### Reference(s)

GSM 07.07

### Command Description

Execute command returns the current call meter value.

The write command sets the Advice of Charge supplementary service function mode.

### ***Parameter Description***

`<mode>`<sup>(num)&V</sup>

0                                      query CCM value

`<ccm>`<sup>(str)</sup>

Three bytes of the current CCM value in hexadecimal format (e.g. "00001E" indicates decimal value 30); bytes are similarly coded as ACMmax value in the SIM 000000-FFFFFF.

## 9.5 AT+CCUG Closed User Group

### Syntax

#### Test Command

AT+CCUG=?

#### Response(s)

+CCUG: list of supported <n>, range of supported <index>, range of supported <info>

OK

ERROR

+CME ERROR

#### Read Command

AT+CCUG?

#### Response(s)

+CCUG: <n>, <index>, <info>

OK

ERROR

+CME ERROR

#### Write Command

AT+CCUG=[[<n>][, <index>][, <info>]]

#### Response(s)

OK

ERROR

+CME ERROR

PIN	ASC0	MUX1	MUX2	MUX3
●	●	●	●	●

#### Reference(s)

GSM 07.07, GSM 02.85, GSM 03.85,  
GSM 04.85

### Command Description

The Test command returns the supported parameters.

The Read command returns if the Explicit CUG invocation is activated (in parameter <n>), which CUG <index> is chosen, and if Preferential Group or Outgoing Access is suppressed (in parameter <info>).

The write command serves to activate or deactivate the explicit CUG invocation, to set the desired index, and to specify if Preferential Group or Outgoing Access shall be suppressed.



### Parameter Description

<n><sup>(num)</sup>

explicit CUG invocation options

0 <sup>(D)</sup>	Deactivate explicit CUG invocation
1	Activate explicit CUG invocation

<index><sup>(num)</sup>

0-9	explicit selection of CUG index
10 <sup>(D)</sup>	No index (preferred CUG taken from subscriber data)

<info><sup>(num)</sup>

state of the call

0 <sup>(D)</sup>	no information
1	suppress outgoing access
2	suppress preferential CUG
3	Suppress preferential CUG and Outgoing Access.

### Notes

- The active settings for omitted parameters are retained without changes.
- Explicit CUG invocation means that at each call setup, CUG information is added to the called number.
- Upon delivery, settings are predefined with  
`<n>=0,`  
`<index>=10,`  
`<info>=0.`  
These delivery defaults cannot be recalled automatically.
- When starting a call with `ATD`, Parameter 'G' or 'g' of command `ATD` will have no effect if the option selected for this single call is identical to the option already selected with `AT+CCUG`.
- Current settings are saved in the ME automatically.
- `ATZ` or `AT&F` do not influence the current settings.
- some combinations of parameters may lead to rejection of CUG calls by the network. For more information, please consult GSM 04.85

## 9.6 AT+CCFC Call forwarding number and conditions control

### Syntax

#### Test Command

AT+CCFC=?

#### Response(s)

+CCFC: (list/range of supported <reason>s)  
OK

#### Write Command

AT+CCFC=<reason>, <mode> [, <number>[, <type>[, <class>[, <time>]]]]

#### Response(s)

if <mode> is not equal 2 and command successful:  
OK  
if <mode>= 2, <reason> is not equal 2 and command successful:  
+CCFC: <status>, <class> [, <number>, <type>]  
OK  
if <mode>= 2, <reason>= 2 and command successful:  
+CCFC: <status>, <class> [, <number>, <type>, <time>]  
OK  
If error is related to ME functionality  
+CME ERROR

PIN	ASC0	MUX1	MUX2	MUX3
●	●	●	●	●

#### Reference(s)

GSM 07.07, GSM 02.04, GSM 02.82,  
GSM 03.82, GSM 04.82

### Command Description

The Test command returns the supported parameters.

The write command controls the call forwarding supplementary service. Registration, erasure, activation, deactivation and status query are supported.

### Parameter Description

<reason><sup>(num)</sup>

reason for call forwarding

0	unconditional
1	mobile busy
2	no reply

3	not reachable
4	all call forwarding (includes reasons 0, 1, 2 and 3)
5	all conditional call forwarding (includes reasons 1, 2 and 3)

**<mode><sup>(num)</sup>**

network operation to be performed for Supplementary service "call forwarding"

0	disable call forwarding (disable service)
1	enable call forwarding (enable service)
2	query status of call forwarding (query service status)
3	register <number> and activate call forwarding (register service)
4	erase <number> and deactivate call forwarding (erase service)

**<number><sup>(str)</sup>**

string type phone number of forwarding address in format specified by <type>. If you select <mode>= 3, the phone <number> will be registered in the network. This allows you to disable / enable CF to the same destination without the need to enter the phone number once again. Depending on the services offered by the provider the registration may be mandatory before CF can be used. The number remains registered in the network until you register another number or erase it using <mode> = 4.

**<type><sup>(num)</sup>**

type of address octect

145	dialling string <number> includes international access code character '+'
129	otherwise

**<class><sup>(num)</sup>**

integer or sum of integers each representing a class of information, i.e. a bearer service, telecommunication service or bearer service group as defined in "GSM 02.04"

1	voice
2	data <class> 2 (data) comprises all those <class> values between 16 and 128, that are supported both by the network and the MS. This means, a setting made for <class> 2 applies to all remaining data classes (if supported). In addition, you can assign a different setting to a specific class. For example, you can activate Call Forwarding for all data classes, but deactivate it for a specific data class.
4	fax
8	SMS
16	data circuit sync
32	data circuit async
64	dedicated packet access
128	dedicated PAD access
1...[7]...255	combination of some of the above classes. For example, the default setting 7 represents the sum of the integers 1, 2 and 4 (CF for voice, data and fax). The value 255 covers all classes. If the <class> parameter is omitted, the default value 7 is used.

<time><sup>(num)</sup>

5...[20]...30                      time to wait before call is forwarded, rounded to a multiple of 5 sec. (only for <reason>=no reply)

<status><sup>(num)</sup>

0                                      Call Forwarding not active  
1                                      Call Forwarding active

### Notes

- You can register, disable, enable and erase <reason> 4 and 5 as described above. However, querying the status of <reason> 4 and 5 with AT+CCFC will result in an error ("CME error: Operation not supported"). As an alternative, you may use the ATD command followed by \*# codes to check the status of these two reasons. See [List of \\*# Codes](#) for a complete list of \*# GSM codes. See also examples below.
- Most networks will not permit registration of new parameters for conditional call forwarding (reasons 1,2,3,5) while unconditional call forwarding is enabled.
- The AT+CCFC command offers a broad range of call forwarding options according to the GSM specifications. However, when you attempt to set a call forwarding option which is not provisioned or not yet subscribed to, the setting will not take effect regardless of the response returned. The responses in these cases vary with the network (for example "OK", "Operation not allowed", "Operation not supported" etc.). To make sure check the call forwarding status with <mode>=2.
- Some networks may choose to have certain call forwarding conditions permanently enabled (e.g. forwarding to a mailbox if the mobile is not reachable). In this case, erasure or deactivation of call forwarding for these conditions will not be successful, even if the CCFC request is answered with response "OK".
- The command has been implemented with the full set of <class> parameters according to GSM 07.07. For actual applicability of SS "call forwarding" to a specific service or service group (a specific <class> value) please consult table A.1 of GSM 02.04.
- there is currently no release of GSM standard "GSM 02.04", in which the "Call Forwarding" Supplementary Service is defined as applicable to SMS services

### Example

Please note that when you configure or query call forwarding without specifying any classes, the settings will refer to classes 1, 2 and 4 only (=default). The handling of classes is equivalent to [AT+CLCK](#).

- To register the destination number for unconditional call forwarding (CFU):

```
at+ccfc=0,3,"+493012345678",145
OK
```

The destination number will be registered for voice, data and fax services (default <class> 7). In most networks, the registration will also cause call forwarding to be activated for these <class> values.

- To query the status of CFU without specifying <class>:

```
at+ccfc=0,2
+CCFC: 1,1,"+493012345678",145
+CCFC: 1,2,"+493012345678",145
+CCFC: 1,4,"+493012345678",145
OK
```

- To deactivate CFU without specifying `<class>`:

```
at+ccfc=0,0
OK
```

To check whether CFU was successfully deactivated (note that the destination number remains registered in the network when you disable CFU):

```
at+ccfc=0,2
+CCFC: 0,1,"+493012345678",145
+CCFC: 0,2,"+493012345678",145
+CCFC: 0,4,"+493012345678",145
OK
```

- To erase the registered CFU destination number:

```
at+ccfc=0,4
OK
```

Now, when you check the status, no destination number will be indicated:

```
at+ccfc=0,2
+CCFC: 0,1
+CCFC: 0,2
+CCFC: 0,4
OK
```

- To query the status of CFU for all classes:

```
at+ccfc=0,2,,255
+CCFC: 0,1
+CCFC: 0,2
+CCFC: 0,4
+CCFC: 0,8
+CCFC: 0,16
+CCFC: 0,32
+CCFC: 0,64
+CCFC: 0,128
OK
```

- `<reason>` 4 or 5 cannot be used to query the status of all call forwarding reasons (see also notes above):

```
at+ccfc=4,2
+CME error: operation not supported
at+ccfc=5,2
+CME error: operation not supported
```

## 9.7 AT+CCWA Call Waiting

This command controls the "Call Waiting" supplementary service according to GSM 02.83. Activation, deactivation and status query are supported.

### Syntax

Test Command

```
AT+CCWA=?
```

Response(s)

```
+CCWA: (list of supported <n>s)  
OK
```

Read Command

```
AT+CCWA?
```

Response(s)

```
+CCWA: <n>  
OK
```

Write Command

```
AT+CCWA=[[<n>][, <mode>][, <class>]]
```

Response(s)

```
if <mode> is not equal 2 and command successful:
```

```
OK
```

```
if <mode>= 2 and command successful:
```

```
+CCWA: <status>, <class>
```

```
[+CCWA: <status>, <class> ]
```

```
[+CCWA: ...]
```

```
OK
```

```
If error is related to ME functionality
```

```
+CME ERROR
```

PIN	ASC0	MUX1	MUX2	MUX3
●	●	●	●	●

Reference(s)

```
GSM 07.07, GSM 02.04, GSM 02.83,  
GSM 03.83, GSM 04.83
```

### Unsolicited Result Codes

URC 1

Indication of a call that is currently waiting and can be accepted.

+CCWA: <calling number>, <type of number>, <class>, , <CLI validity>

If <n>=1 and the call waiting supplementary service is enabled in the network, URC "+CCWA" indicates a waiting call to the TE. It appears while the waiting call is still ringing.

#### URC 2

Indication of a call that has been waiting.

^SCWA

If <n>=1 and the call waiting supplementary service is enabled in the network, this URC indicates that a waiting call rang when the ME was in online mode during a CSD call, but the calling party hung up before the ME went back to command mode.

### Command Description

The test command returns the list of supported "<n>"s.

The read command returns the current value of parameter <n>.

The write command controls the call waiting supplementary service. Activation, deactivation and status query are supported.

### Parameter Description

<n><sup>(num)</sup>

Switch URCs "+CCWA" and "^SCWA" for call waiting on/off

0	Disable display of URCs "+CCWA" and "^SCWA"
1	Enable display of URCs "+CCWA" and "^SCWA"

<mode><sup>(num)</sup>

Network operation to be performed for Supplementary service call waiting

0	Disable call waiting (disable service)
1	Enable call waiting (enable service)
2	Query status of call waiting (query service status)

<class><sup>(num)</sup>

Integer or sum of integers each representing a class of information, i.e. a bearer service, telecommunication service or bearer service group as defined in "GSM 02.04".

In the write command, parameter <class> specifies the class of the active call during which an incoming call of any class is to be regarded as a waiting call.

In URC "+CCWA: <calling number>, <type of number>, <class>, , <CLI validity>", parameter <class> specifies the class of the waiting call.

1	Voice
2	Data <class> 2 (data) comprises all those <class> values between 16 and 128, that are supported both by the network and the MS. This means, a setting made for <class> 2 applies to all remaining data classes (if supported). In addition, you can assign a different setting to a specific class. For example, you can activate call waiting for all data classes, but deactivate it for a specific data class.
4	Fax
[7]	Voice, data and fax (1+2+4)

8	SMS
16	Data circuit sync
32	Data circuit async
64	Dedicated packet access
128	Dedicated PAD access
1...[7]...255	Combination of some of the above classes. For example, the default setting 7 represents the sum of the integers 1, 2 and 4 (CF for voice, data and fax). The value 255 covers all classes. If parameter "class" is omitted, the default value 7 is used.

**<status><sup>(num)</sup>**

0	Call waiting service is not active
1	Call waiting service is active

**<calling number><sup>(str)</sup>**

Phone number of waiting caller in the format specified by parameter [<type of number>](#).

**<type of number><sup>(num)</sup>**

Type of address octet in integer format (refer to GSM 04.08, subclause 10.5.4.7)

145	<a href="#">&lt;calling number&gt;</a> includes international access code character '+'
129	Otherwise

**<CLI validity><sup>(num)</sup>**

0	CLI valid
1	CLI has been withheld
2	CLI is not available

**Notes**

- If the active call is a CSD call, and a waiting call is received, then the ME produces a BREAK while still in online mode, and displays
  - the +CCWA URC (as above) when the ME goes back to command mode while the waiting call is still active and can be accepted;
  - or the ^SCWA URC (as above) when the ME goes back to command mode after the waiting call has ended.
- With the AT+CHLD command, it is possible to establish a multiparty call or to set the active voice call on hold and then accept a waiting voice call (not possible with fax and data call). See also [AT+CHLD](#)
- Users should be aware that if call waiting is activated ([<mode>=1](#)), the presentation of URCs needs to be enabled, too ([<n>=1](#)).  
Otherwise, on the one hand, a waiting caller would be kept waiting due to lack of BUSY signals, while, on the other hand, the waiting call would not be indicated to the called party.
- The AT+CCWA command offers a broad range of options according to the GSM specifications. However, when you attempt to enable call waiting for a [<class>](#) for which the service is not provisioned or not supported, the setting will not take effect regardless of the response returned. The responses in these cases vary with the network (for example "OK", "Operation not allowed", "Operation not supported" etc.). To make sure



check the current call waiting settings with `<mode>=2`.

- The AT+CCWA command has been implemented with the full set of `<class>` parameters according to GSM 07.07. For actual applicability of SS call waiting to a specific service or service group (a specific `<class>` value) please consult table A.1 of GSM 02.04
- Despite the specifications stated in GSM 02.04 call waiting is not handled uniformly among all networks: GSM 02.04, Annex A, provides the following specification:  
"The applicability of call waiting refers to the telecommunication service of the active call and not of the waiting call. The incoming, waiting, call may be of any kind." Nevertheless, networks do differ on the actual implementation of the service. For example, the activation of call waiting for `<class>` 4, "fax", causes some networks to send a call waiting indication if a call "of any kind" comes in during an active fax call, but others may (with the same settings active) indicate a waiting fax call during any kind of active call. Thus, the only reliable way to receive or prevent a call waiting indication under any circumstances and in any network, is to activate or deactivate call waiting for all tele- and bearer services (`<class>` 255).

### Examples

#### EXAMPLE 1

Parameter `<n>`

<code>at+ccwa=1</code>	To enable the presentation of the URC
<code>OK</code>	

#### EXAMPLE 2

Parameter `<mode>`

<code>at+ccwa=,1</code>	To activate the supplementary service in the network for voice, data, and fax calls (default classes). Note that Parameter <code>&lt;n&gt;</code> is left out. In this case, the current value of <code>&lt;n&gt;</code> will be retained.
<code>OK</code>	
<code>at+ccwa=,2</code>	To query the network status of call waiting for default classes
<code>at+ccwa=1,1</code>	Call Waiting is activated during voice calls.
<code>at+ccwa=1,2</code>	Call Waiting is activated during data calls.
<code>at+ccwa=1,4</code>	Call Waiting is activated during fax calls.
<code>OK</code>	

#### EXAMPLE 3

Parameter `<class>`

<code>AT+CCWA=,0,1</code>	To deactivate call waiting for voice calls.
<code>OK</code>	

## 9.8 AT+CHLD Call Hold and Multiparty

### Syntax

#### Test Command

AT+CHLD=?

#### Response(s)

+CHLD: (list of supported <n>s)  
OK

#### Write Command

AT+CHLD=[<n>]

#### Response(s)

OK  
ERROR  
+CME ERROR: <err>

PIN ASC0 MUX1 MUX2 MUX3

● ● ● ● ●

#### Reference(s)

GSM 07.07

### Command Description

TA controls the Supplementary Services Call Hold and Multiparty. Calls can be put on hold, recovered, released, and added to a conversation.

Like for all Supplementary Services, the availability and detailed functionality of Call Hold and Multiparty services depends on the configuration of the GSM network. The TC35i can only request the service, but the network decides whether and how the request will be answered.

### Parameter Description

<n><sup>(num)</sup>

0	<p>Release all held calls or set User Determined User Busy (UDUB) for a waiting call:</p> <ul style="list-style-type: none"> <li>• If a call is waiting, release the waiting call. The calling party will receive a "BUSY" indication (Supplementary Service User Determined User Busy "UDUB")</li> <li>• Otherwise, terminate all held calls (if any).</li> </ul>
1	<p>Terminate all active calls (if any) and accept "the other call" as the active call:</p> <ul style="list-style-type: none"> <li>• If a call is waiting, the waiting call will be accepted.</li> <li>• Otherwise, if a held call is present, the held call becomes active.</li> </ul>

1X	Terminate a specific call X (X= 1-7). The call may be active, held or waiting. The remote party of the terminated call will receive a "NO CARRIER" indication. Parameter X is the call number <idx> of the targeted call in the list of current calls available with AT command <a href="#">AT+CLCC</a> .
2	Place all active calls on hold (if any) and accept "the other call" as the active call: <ul style="list-style-type: none"> <li>• If a call is waiting, the waiting call will be accepted.</li> <li>• Otherwise, if a held call is present, the held call becomes active.</li> </ul>
2X	Place all active calls except call X (X= 1-7) on hold. Parameter X is the call number <idx> of the targeted call in the list of current calls available with AT command <a href="#">AT+CLCC</a> .
3	Add a held call to the active calls in order to set up a conference (multiparty) call.

**Notes**

- The [AT+CHLD](#) command offers a broad range of options according to the GSM specifications. However, if you attempt to invoke an option which is not provisioned by the network, or not subscribed to, invocation of this option will fail. The responses in these cases may vary with the network (for example "Operation not allowed", "Operation not supported" etc.).
- This Supplementary Service is only applicable to Teleservice 11 (Speech telephony), that is, voice calls can be put on hold, while data or fax calls cannot. For example, with [AT+CHLD=2](#) you can simultaneously place a voice call on hold and accept another waiting voice call. But it is possible to place a voice call on hold in order to accept a waiting data or fax call, and afterwards recover the voice call. In this case, the only difference over speech telephony is that the data or fax call needs to be manually accepted via [ATA](#) (see example below).
- In conflict situations, e.g. when a waiting call comes while there are already held calls, the above procedures apply to the waiting call only. For example, <n>=0 rejects the waiting call, but does not affect the held calls.
- See also the [AT+CCWA](#) command for details on how to display waiting calls.

**Example**

<pre>^SYSSTART at+cpin="9999" OK  +CREG: 2  +CREG: 1,"0145","0016" at+ccwa=1,1,1 OK atd"1234567"; OK +CCWA: "+491791292364",145,32,,0 at+chld=2 RING</pre>	<p>The mobile is now registered.</p> <p>You activate the indication of waiting calls during voice calls.</p> <p>You make a voice call.</p> <p>You receive a URC indicating a waiting data call.</p> <p>You put the voice call on hold.</p> <p>You now receive the RING of the data call.</p>
--	--

OK

RING

RING

ATA

You accept the data call.

CONNECT 9600/RLP

hello

OK

+++

With "+++" you go in command mode.

at+clcc

You interrogate the status of all established calls.

+CLCC: 1,0,1,0,0,"03038639268",129

+CLCC: 2,1,0,1,0,"+491791292364",145

OK

at+chld=1

The active data call is terminated and the held voice call becomes active.

OK

at+clcc

+CLCC: 1,0,0,0,0,"03038639268",129

OK

## 9.9 AT+CLIP Calling line identification presentation

### Syntax

#### Test Command

AT+CLIP=?

#### Response(s)

+CLIP: (list of supported<n>s)  
OK

#### Read Command

AT+CLIP?

#### Response(s)

+CLIP: <n>, <m>  
OK  
ERROR  
+CME ERROR: <err>

#### Write Command

AT+CLIP=<n>

#### Response(s)

OK  
ERROR  
+CME ERROR: <err>

PIN	ASC0	MUX1	MUX2	MUX3
<input type="radio"/>	<input type="radio"/>	<input type="radio"/>	<input type="radio"/>	<input type="radio"/>

#### Reference(s)

GSM 07.07

### Unsolicited Result Codes

#### URC 1

Voice call response format:

+CLIP: <number>, <type>, , , , <CLI validity>

#### URC 2

Data/FAX call response format:

+CLIP: <number>, <type>

When CLIP is enabled at the TE (and is permitted by the calling subscriber), an unsolicited result code is returned after every RING (or +CRING: <type>) at a mobile terminating call.

### Command Description

This command refers to the GSM supplementary service CLIP (Calling Line Identification Presentation) that enables a called subscriber to get the calling line identity (CLI) of the calling party when receiving a mobile terminated call.

Write command enables or disables the presentation of the CLI at the TE. It has no effect on the execution of the supplementary service CLIP in the network.

### Parameter Description

`<n>`<sup>(num)(&W)(&V)</sup>

<code>[0]</code> <sup>(&amp;F)</sup>	suppress unsolicited result codes
1	display unsolicited result codes

`<m>`<sup>(num)(&V)</sup>

0	CLIP not provisioned
1	CLIP provisioned
2	unknown

`<number>`<sup>(str)</sup>

string type phone number of calling address in format specified by `<type>`

`<type>`<sup>(num)</sup>

type of address octet in integer format; 145 when dialling string includes in-ternational access code character "+", otherwise 129.

`<CLI validity>`<sup>(num)</sup>

0	CLI valid
1	CLI has been withheld by the originator.
2	CLI is not available due to interworking problems or limitations of originating network. <code>&lt;number&gt;</code> shall be an empty string ("") and <code>&lt;type&gt;</code> value will not be significant.

When CLI is not available ( `<CLI validity>=2`), `<number>` shall be an empty string ("") and `<type>` value will not be significant. Nevertheless, TA shall return the recommended value 128 for `<type>` (TON/NPI unknown in accordance with GSM 04.08 subclause 10.5.4.7).

When CLI has been withheld by the originator, (`<CLI validity>=1`) and the CLIP is provisioned with the "override category" option (refer GSM 02.81 and GSM 03.81), `<number>` and `<type>` is provided. Otherwise, TA shall return the same setting for `<number>` and `<type>` as if the CLI was not available.

## 9.10 AT+CLIR Calling line identification restriction

### Syntax

#### Test Command

AT+CLIR=?

#### Response(s)

+CLIR: (list of supported <n>s)  
OK

#### Read Command

AT+CLIR?

#### Response(s)

+CLIR<n>, <m>  
OK  
ERROR  
+CME ERROR: <err>

#### Write Command

AT+CLIR=[<n>]

#### Response(s)

OK  
ERROR  
+CME ERROR: <err>

PIN    ASC0    MUX1    MUX2    MUX3

●    ●    ●    ●    ●

#### Reference(s)

GSM 07.07

### Command Description

This command refers to the GSM supplementary service CLIR (Calling Line Identification Restriction).

### Parameter Description

<n><sup>(num)</sup>

Parameter shows the settings for outgoing calls:

[0] <sup>(P)</sup>	Presentation indicator is used according to the subscription of the CLIR service
1	CLIR invocation
2	CLIR suppression

<m><sup>(num)</sup>

Parameter shows the subscriber CLIR service status in the network:

0	CLIR not provisioned
1	CLIR provisioned in permanent mode
2	Unknown (e.g. no network, etc.)
3	CLIR temporary mode presentation restricted
4	CLIR temporary mode presentation allowed

**Note**

- The settings made with [AT+CLIR=1](#) or [AT+CLIR=2](#) are used for all outgoing calls until the ME is switched off or [AT+CLIR=0](#) is used.



## 9.11 AT+CPUC Price per unit and currency table

### Syntax

Test Command

```
AT+CPUC=?
```

Response(s)

```
OK
```

Read Command

```
AT+CPUC?
```

Response(s)

```
+CPUC: <currency>, <ppu>
```

```
OK
```

```
ERROR
```

```
+CME ERROR: <err>
```

Write Command

```
AT+CPUC=<currency>, <ppu>[, <passwd>]
```

Response(s)

```
OK
```

```
ERROR
```

```
+CME ERROR: <err>
```

PIN	ASC0	MUX1	MUX2	MUX3
●	●	●	●	●

Reference(s)

```
GSM 07.07
```

### Command Description

Read command returns the current parameters of PUC.

Write command sets the parameters of Advice of Charge related price per unit and currency table. SIM PIN2 is usually required to set the parameters.

### Parameter Description

<currency><sup>(str)(+CSCS)</sup>

Three-character currency code (e.g. "GBP", "EUR"). If the currency name is longer than three characters, all characters will be cut off after the third position. Before they are written to the SIM Card, these characters are converted to the standard GSM alphabet.

<ppu><sup>(str)</sup>

Price per unit; dot is used as a decimal separator (e.g. "2.66"). The length is limited to 20 characters. If the string length is exceeded, the command is terminated with an error. This string may only contain digits and a dot. Leading zeros are removed from the string. The minimum and maximum value are determined by the structure of the SIM-PUCT file. The maximum price per unit value is 999 999 999.00. When successfully entered, this value is rounded to maximum accuracy.

Note: Due to storage in mantisse (range 0-4095) and exponent (-7 to 7) it is possible that rounding errors occur.

<passwd><sup>(str)</sup>

SIM PIN2. String parameter which can contain any combination of characters. The maximum string length is limited to 8 characters. If this value is exceeded, the command terminates with an error message. If the PIN2 is incorrect, a CME error (+CME ERROR: incorrect password) is output.

### Example

To change currency and/or price per unit you have two ways:

You can enter PIN2 along with the [AT+CPUC](#) command:

```
AT+CPUC="EUR", "0.10", "8888" (where "8888" = PIN2)
OK
```

Alternatively, you can first use the [AT+CPIN2](#) command to enter PIN2. When you execute the [AT+CPUC](#) command, subsequently, take into account that PIN2 authentication expires after 300ms (see notes in [AT+CPIN2](#)).

```
AT+CPUC="EUR", "0.10"
OK Successful
AT+CPUC="EUR", "0.10"
+CME ERROR: SIM PIN2 required Attempt not successful. PIN2 authentication has expired.
```

## 9.12 AT+CSSN Supplementary service notifications

### Syntax

#### Test Command

AT+CSSN=?

#### Response(s)

+CSSN: (list of supported<n>s), (list of supported<m>s)  
OK

#### Read Command

AT+CSSN?

#### Response(s)

+CSSN: <n>, <m>  
OK

#### Write Command

AT+CSSN=<n>[, <m>]

#### Response(s)

OK  
ERROR  
+CME ERROR

PIN	ASC0	MUX1	MUX2	MUX3
<input type="radio"/>	<input checked="" type="radio"/>	<input checked="" type="radio"/>	<input checked="" type="radio"/>	<input checked="" type="radio"/>

#### Reference(s)

GSM 07.07

### Unsolicited Result Codes

#### URC 1

+CSSI: <code 1>

When <n>=1 and a supplementary service notification is received after a mobile originated call setup, intermediate result code "+CSSI": <code 1> is sent to TE before any other MO call setup result codes

#### URC 2

+CSSU: <code 2>

When <m>=1 and a supplementary service notification is received during a mobile terminated call setup or during a call, unsolicited result code "+CSSU": <code 2> is sent to TE.

### Command Description

The write command enables or disables the presentation of URCs for supplementary services.

### Parameter Description

<n> <sup>(num)</sup>	
0(&F)	Suppress "+CSSI" URCs
1	Activate "+CSSI" URCs

<m> <sup>(num)</sup>	
0(&F)	Suppress "+CSSU" URCs
1	Activate "+CSSU" URCs

<code 1> <sup>(num)</sup>	
3	Waiting call is pending

<code 2> <sup>(num)</sup>	
0	The incoming call is a forwarded call.
5	Held call was terminated

### Note

- The URCs will be displayed only if the call concerned is a voice call.

## 9.13 AT+CUSD Supplementary service notifications

This command allows control of the Unstructured Supplementary Service Data (USSD) according to GSM 02.90. Both network and mobile initiated operations are supported.

### Syntax

Test Command

```
AT+CUSD=?
```

Response(s)

```
+CUSD: (list of supported<n>s)  
OK
```

Read Command

```
AT+CUSD?
```

Response(s)

```
+CUSD: <n>  
OK
```

Write Command

```
AT+CUSD=<n>[, <str>[, <dcs>]]
```

Response(s)

```
OK  
+CME ERROR
```

PIN	ASC0	MUX1	MUX2	MUX3
●	●	●	●	●

Reference(s)

```
GSM 07.07, GSM 02.90, GSM 03.90,  
GSM 04.90
```

### Unsolicited Result Code

```
+CUSD: <m>[<str>[<dcs>]]
```

URC "+CUSD" indicates an USSD response from the network, or network initiated operation

### Command Description

The read command returns the current <n> value

Write command parameter <n> is used to disable/enable the presentation of an unsolicited result code (USSD response from the network, or network initiated operation) "+CUSD: <m>[<str>[<dcs>]]" to the TE.

When <str> is given, a mobile initiated USSD string or a response USSD string to a network initiated operation

is sent to the network. The response USSD string from the network is returned in a subsequent unsolicited result code "+CUSD"

The interaction of this command with other commands based on other GSM supplementary services is described in the GSM standard.

### Parameter Description

<n><sup>(num)</sup>

0(&F)	Disable the result code presentation in the TA
1	Enable the result code presentation in the TA
2	Cancel session (not applicable to read command response)

<str><sup>(str)</sup>

String type USSD-string (when <str> parameter is not given, network is not interrogated).

If <dcs> indicates that GSM 03.38 default alphabet is used TA converts GSM alphabet into current TE character set according to rules of GSM 07.05 Annex A.

<dcs><sup>(num)</sup>

GSM 03.38 Cell Broadcast Data Coding Scheme in integer format (default 15)

<m><sup>(num)</sup>

0	No further user action required (network initiated USSD-Notify, or no further information needed after mobile initiated operation)
1	Further user action required (network initiated USSD-Request, or further information needed after mobile initiated operation). If <m>=1, then the URC ends with ">" to prompt the user for input. The user action is finished with <CTRL-Z> or aborted with <ESC>.
2	USSD terminated by network.

### Notes

- For the write command, only <dcs>= 15 is supported.
- When a USSD string is sent via ATD, a "AT+CUSD=1" is executed implicitly.

## 10. FAX Commands

The following commands can be used for FAX transmission. If the ME is acting as a Fax-Modem to a PC-based application (e.g. "WinFax") it is necessary to select the proper Service Class (Fax Class) provided by the ME. The ME reports its Service Class capabilities, both the current setting and the range of services available. This is provided by the `AT+FCLASS` command.

Service Classes supported by ME:

<code>AT+FCLASS</code> Parameter	Service class	Reference, Standard
0	data modem	e.g. TIA/EIA-602 or ITU V.25ter
1	Service Class 1	EIA/TIA-578-A
2	manufacture specific	this document and EIA PN-2388 (draft)

The following AT commands are dummy commands:

`AT+FAA` Auto Answer mode

`AT+FECM` Error Correction Mode control

`AT+FLNFC` Page Length format conversion

`AT+FLPL` Indicate document available for polling

`AT+FMINS` Minimum Phase C speed

`AT+FRBC` Phase C data receive byte count

`AT+FREL` Phase C received EOL alignment

`AT+FSPL` Enable polling

`AT+FTBC` Phase C data transmit byte count

`AT+FWDFC` Page width format conversion

Invoking these commands will not cause ERROR result codes, but these commands have no functionality.

### 10.1 FAX parameters

#### *Parameter Description*

`<bf>(num)`

Binary File Transfer Mode

Note: Only the default value needs to be implemented. Use test command to check which parameter values are really possible!

[0]	disable BFT
1	enable BFT

`<br>(num)`

Bit Rate

0	2400 bit/s, V.27ter
1	4800 bit/s, V.27ter
2	7200 bit/s, V.29
[3]	9600 bit/s, V.29

<df><sup>(num)</sup>

Data Compression Format

Note: Only the default value needs to be implemented. Use test command to check which parameter values are really possible!

[0]	1-D modified Huffman
1	2-D modified read
2	2-D uncompressed mode

<ec><sup>(num)</sup>

Error Correction Mode

Note: Only the default value needs to be implemented. Use test command to check which parameter values are really possible!

[0]	disable ECM
1	enable ECM, 64 bytes/frame
2	enable ECM, 256 bytes/frame

<ln><sup>(num)</sup>

Page Length

0	A4, 297mm
1	B4, 364mm
[2]	unlimited length

<mod><sup>(num)</sup>

modulation mode

3	V21 Ch2 - 300 bps
24	V.27ter - 2400 bps
27	V.27ter - 4800 bps
48	V.27ter - 7200 bps
72	V.29 - 7200 bps
96	V.29 - 9600 bps

<st><sup>(num)</sup>

Scan Time/Line

Note: Only the default value needs to be implemented. Use test command to check which parameter values are really possible!

[0]	0 ms (at VR= normal)
1	5 ms
2	10 ms
3	10 ms
4	20 ms
5	20 ms



6	40 ms
7	40 ms

<vr><sup>(num)</sup>

Vertical Resolution

0	normal, 98 lpi
[1]	fine, 196 lpi

<wd><sup>(num)</sup>

Page Width

[0]	1728 pixels in 215mm
1	2048 pixels in 255 mm
2	2432 pixels in 303 mm
3	1216 pixels in 151 mm
4	864 pixels in 107 mm

**Note**

- Only the default value needs to be implemented. Use test command to check which parameter values are really possible

## 10.2 AT+FBADLIN Bad Line Treshold

### Syntax

Read Command

```
AT+FBADLIN?
```

Response(s)

```
<badlin>
```

```
OK
```

Write Command

```
AT+FBADLIN=<badlin>
```

Response(s)

```
OK
```

```
If error is related to ME functionality
```

```
ERROR
```

PIN	ASC0	MUX1	MUX2	MUX3
<input type="radio"/>	<input checked="" type="radio"/>	<input checked="" type="radio"/>	<input type="radio"/>	<input type="radio"/>

Reference(s)

```
EIA PN-2388
```

### Command Description

This command defines the Copy-Quality-OK-threshold. If `<badlin>` consecutive lines have pixel count errors in normal resolution (98 dpi) mode, then the copy quality is unacceptable. If `<badlin>` \* 2 consecutive lines have pixel count errors in fine resolution (196 dpi) mode, then the copy quality is unacceptable. "Copy Quality Not OK" occurs if either the error percentage is too high or too many consecutive lines contain errors. A value of 0 implies that error checking is not present or disabled.

### Parameter Description

`<badlin>`<sup>(num)</sup>

bad lines

0...10<sup>(P)</sup>...255

### Note

- Used for Fax Class 2 only

## 10.3 AT+FBADMUL Error Threshold Multiplier

### Syntax

Read Command

AT+FBADMUL?

Response(s)

<badmul>

OK

Write Command

AT+FBADMUL=<badmul>

Response(s)

OK

If error is related to ME functionality:

ERROR

PIN	ASC0	MUX1	MUX2	MUX3
<input type="radio"/>	<input checked="" type="radio"/>	<input checked="" type="radio"/>	<input type="radio"/>	<input type="radio"/>

Reference(s)

EIA PN-2388

### Command Description

This command defines the "Copy-Quality-OK" multiplier. The number of lines received with a bad pixel count is multiplied by this number. If the result exceeds the total number of lines on the page the error rate is considered too high. A threshold multiplier value of 20 corresponds to a 5 per cent error rate. A value of 0 implies that error checking is not present or disabled.

### Parameter Description

<badmul><sup>(num)</sup>

0...20<sup>(P)</sup>...255

### Note

- Used for Fax Class 2 only

## 10.4 AT+FBOR Query data bit order

### Syntax

Test Command

AT+FBOR=?

Response(s)

(list of supported <bor>s)

OK

Read Command

AT+FBOR?

Response(s)

<bor>

OK

Write Command

AT+FBOR=<bor>

Response(s)

OK

PIN	ASC0	MUX1	MUX2	MUX3
<input type="radio"/>	<input checked="" type="radio"/>	<input checked="" type="radio"/>	<input type="radio"/>	<input type="radio"/>

Reference(s)

EIA PN-2388

### Command Description

Query the bit order for receive-mode. The mode is set by the ME depending on the selected Service Class, see "[AT+FCLASS](#) Fax: Select, read or test service class".

### Parameter Description

<bor><sup>(num)</sup>

bit order modes

0 Direct bit order for both Phase C and for Phase B/D data.

[1] Reversed bit order for Phase C data, direct Bit Order for Phase B/D data.

### Note

- Used for Fax Class 2 only

## 10.5 AT+FCIG Query or set the Local polling id

### Syntax

Test Command

```
AT+FCIG=?
```

Response(s)

(max. length of Local Polling ID string) (range of supported ASCII character values)  
OK

Read Command

```
AT+FCIG?
```

Response(s)

```
<id>  
OK
```

Write Command

```
AT+FCIG=<id>
```

Response(s)

```
OK
```

PIN	ASC0	MUX1	MUX2	MUX3
<input type="radio"/>	<input checked="" type="radio"/>	<input checked="" type="radio"/>	<input type="radio"/>	<input type="radio"/>

Reference(s)

EIA PN-2388

### Parameter Description

<id><sup>(num)</sup>

Local Polling ID string, max. length and possible content as reported by test command. Default value is empty string ("").

### Notes

- Used for Fax Class 2 only
- See also [AT+FLID](#) Query or set the Local Id setting capabilities.

## 10.6 AT+FCLASS Fax: Select, read or test service class

### Syntax

Test Command

AT+FCLASS=?

Response(s)

(list of supported <n>s)

OK

Read Command

AT+FCLASS?

Response(s)

<n>

OK

Write Command

AT+FCLASS=<n>

Response(s)

OK

PIN	ASC0	MUX1	MUX2	MUX3
<input type="radio"/>	<input checked="" type="radio"/>	<input checked="" type="radio"/>	<input type="radio"/>	<input type="radio"/>

Reference(s)

EIA/TIA-592-A

### Command Description

The ME is set to a particular mode of operation (data, fax). This causes the MA to process information in a manner suitable for that type of information.

### Parameter Description

<n><sup>(num)(&W)(&V)</sup>

[0] <sup>(&amp;F)</sup>	data (e.g. EIA/TIA-602 or ITU V.25ter)
1	Fax class 1 (EIA/TIA-578-A, Service Class 1)
2	Fax class 2 (EIA/TIA SP-2388, an early draft version of EIA/TIA-592-A - Service class 2.1)

### Notes

- Using Error Correcting Mode (ECM) when sending FAXes over GSM should be avoided

- If `<n>` is set to 1 or 2, all incoming calls will be answered as fax calls with `ATA`, if `ATA` is issued on multiplexer channel 1 resp. ASC0. For calls explicitly signalled as voice or data calls, this procedure will fail with result code "NO CARRIER", but the call in question will continue to ring.  
It is possible to change the setting of `<n>` to 0 while the call is ringing, and accept the call normally afterwards with `ATA`.  
In automatic answer mode (setting of `ATSO` is different from 0) a voice call will be established automatically independent of the setting of `<n>`.

## 10.7 AT+FCQ Copy Quality Checking

### Syntax

Test Command

AT+FCQ=?

Response(s)

(list of supported copy quality checking <cq>s)

OK

Read Command

AT+FCQ?

Response(s)

<cq>

OK

Write Command

AT+FCQ=<cq>

Response(s)

OK

PIN	ASC0	MUX1	MUX2	MUX3
<input type="radio"/>	<input checked="" type="radio"/>	<input checked="" type="radio"/>	<input type="radio"/>	<input type="radio"/>

Reference(s)

EIA PN-2388

### Command Description

This command controls Copy Quality checking when receiving a fax.

### Parameter Description

<cq><sup>(num)</sup>

0	No copy quality checking. The ME will generate Copy Quality OK (MCF) responses to complete pages.
[1]	ME can check 1-D phase data. The connected application must check copy quality for 2-D phase C data.

### Note

- Used for Fax Class 2 only



## 10.8 AT+FCR Capability to receive

### Syntax

Write Command

```
AT+FCR=<cr>
```

Response(s)

```
OK
```

PIN	ASC0	MUX1	MUX2	MUX3
<input type="radio"/>	<input checked="" type="radio"/>	<input checked="" type="radio"/>	<input type="radio"/>	<input type="radio"/>

Reference(s)

EIA PN-2388

### Parameter Description

<cr><sup>(num)</sup>

[0]	ME will not receive message data. This can be used when the application has insufficient storage. The ME can send and can be polled for a file.
1	ME can receive message data.

### Note

- Used for Fax Class 2 only

## 10.9 AT+FDCC Query or set capabilities

### Syntax

Test Command

```
AT+FDCC=?
```

Response(s)

```
(list of <vr>s), (list of <br>s), (list of <wd>s), (list of <ln>s), (list of <df>s), (list of <ec>s), (list of <bf>s),  
(list of <st>s)  
OK
```

Read Command

```
AT+FDCC?
```

Response(s)

```
<vr>, <br>, <wd>, <ln>, <df>, <ec>, <bf>, <st>  
OK
```

Write Command

```
AT+FDCC=<vr>, <br>, <wd>, <ln>, <df>, <ec>, <bf>, <st>
```

Response(s)

```
OK
```

PIN	ASC0	MUX1	MUX2	MUX3
<input type="radio"/>	<input checked="" type="radio"/>	<input checked="" type="radio"/>	<input type="radio"/>	<input type="radio"/>

Reference(s)

```
EIA PN-2388
```

### Command Description

This command allows the connected application to sense and constrain the capabilities of the facsimile DCE (=ME), from the choices defined in CCITT T.30 Table 2.

### Notes

- For further information see [AT+FDIS](#).
- Used for Fax Class 2 only

## 10.10 AT+FDFFC Data Compression Format Conversion

### Syntax

Test Command

AT+FDFFC=?

Response(s)

(list of <df>s)

OK

Read Command

AT+FDFFC?

Response(s)

<df>

OK

Write Command

AT+FDFFC=<df>

Response(s)

OK

PIN	ASC0	MUX1	MUX2	MUX3
<input type="radio"/>	<input checked="" type="radio"/>	<input checked="" type="radio"/>	<input type="radio"/>	<input type="radio"/>

Reference(s)

EIA PN-2388

### Command Description

This parameter determines the ME response to a mismatch between the data format negotiated for the fax session, reported by the <df> subparameter, and the Phase C data desired by the controlling application, indicated by the optional AT+FDT <df> subparameter, or the AT+FDIS <df> subparameter for AT+FDR operation.

### Parameter Description

<df><sup>(num)</sup>

[0]	Mismatch checking is always disabled. The controlling application has to check the <df> subparameter and transfer matching data.
-----	--

### Notes

- For further information see [AT+FDIS](#).
- Used for Fax Class 2 only.

## 10.11 AT+FDIS Query or set session parameters

### Syntax

#### Test Command

AT+FDIS=?

#### Response(s)

(list of <vr>s), (list of <br>s), (list of <wd>s), (list of <ln>s), (list of <df>s), (list of <ec>s), (list of <bf>s),  
(list of <st>s)  
OK

#### Read Command

AT+FDIS?

#### Response(s)

<vr>, <br>, <wd>, <ln>, <df>, <ec>, <bf>, <st>  
OK

#### Write Command

AT+FDIS=<vr>, <br>, <wd>, <ln>, <df>, <ec>, <bf>, <st>

#### Response(s)

OK

PIN	ASC0	MUX1	MUX2	MUX3
<input type="radio"/>	<input checked="" type="radio"/>	<input checked="" type="radio"/>	<input type="radio"/>	<input type="radio"/>

#### Reference(s)

EIA PN-2388

### Command Description

This command allows the controlling application to sense and constrain the capabilities used for the current session. It uses [AT+FDIS](#) to generate DIS or DTC messages directly, and uses [AT+FDIS](#) and received DIS messages to generate DCS messages.

### Note

- Used for Fax Class 2 only

## 10.12 AT+FDR Begin or continue phase C data reception

### Syntax

Exec Command

AT+FDR

Response(s)

CONNECT

or

OK

If error related to ME functionality

ERROR

PIN	ASC0	MUX1	MUX2	MUX3
<input type="radio"/>	<input checked="" type="radio"/>	<input checked="" type="radio"/>	<input type="radio"/>	<input type="radio"/>

Reference(s)

EIA PN-2388

### Command Description

The command initiates transition to Phase C data reception.

### Note

- Used for Fax Class 2 only

## 10.13 AT+FDT Data Transmission

### Syntax

Exec Command

AT+FDT

Response(s)

CONNECT

Write Command

AT+FDT=<df>, <vr>, <wd>, <ln>

Response(s)

CONNECT

PIN	ASC0	MUX1	MUX2	MUX3
<input type="radio"/>	<input checked="" type="radio"/>	<input checked="" type="radio"/>	<input type="radio"/>	<input type="radio"/>

Reference(s)

EIA PN-2388

### Command Description

This command requests the ME to transmit a Phase C page. When the ME is ready to accept Phase C data, it issues the negotiation responses and the CONNECT result code to the application.

In Phase B, the [AT+FDT](#) command releases the ME to proceed with negotiation, and releases the DCS message to the remote station. In Phase C, the [AT+FDT](#) command resumes transmission after the end of a data stream transmitted before.

### Note

- Used for Fax Class 2 only

## 10.14 AT+FET End a page or document

### Syntax

```
Write Command
AT+FET=<ppm>

Response(s)
OK
```

PIN	ASC0	MUX1	MUX2	MUX3
<input type="radio"/>	<input checked="" type="radio"/>	<input checked="" type="radio"/>	<input type="radio"/>	<input type="radio"/>

Reference(s)  
EIA PN-2388

### Command Description

This command indicates that the current page or partial page is complete. An ERROR response code results if this command is issued while the mode is on-hook.

### Parameter Description

<ppm> <sup>(num)</sup>	
Post Page Message Codes	
1	another document next
2	no more pages or documents
4	another page, procedure interrupt
5	another document, procedure interrupt

### Note

- Used for Fax Class 2 only

## 10.15 AT+FK Kill operation, orderly FAX abort

### Syntax

```
Exec Command
AT+FK

Response(s)
OK
```

PIN	ASC0	MUX1	MUX2	MUX3
<input type="radio"/>	<input checked="" type="radio"/>	<input checked="" type="radio"/>	<input type="radio"/>	<input type="radio"/>

### Command Description

This command causes the TA to terminate the session in an orderly manner.

### Note

- Used for Fax Class 2 only



## 10.16 AT+FLID Query or set the Local Id setting capabilities

### Syntax

Test Command

```
AT+FLID=?
```

Response(s)

```
(max. character length of Local ID string) (range of supported ASCII character values)  
OK
```

Read Command

```
AT+FLID?
```

Response(s)

```
<lid>  
OK
```

Write Command

```
AT+FLID=<lid>
```

Response(s)

```
OK
```

PIN	ASC0	MUX1	MUX2	MUX3
<input type="radio"/>	<input checked="" type="radio"/>	<input checked="" type="radio"/>	<input type="radio"/>	<input type="radio"/>

Reference(s)

```
EIA PN-2388
```

### Parameter Description

<lid><sup>(num)</sup>

Local ID string

max. length and possible content as reported by test command. Default value is empty string ("").

### Notes

- Used for Fax Class 2 only
- See also [AT+FCIG](#) Query or set the Local polling id

## 10.17 AT+FMDL identify Product Model

### Syntax

Read Command

AT+FMDL?

Response(s)

Gipsy Soft Protocolstack  
OK

PIN	ASC0	MUX1	MUX2	MUX3
<input type="radio"/>	<input checked="" type="radio"/>	<input checked="" type="radio"/>	<input type="radio"/>	<input type="radio"/>

Reference(s)

SIEMENS

### Command Description

Send the model identification to the TA.

### Note

- Used for Fax Class 2 only

## 10.18 AT+FMFR Request Manufacturer Identification

### Syntax

```
Read Command
AT+FMFR?

Response(s)
SIEMENS
OK
```

PIN	ASC0	MUX1	MUX2	MUX3
<input type="radio"/>	<input checked="" type="radio"/>	<input checked="" type="radio"/>	<input type="radio"/>	<input type="radio"/>

```
Reference(s)
SIEMENS
```

### Command Description

Send the manufacturer identification to the TA.

### Note

- Used for Fax Class 2 only

## 10.19 AT+FOPT Set bit order independently

### Syntax

Write Command

```
AT+FOPT=<opt>
```

Response(s)

```
OK
```

PIN	ASC0	MUX1	MUX2	MUX3
<input type="radio"/>	<input checked="" type="radio"/>	<input checked="" type="radio"/>	<input type="radio"/>	<input type="radio"/>

Reference(s)

SIEMENS

### Command Description

Model specific command to set bit order independently of the understanding which is "mirrored" and which is direct.

### Parameter Description

<opt><sup>(num)</sup>

0	non-standard
1	standard

### Note

- Used for Fax Class 2 only

## 10.20 AT+FPHCTO DTE Phase C Response Timeout

### Syntax

Read Command

AT+FPHCTO?

Response(s)

<tout>

OK

Write Command

AT+FPHCTO=<tout>

Response(s)

OK

If error is related to ME functionality

ERROR

PIN	ASC0	MUX1	MUX2	MUX3
<input type="radio"/>	<input checked="" type="radio"/>	<input checked="" type="radio"/>	<input type="radio"/>	<input type="radio"/>

Reference(s)

EIA PN-2388

### Command Description

The time-out value <tout> determines how long the DCE will wait for a command after reaching the end of data when transmitting in Phase C. When time-out is reached, the DCE assumes that there are no more pages or documents to send.

### Parameter Description

<tout><sup>(num)</sup>

Timeout

Value in 100ms units

0...30<sup>(P)</sup>...255

### Note

- Used for Fax Class 2 only

## 10.21 AT+FREV Identify Product Revision

### Syntax

Read Command

AT+FREV?

Response(s)

V2.550

OK

PIN

ASC0

MUX1

MUX2

MUX3



Reference(s)

SIEMENS

### Command Description

Sends the revision identification to the TA.

### Note

- Used for Fax Class 2 only

## 10.22 AT+FRH Receive Data Using HDLC Framing

### Syntax

Write Command

```
AT+FRH=<mod>
```

Response(s)

```
CONNECT
```

```
If error related to ME functionality
```

```
ERROR
```

PIN	ASC0	MUX1	MUX2	MUX3
-----	------	------	------	------

<input type="radio"/>	<input checked="" type="radio"/>	<input checked="" type="radio"/>	<input type="radio"/>	<input type="radio"/>
-----------------------	----------------------------------	----------------------------------	-----------------------	-----------------------

Reference(s)

TIA/EIA-578

### Command Description

This command causes the TA to receive frames using the HDLC protocol and the modulation defined below. An ERROR response code results if this command is issued while the modem is on-hook.

### Note

- Used for Fax Class 1 only

## 10.23 AT+FRM Receive Data

### Syntax

Test Command

AT+FRM=?

Response(s)

(list of <mod>s)

OK

Write Command

AT+FRM=<mod>

Response(s)

CONNECT

If error is related to ME functionality:

ERROR

PIN	ASC0	MUX1	MUX2	MUX3
<input type="radio"/>	<input checked="" type="radio"/>	<input checked="" type="radio"/>	<input type="radio"/>	<input type="radio"/>

Reference(s)

TIA/EIA-578

### Command Description

This command causes the TA to enter the receiver-mode using the modulation defined below. An ERROR response code results if this command is issued while the modem is on-hook.

### Notes

- Used for Fax Class 1 only
- <mod>= 3 is not possible



## 10.24 AT+FRS Receive Silence

### Syntax

Write Command

```
AT+FRS=<time>
```

Response(s)

```
OK
```

```
If error related to ME functionality
```

```
ERROR
```

PIN	ASC0	MUX1	MUX2	MUX3
<input type="radio"/>	<input checked="" type="radio"/>	<input checked="" type="radio"/>	<input type="radio"/>	<input type="radio"/>

Reference(s)

TIA/EIA-578

### Command Description

<time>=n causes the TA to report an OK result code to the TE after <time> 10 millisecond intervals of silence have been detected on the line. This command is aborted if any character is received by the DTE. The modem discards the aborting character and issues an OK result code. An ERROR response code results if this command is issued while the mode is on-hook

### Parameter Description

<time><sup>(num)</sup>

no. of 10 millisecond intervals

0...255

### Note

- Used for Fax Class 1 only

## 10.25 AT+FTH Transmit Data Using HDLC Framing

### Syntax

Write Command

AT+FTH=<mod>

Response(s)

CONNECT

PIN	ASC0	MUX1	MUX2	MUX3
<input type="radio"/>	<input checked="" type="radio"/>	<input checked="" type="radio"/>	<input type="radio"/>	<input type="radio"/>

Reference(s)

TIA/EIA-578

### Command Description

This command causes the TA to transmit data using HDLC protocol and the modulation mode defined below. An ERROR response code results if this command is issued while the modem is on-hook

### Notes

- Used for Fax Class 1 only
- Only <mod>= 3 is possible

## 10.26 AT+FTM Transmit Data

### Syntax

Test Command

AT+FTM=?

Response(s)

(list of <mod>s)

OK

Write Command

AT+FTM=<mod>

Response(s)

CONNECT

If error is related to ME functionality

ERROR

PIN	ASC0	MUX1	MUX2	MUX3
<input type="radio"/>	<input checked="" type="radio"/>	<input checked="" type="radio"/>	<input type="radio"/>	<input type="radio"/>

Reference(s)

TIA/EIA-578

### Command Description

This command causes the TA to transmit data using the modulation mode defined below. An ERROR response code results if this command is issued while the modem is on-hook.

### Notes

- Used for Fax Class 1 only
- <mod>= 3 is not possible

## 10.27 AT+FTS Stop Transmission and Wait

### Syntax

Write Command

```
AT+FTS=<time>
```

Response(s)

An ERROR response code results if this command is issued while the modem is on-hook.

PIN	ASC0	MUX1	MUX2	MUX3
<input type="radio"/>	<input checked="" type="radio"/>	<input checked="" type="radio"/>	<input type="radio"/>	<input type="radio"/>

Reference(s)

TIA/EIA-578

### Command Description

This command causes the TA to terminate a transmission and wait for <time> 10 millisecond intervals before responding with the OK result code to the DTE.

### Parameter Description

<time><sup>(num)</sup>

no. of 10 millisecond intervals

0...85

### Note

- Used for Fax Class 1 only

## 10.28 AT+FVRF Vertical resolution format conversion

### Syntax

Test Command

```
AT+FVRF=?
```

Response(s)

(list of supported <vrfc>s)

OK

Read Command

```
AT+FVRF?
```

Response(s)

<vrfc>

OK

Write Command

```
AT+FVRF=<vrfc>
```

Response(s)

OK

PIN	ASC0	MUX1	MUX2	MUX3
<input type="radio"/>	<input checked="" type="radio"/>	<input checked="" type="radio"/>	<input type="radio"/>	<input type="radio"/>

Reference(s)

EIA PN-2388

### Command Description

This command determines the DCE response to a mismatch between the vertical resolution negotiated for the facsimile session and the Phase C data desired by the DTE.

### Parameter Description

<vrfc><sup>(num)</sup>

0	Disable mismatch checking.
[2]	Enable mismatch checking, with resolution conversion of 1-D data in the DCE, and an implied <a href="#">AT+FK</a> command executed on 2-D mismatch detection.

### Note

- Used for Fax Class 2 only

## 11. Short Message Service (SMS) Commands

The AT Commands described in this chapter allow an external application to use the Short Message Service with the TC35i.

### 11.1 SMS parameters

#### Parameter Description

`<ackpdu>`<sup>(num)</sup>

Format is same for `<pdu>` in case of SMS, but without GSM 24.11 SC address field and parameter shall be bounded by double quote characters like a normal string type parameter

`<alpha>`<sup>(str)(+CSCS)</sup>

String type alphanumeric representation of `<da>` or `<oa>` corresponding to the entry found in phonebook; implementation of this feature is manufacturer specific

`<cdata>`<sup>(num)</sup>

Command Data

GSM 03.40 TP-Command-Data in text mode responses; ME/TA converts each 8-bit octet into two IRA character long hexadecimal numbers (e.g. octet with integer value 42 is presented to TE as two characters 2A (IRA 50 and 65))

`<ct>`<sup>(num)</sup>

Command Type

GSM 03.40 TP-Command-Type in integer format

[0]...255

`<da>`<sup>(num)(+CSCS)</sup>

Destination Address

GSM 03.40 TP- Destination-Address Address-Value field in string format; BCD numbers (or GSM default alpha characters) are converted into characters; type of address given by `<toda>`

`<data>`<sup>(num)(+CSCS)</sup>

User Data

In case of SMS: GSM 03.40 TP-User-Data in text mode responses; format:

- If `<dcs>` indicates that GSM 03.38 default alphabet is used and `<fo>` indicates that GSM 03.40 TP-User-Data-Header-Indication is not set: ME/TA converts GSM alphabet into current TE character set according to rules covered in Annex A.
- If `<dcs>` indicates that 8-bit or UCS2 data coding scheme is used, or `<fo>` indicates that GSM 03.40 TP-User-Data-Header-Indication is set: ME/TA converts each 8-bit octet into hexadecimal numbers containing two IRA characters (e.g. octet with integer value 42 is presented to TE as two characters 2A (IRA 50 and 65)).

In case of CBS: GSM 03.41 CBM Content of Message in text mode responses; format:

- If `<dcs>` indicates that GSM 03.38 default alphabet is used: ME/TA converts GSM alphabet into current TE character set according to rules covered in Annex A.

- If `<dcs>` indicates that 8-bit or UCS2 data coding scheme is used: ME/TA converts each 8-bit octet into hexadecimal numbers containing two IRA characters.

`<dt>`<sup>(num)</sup>

#### Discharge Time

GSM 03.40 TP-Discharge-Time in time-string format: "yy/MM/dd, hh:mm:ss+zz", where characters indicate year (two last digits), month, day, hour, minutes, seconds and time zone. For example, 6th of May 1994, 22:10:00 GMT+2 hours equals "94/05/06,22:10:00+08"

`<ieia>`<sup>(num)</sup>

IEIa (Information Element Identifier octet) of the concatenated SMS.

8	Concatenated short messages, 8-bit reference number
16	Concatenated short messages, 16-bit reference number

`<index>`<sup>(num)</sup>

Integer type; value in the range of location numbers supported by the associated memory

`<length>`<sup>(num)</sup>

#### Message Length

Integer type value indicating in the text mode (`AT+CMGF=1`) the length of the message body `<data>` (or `<cdata>`) in characters; or in PDU mode (`AT+CMGF=0`), the length of the actual TP data unit in octets (i.e. the RP layer SMSC address octets are not counted in the length) In text mode, the maximum length of an SMS depends on the used coding scheme: It is 160 characters if the 7 bit GSM coding scheme is used, and 140 characters according to the 8 bit GSM coding scheme.

If the SMS message format is "text mode" (`AT+CMGF=1`) and the character set is set to "UCS2" with `AT+CSCS` and the SMS is also coded as "UCS2" (see `<dcs>` of `AT+CSMP`), then the length is in octets instead of characters.

For concatenated SMS messages the maximum length will be reduced by the length of the user data header with respect to `<ieia>` (6 bytes for `<ieia>=8` and 7 bytes for `<ieia>=16`). In the case of 8-bit data, the maximum length of the short message field is: 140 octets - (6 or 7) = 134 or 133. In the case of GSM 7 bit default alphabet data, the maximum length of the short message is  $(140 - (6 \text{ or } 7)) * 8/7 = 153 \text{ or } 152$  characters. In the case of 16 bit UCS2 data, the maximum length of the short message is:  $(140 - (6 \text{ or } 7))/2 = 67 \text{ or } 66$  characters.

`<max>`<sup>(num)</sup>

Maximum number of all segments to be concatenated into one SMS, beginning with 1.

`<max>=0` means: ignore the value. This will result in a non-concatenated SMS.

0...255

`<mem1>`<sup>(str)</sup>

Memory to be used when listing, reading and deleting messages:

"SM" <sup>(D)</sup>	SIM message storage
"ME"	Mobile Equipment message storage
"MT"	Sum of "SM" and "ME" storages

`<mem2>`<sup>(str)</sup>

Memory to be used when writing and sending messages:

"SM" <sup>(D)</sup>	SIM message storage
---------------------	---------------------

"ME" Mobile Equipment message storage  
"MT" Sum of "SM" and "ME" storages

<mem3><sup>(str)</sup>

Received messages will be placed in this memory storage if routing to TE is not set. See command [AT+CNMI](#) with parameter <mt>=2.

"SM"<sup>(D)</sup> SIM message storage  
"MT" Sum of "SM" and "ME" storages

<mid><sup>(num)</sup>

Message Identifier  
GSM 03.41 CBM Message Identifier in integer format

<mn><sup>(num)</sup>

Message Number  
GSM 03.40 TP-Message-Number in integer format

<mr><sup>(num)</sup>

Message Reference  
GSM 03.40 TP-Message-Reference in integer format

<oa><sup>(num)(+CSCS)</sup>

Originating Address  
GSM 03.40 TP-Originating-Address Address-Value field in string format; BCD numbers (or GSM default alphabet characters) are converted into characters; type of address given by <toa>

<page><sup>(num)</sup>

Page Parameter  
GSM 03.41 CBM Page Parameter bits 4-7 in integer format

<pages><sup>(num)</sup>

Page Parameter  
GSM 03.41 CBM Page Parameter bits 0-3 in integer format

<pdu><sup>(num)</sup>

In the case of SMS: GSM 04.11 SC address followed by GSM 03.40 TPDU in hexadecimal format: ME/TA converts each octet of TP data unit into hexadecimal numbers containing two IRA characters (e.g. octet with integer value 42 is presented to TE as two characters 2A (IRA 50 and 65)). In the case of CBS: <ra> GSM 03.40 TP-Recipient-Address Address-Value field in string format; BCD numbers (or GSM default alphabet characters) are converted into characters; type of address given by <tora>



<ra><sup>(num)(+CSCS)</sup>

#### Recipient Address

GSM 03.40 TP-Recipient-Address Address-Value field in string format; BCD numbers (or GSM default alphabet characters) are converted to characters of the currently selected TE character set (refer to command [AT+CSCS](#)); type of address given by [<tora>](#)

<ref><sup>(num)</sup>

Reference number to identify all segments of the concatenated SMS (i.e. the number needs to be the same for each segment). If [<ieia>](#)=8 then max=255, otherwise 65535.

0...255

0...65535

<sca><sup>(num)(+CSCS)</sup>

#### Service Center Address

GSM 04.11 RP SC address Address-Value field in string format; BCD numbers (or GSM default alphabet characters) are converted to characters of the currently selected TE character set (refer to command [AT+CSCS](#)); type of address given by [<tosca>](#)

<scts><sup>(num)</sup>

#### Service Centre Time Stamp

GSM 03.40 TP-Service-Centre-Time-Stamp in time-string format (refer [<dt>](#))

<seq><sup>(num)</sup>

Sequence number of the concatenated SMS beginning with 1. The number must be incremented by one for each segment of the concatenated short message.

[<seq>](#)=0 means: ignore the value. This will result in a non-concatenated SMS.

0...255

<sn><sup>(num)</sup>

#### Serial Number

GSM 03.41 CBM Serial Number in integer format

<st><sup>(num)</sup>

#### Status

GSM 03.40 TP-Status in integer format

0...255

<stat><sup>(str)</sup>

#### Message status

3GPP 27.005 Interface of SMS and CB. Indicates the status of message in memory.

Description	text mode (<mode>=1)	PDU mode (<mode>=0)	Default
Received unread messages	"REC UNREAD"	0	for SMS reading commands
Received read messages	"REC READ"	1	
Stored unsent messages	"STO UNSENT"	2	for SMS writing commands
Stored sent messages	"STO SENT"	3	
All messages	"ALL"	4	

<toda><sup>(num)</sup>

Type of Destination Address

GSM 04.11 TP-Destination-Address Type-of-Address octet in integer format (when first character of <da> is + (IRA 43) default is 145, otherwise default is 129)

0...255

<tooa><sup>(num)</sup>

Type of Originating Address

GSM 04.11 TP-Originating-Address Type-of-Address octet in integer format (default refer <toda>)

<tora><sup>(num)</sup>

Type of Recipient Address

GSM 04.11 TP-Recipient-Address Type-of-Address octet in integer format (default refer <toda>)

<tosca><sup>(num)</sup>

Type of Service Center Address

GSM 04.11 RP SC address Type-of-Address octet in integer format (default refer <toda>)

## 11.2 AT+CMGC Send an SMS command

### Syntax

Test Command

```
AT+CMGC=?
```

Response(s)

```
OK
```

Write Command

If text mode (see [AT+CMGF=1](#))

```
AT+CMGC=<fo>, <ct> [, <pid>[, <mn>[, <da>[, <toda>]]]] <CR> Text can be entered <CTRL-Z>/<ESC>
```

Response(s)

```
+CMGC: <mr>[, <scts>]
```

If sending fails

```
ERROR
```

```
+CMS ERROR
```

Write Command

If PDU mode (see [AT+CMGF=0](#))

```
AT+CMGC=<length> <CR> PDU can be entered <CTRL-Z>/<ESC>
```

Response(s)

```
+CMGC: <mr>[, <ackpdu>]
```

```
OK
```

If sending fails

```
ERROR
```

```
+CMS ERROR
```

PIN	ASC0	MUX1	MUX2	MUX3
-----	------	------	------	------

●	●	●	●	●
---	---	---	---	---

Reference(s)

```
GSM 07.05
```

### Notes

- After invoking the commands [AT+CMGW](#), [AT+CMGS](#) or [AT+CMGC](#) it is necessary to wait for the prompt ">" before entering text or PDU. After the prompt a timer will be started to observe the input.
- At baudrates below 19200 it is recommended to use the line termination character only (refer to [ATS3](#), default <CR>) before entering the text or PDU. Use of the line termination character followed by the response formatting character (refer to [ATS4](#), default <LF>) can cause problems

## 11.3 AT+CMGD Delete SMS message

### Syntax

Test Command

```
AT+CMGD=?
```

Response(s)

```
OK
```

Write Command

```
AT+CMGD=<index>
```

Response(s)

```
OK
```

```
ERROR
```

```
+CMS ERROR
```

PIN	ASC0	MUX1	MUX2	MUX3
●	●	●	●	●

Reference(s)

```
GSM 07.05
```

### Command Description

Write command deletes message from preferred message storage <mem1> location <index>.

### Note

- If there is no SMS stored at the selected index, the response is OK too.

## 11.4 AT+CMGF Select SMS message format

### Syntax

Test Command

AT+CMGF=?

Response(s)

+CMGF: (list of supported <mode>s)

OK

Read Command

AT+CMGF?

Response(s)

+CMGF: <mode>

OK

Write Command

AT+CMGF=<mode>

Response(s)

OK

PIN	ASC0	MUX1	MUX2	MUX3
<input type="radio"/>	<input checked="" type="radio"/>	<input checked="" type="radio"/>	<input checked="" type="radio"/>	<input checked="" type="radio"/>

Reference(s)

GSM 07.05

### Command Description

The write command specifies the input and output format of the short messages.

### Parameter Description

<mode><sup>(num)(&W)(&V)</sup>

[0] <sup>(&amp;F)</sup>	PDU mode
-------------------------	----------

1	Text mode
---	-----------

## 11.5 AT+CMGL List SMS messages from preferred store

### Syntax

#### Test Command

AT+CMGL=?

#### Response(s)

+CMGL: (list of supported <stat>s)  
OK

#### Exec Command

AT+CMGL

#### Response(s)

+CMGL: (see write command for default of <stat>)  
OK

#### Write Command

AT+CMGL=<stat>

#### Response(s)

Output if text mode (AT+CMGF=1) and command successful:

For SMS- SUBMITs and/or SMS-DELIVERs

+CMGL: <index>, <stat>, <oa>/<da>, [<alpha>], [<scts>][, <toa>/<tda>, <length>]  
<data>  
[... ]  
OK

For SMS-STATUS-REPORTs

+CMGL: <index>, <stat>, <fo>, <mr>, [<ra>], [<tora>], <scts>, <dt>, <st>  
[... ]  
OK

For SMS-Commands

+CMGL: <index>, <stat>, <fo>, <ct>  
[... ]  
OK

Output if PDU mode AT+CMGF=0 and command successful:

For SMS-SUBMITs and/or SMS-DELIVERs

+CMGL: <index>, <stat>, [<alpha>], <length>  
<pdu>  
[... ]  
OK

If error is related to ME functionality

ERROR  
+CMS ERROR

PIN	ASC0	MUX1	MUX2	MUX3
●	●	●	●	●

Reference(s)
GSM 07.05

### Command Description

The execute command is the same as the write command with the given default for `<stat>`.

The write command returns messages with status value `<stat>` from message storage `<mem1>` to the TE. If status of the message is 'received unread', status in the storage changes to 'received read'.

### Notes

- The selected `<mem1>` can contain different types of SMS (e.g. SMS-DELIVERs, SMS-SUBMITs, SMS-STATUS-REPORTs and SMS-COMMANDs), the response may be a mix of the responses of different SM types. TE application can recognize the response format by examining the third response parameter.
- The parameters `<ra>` and `<tora>` will only be displayed if parameter `<ra>` of the `AT^SSCONF` command is set to 1.
- Filler "FF" will not be displayed in PDU status reports if parameter `<ff>` of the `AT^SSCONF` command is set to 1.
- This command can be used only after the SMS data from the SIM have been read successfully for the first time. Reading starts after successful SIM authentication has been performed, and may take up to 30 seconds depending on the SIM used. While the read process is in progress, an attempt to use any of the SMS read commands will result in "+CME Error: 14" (SIM busy)
- We recommend to take advantage of the "^SSIM READY" URC. If enabled with `AT^SSET`, this URC acknowledges to the user that SIM data is accessible after SIM PIN authentication. It will be delivered once the ME has completed reading data from the SIM card.

## 11.6 AT+CMGR Read SMS messages

### Syntax

Test Command

```
AT+CMGR=?
```

Response(s)

```
OK
```

Write Command

```
AT+CMGR=<index>
```

Response(s)

Output if text mode (**AT+CMGF=1**) and command successful:

For SMS-DELIVER

```
+CMGR: <stat>, <oa>, [<alpha>], <scts> [, <tooa>, <fo>, <pid>, <dcsc>, <sca>, <tosca>, <length>]
```

```
<data>
```

```
[...]
```

```
OK
```

For SMS-SUBMIT

```
+CMGR: <stat>, <da>, [<alpha>] [, <toda>, <fo>, <pid>, <dcsc>, [<vp>], <sca>, <tosca>, <length>]
```

```
<data>
```

```
[...]
```

```
OK
```

For SMS-STATUS-REPORT

```
+CMGR: <stat>, <fo>, <mr>, [<ra>], [<tora>], <scts>, <dt>, <st>
```

```
<data>
```

```
[...]
```

```
OK
```

For SMS-Commands

```
+CMGR: <stat>, <fo>, <ct> [, <pid>, [<mn>], [<da>], [<toda>], <length>]
```

```
<data>
```

```
[...]
```

```
OK
```

Output if PDU mode (**AT+CMGF=0**) and command successful:

For SMS-SUBMITs and/or SMS-DELIVERs

```
+CMGR: <stat>, [<alpha>], <length>
```

```
<pdu>
```

```
[...]
```

```
OK
```

```
ERROR
```

```
+CMS ERROR
```



PIN	ASC0	MUX1	MUX2	MUX3
●	●	●	●	●

Reference(s)
GSM 07.05

### Command Description

The write command returns SMS message with location value `<index>` from message storage `<mem1>` to the TE. If status of the message is 'received unread', status in the storage changes to 'received read'.

### Notes

- Response if `AT+CMGR` is used to read an empty record index: `+CMGR: 0,,0`
- Response if `AT+CMGR` is used to read a non-existent record index: `+CMS ERROR: invalid memory index`
- The parameters `<ra>` and `<tora>` will only be displayed if parameter `<ra>` of the `AT^SSCONF` command is set to 1.
- Filler "FF" will not be displayed in PDU status reports if parameter `<ff>` of the `AT^SSCONF` command is set to 1.
- This command can be used only after the SMS data from the SIM have been read successfully for the first time. Reading starts after successful SIM authentication has been performed, and may take up to 30 seconds depending on the SIM used. While the read process is in progress, an attempt to use any of the SMS read commands will result in "+CME Error: 14" (SIM busy)
- We recommend to take advantage of the "^SSIM READY" URC. If enabled with `AT^SSET`, this URC acknowledges to the user that SIM data is accessible after SIM PIN authentication. It will be delivered once the ME has completed reading data from the SIM card.

## 11.7 AT+CMGS Send SMS message

### Syntax

Test Command

```
AT+CMGS=?
```

Response(s)

```
OK
```

Write Command

If text mode (see [AT+CMGF=1](#))

```
AT+CMGS=<da>[, <tda>]<CR> Text can be entered. <CTRL-Z>/<ESC>
```

Response(s)

```
+CMGS: <mr>[, <scts>]
```

```
OK
```

If sending fails see notes below.

Write Command

If PDU mode (see [AT+CMGF=0](#))

```
AT+CMGS=<length><CR> PDU can be entered. <CTRL-Z>/<ESC>
```

Response(s)

```
+CMGS: <mr>[, <ackpdu>]
```

```
OK
```

If sending fails see notes below.

PIN	ASC0	MUX1	MUX2	MUX3
●	●	●	●	●

Reference(s)

```
GSM 07.05
```

### Command Description

The write command transmits a short message from TE to network (SMS-SUBMIT).

After invoking the write command wait for the prompt ">" and then start to write the message. To send the message simply enter <CTRL-Z>. After the prompt a timer will be started to observe the input.

To abort sending use <ESC>. Abortion is acknowledged with "OK", though the message will not be sent.

The message reference <mr> is returned to the TE on successful message delivery. The value can be used to identify the message in a delivery status report provided as an unsolicited result code.

### Notes

- If sending fails, for example, if a message is too long, the result code depends on the current setting of the [AT^SM20](#) command:

If the `AT^SM20 <CmgwMode>` equals 1 (factory default) any failure to send a message is responded with "OK". Users should be aware, that despite the "OK" response, the message will not be sent to the subscriber. If the `AT^SM20 <CmgwMode>` equals 0 any failure to send a message is responded with "ERROR".

- If sending fails due to timeout, then  
`AT^SM20 <CmgwMode>=1` causes "+CMS ERROR: Unknown error" to be returned;  
`AT^SM20 <CmgwMode>=0` causes "+CMS ERROR: timer expired" to be returned.
- Note that some providers do not recognize an @ symbol used in a short message. A widely used alternative is typing "\*" as defined in GSM 03.40 (GPP TS 23.40).
- All characters entered behind the prompt ">" will be recognized as GSM characters. For example, "Backspace" (ASCII character 8) does not delete a character, but will be inserted into the short message as an additional physical character. As a result, the character you wanted to delete still appears in the text, plus the GSM code equivalent of the Backspace key.
- In text mode, the maximum length of an SMS depends on the used coding scheme: It is 160 characters if the 7 bit GSM coding scheme is used, and 140 characters according to the 8 bit GSM coding scheme.
- At baudrates lower than 19200 it is recommended to use the line termination character only (refer to <n> of `ATS3`, default <CR>) before entering text or PDU. Use of the line termination character followed by the response formatting character (see <n> of `ATS4`, default <LF>) can cause problems.

## 11.8 AT+CMGW Write SMS messages to memory

### Syntax

Test Command

AT+CMGW=?

Response(s)

OK

Exec Command

If text mode (see [AT+CMGF=1](#)):

AT+CMGW

Response(s)

<CR> Text can be entered. <CTRL-Z>/<ESC>

+CMGW: <index>

OK

If writing fails

ERROR

+CMS ERROR

Write Command

If text mode (see [AT+CMGF=1](#)):

AT+CMGW=<oa>/<da> [, [<toa>/<toda>]][, <stat>]] <CR> Text can be entered. <CTRL-Z>/<ESC>

Response(s)

+CMGW: <index>

OK

If writing fails see notes below.

Write Command

If PDU mode (see [AT+CMGF=0](#)):

AT+CMGW=<length> [, <stat>] <CR> PDU can be entered. <CTRL-Z>/<ESC>

Response(s)

+CMGW: <index>

OK

If writing fails see notes below.

PIN	ASC0	MUX1	MUX2	MUX3
●	●	●	●	●

Reference(s)

GSM 07.05

### Command Description

The execute and write commands transmit SMS (either SMS-DELIVER or SMS-SUBMIT) from TE to memory storage `<mem2>`. Memory location `<index>` of the stored message is returned. Message status will be set to 'stored unsent' unless otherwise given in parameter `<stat>`.

After invoking the execute or write command wait for the prompt ">" and then start to write the message. To save the message simply enter `<CTRL-Z>`. After the prompt a timer will be started to observe the input.

To abort writing use `<ESC>`. Abortion is acknowledged with "OK", though the message will not be saved.

### Notes

- If writing fails, for example, if a message is too long, the result code depends on the current setting of the `AT^SM20` command:  
If the `AT^SM20 <CmgwMode>=1` (factory default) any failure to send a message is responded with "OK". Users should be aware, that despite the "OK" response, the message will not be written to the selected SMS storage.  
If the `AT^SM20 <CmgwMode>` equals 0 any failure to write a message is responded with "ERROR".
- If writing fails due to timeout, then  
`AT^SM20 <CmgwMode>=1` causes "+CMS ERROR: Unknown error" to be returned;  
`AT^SM20 <CmgwMode>=0` causes "+CMS ERROR: timer expired" to be returned.
- Note that some providers do not recognize an @ symbol used in a short message. A widely used alternative is typing "\*" as defined in GSM 03.40 (GPP TS 23.40).
- For baudrates lower than 19200 it is recommended to use the line termination character only (refer to `ATS3= <n>`, default `<CR>`) before entering the text or PDU. Use of the line termination character followed by the response formatting character (see `ATS4= <n>`, default `<LF>`) may cause problems.
- SMS-COMMANDS and SMS-STATUS-REPORTs cannot be stored in text mode.
- All characters entered behind the ">" prompt will be recognized as GSM characters. For example, "Backspace" (ASCII character 8) does not delete a character, but will be inserted into the short message as an additional physical character. As a result, the character you wanted to delete still appears in the text, plus the GSM code equivalent of the Backspace key.
- In text mode, the maximum length of an SMS depends on the used coding scheme: It is 160 characters if the 7 bit GSM coding scheme is used, and 140 characters according to the 8 bit GSM coding scheme.
- The length of 8-bit data coded short messages has to be greater than 0.

## 11.9 AT+CMSS Send SMS messages from storage

### Syntax

Test Command

AT+CMSS=?

Response(s)

OK

Write Command

If text mode ([AT+CMGF=1](#)):

AT+CMSS=<index> [, <da>[, <toda>]]

Response(s)

+CMSS: <mr>[, <scts>]

OK

If sending fails

ERROR

+CMS ERROR

Write Command

If PDU mode ([AT+CMGF=0](#)):

AT+CMSS=<index> [, <da>[, <toda>]]

Response(s)

+CMSS: <mr>[, <ackpdu>]

OK

If sending fails

ERROR

+CMS ERROR

PIN	ASC0	MUX1	MUX2	MUX3
●	●	●	●	●

Reference(s)

GSM 07.05

### Command Description

The write command sends message with location value <index> from message storage <mem2> to the network (SMS-SUBMIT or SMS-COMMAND). If new recipient address <da> is given for SMS-SUBMIT, it shall be used instead of the one stored with the message. Reference value <mr> is returned to the TE on successful message delivery. Value can be used to identify message upon unsolicited delivery status report result code.

If the optional parameter <da> is given, the old status of the short message at <index> remains unchanged (see <stat>).

## 11.10 AT+CNMA New SMS message acknowledge to ME/TE, only phase 2+

### Syntax

Test Command

```
AT+CNMA=?
```

Response(s)

```
+CNMA: (list of supported <n>s)  
OK
```

Exec Command

```
AT+CNMA
```

Response(s)

```
OK  
ERROR  
+CMS ERROR
```

Write Command

```
AT+CNMA=<n>
```

Response(s)

```
OK  
ERROR  
+CMS ERROR
```

PIN	ASC0	MUX1	MUX2	MUX3
●	●	●	●	●

Reference(s)

GSM 07.05

### Command Description

The write / execute command confirms successful receipt of a new message (SMS-DELIVER or SMS-STATUS-REPORT) routed directly to the TE. TA shall not send another +CMT or +CDS result code to TE until previous one is acknowledged. If ME does not receive acknowledgment within required time (network time-out), ME sends RP-ERROR to the network. TA shall automatically disable routing to TE by setting both <mt> and <ds> values of AT+CNMI to zero.

### Parameter Description

<n><sup>(num)</sup>

0

Parameter is only required for PDU mode. Command operates similarly as in text mode

### Notes

- The execute / write command shall only be used when `AT+CSMS` parameter `<service>` equals 1 (= phase 2+).
- Both the execute and the write command can be used no matter whether text mode or PDU mode is activated.
- If multiplex mode is activated (`AT+CMUX=0`) the `AT+CNMI` parameter will be set to zero on all channels, if one channel fails to acknowledge an incoming message within the required time.



## 11.11 AT+CNMI New SMS message indications

### Syntax

#### Test Command

AT+CNMI=?

#### Response(s)

+CNMI: (list of supported<mode>s), (list of supported<mt>s), (list of supported<bm>s), (list of supported<ds>s), (list of supported<bfr>s)  
OK

#### Read Command

AT+CNMI?

#### Response(s)

+CNMI: <mode>, <mt>, <bm>, <ds>, <bfr>  
OK

#### Write Command

AT+CNMI=[<mode>][, <mt>][, <bm>][, <ds>][, <bfr>]

#### Response(s)

OK  
ERROR  
+CMS ERROR

PIN ASC0 MUX1 MUX2 MUX3



#### Reference(s)

GSM 07.05

### Unsolicited Result Codes

#### URC 1

<mt>=1:

+CMTI: <mem3>, <index>

Indicates that new message has been received

#### URC 2

<mt>=2 (PDU mode enabled):

+CMT: <length><CR><LF><pdu>

Indicates that new message has been received

URC 3

<mt>=2 (text mode enabled):

+CMT: <oa>, <scts>[, <tooa>, <fo>, <pid>, <dcs>, <sca>, <tosca>, <length>]<CR><LF><data>

Indicates that new message has been received

URC 4

<bm>=2 (PDU mode enabled):

+CBM: <length><CR><LF><pdu>

Indicates that new cell broadcast message has been received

URC 5

<bm>=2 (text mode enabled):

+CBM: <sn>, <mid>, <dcs>, <page>, <pages><CR><LF><data>

Indicates that new cell broadcast message has been received

URC 6

<ds>=1 (PDU mode enabled):

+CDS: <length><CR><LF><pdu>

Indicates that new SMS status report has been received

URC 7

<ds>=1 (text mode enabled):

+CDS: <fo>, <mr>[, <ra>][, <tora>], <scts>, <dt>, <st>

Indicates that new SMS status report has been received

URC 8

<ds>=2:

+CDSI: <mem3>, <index>

Indicates that new SMS status report has been received

### Command Description

The write command selects the procedure how the receipt of new SMS messages from the network is indicated to the TE when TE is active, e.g. DTR signal is ON. If TE is inactive (e.g. DTR signal is OFF), message receiving should be done as specified in GSM 03.38. If the DTR signal is not available or the state of the signal is ignored (V.25ter command AT&D0), reliable message transfer can be ensured by using AT+CNMA acknowledgment procedure.

### Parameter Description

<mode> <sup>(num)&amp;W)&amp;V)</sup>	
[0] <sup>&amp;F)</sup>	Buffer unsolicited result codes in the TA. If TA result code buffer is full, indications can be buffered in some other place or the oldest indications may be discarded and replaced with the new received indications.
1	Discard indication and reject new received message unsolicited result codes when TA-TE link is reserved (e.g. in on-line data mode). Otherwise forward them directly to the TE.

- |   |  |
|---|--|
| 2 | Buffer unsolicited result codes in the TA when TA-TE link is reserved (e.g. in on-line data mode) and flush them to the TE after reservation. Otherwise forward them directly to the TE. |
| 3 | Forward unsolicited result codes directly to the TE. TA-TE link specific inband technique used to embed result codes and data when TA is in on-line data mode.                           |

`<mt>`<sup>(num)(&W)(&V)</sup>

Rules for storing received SMS depend on the relevant data coding method (refer to GSM 03.38), preferred memory storage ([AT+CPMS](#)) setting and this value.

Note: If AT command interface is acting as the only display device, the ME must support storage of class 0 messages and messages in the message waiting indication group (discard message)

- |                                      |   |
|--------------------------------------|---|
| <code>[0]</code> <sup>(&amp;F)</sup> | No SMS-DELIVER indications are routed to the TE.  |
| 1                                    | If SMS-DELIVER is stored in ME/TA, indication of the memory location is routed to the TE using unsolicited result code.   |
| 2                                    | SMS-DELIVERs, except class 2 messages and messages in the message waiting indication group (store message) are routed directly to the TE using unsolicited result code.   |
| 3                                    | Class 3 SMS-DELIVERs are routed directly to the TE using unsolicited result codes defined in <code>&lt;mt&gt;=2</code> . Messages of other data coding schemes result in indication as defined in <code>&lt;mt&gt;=1</code> . |

`<bm>`<sup>(num)(&W)(&V)</sup>

Rules for storing received CBMs depend on the relevant data coding method (refer to GSM 03.38), the setting of Select CBM Types ([AT+CSCB](#)) and this value:

- |                                      |  |
|--------------------------------------|--|
| <code>[0]</code> <sup>(&amp;F)</sup> | No CBM indications are routed to the TE.   |
| 2                                    | New CBMs are routed directly to the TE using unsolicited result code.  |
| 3                                    | Class 3 CBMs are routed directly to TE using unsolicited result codes defined in <code>&lt;bm&gt;=2</code> . |

`<ds>`<sup>(num)(&W)(&V)</sup>

- |                                      |   |
|--------------------------------------|---|
| <code>[0]</code> <sup>(&amp;F)</sup> | No SMS-STATUS-REPORTs are routed to the TE.   |
| 1                                    | SMS-STATUS-REPORTs are routed to the TE using unsolicited result code.  |
| 2                                    | If SMS-STATUS-REPORT is routed into ME/TA, indication of the memory location is routed to the TE using unsolicited result code. |

`<bfr>`<sup>(num)(&W)(&V)</sup>

- |                                      |   |
|--------------------------------------|---|
| <code>[1]</code> <sup>(&amp;F)</sup> | TA buffer of unsolicited result codes defined within this command is cleared when <code>&lt;mode&gt; 1...3</code> is entered. |
|--------------------------------------|---|

`<index>`<sup>(num)</sup>

Integer type; value in the range of location numbers supported by the associated memory

### Notes

- Each time an SMS or Cell Broadcast Message is received, the Ring Line goes Logic "1" for one second.

- Requirements specific to Multiplex mode:  
In multiplex mode (`AT+CMUX=0`) only one channel can use a phase 2+ parameter. The parameter for `<mt>` and `<ds>` on the other channels have to be set to zero. If either a SM or a Status Report is not acknowledged, all `AT+CNMI` parameter in all channels will be set to zero.
- Handling of Class 0 short messages:  
If the host application is provided with a display and `AT^SSDA=1` has been set Class 0 short messages can be displayed immediately.  
If the host application does not include a display, ME handles Class 0 short messages as though there was no message class, i.e. it will ignore bits 0 and 1 in the `<dcs>` and normal rules for exceeded memory capacity shall apply. This approach is compliant with GSM 03.38 .
- The parameters `<ra>` and `<tora>` will only be displayed if `<ra>` of the `AT^SSCONF` command is set to 1.
- Filler "FF" will not be displayed in PDU status reports if the parameter `<ff>` of `AT^SSCONF` command is set to 1.
- If either a SM or a Status Report is not acknowledged, all `AT+CNMI` parameters in all channels will be set to zero.
- If the ME operates on different instances (MUX channels 1, 2, 3) avoid different settings for routing and indicating SMS. For example, if messages shall be routed directly to one instance of the TE (set with `AT+CNMI`, `AT^SSDA`), it is not possible to activate the presentation of URCs with `AT+CMER` or `AT+CNMI` on another instance. Any attempt to activate settings that conflict with existing settings on another interface, will result in CME ERROR, or accordingly CMS ERROR.

## 11.12 AT+CPMS Preferred SMS message storage

### Syntax

#### Test Command

```
AT+CPMS=?
```

#### Response(s)

```
+CPMS: (list of supported <mem1>s), (list of supported <mem2>s), (list of supported <mem3>s)  
OK
```

#### Read Command

```
AT+CPMS?
```

#### Response(s)

```
+CPMS: <mem1>, <used1>, <total1>, <mem2>, <used2>, <total2>, <mem3>, <used3>, <total3>  
OK  
ERROR  
ERROR  
+CMS ERROR
```

#### Write Command

```
AT+CPMS=<mem1>[, <mem2>[, <mem3>]]
```

#### Response(s)

```
+CPMS: <used1>, <total1>, <used2>, <total2>, <used3>, <total3>  
OK  
ERROR  
ERROR  
+CMS ERROR
```

PIN	ASC0	MUX1	MUX2	MUX3
●	●	●	●	●

#### Reference(s)

GSM 07.05

### Command Description

The write command selects memory storages <mem1>, <mem2>, <mem3> to be used for reading, writing, etc.

### Parameter Description

<used1><sup>(num)</sup>

Number of messages currently in <mem1>

<used2><sup>(num)</sup>

Number of messages currently in <mem2>

<used3><sup>(num)</sup>

Number of messages currently in <mem3>

<total1><sup>(num)</sup>

Number of messages storable in <mem1>

<total2><sup>(num)</sup>

Number of messages storable in <mem2>

<total3><sup>(num)</sup>

Number of messages storable in <mem3>

## Notes

- The Mobile Equipment storage "ME" offers space for 25 short messages, see <mem1>.
- "MT" is the sum of "ME" (= 25 locations) and "SM" (capacity varies with SIM card). The indices <index> of the "MT" storage are dependent on the order selected with AT^SSMSS
- The <mem1>, <mem2> and <mem3> parameter will be stored in non-volatile memory.
- The user should be aware that the setting "MT" involves "ME" and "SM", with "ME" being filled up first. If the "ME" storage is full, TC35i will proceed with the "SM" storage.  
Incoming Class 1 short messages (ME specific) will be preferably stored to "ME" and may be transferred to the "SM" storage if "ME" is used up.  
Incoming Class 2 messages (SIM specific) will be stored to the SIM card only, no matter whether or not there is free "ME" space. As a result, the ^SMGO: 2 indication (see AT^SMGO) may be presented without prior indication of ^SMGO: 1. For more information regarding SIM and ME specific message classes refer to <dcs> and the following specifications: GSM 03.38 and 3GPP TS23038.
- When <mem3> is switched over from "MT" to "SM" all free "ME" locations will be filled with dummy short messages. This procedure can take up to 35 seconds, until all the 25 records are written.  
If switching from "MT" to "SM" was not finished due to error or user break, the value of <mem3> remains "MT", but some of the dummy records remain in the "ME" storage. These records have to be deleted manually.  
When <mem3> equals "SM", do not delete the dummy messages in the "ME" storage. They will be automatically deleted when you switch back from "SM" to "MT". Again, this may take up to 35 seconds.  
If switching from "SM" to "MT" was not finished due to an error or user break, the value of <mem3> remains "SM", but the "ME" storage will no longer be filled with dummy records. New incoming short messages may now be written to the "ME" storage, if "SM" is already full. To avoid this, repeat the AT+CPMS command as soon as possible to switch <mem3> back to "MT". As an alternative, you can manually delete the dummy records and issue AT+CPMS=MT,MT,MT.
- Multiplexer: In Multiplex mode or when the two physical serial interfaces are connected, the parameter <mem3> will be the same on all instances, but the settings of <mem1> and <mem2> may vary on each channel / interface. As a result, changes on parameter <mem1> and/or <mem2> before activating the multiplexer or differences values for other instances can result in not desired behaviours like different outputs for AT+CMGL and so on.
- While <mem3> equals "SM" and <mem1> equals "ME" it is possible that, after deleting short messages from "ME", the freed space on "ME" is reclaimed for new incoming short messages, when there is no space left on the "SM" storage. As it is often the clients concern to have received short messages stored only to the SIM

card, inconsistent settings should be generally avoided. This can be achieved simply by using the same parameter for all memory indices.

- The indices `<index>` of the storage are dependent on the order selected with `AT^SSMSS`.

## 11.13 AT+CSCA SMS service centre address

### Syntax

Test Command

```
AT+CSCA=?
```

Response(s)

```
OK
```

Read Command

```
AT+CSCA?
```

Response(s)

```
+CSCA: <sca>, <tosca>
```

```
OK
```

Write Command

```
AT+CSCA=<sca>[, <tosca>]
```

Response(s)

```
OK
```

PIN	ASC0	MUX1	MUX2	MUX3
●	●	●	●	●

Reference(s)

```
GSM 07.05
```

### Command Description

Write command updates the SMSC address, through which mobile originated SMs are transmitted. In text mode, setting is used by send and write commands. In PDU mode, setting is used by the same commands, but only when the length of the SMSC address coded into `<pdu>` parameter equals zero.

### Notes

- In case of using no parameter after AT+CSCA= the content of `<sca>` will be deleted
- This command writes the service centre address to non-volatile memo
- The SMS service centre address should be entered as specified by the service provider



## 11.14 AT+CSCB Select Cell Broadcast Message Indication

### Syntax

#### Test Command

AT+CSCB=?

#### Response(s)

+CSCB: (list of supported <mode>s)  
OK

#### Read Command

AT+CSCB?

#### Response(s)

+CSCB: <mode>, <mids>, <dcss>  
OK

#### Write Command

AT+CSCB=[<mode>[, <mids>[, <dcss>]]]

#### Response(s)

OK

PIN	ASC0	MUX1	MUX2	MUX3
●	●	●	●	●

#### Reference(s)

GSM 07.05

### Command Description

Test command returns supported modes as a compound value.

Write command selects which types of CBMs are to be received by the ME.

### Parameter Description

<mode><sup>(num)</sup>

Message mode

- |     |   |
|-----|---|
| [0] | Accept messages that are defined in <mids> and <dcss> |
| 1   | Forbid messages that are defined in <mids> and <dcss> |

<mids><sup>(str)</sup>

Cell Broadcast Message ID specification

- For `<mode>=0`: Six different possible combinations of CBM IDs (e.g. "0,1,5,320-478,922,2000-3000"), default is empty string.  
In certain configurations, e.g. if using SIMs that contain data in Elementary File EF-CBMID (Cell Broadcast Message Identifier for Data download) less than six combinations may be available.  
To access a SIM's Elementary File data refer to command [AT+CRSM](#).
- For `<mode>=1`: One CBM ID or range of IDs (e.g. "320-478"), default is empty string.

`<dcss>`<sup>(str)</sup>

CBM data coding scheme specification

All different possible combinations of CBM data coding schemes (e.g. "0-3,5"). Using default empty string leads to get all CBMs independent of their dcss.

A given `<dcss>` replaces any former value and is used for consecutive requests.

## 11.15 AT+CSDH Show SMS text mode parameters

### Syntax

Test Command

AT+CSDH=?

Response(s)

+CSDH: ((list of supported <show>s)  
OK

Read Command

AT+CSDH?

Response(s)

+CSDH: <show>  
OK

Write Command

AT+CSDH=<show>

Response(s)

+CSDH: <show>  
OK

PIN	ASC0	MUX1	MUX2	MUX3
●	●	●	●	●

Reference(s)

GSM 07.05

### Command Description

Write command sets whether or not detailed header information is shown in text mode result codes.

### Parameter Description

<show><sup>(num)(&W)</sup>

[0]<sup>(&F)</sup>

Do not show header values defined in commands [AT+CSCA](#) and [AT+CSMP](#) (<sca>, <tosca>, <fo>, <vp>, <pid> and <dcs>) nor <length>, <toda> or <tooa> in "+CMTI", [AT+CMGL](#), [AT+CMGR](#) result codes for SMS-DELIVERs and SMS-SUBMITs in text mode; for SMS-COMMANDs in +CMGR result code, do not show <pid>, <mn>, <da>, <toda>, <length> or <cdata>

1

Show the values in result codes

## 11.16 AT+CSMP Set SMS text mode parameters

### Syntax

Test Command

```
AT+CSMP=?
```

Response(s)

```
OK
```

Read Command

```
AT+CSMP?
```

Response(s)

```
+CSMP: <fo>, <vp>/ <scts>, <pid>, <dc>
```

```
OK
```

Write Command

```
AT+CSMP=<fo> [, <vp>/<scts>[, <pid>[, <dc>]]]
```

Response(s)

```
+CSMP: <index>
```

```
OK
```

If sending fails

```
ERROR
```

```
+CMS ERROR
```

PIN	ASC0	MUX1	MUX2	MUX3
●	●	●	●	●

Reference(s)

```
GSM 07.05
```

### Command Description

The write command selects values for additional parameters needed when SM is sent to the network or placed in a storage when text format message mode is selected.

It is possible to set the validity period starting from when the SM is received by the SMSC (<vp> is in range 0...255) or define the absolute time of the validity period termination (<vp> is a string). The format of <vp> is given by <fo>. If TA supports the enhanced validity period format, see GSM 03.40), it shall be given as a hexadecimal coded string (e.g. <pdu>) with quotes.

### Parameter Description

<fo><sup>(num)</sup>

First Octet

depending on the command or result code: first octet of GSM 03.40 SMS-DELIVER, SMS-SUBMIT (default 17), SMS-STATUS-REPORT, or SMS-COMMAND (default 2) in integer format

0...17<sup>(&F)</sup>...255

<vp><sup>(num)</sup>

Depending on SMS-SUBMIT <fo> setting: GSM 03.40 TP-Validity-Period either in integer format or in time-string format (refer <dt>)

0...167<sup>(&F)</sup>...255

<dcS><sup>(num)</sup>

Data Coding Scheme

GSM 03.38 SMS Data Coding Scheme, or Cell Broadcast Data Coding Scheme in integer format

0<sup>(&F)</sup>...247

<pid><sup>(num)</sup>

Protocol Identifier

GSM 03.40 TP-Protocol-Identifier in integer format

0<sup>(&F)</sup>...255

### Notes

- When storing a SMS DELIVER from the TE to the preferred memory storage in text mode (using the [AT+CMGW](#) write command), <vp> field can be used for <scts>.
- The command writes the parameters to the non-volatile memory.

## 11.17 AT+CSMS Select Message Service

### Syntax

#### Test Command

AT+CSMS=?

#### Response(s)

+CSMS: (list of supported<service>s)  
OK

#### Read Command

AT+CSMS?

#### Response(s)

+CSMS: <service>, <mt>, <mo>, <bm>  
OK

#### Write Command

AT+CSMS=<service>

#### Response(s)

+CSMS: <mt>, <mo>, <bm>  
OK  
ERROR  
+CMS ERROR

PIN	ASC0	MUX1	MUX2	MUX3
●	●	●	●	●

#### Reference(s)

GSM 07.05

### Parameter Description

<service><sup>(num)</sup>

0	GSM 03.40 and GSM 03.41 (the syntax of SMS AT commands is compatible with GSM 07.05 Phase 2 version 4.7.0; Phase 2+ features which do not require new command syntax may be supported, e.g. correct routing of messages with new Phase 2+ data coding schemes)
1	GSM 03.40 and GSM 03.41 (the syntax of SMS AT commands is compatible with GSM 07.05 Phase 2+ version; the requirement of <service> setting 1 is mentioned under corresponding command descriptions).

<mt><sup>(num)</sup>

Mobile Terminated Messages:

0	Type not supported
1	Type supported

<mo><sup>(num)</sup>

Mobile Originated Messages:

0	Type not supported
1	Type supported

<bm><sup>(num)</sup>

Broadcast Type Messages:

0	Type not supported
1	Type supported

**Note**

- If CSMS is switched to <service>= 1, all messages with phase 2+ (see [AT+CNMI](#) with mt= 2, mt= 3, ds= 1) have to be acknowledged with [AT+CNMA](#).

## 11.18 AT^SCML List Concatenated SMS messages from preferred store

### Syntax

Test Command

AT^SCML=?

Response(s)

^SCML: (list of supported <stat>s)  
OK

Exec Command

AT^SCML

Response(s)

^SCML: (see write command for default of <stat>)  
OK

Write Command

AT^SCML=<stat>

Response(s)

Output if text mode (AT+CMGF=1) and command successful:

For SMS-SUBMITs and/or SMS-DELIVERs

^SCML: <index>, <stat>, <oa>/<da>, [<alpha>], [<scts>], [<toa>/<toda>, <length>], [<seq>, <max>, <ieia>, <ref>]

<data>

[...]

OK

For SMS-STATUS-REPORTs

^SCML: <index>, <stat>, <fo>, <mr>, [<ra>], [<tora>], <scts>, <dt>, <st>

[...]

OK

For SMS-Commands

^SCML: <index>, <stat>, <fo>, <ct>

[...]

OK

Output if PDU mode (AT+CMGF=0) and command successful:

For SMS- SUBMITs and/or SMS-DELIVERs

^SCML: <index>, <stat>, [<alpha>], <length>

<pdu>

[...]

OK

If error is related to ME functionality



Write Command

(Continued)

AT^SCML=<stat>

Response(s)

ERROR  
+CMS ERROR

PIN	ASC0	MUX1	MUX2	MUX3
●	●	●	●	●

Reference(s)

SIEMENS

### Command Description

The execute command is the same as the write command with the given default for <stat>.

The write command returns messages with status value <stat> from message storage <mem1> to the TE. If status of the message is 'received unread', status in the storage changes to 'received read'.

### Note

- See notes of [AT+CMGL](#).

## 11.19 AT^SCMR Read concatenated SMS messages

### Syntax

Test Command

```
AT^SCMR=?
```

Response(s)

```
OK
```

Write Command

```
AT^SCMR=<index>
```

Response(s)

Output if text mode (**AT+CMGF=1**) and command successful:

For SMS-DELIVER

```
^SCMR: <stat>, <oa>, [<alpha>], <scts> [, <tooa>, <fo>, <pid>, <dcsc>, <sca>, <tosca>, <length>] [, <seq>, <max>, <ieia>, <ref>]  
<data>
```

```
[...]
```

```
OK
```

For SMS-SUBMIT

```
^SCMR: <stat>, <da>, [<alpha>] [, <toda>, <fo>, <pid>, <dcsc>, [<vp>], <sca>, <tosca>, <length>] [, <seq>, <max>, <ieia>, <ref>]  
<data>
```

```
[...]
```

```
OK
```

For SMS-STATUS-REPORT

```
^SCMR: <stat>, <fo>, <mr>, [<ra>], [<tora>], <scts>, <dt>, <st>  
<data>
```

```
[...]
```

```
OK
```

For SMS-Commands

```
^SCMR: <stat>, <fo>, <ct> [, <pid>, [<mn>], [<da>], [<toda>], <length>]  
<data>
```

```
[...]
```

```
OK
```

Output if PDU mode (**AT+CMGF=0**) and command successful:

For SMS-SUBMITs and/or SMS-DELIVERs

```
^SCMR: <stat>, [<alpha>], <length>
```

```
<pdu>
```

```
[...]
```

```
OK
```

```
ERROR
```

```
+CMS ERROR
```

PIN	ASC0	MUX1	MUX2	MUX3
●	●	●	●	●

Reference(s)
SIEMENS

### **Command Description**

The write command returns SMS message with location value `<index>` from message storage `<mem1>` to the TE. If status of the message is 'received unread', status in the storage changes to 'received read'.

### **Note**

- See notes of [AT+CMGR](#)

## 11.20 AT^SCMS Send concatenated SMS messages

Sending a concatenated message is similar to sending a "normal" message, except that each segment of the concatenated message must be identified by the additional parameters `<seq>`, `<ieia>` and `<ref>`. To send all segments of the message one by one, the `AT^SCMS` write command must be executed for each segment.

### Syntax

Test Command

```
AT^SCMS=?
```

Response(s)

```
OK
```

Write Command

Command syntax for text mode (see `AT+CMGF=1`):

```
AT^SCMS=<da>[, <toda>], <seq>, <max>, <ieia>, <ref><CR> Text can be entered <CTRL-Z>/<ESC>
```

Response(s)

```
+CMGS: <mr>[, <scts>]
```

```
OK
```

If sending fails

```
ERROR
```

```
+CMS ERROR
```

PIN	ASC0	MUX1	MUX2	MUX3
●	●	●	●	●

Reference(s)

```
SIEMENS
```

### Command Description

The write command transmits one segment of a concatenated short message from TE to network (SMS-SUBMIT).

After invoking the write command wait for the prompt ">" and then start to write the message. To send the message simply enter `<CTRL-Z>`. After the prompt a timer will be started to observe the input.

To abort sending use `<ESC>`. Abortion is acknowledged with "OK", though the message will not be sent.

The message reference `<mr>` is returned to the TE on successful message delivery. The value can be used to identify the message in a delivery status report provided as an unsolicited result code.

### Notes

- See notes provided for `AT+CMGS`.
- Command is only available if `AT+CMGF=1`.

## 11.21 AT^SCMW Write concatenated SMS messages to memory

Writing a concatenated message to the memory is similar to writing a "normal" message, except that each segment of the concatenated message must be identified by the additional parameters `<seq>`, `<ieia>` and `<ref>`. To store all segments of the message one by one, the `AT^SCMW` write command must be executed for each segment.

### Syntax

Test Command

```
AT^SCMW=?
```

Response(s)

```
OK
```

Write Command

If text mode (see `AT+CMGF=1`)

```
AT^SCMW=<oa>/<da>, [<tooa>/<toda>][, <stat>], <seq>, <max>, <ieia>, <ref> <CR> Text can be entered. <CTRL-Z>/<ESC>
```

Response(s)

```
^SCMW: <index>
```

```
OK
```

If writing fails

```
ERROR
```

```
+CMS ERROR
```

PIN	ASC0	MUX1	MUX2	MUX3
●	●	●	●	●

Reference(s)

```
SIEMENS
```

### Command Description

The write commands transmits one segment of a concatenated SMS (either SMS-DELIVER or SMS-SUBMIT) from TE to memory storage `<mem2>`. Memory location `<index>` of the stored message is returned. Message status will be set to 'stored unsent' unless otherwise given in parameter `<stat>`.

### Notes

- Command is only available if `AT+CMGF=1`.
- To send or delete a concatenated short message please use the known SMS commands, see `AT+CMSS` for sending and `AT+CMGD` for deleting.
- See notes provided for `AT+CMGW`.

## 11.22 AT^SLMS List SMS Memory Storage

### Syntax

Test Command

```
AT^SLMS=?
```

Response(s)

```
OK
```

Exec Command

```
AT^SLMS
```

Response(s)

```
^SLMS: "MT",<total3>, <used3>
```

```
^SLMS: "SM",<total1>, <used1>
```

```
^SLMS: "ME",<total2>, <used2>
```

```
OK
```

```
ERROR
```

```
+CMS ERROR
```

PIN	ASC0	MUX1	MUX2	MUX3
●	●	●	●	●

Reference(s)

SIEMENS

### Command Description

The execute command indicates the maximum capacity of each SMS storage type and the number of locations currently used.

### Parameter Description

<total1><sup>(num)</sup>

Maximum number of messages storable in the SMS memory of the SIM (physical storage "SM")

<total2><sup>(num)</sup>

Maximum number of messages storable in the SMS memory of the Mobile Equipment (physical storage "ME")

<total3><sup>(num)</sup>

Sum of "SM" and "ME", indicated as "MT". Maximum number of all messages storable in the SIM memory and the Mobile Equipment memory.

<used1><sup>(num)</sup>

Number of messages currently stored in the SMS memory of the SIM (physical storage "SM")

<used2><sup>(num)</sup>

Number of messages currently stored in the SMS memory of the Mobile Equipment (physical storage "ME")

<used3><sup>(num)</sup>

Concatenated logical SMS storages of SIM ("SM") and Mobile Equipment ("ME"). Sum of all messages currently stored, indicated as "MT".

## 11.23 AT^SMGL List SMS messages from preferred store without setting status to REC READ

### Syntax

Test Command

AT^SMGL=?

Response(s)

same as [AT+CMGL](#)

Exec Command

AT^SMGL

Response(s)

^SMGL: (For default values of <stat>, see Chapter "[SMS parameters](#).)

OK

Write Command

AT^SMGL=<stat>

Response(s)

same as [AT+CMGL](#)

PIN	ASC0	MUX1	MUX2	MUX3
●	●	●	●	●

Reference(s)

SIEMENS

### Command Description

The execute command is the same as the write command, but uses the given default of <stat>.

The write command allows to select a status type and lists, from the message storage <mem1>, all messages that currently have the specified <stat>. The major difference over the standard command [AT+CMGL](#) is that the status of the listed messages remains unchanged (unread remains unread).

### Notes

- The selected <mem1> can contain different types of SMS (e.g. SMS-DELIVERs, SMS-SUBMITs, SMS-STATUS-REPORTs and SMS-COMMANDs), the response may be a mix of the responses of different SM types. TE application can recognize the response format by examining the third response parameter.
- This command can be used only after the SMS data from the SIM have been read successfully for the first time. Reading starts after successful SIM authentication has been performed, and may take up to 30 seconds depending on the SIM used. While the read process is in progress, an attempt to use any of the sms read commands will result in "+CME Error: 14" (SIM busy)



- We recommend to take advantage of the "^SSIM READY" URC. If enabled with [AT^SSET](#), this URC acknowledges to the user that SIM data is accessible after SIM PIN authentication. It will be delivered once the ME has completed reading data from the SIM card.

## 11.24 AT^SMGO Set or query SMS overflow presentation mode or query SMS overflow

### Syntax

Test Command

```
AT^SMGO=?
```

Response(s)

```
^SMGO: (list of supported<n>s)  
OK
```

Read Command

```
AT^SMGO?
```

Response(s)

```
^SMGO: <n>, <mode>  
OK  
ERROR  
+CMS ERROR
```

Write Command

```
AT^SMGO=<n>
```

Response(s)

```
OK  
ERROR  
CME ERROR
```

PIN	ASC0	MUX1	MUX2	MUX3
●	●	●	●	●

Reference(s)

SIEMENS

### Unsolicited Result Code

SMS buffer change:

```
^SMGO: <mode>
```

Status of SMS buffer has changed.

### Command Description

The read command returns overflow presentation mode and SMS overflow status

The write command sets overflow presentation mode

### Parameter Description

<n><sup>(num)(&W)(&V)</sup>

SMS overflow presentation mode

[0] <sup>(&amp;F)</sup>	disable
1	enable

<mode><sup>(num)(&V)</sup>

SMS overflow status

0	space available
1	SMS buffer full (The buffer for received short messages is <mem3>. See <a href="#">AT+CPMS.</a> )
2	Buffer full and new message waiting in SC for delivery to phone

### Notes

- Incoming short messages with message class 1 (ME specific short messages) or class 2 (SM specific short messages), see <dc> in GSM 03.38, will be stored either in "ME" or in "SM" storage. Therefore the "^SMGO:2" indication could occur, without issuing the indication "^SMGO:1" before. The indication "^SMGO:1" means that both buffers ("ME" and "SM") are full.
- For more information regarding SIM and ME specific message classes refer to <dc> and the following specifications: GSM 03.38 and 3GPP TS 23.038 .

## 11.25 AT^SMGR Read SMS message without setting status to REC READ

### Syntax

Test Command

```
AT^SMGR=?
```

Response(s)

```
^SMGR :  
OK
```

Write Command

```
AT^SMGR=<index>
```

Response(s)

```
see AT+CMGR
```

PIN	ASC0	MUX1	MUX2	MUX3
●	●	●	●	●

Reference(s)

SIEMENS

### Notes

- The [AT^SMGR](#) command is a specific Siemens command with the same syntax as [AT+CMGR](#) Read SMS message. The only difference is that the status "REC UNREAD" of a short message is not overwritten to "REC READ".
- This command can be used only after the sms data from the SIM have been read successfully for the first time. Reading starts after successful SIM authentication has been performed, and may take up to 30 seconds depending on the SIM used. While the read process is in progress, an attempt to use any of the sms read commands will result in "+CME Error: 14" (SIM busy)
- We recommend to take advantage of the "^SSIM READY" URC. If enabled with [AT^SSET](#), this URC acknowledges to the user that SIM data is accessible after SIM PIN authentication. It will be delivered once the ME has completed reading data from the SIM card.

## 11.26 AT^SSCONF SMS Configuration

### Syntax

Test Command

AT^SSCONF=?

Response(s)

^SSCONF : list of supported <ra>s , list of supported <ff>s  
OK

Read Command

AT^SSCONF?

Response(s)

^SSCONF : <ra> , <ff>  
OK

Write Command

AT^SSCONF=<ra> [, <ff>]

Response(s)

OK

PIN	ASC0	MUX1	MUX2	MUX3
<input type="radio"/>	<input checked="" type="radio"/>	<input checked="" type="radio"/>	<input checked="" type="radio"/>	<input checked="" type="radio"/>

Reference(s)

GSM 07.05

### Command Description

The write command serves to control the presentation of the recipient address parameters <ra> and <tora>.

### Parameter Description

<ra><sup>(num)</sup>

display recipient address

[0]<sup>(&F)</sup>

the mobile station shall not display the parameter <ra> and <tora>

1

the mobile station shall display the parameter <ra> and <tora>.

<ff><sup>(num)</sup>

display filler bits

[0]<sup>(&F)</sup>

the mobile station shall display the filler bits

1

the mobile station shall not display the filler FF for statusreports at PDU mode anymore (filler bits are network dependant).

### Notes

- The parameters <ra> and <tora> appear in the result codes of the AT commands [AT+CMGL](#), [AT^SMGL](#), [AT+CMGR](#), [AT^SMGR](#) and the unsolicited result code "+CDS".
- Please note that the setting is stored volatile, i.e. after restart or reset, the default value 0 will be restored. Also, there is no way to store [AT^SSCONF](#) to the user defined profile.
- The parameter <ff> appears in the result codes of the AT commands [AT+CMGL](#), [AT^SMGL](#), [AT+CMGR](#), [AT^SMGR](#).

## 11.27 AT^SSDA Set SMS Display Availability

This command allows to notify the TC35i of its controlling application's capability to immediately display incoming SMS on a display.

If the application is able to display incoming SMS, class 0 SMS shall be displayed immediately. However, if it does not, class 0 SMS shall be treated as if no message class is determined (GSM 03.38[14]).

The effect of this command if `<da>=1` is to determine the behavior of parameter `<mt>` of `AT+CNMI`:

If `<da>=1` and `<mt>=1` incoming class 0 SMS need to be acknowledged with `AT+CNMA` (see also `AT+CNMI` and `AT+CSMS`)

If multiplex mode is enabled (`AT+CMUX`) and `<da>=1` with `<mt>=1` is set on any logical channel, all other channels have to use `<mt>=0`.

### Syntax

Test Command

```
AT^SSDA=?
```

Response(s)

```
^SSDA: list of supported <da>s  
OK
```

Read Command

```
AT^SSDA?
```

Response(s)

```
^SSDA: <da>  
OK
```

Write Command

```
AT^SSDA=<da>
```

Response(s)

```
OK
```

PIN	ASC0	MUX1	MUX2	MUX3
<input type="radio"/>	<input checked="" type="radio"/>	<input checked="" type="radio"/>	<input checked="" type="radio"/>	<input checked="" type="radio"/>

Reference(s)

SIEMENS

### Command Description

The read command returns ME's current capability setting.

**Parameter Description**

<da><sup>(num)</sup>

Display Availability

0(&F)

Application is not able to display incoming SMS

1

Application is able to display incoming SMS

**Note**

- If the ME operates on different instances (MUX channels 1, 2, 3) avoid different settings for routing and indicating SMS. For example, if messages shall be routed directly to one instance of the TE (set with [AT+CNMI](#), [AT^SSDA](#)), it is not possible to activate the presentation of URCs with [AT+CMER](#) or [AT+CNMI](#) on another instance. Any attempt to activate settings that conflict with existing settings on another interface, will result in CME ERROR, or accordingly CMS ERROR.



## 11.28 AT^SSMSS Set Short Message Storage Sequence

### Syntax

Test Command

```
AT^SSMSS=?
```

Response(s)

```
^SSMSS: (list of supported) <seq>s
```

Read Command

```
AT^SSMSS?
```

Response(s)

```
^SSMSS: <seq>
```

```
OK
```

Write Command

```
AT^SSMSS=<seq>
```

Response(s)

```
OK
```

PIN	ASC0	MUX1	MUX2	MUX3
<input type="radio"/>	<input checked="" type="radio"/>	<input checked="" type="radio"/>	<input checked="" type="radio"/>	<input checked="" type="radio"/>

Reference(s)

SIEMENS

### Command Description

The short message storage "MT" (see [AT+CPMS](#)) is a logical storage. It consists of two physical storages "ME" and "SM". This command allows to select the sequence of addressing this storage.

### Parameter Description

<seq><sup>(num)</sup>

MT sequence

0(&F) "MT" storage is "ME" then "SM"

1 "MT" storage is "SM" then "ME"

### Note

- Access to the SIM storage is faster. For compatibility with previous software re-leases, the "MT" sequence <seq>=0 is the factory default.

## 12. SIM related Commands

The AT Commands described in this chapter are related to the Subscriber Identity Modul (SIM) connected to the TC35i.

### 12.1 AT+CRSM Restricted SIM Access

#### Syntax

Test Command

```
AT+CRSM=?
```

Response(s)

```
OK
```

Write Command

```
AT+CRSM=<command>[, <fileID>[, <P1>, <P2>, <P3>[, <data>]]]
```

Response(s)

```
+CRSM: <sw1>,<sw1>,<response>
```

```
OK
```

```
ERROR
```

```
+CME ERROR: <err>
```

PIN	ASC0	MUX1	MUX2	MUX3
<input type="radio"/>	<input type="radio"/>	<input type="radio"/>	<input type="radio"/>	<input type="radio"/>

Reference(s)

GSM 07.07

#### Command Description

By using this command the TE has access to Elementary Files on the SIM. Access to the SIM database is restricted to the commands which are listed at [<command>](#).

As response to the command the ME sends the current SIM information parameters and response data. ME error result code +CME ERROR may be returned if the command cannot be passed to the SIM, e.g. if the SIM is not inserted. However, errors related to SIM data are reported in [<sw1>](#) and [<sw2>](#) parameters as defined in GSM 11.11.

This command requires PIN authentication. However, using [<command>](#) READ BINARY and [<command>](#) READ RECORD is possible before PIN authentication and if the SIM is blocked (state after three failed PIN authentication attempts) to access the contents of the following Elementary Files:

EF Symbol	EF Name	EF ID (hex.)	EF ID (dec.)
EF <sub>ICCID</sub>	ICC identification	2FE2	12258
EF <sub>ELP</sub>	Extended language preference	2F05	12037
EF <sub>LP</sub>	Language preference	6F05	28421
EF <sub>SPN</sub>	Service provider name	6F46	28486
EF <sub>AD</sub>	Administrative data	6FAD	28589
EF <sub>Phase</sub>	Phase identification	6FAE	28590
EF <sub>ECC</sub>	Emergency call codes	6FB7	28599

### Parameter Description

<command><sup>(num)</sup>

All values not listed below are reserved; refer GSM 11.11.

176	READ BINARY
178	READ RECORD
192	GET RESPONSE
214	UPDATE BINARY
220	UPDATE RECORD
242	STATUS

<fileID><sup>(num)</sup>

this is the identifier for an elementary data file on SIM. Mandatory for every command except STATUS

<P1><sup>(num)</sup>

Parameter to be passed on by the ME to the SIM; refer GSM 11.11.

0...255

<P2><sup>(num)</sup>

Parameter to be passed on by the ME to the SIM; refer GSM 11.11.

0...255

<P3><sup>(num)</sup>

Parameter to be passed on by the ME to the SIM; refer GSM 11.11.

0...255

<data><sup>(str)</sup>

Information which shall be written to the SIM (hexadecimal character format)

<sw1><sup>(num)</sup>

Status information from the SIM about the execution of the actual command. These parameters are delivered to the TE in both cases, on successful or failed execution of the command; refer GSM 11.11.

0...255

<sw2><sup>(num)</sup>

Status information from the SIM about the execution of the actual command. These parameters are delivered to the TE in both cases, on successful or failed execution of the command; refer GSM 11.11.

0...255

<response><sup>(str)</sup>

Response of a successful completion of the previously issued command.

STATUS and GET RESPONSE commands return data, which gives information about the current elementary datafield. This information includes the type of file and its size (refer GSM 51.011).

After READ BINARY or READ RECORD command the requested data will be returned.

<response> is not returned after a successful UPDATE BINARY or UPDATE RECORD command.

## 12.2 AT^SCKS Query SIM and Chip Card Holder Status

This command controls the SIM connection presentation mode and queries the connection status of the SIM and the card holder tray of the TC35i.

### Syntax

Test Command

```
AT^SCKS=?
```

Response(s)

```
^SCKS: (list of supported <mode>s)  
OK
```

Read Command

```
AT^SCKS?
```

Response(s)

```
^SCKS: <mode>, <SimStatus>  
OK  
ERROR  
+CME ERROR: <err>
```

Write Command

```
AT^SCKS=<mode>
```

Response(s)

```
OK  
ERROR  
+CME ERROR: <err>
```

PIN	ASC0	MUX1	MUX2	MUX3
<input type="radio"/>	<input checked="" type="radio"/>	<input checked="" type="radio"/>	<input checked="" type="radio"/>	<input checked="" type="radio"/>

Reference(s)

SIEMENS

### Unsolicited Result Code

```
^SCKS: <SimStatus>
```

During startup, and if the TC35i's SIM connection status has changed an unsolicited result code (URC) is issued.

### Command Description

The read command returns the URC presentation mode and the status of the SIM card connection.

The write command enables or disables the presentation of URCs to report whether or not the SIM card is connected.

If the ME is powered down or reset ([AT+CFUN](#) or [AT^SMSO](#)) the current presentation mode setting `<mode>` will not be retained. Therefore the setting `<mode>=1` needs to be restored after power on the TC35i or may be saved in the user profile ([AT&W](#)).

### Parameter Description

<code>&lt;mode&gt;</code> <sup>(num)(&amp;W)(&amp;V)</sup>	
0 <sup>(&amp;F)</sup>	Suppress unsolicited result codes
1	Output unsolicited result codes

<code>&lt;SimStatus&gt;</code> <sup>(num)(&amp;V)</sup>	
0	Card holder tray removed or SIM connection error
1	SIM inserted(refer to note)

### Note

- `<SimStatus>` reflects the status of the SIM and the card holder tray. Therefore if an empty SIM card tray is inserted, two URCs will be presented, indicating the status 1 followed by 0, i.e. a SIM is inserted into the card holder tray but no SIM connection could be established.

### Example

AT^SCKS=1	Activates the presentation of unsolicited result codes
OK	

Now, after inserting an empty card tray the following URCs appear:

^SCKS: 1	Tray connected
^SCKS: 0	No SIM card found

## 12.3 AT^SSET Indicate SIM data ready

After power on and personalization (PIN entry if required) the ME starts reading data from SIM. With this command it is possible to enable URC "[^SSIM READY](#)" indication on the corresponding serial channel when this process has been completed. Afterwards all commands that depends on SIM data fields can be used, e.g. the SMS and phone book commands.

[AT^SSET](#) setting is storable via [AT+W](#).

### Syntax

Test Command

```
AT^SSET=?
```

Response(s)

```
^SSET: (list of supported <n>s)  
OK
```

Read Command

```
AT^SSET?
```

Response(s)

```
^SSET: <n>  
OK  
ERROR  
+CME ERROR: <err>
```

Write Command

```
AT^SSET=[<n>]
```

Response(s)

```
OK  
ERROR  
+CME ERROR: <err>
```

PIN	ASC0	MUX1	MUX2	MUX3
<input type="radio"/>	<input checked="" type="radio"/>	<input checked="" type="radio"/>	<input checked="" type="radio"/>	<input checked="" type="radio"/>

Reference(s)

SIEMENS

### Unsolicited Result Code

```
^SSIM READY
```

The URC acknowledges to the user that SIM data is accessible. Before that, any attempt to access one of the phonebooks, view SMS or access SIM data will result in "+CME ERROR: 14" (SIM busy).

**Parameter Description**

<n> (num)(&W)(&V)

SIM ready presentation mode

0(&F)

disable URC "^SSIM READY" indication.

1

enable URC "^SSIM READY" indication.



## 12.4 AT^SCID Display SIM card identification number

### Syntax

Test Command

```
AT^SCID=?
```

Response(s)

```
OK
```

Exec Command

```
AT^SCID
```

Response(s)

```
^SCID: <cid>
```

```
OK
```

```
ERROR
```

```
+CME ERROR: <err>
```

PIN	ASC0	MUX1	MUX2	MUX3
<input type="radio"/>	<input checked="" type="radio"/>	<input checked="" type="radio"/>	<input checked="" type="radio"/>	<input checked="" type="radio"/>

Reference(s)

```
SIEMENS
```

### Command Description

TA returns the card identification number in SIM (SIM file EF<sub>ICCID</sub>, see GSM 11.11 Chap.10.1.1) as string type.

### Parameter Description

<cid><sup>(str)</sup>

card identification number of SIM card

## 12.5 AT+CXXCID Display card ID

### Syntax

Test Command

```
AT+CXXCID=?
```

Response(s)

```
OK
```

Exec Command

```
AT+CXXCID
```

Response(s)

```
+CXXCID: <cid>
```

```
OK
```

```
ERROR
```

```
+CME ERROR: <err>
```

PIN	ASC0	MUX1	MUX2	MUX3
<input type="radio"/>	<input checked="" type="radio"/>	<input checked="" type="radio"/>	<input checked="" type="radio"/>	<input checked="" type="radio"/>

Reference(s)

```
SIEMENS
```

### Command Description

TA returns the card identification number in SIM (SIM file EF ICCID, see GSM 11.11 Chap.10.1.1) as string type.

### Note

- See also: [AT^SCID](#).

## 13. SIM Application Toolkit (SAT) Commands

This chapter offers a brief reference of commands and responses related to the TC35i's SIM Application Toolkit (SAT) implementation. Detailed information is available with the document "Remote-SAT User Guide" [3]. Please contact the Wireless Modules Application Engineering Department at Siemens AG for details.

ETSI specification GSM 11.14 [19] defines SAT in detail.

SAT allows for the execution of applications provided by a Subscriber Identity Module (SIM). Usually SIM cards are used for storing GSM network provider and user specific data, e.g. phonebook entries and Short Messages (SMS). However, a SIM card may also hold a SIM Application.

Since the TC35i has SAT functionality it is able to execute the commands issued by applications implemented on a network provider specific SIM card.

Two groups of commands are used between the ME and the SIM Application:

- Proactive Commands are issued to the TC35i's SAT from the SIM Application, such as "DISPLAY TEXT".
- Envelope Commands are responded to the SIM Application from the TC35i, such as "MENU SELECTION".

### 13.1 AT^SSTA SAT Interface Activation

#### Syntax

Test Command

```
AT^SSTA=?
```

Response(s)

```
^SSTA: (list of supported <state>s), (list of supported <Alphabet>s)  
OK
```

Read Command

```
AT^SSTA?
```

Response(s)

```
^SSTA: <state>, <Alphabet>, <allowedInstance>, <SatProfile>  
OK
```

Write Command

```
AT^SSTA=<mode>[, <Alphabet>]
```

Response(s)

```
OK
```

PIN	ASC0	MUX1	MUX2	MUX3
<input type="radio"/>	<input checked="" type="radio"/>	<input checked="" type="radio"/>	<input checked="" type="radio"/>	<input checked="" type="radio"/>

Reference(s)

SIEMENS

### Command Description

The read command can be used to request the current operating status and the used alphabet of the Remote-SAT interface.

The write command is used to activate the AT command interface of the SIM Application Toolkit in the TC35i and needs to be issued after every power on. However, removing and inserting the SIM does not affect the activation status.

SAT commands which are not using the AT interface (non MMI related SAT commands , e.g. PROVIDE LOCAL INFORMATION) could be executed without activating Remote-SAT.

### Parameter Description

`<state>(num)`

TC35i Remote-SAT interface states

0	RESET
1	OFF
2	IDLE
3	PAC
4	WAIT

`<Alphabet>(num)`

0	GSM character set Input of a character requests one byte, e.g. "Y".
1	UCS2 To display the 16 bit value of characters represented in UCS2 alphabet a 4 byte string is required, e.g. "0059" is coding the character "Y". For details please refer to ISO/IEC 10646.

`<allowedInstance>(num)`

0	SAT is already used on another instance (logical channel in case of the multiplex protocol). Only test and read commands can be used.
1	SAT may be started on this instance via the write version of this command.

`<SatProfile>(str)`

SAT profile according to GSM 11.14 [19].  
The profile tells the SIM Application which features (e.g. proactive commands) are supported by the SIM Application Toolkit implementation of the TC35i.

`<mode>(num)`

1	Activate Remote-SAT
---	---------------------

### Note

- To limit the time Remote-SAT is kept in states PAC or WAIT any ongoing (but unanswered) Proactive Command is automatically aborted after 10 minutes with Terminal Response "ME currently unable to process command" or "No response from user" if applicable. An URC "Terminate Proactive Command" will be send to the external application in this case, too.

## 13.2 ^SSTN SAT Notification

Reference(s)

SIEMENS

### Unsolicited Result Codes

#### URC 1

Proactive Command notification

^SSTN: <cmdType>

Every time the SIM Application issues a Proactive Command, via the ME, the TA will receive a notification. This indicates the type of Proactive Command issued.

[AT^SSTGI](#) must then be used by the TA to request the parameters of the Proactive Command from the ME. Upon receiving the ^SSTGI response from the ME, the TA must send [AT^SSTR](#) to confirm the execution of the Proactive Command and provide any required user response, e.g. a selected menu item.

#### URC 2

Terminate Proactive Command notification

^SSTN: <cmdTerminateValue>

When the SIM application has issued a Proactive Command to the ME, it is possible that this command will be terminated later. URC "[^SSTN](#)" is sent with a different Proactive Command type number (added terminate offset 100) to indicate the termination of the specified command.

The state changes to idle. Therefore the TA should avoid sending any further commands related to the terminated Proactive Command, e.g. [AT^SSTGI](#) or [AT^SSTR](#).

#### URC 3

Notification that SIM Application has returned to main menu

^SSTN: 254

Notification to the TA when the SIM Application has finished a command cycle and again enters its main menu, which was transferred with an URC "[^SSTN: 37](#)" (SET UP MENU) at start up.

This URC should be used to open this menu on the screen.

The TA does not need to respond directly, i.e. [AT^SSTR](#) is not required.

#### URC 4

SIM reset notification

^SSTN: 255

Notification to the TA if a Proactive Command "REFRESH - SIM Reset" has been issued by the SIM Application, please refer to [AT^SSTGI](#).

This URC should be used to set the TAs application to its initial state since the SIM Application will start from the beginning, too.

The TA does not need to respond directly, i.e. related [AT^SSTGI](#) and [AT^SSTR](#) are neither required nor allowed.

Since the ME is still busy on SIM access the ME may respond with "+CME ERROR: SIM blocked" or "+CME ERROR: SIM busy" on following PIN required AT Commands for a while. Then TA shall retry until the ME responds with "OK". The time needed for this process depends on the SIM and may take more than 10 seconds.

***Parameter Description***

<cmdType><sup>(num)</sup>

Proactive Command number

<cmdTerminateValue><sup>(num)</sup>

Defined as <cmdType> + terminate offset. The terminate offset equals 100.

## 13.3 AT^SSTGI SAT Get Information

Regularly this command is used upon receipt of an URC "[^SSTN](#)" to request the parameters of the Proactive Command.

Then the TA is expected to acknowledge the [AT^SSTGI](#) response with [AT^SSTR](#) to confirm that the Proactive Command has been executed. [AT^SSTR](#) will also provide any user information, e.g. a selected menu item. The Proactive Command type value specifies to which "[^SSTN](#)" the command is related.

### Syntax

Test Command

AT^SSTGI=?

Response(s)

^SSTGI : (list of supported [<state>](#)s), (list of supported [<cmdType>](#)s)  
OK

Read Command

AT^SSTGI?

Response(s)

^SSTGI : [<state>](#), [<cmdType>](#)  
OK

Write Command

AT^SSTGI=[<cmdType>](#)

Response(s)

OK

PIN	ASC0	MUX1	MUX2	MUX3
<input type="radio"/>	<input checked="" type="radio"/>	<input checked="" type="radio"/>	<input checked="" type="radio"/>	<input checked="" type="radio"/>

Reference(s)

SIEMENS

### Parameter Description

[<state>](#)<sup>(num)</sup>

TC35i Remote-SAT interface states

0	RESET
1	OFF
2	IDLE
3	PAC
4	WAIT

<cmdType><sup>(num)</sup>

Related Proactive Command



## 13.4 AT^SSTR SAT Response

The TA is expected to acknowledge the AT^SSTGI response with AT^SSTR to confirm that the Proactive Command has been executed.

AT^SSTR will also provide any user information, e.g. a selected menu item.

### Syntax

Test Command

AT^SSTR=?

Response(s)

^SSTR: (list of supported <state>s), (list of supported <cmdType>s)  
OK

Read Command

AT^SSTR?

Response(s)

^SSTR: <state>, <cmdType>  
OK

Write Command

AT^SSTR=<cmdType>, <status>[, <inputNumber>][, <inputString>]

Response(s)

OK

PIN	ASC0	MUX1	MUX2	MUX3
<input type="radio"/>	<input checked="" type="radio"/>	<input checked="" type="radio"/>	<input checked="" type="radio"/>	<input checked="" type="radio"/>

Reference(s)

SIEMENS

### Parameter Description

<state><sup>(num)</sup>

TC35i Remote-SAT interface states

0	RESET
1	OFF
2	IDLE
3	PAC
4	WAIT

<cmdType><sup>(num)</sup>

Number related to Proactive Command or event type according to GSM 11.14 [19].

<status><sup>(num)</sup>

Command status return regarding the type of action that has taken place, e.g. action performed by the user. Values are in accordance with GSM 11.14 [19].

<inputNumber><sup>(num)</sup>

Response number entered by user

<inputString><sup>(str)</sup>

Response string entered by user

## 14. Phonebook Commands

The AT Commands described in this chapter allow the external application to access the phonebooks located in the TC35i's memory or on the attached Subscriber Identity Modul (SIM).

### 14.1 Sort Order for Phonebooks

Due to the support of UCS2 for the `<text>` part of phonebook entries, the sort order for phonebook records follows the algorithm published as Unicode Technical Standard #10, "Unicode Collation Algorithm".

A memory-optimized version of the proposed collation tables "[AllKeys]" from Unicode Technical Standard #10 is used in order to determine collation weights for Code points between 0000 and 06FF, and composed keys are used for Code points from ranges 0700 to 33FF, A000 to D7FF and E000 to FFFD. Code Points not referenced in these tables will be assigned a default collation weight with their unicode value as level 1 weight. Decomposition is not supported.

Phonebook entries whose names contain only characters from the GSM07.07 default alphabet are converted internally into their UCS2 equivalents in order to achieve consistent sorting results.

For the user, this means that:

- Punctuation marks and other non-alphabetical characters from the common latin-based character sets, and from the standard GSM character set, will be sorted before any alphabetical characters. The ordering in which these marks appear as compared to other non-alphabetical characters from the same group is determined by their collation weights and does not reflect their code values in the UCS2 or GSM alphabet tables above. Please refer to [www.unicode.org](http://www.unicode.org) for detail.
- Alphabetical characters from the common latin-based character sets, and from the standard GSM character set, will be sorted according to their underlying base characters, plus the collation weights of their accent signs.
- Only collation levels 1 and 2 are regarded, so sorting is not case-sensitive.

Example: the european letters "Å" (GSM 0EH, UCS2 00C5h), "æ" (GSM 1DH, UCS2 00E6h), "ç" (GSM09h, UCS2 00E7h), "a" (GSM 61H, UCS2 0061h ) and "b" (GSM 62H, UCS2 0062h) will be sorted in order "a", "Å", "æ" "b", "ç" although their numerical values in GSM and UCS2 suggest a different ordering.

Reference(s)

Unicode Technical Standard #10, "Unicode Collation Algorithm"

## 14.2 AT+CPBR Read from Phonebook

This command serves to read one or more entries from the phonebook selected with AT command [AT+CPBS](#). It can be used only after the phonebook's data has been read from the SIM successfully. Reading starts after successful SIM authentication has been performed and may take up to 30 seconds depending on the SIM used. While this read process is in progress, an attempt to use any of the phonebook commands will result in "+CME Error: SIM busy". To determine when the initial phonebook reading has been finished the URC "^SSIM READY" shall be used, refer [AT^SSET](#).

### Syntax

#### Test Command

```
AT+CPBR=?
```

#### Response(s)

```
+CPBR: (1-<maxloc>), <nlength>, <tlength>  
OK  
+CME ERROR
```

#### Write Command

```
AT+CPBR=<location1>[, <location2>]
```

#### Response(s)

```
[+CPBR: <location1>, <number>, <type>, <text> ]  
[+CPBR: <location2>, <number>, <type>, <text> ]  
OK  
+CME ERROR
```

PIN	ASC0	MUX1	MUX2	MUX3
●	●	●	●	●

#### Reference(s)

GSM 07.07, GSM 11.11

### Command Description

The test command returns the location range supported by the current phonebook storage, the maximum length of `<number>` field and the maximum length of `<text>` field. Note: Length information may not be available while SIM storage is selected. If storage does not offer format information, the format list contains empty parentheses.

The write command determines the phonebook entry to be displayed with `<location1>` or a location range from `<location1>` to `<location2>`. Hence, if no `<location2>` is given only the entry at `<location1>` will be displayed.

If no entries are found at the selected location "OK" will be returned.

### Parameter Description

`<location1>`<sup>(num)</sup>

The first (lowest) location number within phonebook memory for which the corresponding entry is to be displayed. The supported range is given in the test command response.

If `<location1>` exceeds the upper bound `<maxloc>` (as indicated by the test command), command will respond with "+CME ERROR: INVALID INDEX".

`<location2>`<sup>(num)</sup>

The last (highest) location number within phonebook memory for which the corresponding entry is to be displayed. The supported range is given in the test command response.

If both `<location1>` and `<location2>` are in the range indicated by the test command with parameter `<maxloc>`, the list of entries will be output and terminated with "OK".

If `<location2>` exceeds the range indicated by the test command with parameter `<maxloc>`, the list of entries will be output but terminated with "+CME ERROR: INVALID INDEX".

`<number>`<sup>(str)</sup>

Phone number in format specified by `<type>`, it may be an empty string.

`<type>`<sup>(num)</sup>

Address type

145	dialling string <code>&lt;number&gt;</code> includes international access code character '+'
209	dialling string <code>&lt;number&gt;</code> contains printable non-alphabetic non-digit characters saved with the number string. For phonebook entries with this <code>&lt;type&gt;</code> , dialling from phonebook with <code>ATD&lt;mem&gt;&lt;n&gt;</code> is not possible. For further detail, check the parameter descriptions for at command <code>AT+CPBW</code> .
129	otherwise

`<text>`<sup>(str)(+CSCS)</sup>

Text assigned to a phone number. The maximum length for this parameter is given with test command response parameter `<tlength>`.

If using an ASCII terminal characters which are coded differently in ASCII and GSM have to be entered via escape sequences as described in chapter [Supported character sets](#).

`<maxloc>`<sup>(num)</sup>

Maximum location number for the currently selected storage. For phonebooks located on the SIM this value depends on the SIM cardtype.

`<nlength>`<sup>(num)</sup>

Maximum length of phone number for "normal" locations. Depending on the storage a limited number of locations with extended memory is available per phonebook. These locations allow storing numbers with twice the standard length, which is  $2 \times \text{<nlength>}$  digits for normal numbers, but only `<nlength>` digits for numbers saved with `<type>=209`.

<tlength><sup>(num)</sup>

Maximum length of <text> assigned to the telephone number. The value indicated by the test command is given in octets. If <text> is given as GSM characters each character corresponds to one octet. If the <text> string is given in UCS2, the maximum number of characters depends on the coding scheme used for the alpha field of the SIM according to GSM 11.11, Annex B [18]. As a worst case the number of UCS2 characters is less than half the number of GSM characters. For a detailed description please refer to GSM 11.11, Annex B [18].

## Examples

### EXAMPLE 1

First run the test command to find out the maximum range of entries stored in the active phonebook

```
AT+CPBR=?  
+CPBR:(1-100),20,17
```

TC35i returns the supported values, where 100 is the supported range of location numbers, 20 is the length of the phone number and 17 is the maximum length of the associated text.

### EXAMPLE 2

Then use the execute command to display the phonebook entries sorted by location numbers

```
AT+CPBR =1,3  
+CPBR:1,"+999999",145,"Charlie"  
+CPBR:2,"+777777",145,"Bill"  
+CPBR:3,"+888888",145,"Arthur"
```

## 14.3 AT+CPBS Select phonebook memory storage

This command is used to select the active phonebook storage, i.e. the phonebook storage that all subsequent phonebook commands will be operating on.

The read command can be used only after the phonebook data from the SIM have been read successfully for the first time. Reading starts after successful SIM authentication has been performed, and may take up to 30 seconds depending on the SIM used. While the read process is in progress, an attempt to use any of the phonebook commands will result in "+CME Error: 14" (SIM busy).

### Syntax

#### Test Command

```
AT+CPBS=?
```

#### Response(s)

```
+CPBS: (list of supported <storage>s)  
OK  
+CME ERROR
```

#### Read Command

```
AT+CPBS?
```

#### Response(s)

```
+CPBS: <storage>, <used>, <total>  
OK  
+CME ERROR
```

#### Write Command

```
AT+CPBS=<storage>
```

#### Response(s)

```
OK  
+CME ERROR:
```

PIN	ASC0	MUX1	MUX2	MUX3
●	●	●	●	●

#### Reference(s)

GSM07.07

### Command Description

The test command returns supported <storage>s as compound value.

The read command returns the currently selected <storage>, the number of <used> entries and the <total> number of entries available for this storage.

The write command selects the phonebook memory `<storage>`, which is used by other phonebook commands.

### Parameter Description

`<storage>`<sup>(str)</sup>

For phonebooks "MC", "RC" and "LD", automatic deletion of the entries stored in ME will be performed if the SIM card is changed. If the same SIM is removed and reinserted, no automatic deletion is performed. Calls made after last switchon will be lost from "MC", "RC" and "LD" phonebook, if the SIM is removed and reinserted during normal operation.

"FD"	Fixed dialling phonebook capacity: depending on SIM card location: SIM
"SM" <sup>(&amp;F)</sup>	SIM phonebook capacity: depending on SIM card location: SIM
"ON"	MSISDN list capacity: depending on SIM card location: SIM
"ME"	Mobile Equipment Phonebook capacity: max. 250 entries location: ME
"LD"	last number dialled phonebook. Stores all voice call numbers dialed with ATD, but no data call numbers. capacity: max. 10 entries location: depending on SIM this phonebook may reside partly or completely in ME AT command +CPBW is not applicable to this storage. The LD list can be deleted with <a href="#">AT^SDLD</a> or with <a href="#">AT^SPBD</a> .
"MC"	missed (unanswered received) calls list capacity: max. 10 entries location: ME +CPBW is not applicable to this storage. The MC list can be deleted with <a href="#">AT^SPBD</a> .
"RC"	received calls list capacity: max. 10 entries location: ME +CPBW is not applicable to this storage. The RC list can be deleted with <a href="#">AT^SPBD</a> .

`<used>`<sup>(num)</sup>

value indicating the number of used locations in selected memory storage.

`<total>`<sup>(num)</sup>

value indicating the maximum number of locations allowed in the selected memory storage.

### Note

- We recommend to take advantage of the "^SSIM READY" URC. If enabled with [AT^SSET](#), this URC acknowledges to the user that SIM data is accessible after SIM PIN authentication. It will be delivered once the ME has completed reading data from the SIM card.



## 14.4 AT+CPBW Write into Phonebook

This command serves to write onto an entry of the phonebook selected with [AT+CPBS](#). It can be used only after the phonebook's data has been read successfully from the SIM. Reading starts after successful SIM authentication has been performed and may take up to 30 seconds depending on the SIM used. While the read process is in progress, an attempt to use any of the phonebook commands will result in "+CME Error: SIM busy". To determine when the initial phonebook reading has been finished the URC "^SSIM READY" shall be used, refer [AT^SSET](#).

### Syntax

Test Command

```
AT+CPBW=?
```

Response(s)

```
+CPBW: (1-<maxloc>), <nlength>, list of supported <type>s, <tlength>  
OK  
ERROR  
+CME ERROR
```

Write Command

```
AT+CPBW=[<location>][, <number>[[, <type>][, <text>]]]
```

Response(s)

```
OK  
ERROR  
+CME ERROR
```

PIN	ASC0	MUX1	MUX2	MUX3
●	●	●	●	●

Reference(s)

GSM 07.07

### Command Description

The test command returns the location range supported by the current storage, the maximum length of [<number>](#) field, the range of supported [<type>](#) values and the maximum length of [<text>](#) field. Note: The length may not be available while SIM storage is selected. If storage does not offer format information, the format list contains empty parentheses.

The write command fills a phonebook entry at memory location [<location>](#) of the active storage selected with [AT+CPBS](#).

If [<storage>](#)="FD" (SIM fixed dialling numbers) is selected, PIN2 authentication has to be performed prior to any write access.

If no [<location>](#) is given, the first free entry will be used.

If [<location>](#) is given as the only parameter, the phonebook entry specified by [<location>](#) is deleted.

If write attempt fails "+CME ERROR" is indicated.



<tlength><sup>(num)</sup>

Maximum length of <text> assigned to the telephone number. The value indicated by the test command is given in octets. If the <text> string is given in GSM characters, each character corresponds to one octet. If the <text> string is given in UCS2, the maximum number of characters depends on the coding scheme used for the alpha field of the SIM according to GSM 11.11, Annex B [18]. As a worst case the number of UCS2 characters is less than half the number of GSM characters. For a detailed description please refer to GSM 11.11, Annex B [18].

### Examples

#### EXAMPLE 1

Make a new phonebook entry at the first free location

```
AT+CPBW=,"+431234567",145,"international"
```

#### EXAMPLE 2

Delete entry at location 1

```
AT+CPBW=1
```

#### EXAMPLE 3

The following examples are provided to illustrate the effect of writing phonebook entries with different types of dial string modifiers in <number>

```
AT+CPBW=5,"12345678",,"Arthur"  
AT+CPBW=6,"432!+-765()&54*654#",,"John"  
AT+CPBW=7,"432!+-765()&54*654#",129,"Eve"  
AT+CPBW=8,"432!+-765()&54*654#",145,"Tom"  
AT+CPBW=9,"432!+-765()&54*654#",209,"Richard"
```

#### EXAMPLE 4

Read phonebook entries from locations 5 - 9 via [AT+CPBR](#)

```
+CPBR:5,"12345678",129,"Arthur"  
+CPBR:6,"432!+-765()&54*654#",209,"John"  
+CPBR:7,"432+76554*654#",129,"Eve"  
+CPBR:8,"+432+76554*654#",145,"Tom"  
+CPBR:9,"432!+-765()&54*654#",209,"Richard"
```

## 14.5 AT^SPBC Search the first entry in the sorted telephone book

This command can be used to retrieve the index of the first entry starting with selected character `<uchar>` in the sorted list of phonebook records of the phonebook currently selected with `AT+CPBS`.

The sorted list of phonebook records can be accessed with AT command `AT^SPBG`. The sort order is described in [Chapter 14.1, page 343](#)

CAUTION: Please note that the sorted entries are assigned an index of their own which is not identical with the location numbers used in the various phonebooks.

Therefore, the index retrieved with command `AT^SPBC` command can be used only as an index for `AT^SPBG`. Do not use the listed index numbers to dial out or modify entries.

This command can be used only after the phonebook data from the SIM have been read successfully for the first time. Reading starts after successful SIM authentication has been performed, and may take up to 30 seconds depending on the SIM used. While the read process is in progress, an attempt to use any of the phonebook commands will result in "+CME Error: 14" (SIM busy).

### Syntax

Test Command

```
AT^SPBC=?
```

Response(s)

```
^SPBC: "FD","SM","ME"  
OK  
ERROR  
+CME ERROR
```

Write Command

```
AT^SPBC=<uchar>
```

Response(s)

```
^spbc: <index>  
OK  
ERROR  
+CME ERROR
```

PIN	ASC0	MUX1	MUX2	MUX3
●	●	●	●	●

Reference(s)

SIEMENS

### Command Description

The test command returns the list of phonebooks for which `AT^SPBC` is supported, in the syntax used for phonebook selection in AT command `AT+CPBS`.

The write command retrieves the first (lowest) index in the list of sorted phonebook entries beginning with character `<uchar>`.

Since they are not related to the actual locations of the phonebook entries (obtainable with `AT+CPBR`), Indices

displayed in the write command response may not be used for dialling from phonebook with "ATD<mem><n>!"

### Parameter Description

<schar><sup>(str)(+CSCS)</sup>

The character to be searched in the sorted list of phonebook entries. Character coding and formatting according to the settings made with [AT+CSCS](#) search algorithms follow the sorting algorithms referenced in [Chapter 14.1, page 343](#).

<index><sup>(num)</sup>

The first (lowest) index number within the phonebook memory selected with [AT+CPBS](#) for which the corresponding <text> parameter starts with character <schar>.

If no matching phonebook entry is found, <index> =0 will be returned.

The index retrieved with command AT^SPBC command can be used only as an index for [AT^SPBG](#). Do not use the listed index numbers to dial out or modify entries.

### Note

- We recommend to take advantage of the "SSIM READY" URC. If enabled with [AT^SSET](#), this URC acknowledges to the user that SIM data is accessible after SIM PIN authentication. It will be delivered once the ME has completed reading data from the SIM card.

## 14.6 AT^SPBD Purge phonebook memory storage

This command is used to purge the selected phonebook `<storage>` manually, i.e. all entries previously stored in the selected phonebook storage will be deleted.

CAUTION! The operation cannot be stopped nor reversed!

Automatic purging of phonebooks is performed when the SIM card is removed and replaced by a different SIM card. This affects the ME-based part of the "LD" storage, and storages "MC" and "RC". Storage "ME" is not affected.

This command can be used only after the phonebook data from the SIM have been read successfully for the first time. Reading starts after successful SIM authentication has been performed, and may take up to 30 seconds depending on the SIM used. While the read process is in progress, an attempt to use any of the phonebook commands will result in "+CME Error: 14" (SIM busy).

### Syntax

Test Command

```
AT^SPBD=?
```

Response(s)

```
^SPBD: list of supported <storage>s  
OK  
+CME ERROR
```

Write Command

```
AT^SPBD=<storage>
```

Response(s)

```
OK  
+CME ERROR
```

PIN	ASC0	MUX1	MUX2	MUX3
●	●	●	●	●

Reference(s)

SIEMENS

### Command Description

The test command returns a list of supported `<storage>s`.

The write command is used to select the phonebook `<storage>` to purge.

### Parameter Description

<storage><sup>(str)</sup>

This Parameter show all available phonebooks for this command.  
For detailed description of storages see [AT+CPBS](#).

"FD"	Fixed dialling phonebook (In order to delete this phonebook, PIN2 authentication must be performed first.)
"SM" <sup>(&amp;F)</sup>	SIM phonebook
"ON"	MSISDN list
"ME"	Mobile Equipment Phonebook
"LD"	last number dialled phonebook
"MC"	missed (unanswered received) calls list
"RC"	received calls list

### Note

- We recommend to take advantage of the "^SSIM READY" URC. If enabled with [AT^SSET](#), this URC acknowledges to the user that SIM data is accessible after SIM PIN authentication. It will be delivered once the ME has completed reading data from the SIM card.

## 14.7 AT^SPBG Read current Phonebook entries

This command can be used to display the phonebook records of the phonebook currently selected with [AT+CPBS](#) in sorted order by name. The sort order is described in [Chapter 14.1, page 343](#) "Sort order for Phonebooks"

CAUTION: Please note that the sorted entries are assigned an index of their own which is not identical with the location numbers used in the various phonebooks.

Therefore, the AT^SPBG command can be used for reading only. For example, it helps you find entries starting with matching characters. However, do not use the listed index numbers to dial out or modify entries.

This command can be used only after the phonebook data from the SIM have been read successfully for the first time. Reading starts after successful SIM authentication has been performed, and may take up to 30 seconds depending on the SIM used. While the read process is in progress, an attempt to use any of the phonebook commands will result in "+CME Error: 14" (SIM busy).

### Syntax

#### Test Command

```
AT^SPBG=?
```

#### Response(s)

```
^SPBG: (1-<used>), <nlength>, <tlength>
OK
ERROR
+CME ERROR
```

#### Write Command

```
AT^SPBG=<index1>[, <index2>]
```

#### Response(s)

```
[^SPBG: <index1>, <number>, <type>, <text> ]
[^SPBG: <index2>, <number>, <type>, <text> ]
OK
ERROR
+CME ERROR
```

PIN	ASC0	MUX1	MUX2	MUX3
●	●	●	●	●

#### Reference(s)

SIEMENS

### Command Description

The test command returns the index range for this command, the maximum length of [<number>](#) field, and the maximum length of [<text>](#) field.

Note: The length may not be available while SIM storage is selected. If storage does not offer format information, the format list should be empty parentheses.

The write command selects the index of the phonebook entry, that is to be displayed, in the sorted list of phonebook, or the range of indices to display.



If no `<index2>` is given, only the entry at `<index1>` will be displayed.

### Parameter Description

`<index1>`<sup>(num)</sup>

The first index number within the sorted list of phonebook for which the corresponding entry is to be displayed. The supported range is given in the test command response.  
If `<index 1>` exceeds the upper bound `<used>`, the AT command will return a CME ERROR 21.

`<index2>`<sup>(num)</sup>

The last index number within the sorted list of phonebook for which the corresponding entry is to be displayed. The supported range is given in the test command response.  
If both `<index1>` and `<index2>` are in the range indicated by the test command in parameter `<used>`, the list of entries will be output and terminated with OK.  
If `<index2>` exceeds the range indicated by the test command in parameter `<used>`, the list of entries will be output but terminated with a +CME ERROR 21 "INVALID INDEX".

`<number>`<sup>(str)</sup>

String type phone number in format specified by `<type>`.  
The number parameter may be an empty string.

`<type>`<sup>(num)</sup>

type of address octet

145	dialling string <code>&lt;number&gt;</code> includes international access code character '+'
209	dialling string <code>&lt;number&gt;</code> contains printable non-alphabetic non-digit characters saved with the number string. For further detail, check the parameter descriptions for at command <a href="#">AT+CPBW</a> .
129	otherwise

`<text>`<sup>(str)(+CSCS)</sup>

Text assigned to the phone number. The maximum length for this parameter is given in test command response `<tlength>`.

`<used>`<sup>(num)</sup>

value indicating the number of used locations in selected memory storage.

`<nlength>`<sup>(num)</sup>

Max. length of phone number for "normal" locations. - Depending on the storage, a limited number of locations with extended memory is available per phonebook. Please refer to AT command [AT+CPBW](#) for detail.

`<tlength>`<sup>(num)</sup>

Max. length of `<text>` assigned to the telephone number. The value indicated by the test command is given in octets. If the `<text>` string is given in GSM characters, each character corresponds to one octet. If the `<text>` string is given in UCS2, the maximum number of characters depends on the coding scheme used for the alpha field of the SIM according to GSM 11.11, Annex B. In the worst case, the number of UCS2 characters is less than half the number of GSM characters. For a detailed description see GSM 11.11, Annex B.

## Notes

- The AT^SPBG feature is able to sort by the first 6 matching characters only. All following characters will be ignored.
- The command can be used for the phone books "SM", "FD", "ME" (cf. [AT+CPBS](#)).
- We recommend to take advantage of the "^SSIM READY" URC. If enabled with [AT^SSET](#), this URC acknowledges to the user that SIM data is accessible after SIM PIN authentication. It will be delivered once the ME has completed reading data from the SIM card.

## Examples

### EXAMPLE 1

Using AT^SPBG to obtain a sorted list of phonebook entries.

- First, run the test command to find out the range of phonebook entries stored in the active phonebook:

```
AT^SPBG=?
```

TA returns the number of entries in the format:

```
^SPBG: (1-33),20,17
```

where 33 is the number of used entries in the active phonebook storage.

- Now, run the write command to display the phonebook entries by alphabetical order. It is recommended to enter the full range to obtain best results.

```
AT^SPBG=1,33
```

TA returns phonebook entries by alphabetical order:

```
^SPBG:1,"+999999",145,"Arthur" ^SPBG:2,"+777777",145,"Bill"  
^SPBG:3,"+888888",145,"Charlie" .....
```

## 14.8 AT^SPBS Step through the selected phonebook alphabetically

This command can be used to scroll sequentially through the active phonebook records in alphabetical order by name. Three entries will be displayed at a time.

This command can be used only after the phonebook data from the SIM have been read successfully for the first time. Reading starts after successful SIM authentication has been performed, and may take up to 30 seconds depending on the SIM used. While the read process is in progress, an attempt to use any of the phonebook commands will result in "+CME Error: 14" (SIM busy).

This command can be used for the ME, SM and FD phonebook.

### Syntax

Test Command

```
AT^SPBS=?
```

Response(s)

```
^SPBS: (list of supported <value>)  
OK
```

Write Command

```
AT^SPBS=<value>
```

Response(s)

```
^SPBS: <index-a>, <number>, <type>, <text>  
^SPBS: <index-b>, <number>, <type>, <text>  
^SPBS: <index-c>, <number>, <type>, <text>  
OK  
+CME ERROR
```

PIN	ASC0	MUX1	MUX2	MUX3
●	●	●	●	●

Reference(s)

SIEMENS

### Command Description

Test command returns a list of supported <value>.

Every time the write command is executed, 3 rows of phone book records are returned. Each triplet overlaps with the next one. The actual index depends on parameter <value>. This parameter determines whether the index will be increased or decreased.

If the index in one output line reaches the last index in the alphabetical list, the next output line will display the first list entry.

After the last record of the phonebook has been reached (see parameter <used> for AT^SPBG), the <internal-counter> switches over to the first.

See examples below.

**Parameter Description**

<b>&lt;value&gt;<sup>(num)</sup></b>	
1	To make a step forward in the alphabetically sorted phonebook.
2	To make a step backward in the alphabetically sorted phonebook.
<b>&lt;index-a&gt;<sup>(num)</sup></b>	
1...maxindex	The index in the sorted list of phonebook entries that identifies the first entry in alphabetical order of names displayed. The value of <index-a> is determined by the value of the internal counter and by parameter <value>. After a write command has terminated successfully with "OK", the value from parameter <index-a> is saved and retained as the new internal counter value. Mind after the last record of phonebook, the first entry follows.
<b>&lt;index-b&gt;<sup>(num)</sup></b>	
1...maxindex	The index in the sorted list of phonebook entries that identifies the second entry in alphabetical order of names displayed. Mind after the last record of phonebook, the first entry follows.
<b>&lt;index-c&gt;<sup>(num)</sup></b>	
1...maxindex	The index in the sorted list of phonebook entries that identifies the third entry in alphabetical order of names displayed. Mind after the last record of phonebook, the first entry follows.
<b>&lt;number&gt;<sup>(str)</sup></b>	
string type phone number in format specified by <type>. the number parameter may be an empty string.	
<b>&lt;type&gt;<sup>(num)</sup></b>	
type of address octet	
145	dialling string <number> includes international access code character '+'
209	dialling string <number> contains printable non-alphabetic non-digit characters saved with the number string. For phonebook entries with this <type>, dialling from phonebook with <a href="#">ATD&lt;mem&gt;&lt;n&gt;</a> is not possible. For further detail, check the parameter descriptions for at command <a href="#">AT+CPBW</a> .
129	otherwise
<b>&lt;text&gt;<sup>(str)(+CSCS)</sup></b>	
Text assigned to the phone number.	
<b>&lt;internal-counter&gt;<sup>(num)</sup></b>	
0(&F)...maxindex	This Parameter is only an internal parameter and cannot modified directly. The internal counter will be reset to index 0 after a call to <a href="#">ATZ</a> or <a href="#">AT&amp;F</a> .

## Notes

- The complete list of sorted entries can be retrieved using AT command [AT^SPBG](#).
- We recommend to take advantage of the "ASSIM READY" URC. If enabled with [AT^SSET](#), this URC acknowledges to the user that SIM data is accessible after SIM PIN authentication. It will be delivered once the ME has completed reading data from the SIM card.

## Example

How to use AT^SPBS to browse through the sorted list forward and backward

- First, [AT&F](#) is issued to make sure that AT^SPBS=1 starts from the first character in alphabetical order. The example illustrates how to search down and up again.

```
at&f
OK
at^spbs=1
^SPBS:27,"+9999999",145,"Arthur"
^SPBS:6,"+7777777",145,"Bill"
^SPBS:15,"+8888888",145,"Charlie"
OK
at^spbs=1
^SPBS:6,"+7777777",145,"Bill"
^SPBS:15,"+8888888",145,"Charlie"
^SPBS:4,"0304444444",129,"Esther"
OK
at^spbs=1
^SPBS:15,"+8888888",145,"Charlie"
^SPBS:4,"0304444444",129,"Esther"
^SPBS:23,"03033333333",129,"Harry"
OK
at^spbs=2
^SPBS:6,"+7777777",145,"Bill"
^SPBS:15,"+8888888",145,"Charlie"
^SPBS:4,"0304444444",129,"Esther"
OK
```

- If the last index in the sorted list has been reached, then the internal counter overflows to the first index:

```
at&f                                reset internal counter to 0
OK
```

```
at^spbs=2
```

step down 1 entry starting from (internal counter)=0 -  
overflow occurs.

```
^SPBS:9,"+49301234567",145,"TomTailor"
```

```
^SPBS:27,"+999999",145,"Arthur"
```

```
^SPBS:6,"+777777",145,"Bill"
```

```
OK
```

## 14.9 AT^SDLD Delete the 'last number redial' memory

Reading starts after successful SIM authentication has been performed, and may take up to 30 seconds depending on the SIM used. While the read process is in progress, an attempt to use any of the phonebook commands will result in "+CME Error: 14" (SIM busy).

### Syntax

Test Command

```
AT^SDLD=?
```

Response(s)

```
OK
```

Exec Command

```
AT^SDLD
```

Response(s)

```
OK
```

```
ERROR
```

```
+CME ERROR: <err>
```

PIN	ASC0	MUX1	MUX2	MUX3
●	●	●	●	●

Reference(s)

```
SIEMENS
```

### Command Description

The execute command deletes all numbers stored in the LD memory.

## 15. Audio Commands

The AT Commands described in this chapter are related to the TC35i's audio interface.

### 15.1 Audio programming model

The following figure illustrates how the signal path can be adjusted with the parameters `<inCalibrate>`, `<inBbcGain>`, `<outBbcGain>` and `<sideTone>`.

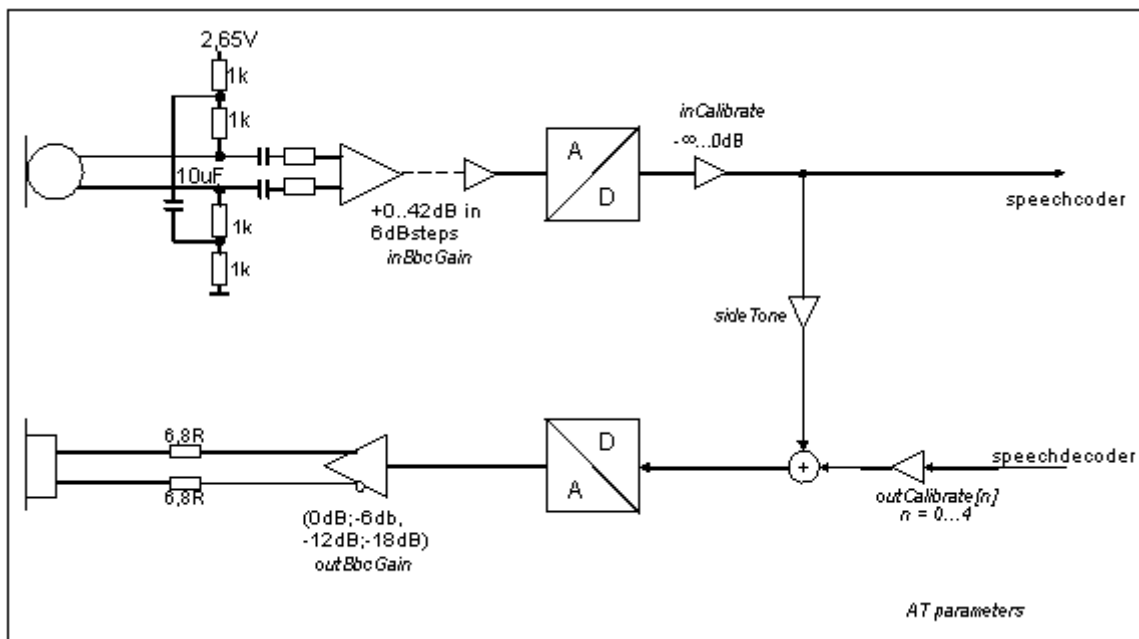


Figure 15.1: Audio programming model



## 15.2 ATL Set monitor speaker loudness

### Syntax

Exec Command

ATL[<val>]

Response(s)

OK

PIN	ASC0	MUX1	MUX2	MUX3
<input type="radio"/>	<input checked="" type="radio"/>	<input checked="" type="radio"/>	<input type="radio"/>	<input type="radio"/>

Reference(s)

V.25ter

### Parameter Description

<val><sup>(num)</sup>

### Notes

- Commands [ATL](#) and [ATM](#) are implemented only for V.25ter compatibility reasons and have no effect.
- In multiplex mode the command is supported on logical channel 1 only.

## 15.3 ATM Set monitor speaker mode

### Syntax

Exec Command

ATM[<val>]

Response(s)

OK

PIN	ASC0	MUX1	MUX2	MUX3
<input type="radio"/>	<input checked="" type="radio"/>	<input checked="" type="radio"/>	<input type="radio"/>	<input type="radio"/>

Reference(s)

V.25ter

### Parameter Description

<val><sup>(num)</sup>

### Notes

- Commands [ATL](#) and [ATM](#) are implemented only for V.25ter compatibility reasons and have no effect.
- In multiplex mode the command is supported on logical channel 1 only.

## 15.4 AT+CLVL Loudspeaker volume level

### Syntax

Test Command

```
AT+CLVL=?
```

Response(s)

```
+CLVL: (list of supported<level>s)  
OK
```

Read Command

```
AT+CLVL?
```

Response(s)

```
+CLVL: <level>  
OK  
ERROR  
+CME ERROR: <err>
```

Write Command

```
AT+CLVL=<level>
```

Response(s)

```
OK  
ERROR  
+CME ERROR: <err>
```

PIN	ASC0	MUX1	MUX2	MUX3
<input type="radio"/>	<input checked="" type="radio"/>	<input checked="" type="radio"/>	<input checked="" type="radio"/>	<input checked="" type="radio"/>

Reference(s)

GSM 07.07

### Parameter Description

<level><sup>(num)</sup>

Loudspeaker Volume Level

0...4<sup>(D)</sup>

### Notes

- The write command can only be used in audio mode 2 - 6.
- The values of the volume steps are specified with the parameters <outCalibrate>[0],...<outCalibrate>[4] of the AT^SNFO command.

- As an alternative to `AT+CLVL`, you can use `AT^SNFO` and `AT^SNFV`. The parameter `<level>` is identical with `<outStep>` used by both commands.
- Any change to `<level>` (or `<outStep>`) takes effect in audio modes 2 to 6. That is, when you change `<level>` (or `<outStep>`) and then select another mode with `AT^SNFS`, the same step will be applied. The only exception is audio mode 1 which is fixed to `<level>=4` (or accordingly `<outStep>=4`).
- `<level>` (or `<outStep>`) is stored non-volatile when the ME is powered down with `AT^SMSO` or reset with `AT+CFUN=1,1`.

## 15.5 AT+CMUT Mute control

### Syntax

#### Test Command

AT+CMUT=?

#### Response(s)

+CMUT: (list of supported <mute>s)  
OK

#### Read Command

AT+CMUT?

#### Response(s)

+CMUT: <mute>  
OK  
ERROR  
+CME ERROR: <err>

#### Write Command

AT+CMUT=<mute>

#### Response(s)

OK  
ERROR  
+CME ERROR: <err>

PIN	ASC0	MUX1	MUX2	MUX3
<input type="radio"/>	<input checked="" type="radio"/>	<input checked="" type="radio"/>	<input checked="" type="radio"/>	<input checked="" type="radio"/>

#### Reference(s)

GSM 07.07

### Command Description

This command can be used in all audio modes (1 to 6) and during a voice call only. See [AT^SNFS](#) for more details on the various audio modes. As alternative, you can use the [AT^SNFM](#) command. During an active call, users should be aware that when they switch back and forth between different audio modes (for example handsfree on/off) the value of <mute> does not change, i.e. the microphone mode is retained until explicitly changed.

### Parameter Description

<mute><sup>(num)</sup>

0 <sup>(P)</sup>	mute off
1	mute on

## 15.6 AT+VTD Tone duration

### Syntax

Test Command

AT+VTD=?

Response(s)

+VTD: (list of supported<duration>s)

OK

Read Command

AT+VTD?

Response(s)

<duration>

OK

Write Command

AT+VTD=<duration>

Response(s)

OK

PIN	ASC0	MUX1	MUX2	MUX3
<input type="radio"/>	<input checked="" type="radio"/>	<input checked="" type="radio"/>	<input checked="" type="radio"/>	<input checked="" type="radio"/>

Reference(s)

GSM 07.07

### Command Description

This command refers to an integer <duration> that defines the length of tones transmitted with the [AT+VTS](#) command.

### Parameter Description

<duration><sup>(num)</sup>

duration of the tone in 1/10 second

1(&F)...255

## 15.7 AT+VTS DTMF and tone generation

The Write command is intended to send ASCII characters or strings which cause the Mobile Switching Center (MSC) to transmit DTMF tones to a remote subscriber. It works during active voice calls only and offers the following variants:

- `AT+VTS=<dtmfString>` allows to send a sequence of DTMF tones with a duration defined with `AT+VTD`.
- `AT+VTS=<dtmf>[,<duration>]` allows to send a single DTMF tone. In this case, the duration can be individually determined during the call.

### Syntax

Test Command

`AT+VTS=?`

Response(s)

`+VTS: (list of supported<dtmf>s), (list of supported<duration>s)`  
OK

Write Command

`AT+VTS=<dtmfString>`

Response(s)

OK

Write Command

`AT+VTS=<dtmf>[, <duration>]`

Response(s)

OK

PIN	ASC0	MUX1	MUX2	MUX3
<input type="radio"/>	<input checked="" type="radio"/>	<input checked="" type="radio"/>	<input checked="" type="radio"/>	<input checked="" type="radio"/>

Reference(s)

GSM 07.07

### Parameter Description

`<dtmfString>`<sup>(str)</sup>

String of ASCII characters in the set 0-9,#,\*,A, B, C, D. Maximal length of the string is 29. The string must be enclosed in quotation marks ("...").

`<dtmf>`<sup>(str)</sup>

ASCII character in the set 0...9,#,\*, A, B, C, D.

`<duration>`<sup>(num)</sup>

Tone duration in 1/10 second. If not specified current setting of [AT+VTD](#) is used.

1...255



## 15.8 AT^SAIC Audio Interface Configuration

### Syntax

Test Command

AT^SAIC=?

Response(s)

^SAIC: (list of supported <io>s), (list of supported<mic>s), (list of supported<ep>s)  
OK

Read Command

AT^SAIC?

Response(s)

^SAIC: <io>, <mic>, <ep>  
OK

Write Command

AT^SAIC=<io>[, <mic>[, <ep>]]

Response(s)

OK  
ERROR  
+CME ERROR: operation not allowed

PIN	ASC0	MUX1	MUX2	MUX3
<input type="radio"/>	<input checked="" type="radio"/>	<input checked="" type="radio"/>	<input checked="" type="radio"/>	<input checked="" type="radio"/>

Reference(s)

SIEMENS

### Command Description

This command configures the interface connections of the active audio mode.

### Parameter Description

<io><sup>(num)(^SNFW)</sup>

Input and output selection

- |   |                         |
|---|-------------------------|
| 1 | Not supported           |
| 2 | Analog input and output |

<mic><sup>(num)(^SNFW)</sup>

Microphone selection

1	Microphone 1
2	Microphone 2

<ep><sup>(num)(^SNFW)</sup>

Select differential earpiece amplifier

1	Selects the earpiece amplifier 1
2	Selects the earpiece amplifier 2
3	Selects both amplifiers. Note that both amplifiers are connected in parallel and therefore, get the same output power if <ep>=3.

### Notes

- The **AT^SAIC** Write command is usable only in audio modes 2 - 6. If **AT^SNFS**=1, any attempt to use the **AT^SAIC** Write command returns "+CME ERROR: operation not allowed". This is because all default parameters in audio mode 1 are determined for type approval and are not adjustable.
- To allocate a specific audio mode to one of the audio interfaces, first select the audio mode with **AT^SNFS** and then choose the interface using **AT^SAIC**.
- The factory defaults of **AT^SAIC** vary with the selected audio mode.  
If **AT^SNFS**=1 or 4 or 5, then **AT^SAIC**=2,1,1.  
If **AT^SNFS**=2 or 3 or 6, then **AT^SAIC**=2,2,2. (Although given by default, this setting applies to the TC35i module only, it cannot be used with the TC35i Terminal where the second audio interface is not connected. Nevertheless, you can configure TC35i Terminal for operation with audio modes 2, 3 or 6 by setting **AT^SAIC**=2,1,1 instead. See examples provided with **AT^SNFS**.)  
**AT^SNFD** can be used to reset the factory defaults.
- For use after restart of the ME, you are advised to store the settings of **AT^SAIC** and **AT^SNFS** to the audio profile set with **AT^SNFW**. Otherwise, audio mode 1 (**AT^SNFS**=1) and audio interface 2 (**AT^SAIC**=2,1,1) will be active each time the ME is powered up.

## 15.9 AT^SNFA Set or query of microphone attenuation

### Syntax

Test Command

```
AT^SNFA=?
```

Response(s)

```
^SNFA: (list of supported <atten>s)  
OK
```

Read Command

```
AT^SNFA?
```

Response(s)

```
^SNFA: <atten>  
OK
```

Write Command

```
AT^SNFA=<atten>
```

Response(s)

```
OK  
ERROR  
CME ERROR: <err>
```

PIN	ASC0	MUX1	MUX2	MUX3
<input type="radio"/>	<input checked="" type="radio"/>	<input checked="" type="radio"/>	<input checked="" type="radio"/>	<input checked="" type="radio"/>

Reference(s)

SIEMENS

### Command Description

The test command returns the supported values of the parameter [<atten>](#).

The read command returns the current attenuation value on the microphone path for the current audio device (selected by [AT^SNFS](#)).

Write command controls the large-scale attenuation on the microphone path for the current audio device (selected by [AT^SNFS](#)) with the following restrictions:

- It is not allowed for audio device 1
- As long as the microphone is muted, the write command is temporarily disabled
- Setting of value 0 is not allowed (use [AT^SNFM=0](#) for this).
- For values greater than 32767, 32767 will be used.

### Parameter Description

<atten><sup>(num)</sup>(^SNFW)

Multiplication factor for input samples. Parameter <atten> is identical with <inCalibrate> of AT^SNFI. Formula used to calculate microphone attenuation (negative gain):

Gain in dB =  $20 * \log(\text{<atten>/32768})$

0...32767<sup>(P)</sup>...65535

0	Microphone is muted
32767	No attenuation on the microphone path

### Notes

- The command is provided for compatibility with M20 and is a subset of AT^SNFI. The parameter <inCalibrate> of AT^SNFI is identical with <atten> of AT^SNFA.
- To make the changes persistent use AT^SNFW.

### Example

```
^SYSSTART
at^snfa=?
^SNFA: (0-65535)
OK
at^snfa?
^SNFA: 32767
OK
at^snfs=4
OK
at^snfa=1
OK
at^snfa?
^SNFA: 1
OK
at^snfi?
^SNFI: 5,1
OK
at^snfi=5,45
OK
at^snfa?
^SNFA: 45
OK
```

## 15.10 AT^SNFD Set audio parameters to manufacturer default values

### Syntax

Test Command

```
AT^SNFD=?
```

Response(s)

```
OK
```

Exec Command

```
AT^SNFD
```

Response(s)

```
OK
```

PIN	ASC0	MUX1	MUX2	MUX3
<input type="radio"/>	<input checked="" type="radio"/>	<input checked="" type="radio"/>	<input checked="" type="radio"/>	<input checked="" type="radio"/>

Reference(s)

```
SIEMENS
```

### Command Description

TA sets the active audio parameters to manufacturer defined default values.

### Notes

- The restored values are:  
[AT^SNFI](#): [<inBbcGain>](#), [<inCalibrate>](#) (or the equivalent [AT^SNFA](#) parameters)  
[AT^SNFO](#): [<outBbcGain>](#), [<outCalibrate>](#)[0 to 4], [<sideTone>](#)  
[AT^SAIC](#): [<io>](#), [<mic>](#), [<ep>](#)  
[AT^SNFS](#): [<audMode>](#)
- Remember that the factory set audio mode 1 is fixed to [<outStep>](#)=4. Consequently, [AT^SNFD](#) restores [<audMode>](#) together with [<outStep>](#)=4, but does not affect the values of [<outStep>](#) currently selected in audio modes 2 - 6. This means, if [<audMode>](#)=1, the read commands [AT^SNFO](#), [AT^SNFV](#) and [AT+CLVL](#) will always return [<outStep>](#)=4. In all other modes the [<outStep>](#) value is retained until explicitly changed.

## 15.11 AT^SNFI Set microphone path parameters

### Syntax

Test Command

```
AT^SNFI=?
```

Response(s)

```
^SNFI: (list of supported <inBbcGain>s) , (list of supported <inCalibrate>s)  
OK
```

Read Command

```
AT^SNFI?
```

Response(s)

```
^SNFI: <inBbcGain> , <inCalibrate>  
OK
```

Write Command

```
AT^SNFI=<inBbcGain> , <inCalibrate>
```

Response(s)

```
OK
```

PIN	ASC0	MUX1	MUX2	MUX3
<input type="radio"/>	<input checked="" type="radio"/>	<input checked="" type="radio"/>	<input checked="" type="radio"/>	<input checked="" type="radio"/>

Reference(s)

SIEMENS

### Command Description

TA sets microphone path amplifying.

### Parameter Description

<inBbcGain><sup>(num)(^SNFW)</sup>

ADC gain adjustable in eight 6 dB steps from 0 dB to 42 dB (0=0dB, 7=42dB, 8 steps of 6 dB).

0...7

<inCalibrate><sup>(num)(^SNFW)</sup>

Multiplication factor for input samples. Formula to calculate the negative gain (attenuation) of the input signal:  
Gain in dB = 20 \* log (inCalibrate / 32768)

0...32767

### Notes

- Write command works only in audio modes 2 to 6!
- Read and write options of this command refer to the active audio mode.
- The range of `<inCalibrate>` is up to 65535 but will be suppressed to 32767. Values above `<inCalibrate>= 65535` will cause a failure.
- Changed values have to be stored with `AT^SNFW`.
- Attention! When you adjust audio parameters avoid exceeding the maximum allowed level. Bear in mind that exposure to excessive levels of noise can cause physical damage to users!
- The default values are customer specific.

## 15.12 AT^SNFM Mute microphone

### Syntax

Test Command

```
AT^SNFM=?
```

Response(s)

```
^SNFM: (list of supported <mute>s)  
OK
```

Read Command

```
AT^SNFM?
```

Response(s)

```
^SNFM: <mute>  
OK
```

Write Command

```
AT^SNFM=<mute>
```

Response(s)

```
OK
```

PIN	ASC0	MUX1	MUX2	MUX3
<input type="radio"/>	<input checked="" type="radio"/>	<input checked="" type="radio"/>	<input checked="" type="radio"/>	<input checked="" type="radio"/>

Reference(s)

SIEMENS

### Command Description

The test command returns the supported values of the parameter <mute>.

The read command returns whether the microphone is on or off during voice calls.

The write command can be used to mute or activate the microphone during voice calls.

### Parameter Description

<mute><sup>(num)</sup>

0	Mute microphone
1 <sup>(P)</sup>	Microphone on

### Notes

- The write command works in all audio modes but only during active voice calls.



- This command can be used in all audio modes (1 to 6) and during a voice call only. See [AT^SNFS](#) for more details on the various audio modes.
- During an active call, users should be aware that when they switch back and forth between different audio modes (for example handsfree on/off) the value of `<mute>` does not change, i.e. the microphone mode is retained until explicitly changed.
- As alternative, you can use the [AT+CMUT](#) command.

## 15.13 AT^SNFO Set audio output (= loudspeaker path) parameter

### Syntax

Test Command

```
AT^SNFO=?
```

Response(s)

```
^SNFO: (list of supported <outBbcGain>s) (list of supported <outCalibrate>s) (list of supported  
<outStep>s) (list of supported <sideTone>s)  
OK
```

Read Command

```
AT^SNFO?
```

Response(s)

```
^SNFO: <outBbcGain>, <outCalibrate>[0], <outCalibrate>[1], <outCalibrate>[2],  
<outCalibrate>[3], <outCalibrate>[4], <outStep>, <sideTone>  
OK
```

Write Command

```
AT^SNFO=<outBbcGain>, <outCalibrate>[0], <outCalibrate>[1], <outCalibrate>[2],  
<outCalibrate>[3], <outCalibrate>[4], <outStep>, <sideTone>
```

Response(s)

```
OK
```



Reference(s)

SIEMENS

### Command Description

TA sets earpiece path amplifying.

### Parameter Description

<outBbcGain><sup>(num)(^SNFW)</sup>

Negative DAC gain (attenuation) adjustable in four 6 dB steps from 0 dB to -18 dB (0=0 dB, 3=-18 dB)

0...3

`<outCalibrate>`<sup>(num)</sup>(^SNFW)

Formula to calculate the value of the 5 volume steps selectable with parameter `<outStep>`:  
Attenuation =  $20 \log * (2 * \text{outCalibrate}[n] / 32768)$

0...32767

`<outStep>`<sup>(num)</sup>

Volume steps 0 - 4, each defined with `outCalibrate[n]`

0...[4]

`<sideTone>`<sup>(num)</sup>(^SNFW)

Multiplication factor for the sidetone gain.

Formula to calculate how much of the original microphone signal is added to the earpiece signal:  
Sidetone gain in dB =  $20 * \log (\text{sideTone} / 32768)$ .

0...32767

## Notes

- The write command works only in audio modes 2 to 6.
- The read and write commands refer to the active audio mode.
- `<outCalibrate>` specifies the amount of volume of each `<outStep>`. The range of each `<outCalibrate>` is up to 65535, but will be suppressed to 32767. A value above `<outCalibrate>= 65535` will cause an error.
- The range of `<sideTone>` is up to 65535, but will be suppressed to 32767. A value above `<sideTone>= 65535` will cause an error.
- Any change to `<outStep>` takes effect in audio modes 2 to 6. That is, when you change `<outStep>` and then select another mode with `AT^SNFS`, the same step will be applied. Nevertheless, the sound quality and the amount of volume are not necessarily the same, since all remaining audio parameters can use different values in either mode.
- Audio mode 1 is fixed to `<outStep>=4`. In this mode, any attempt to change `<outStep>` or other parameters returns an error.
- The value of `<outStep>` is stored non-volatile when the ME is powered down with `AT^SMSO` or reset with `AT+CFUN=x,1`. Any other parameters changed with `AT^SNFO` need to be saved with `AT^SNFW` for use after restart. See also `AT^SNFD` for details on restoring factory defaults.
- The values of `<outStep>` can also be changed with `AT^SNFV` and `AT+CLVL`.
- CAUTION! When you adjust audio parameters avoid exceeding the maximum allowed level. Bear in mind that exposure to excessive levels of noise can cause physical damage to users!

## 15.14 AT^SNFPT Set progress tones

### Syntax

Test Command

AT^SNFPT=?

Response(s)

^SNFPT: (list of supported <pt>s)  
OK

Read Command

AT^SNFPT?

Response(s)

^SNFPT: <pt>  
OK

Write Command

AT^SNFPT=<pt>

Response(s)

OK

PIN	ASC0	MUX1	MUX2	MUX3
<input type="radio"/>	<input checked="" type="radio"/>	<input checked="" type="radio"/>	<input checked="" type="radio"/>	<input checked="" type="radio"/>

Reference(s)

SIEMENS

### Command Description

The write command controls the Call Progress Tones generated at the beginning of a mobile originated call setup.

### Parameter Description

<pt><sup>(num)</sup>

0	Disables Call Progress Tones
1 <sup>(P)</sup>	Enables Call Progress Tones (audible tones shortly heard on the phone when ME starts to set up a call.)

### Note

- Please note that the setting is stored volatile, i.e. after restart or reset, the default value 1 will be restored.

## 15.15 AT^SNFS Select audio hardware set

### Syntax

Test Command

```
AT^SNFS=?
```

Response(s)

```
^SNFS: (list of supported <audMode>s)  
OK
```

Read Command

```
AT^SNFS?
```

Response(s)

```
^SNFS: <audMode>  
OK
```

Write Command

```
AT^SNFS=<audMode>
```

Response(s)

```
OK  
ERROR  
CME ERROR: <err>
```

PIN	ASC0	MUX1	MUX2	MUX3
<input type="radio"/>	<input checked="" type="radio"/>	<input checked="" type="radio"/>	<input checked="" type="radio"/>	<input checked="" type="radio"/>

Reference(s)

SIEMENS

### Command Description

The write command serves to set the audio mode required for the connected equipment. For use after restart of the module, you are advised to store the selected mode to the audio profile set with [AT^SNFW](#). Otherwise, audio mode 1 will be active each time the module is powered up.

[AT^SNFS](#) can also be used in conjunction with [AT^SAIC](#). This is useful, for example, if both interfaces are operated alternatively to benefit from different devices. Each audio mode can be assigned a specific interface. To do so, first select the audio mode with [AT^SNFS](#), then activate the audio interface with [AT^SAIC](#) and finally enter [AT^SNFW](#) to store the settings to your audio profile. To switch back and forth it is sufficient to use [AT^SNFS](#).

### Parameter Description

<audMode><sup>(num)</sup>(^SNFW)

[1]	Audio mode 1: Standard mode optimized for the reference handset, that can be connected to the analog interface 1 (see your "Hardware Interface Description" for information on this handset.) To adjust the volume use the knob of the reference handset. In audio mode 4, this handset can be used with user defined parameters. Note: The default parameters are determined for type approval and are not adjustable with AT commands. <a href="#">AT^SNFD</a> restores <audMode> 1.
2	Audio mode 2: Customer specific mode for a basic handsfree device (Siemens Car Kit Portable). Analog interface 2 is assumed as default.
3	Audio mode 3: Customer specific mode for a mono-headset. Analog interface 2 is assumed as default.
4	Audio mode 4: Customer specific mode for a user handset. Analog interface 1 is assumed as default.
5	Audio mode 5: Customer specific mode. Analog interface 1 is assumed as default.
6	Audio mode 6: Customer specific mode. Analog interface 2 is assumed as default.

### Notes

- The write command can be used during a voice call to switch back and forth between different modes. This allows the user, for example, to switch handsfree operation on and off.
- Users should be aware that <outStep> is a global setting. This means, when another audio mode is selected during a call, the value of <outStep> does not change. This is also true for mute operation which can be set with [AT^SNFM](#) or [AT+CMUT](#): If the microphone is muted and the user selects another audio mode during the call, then the microphone remains muted until explicitly changed. Exception: In audio mode 1 <outStep>=4 is fix.

## Examples

### EXAMPLE 1

Suppose a user wishes to use alternatively a handsfree device and a handset. The handset can be connected to the first analog interface and adjusted to audio mode 4. The handsfree device can be attached to the second analog interface and adjusted to audio mode 2. The factory defaults of [AT^SAIC](#) need not be changed. Settings for the handset:

```
AT^SNFS=4
OK
AT^SAIC?                               Factory default of AT^SAIC assigned to audio mode 4.
^SAIC: 2,1,1
OK
```

Settings for the handsfree device:

```
AT^SNFS=2
OK
AT^SAIC?                               Factory default of AT^SAIC assigned to audio mode 2.
^SAIC: 2,2,2
OK
```

To store the configuration to the user defined audio profile:

```
AT^SNFW                               Stores the audio mode and the interface.
OK
```

To switch back and forth:

```
AT^SNFS=4                               Switches to the handset connected to analog interface 1.
OK
AT^SNFS=2                               Switches to the handsfree device at analog interface 2.
OK
```

### EXAMPLE 2

The following example illustrates a combination of a handset and a handsfree device connected to other interfaces than those assumed as factory default.

Settings for a handset connected to the second analog interface and adjusted to audio mode 4:

```
AT^SNFS=4
OK
AT^SAIC=2,2,2
OK
```

Settings for a handsfree device connected to the first analog interface and adjusted to audio mode 2:

```
AT^SNFS=2
OK
AT^SAIC=2,1,1
OK
```

To store the configuration to the user defined audio profile:

```
AT^SNFW          Stores the audio mode and the interface.
OK
```

To switch back and forth:

```
AT^SNFS=4          Switches to the handset connected to analog interface 1.
OK
AT^SNFS=2          Switches to the handsfree device at analog interface 2.
OK
```



## 15.16 AT^SNFV Set loudspeaker volume

### Syntax

Test Command

```
AT^SNFV=?
```

Response(s)

```
^SNFV: (list of supported <outStep>s)  
OK
```

Read Command

```
AT^SNFV?
```

Response(s)

```
^SNFV: <outStep>  
OK
```

Write Command

```
AT^SNFV=<outStep>
```

Response(s)

```
OK  
ERROR  
+CME ERROR
```

PIN	ASC0	MUX1	MUX2	MUX3
<input type="radio"/>	<input checked="" type="radio"/>	<input checked="" type="radio"/>	<input checked="" type="radio"/>	<input checked="" type="radio"/>

Reference(s)

SIEMENS

### Command Description

The test command returns the supported values of the parameter [<outStep>](#).

The read command returns the current value of parameter [<outStep>](#).

The write command can be used to set the volume of the loudspeaker to the value [<outCalibrate>](#) addressed by [<outStep>](#).

### Parameter Description

[<outStep>](#)<sup>(num)</sup>

The actual volume of each step is defined by the parameter [<outCalibrate>](#), which can be set with [AT^SNFO](#).  
0...4<sup>(P)</sup>

### Notes

- The read and write commands refer to the active audio mode.
- The write command works only in audio modes 2 to 6!
- Any change to `<outStep>` takes effect in audio modes 2 to 6. That is, when you change `<outStep>` and then select another mode with `AT^SNFS`, the same step will be applied. Nevertheless, the actual volume can be quite different, depending on the values of `<outCalibrate>` set in each mode. The only exception is audio mode 1 which is fixed to `<outStep>=4`.
- `<outStep>` is stored non-volatile when the ME is powered down with `AT^SMSO` or reset with `AT+CFUN=1,1`. `<outStep>` is not stored by `AT^SNFW`.
- `<outStep>` can also be changed by `AT^SNFO` (Chapter 15.13, page 382) and `AT+CLVL` (Chapter 15.4, page 367).

## 15.17 AT^SNFW Write audio setting in non-volatile store

### Syntax

Test Command

```
AT^SNFW=?
```

Response(s)

```
OK
```

Exec Command

```
AT^SNFW
```

Response(s)

```
OK
```

```
ERROR
```

```
CME ERROR: <err>
```

PIN	ASC0	MUX1	MUX2	MUX3
<input type="radio"/>	<input checked="" type="radio"/>	<input checked="" type="radio"/>	<input checked="" type="radio"/>	<input checked="" type="radio"/>

Reference(s)

```
SIEMENS
```

### Command Description

TA writes the active audio parameters in non-volatile store related to the active mode.

### Notes

- Execute command works only in audio mode 2 to 6.
- TA writes the following audio parameter values in non-volatile store:  
`AT^SNFI: <inBbcGain>, <inCalibrate>`  
`AT^SNFO: <outBbcGain>, <outCalibrate>[0 to 4], <sideTone>`  
`AT^SNFS: <audMode>`  
`AT^SAIC: <io>, <mic>, <ep>.`

## 15.18 AT^SRTC Ring tone configuration

### Syntax

#### Test Command

AT^SRTC=?

#### Response(s)

^SRTC: (list of supported) <type>s, (list of supported) <volume>s, (list of supported) <event>s  
OK

#### Read Command

AT^SRTC?

#### Response(s)

^SRTC: <type> (of <event>=0) , <volume> (of <event>=0) , <type>(of <event>=1) , <volume>(of <event>=1), <status>  
OK

#### Exec Command

AT^SRTC

#### Response(s)

OK

#### Write Command

AT^SRTC=[<type>] [, <volume>] [, <event>]

#### Response(s)

^SRTC: <type>, <volume>  
OK  
ERROR

PIN	ASC0	MUX1	MUX2	MUX3
○	●	●	●	●

#### Reference(s)

SIEMENS

### Command Description

The test command returns the current ring tone and volume

The read command returns the current <type> and current <volume>. The read command can be used while test playback is off or on. In the latter case, see Execute command for details.

The execute command is intended for testing. It starts to play a melody from the audio output currently selected with the `AT^SNFS` command. To deactivate test playback use `AT^SRTC` again.

During test playback, you can enter the Write command to select another melody and adjust the volume. Also, you can enter the read command to check the type and volume of the current ring tone, and to view the status of playback (on / off). The test ringing signal cannot be activated when an MTC is ringing (ERROR).

Selecting `<volume>=0` during the test, immediately stops playback. After this, ring tones will be muted until you change `<volume>` using the write command.

The write command chooses the type and volume of ring tones for the selected event. The settings can be changed no matter whether or not the ME is ringing. The selected type and volume are saved in the non-volatile Flash memory and, thus, are retained after Power Down. An exception is `<type>=0`, that can be entered to quickly mute the tone or melody currently played to indicate an event. `<type>=0` only stops immediately the audible ring tone, but does not terminate the URC that indicates the event (for example RING). No permanent settings are changed or saved.

Before first using ring tones:

We have chosen to let you decide your own preferences when you start using ring tones. Therefore, factory setting is `AT^SRTC=3,0,3,0,0` (ring tones are muted). To activate ring tones for the very first time, first enter the write command and simply change the volume. After applying a firmware update the volume and type selected before the firmware update will be preserved.

### Parameter Description

`<type>`<sup>(num)</sup>

Type of ring tone. You have a choice of 7 different ring tones and melodies. All will be played from the audio output selected with the `AT^SNFS` command. `<type>=0` is only intended for muting.

0	Mutes the currently played tone immediately.
1	Sequence 1
2	Sequence 2
3 <sup>(D)</sup>	Sequence 3
4	Sequence 4
5	Sequence 5
6	Sequence 6
7	Sequence 7

`<volume>`<sup>(num)</sup>

Volume of ring tone, varies from low to high

0 <sup>(D)</sup>	Mute
1	Very low
2	Identical with 1
3	Low
4	Identical with 3
5	Middle
6	Identical with 5
7	High

**<status>**<sup>(num)</sup>

Status of test ringing. Indicates whether or not a melody is currently being played back for testing

0	Switched off
1	Switched on

**<event>**<sup>(num)</sup>

Event to be indicated. All settings of [<type>](#) and [<volume>](#) apply to the selected event only.

[0]	All MTCs (voice, data etc.)
1	Incoming short message

**Notes**

- The test ringing signal cannot be activated while an MTC is ringing (ERROR).
- If an MTC arrives during test playback, test ringing will be deactivated and "normal" ringing reactivated (RING).
- If no optional parameter is entered, the old value will be kept.
- The ring tone for SMS will be only played if the URC for incoming SMS is activated. See [AT+CNMI](#)

## 16. Hardware related Commands

The AT Commands described in this chapter are related to the TC35i's hardware interface. More information regarding this interface is available with the "TC35i Hardware Interface Description"[\[2\]](#).

### 16.1 AT+CALA Set alarm time

#### Syntax

Test Command

```
AT+CALA=?
```

Response(s)

```
+CALA: (list of supported<n>s), (list of supported<type>s), (list of supported<tlength>s)  
OK  
ERROR  
+CME ERROR: <err>
```

Read Command

```
AT+CALA?
```

Response(s)

```
+CALA: <time>[, <n>[, <type>[, <text>]]]  
OK  
ERROR  
+CME ERROR: <err>
```

Write Command

```
AT+CALA=<time>[, <n>[, <type>[, <text>]]]
```

Response(s)

```
OK  
ERROR  
+CME ERROR
```

PIN	ASC0	MUX1	MUX2	MUX3
<input type="radio"/>	<input checked="" type="radio"/>	<input checked="" type="radio"/>	<input checked="" type="radio"/>	<input checked="" type="radio"/>

Reference(s)

GSM 07.07

## Unsolicited Result Codes

### URC 1

+CALA: <text>

Indicates reminder message.

### URC 2

^SYSSTART ALARM MODE

+CALA: <text>

Indicates ME wake-up into Alarm mode. If autobauding is active ([AT+IPR=0](#)) the line "^SYSSTART ALARM MODE" does not appear, but your individual <text> message will be displayed.

## Command Description

Test command returns supported array index values <n>, alarm types <type>, and maximum length of the text <tlength> to be output.

Read command returns the list of current alarm settings in the ME.

The write command sets an alarm time in the ME. When the alarm is timed out and executed the ME returns an Unsolicited Result Code (URC) and the alarm time is reset to "00/01/01,00:00:00".

The alarm can adopt two functions, depending on whether or not you switch the GSM engine off after setting the alarm:

- **Reminder message:** You can use the alarm function to generate reminder messages. For this purpose, set the alarm as described below and do not switch off or power down the ME. When executed the message comes as an Unsolicited Result Code.
- **Alarm mode:** You can use the alarm function to restart the ME when powered down. For this purpose, set the alarm as described below. Then power down the ME by entering the [AT^SMSO](#) command. When the alarm time is reached, the ME will wake up to Alarm mode. To prevent the ME from unintentionally logging into the GSM network, Alarm mode provides restricted operation. Upon wake-up, the ME indicates an Unsolicited Result Code which reads: ^SYSSTART ALARM MODE. A limited number of AT commands is available during Alarm mode: [AT+CCLK](#), [AT+CALA](#), [AT^SBC](#), [AT^SCTM](#), [AT^SMSO](#).

The ME remains deregistered from the GSM network. If you want the ME to return to full operation (normal operating mode) it is necessary to drive the ignition line (IGT pin of application interface) to ground. If your ME is battery powered note that the battery can be charged while the ME stays in Alarm mode. For details please refer to [\[2\]](#).

## Parameter Description

<time><sup>(str)</sup>

Format is "yy/MM/dd, hh:mm:ss", where characters indicate year (two last digits), month, day, hour, minutes. E.g. 6th of May 2004, 22:10:00 hours equals to "04/05/06,22:10:00" (see also [AT+CCLK](#)). Note: if <time> equals current date and time or is set to an earlier date, TA returns +CME ERROR: 21.

<n><sup>(num)</sup>

Integer type value indicating the array index of the alarm.

The ME allows to set only one alarm at a time. Therefore, the list of supported alarm events indicated by the test command [AT+CALA=?](#) is <n>=0. If a second alarm time is set, the previous alarm will be deleted. Therefore, the read command [AT+CALA?](#) will always return <n>=0. This is also true if individual settings are made on the various Multiplexer channels, for details see notes below.



<type><sup>(num)</sup>

Integer type value indicating the type of the alarm.

0 Alarm indication: text message via serial interface

<text><sup>(str)</sup>

String type value indicating the text to be displayed when alarm time is reached; maximum length is <tlength>. By factory default, <text> is undefined.

Note: <text> will be stored to the non-volatile flash memory when the device enters the Power Down mode via [AT^SMSO](#). Once saved, it will be available upon next power-up, until you overwrite it by typing another text. This eliminates the need to enter the full string when setting a fresh alarm.

<text> should not contain characters which are coded differently in ASCII and GSM (e.g. umlauts), see also "Supported character sets" and "GSM alphabet tables".

<tlength><sup>(num)</sup>

Integer type value indicating the maximum length of <text>. The maximum length is 16.

## Notes

- After the alarm was executed the parameter <time> of [AT+CALA](#) will be reset to "00/01/01,00:00:00", but <text> will be preserved as described above.
- If TC35i is totally disconnected from power supply the most recently saved configuration of [+CALA: <time>\[,<n>\[,<type>\[,<text>\]\]\]](#) will be presented when TC35i is powered up.
- Each time TC35i is restarted it takes 2s to re-initialize the RTC and to update the current time. Therefore, it is recommended to wait 2s before using the commands [AT+CCLK](#) and [AT+CALA](#) (for example 2s after ^SYSSTART has been output).
- Alarm settings on different Multiplexer channels (see [AT+CMUX](#)):
  - On each interface an individual <text> message can be stored, but only one time setting applies. This means an alarm <time> set on one of the interfaces overwrites the time setting on all remaining interfaces. Therefore, the total number of alarm events returned by the read command [AT+CALA?](#) will always be <n>=0, no matter whether different text messages are stored.
  - When the alarm is timed out and executed, the ME sends the URC only on the interface where the most recent alarm setting was made. The alarm time will be reset to "00/01/01,00:00:00" on all interfaces.

## Examples

### EXAMPLE 1

You may want to configure a reminder call for May 31, 2004, at 9.30h, including the message "Good Morning".

```
AT+CALA="04/05/31,09:30:00",0,0,"Good Morning"  
OK
```

Do not switch off the GSM engine. When the alarm is executed the ME returns the following URC:

```
+CALA: Good Morning
```

EXAMPLE 2

To set a fresh alarm using the same message as in Example 1, simply enter date and time. `<n>`, `<type>`, `<text>`, `<length>` can be omitted:

```
AT+CALA="04/05/31,08:50:00"
OK
```

When the alarm is executed the URC comes with the same message:

```
+CALA: Good Morning
```

EXAMPLE 3

To configure the alarm mode, e.g. for May 20, 2004, at 8.30h, enter

```
AT+CALA="04/05/20,08:30:00"
OK
```

Next, power down the ME:

```
AT^SMSO
^SMSO: MS OFF
```

When the alarm is executed the ME wakes up to Alarm mode and displays a URC. If available, this line is followed by the individual `<text>` most recently saved. If no individual message was saved only the first line appears.

```
^SYSSTART ALARM MODE
+CALA: Good Morning
```

## 16.1.1 Summary of AT commands available in Alarm mode

AT command	Use
<a href="#">AT+CALA</a>	Set alarm time
<a href="#">AT+CCLK</a>	Set date and time of RTC
<a href="#">AT^SBC</a>	In Alarm mode, you can query the present current consumption only and check whether or not a charger is connected. The battery capacity is returned as 0, regardless of the actual voltage (since the values measured directly on the cell are not delivered to the module).
<a href="#">AT^SCTM</a>	Query temperature of GSM engine
<a href="#">AT^SBV</a>	Monitor battery or supply voltage
<a href="#">AT^SMSO</a>	Power down GSM engine

## 16.2 AT+CCLK Real Time Clock

### Syntax

Test Command

```
AT+CCLK=?
```

Response(s)

```
OK
```

Read Command

```
AT+CCLK?
```

Response(s)

```
+CCLK: <time>
```

```
OK
```

Write Command

```
AT+CCLK=<time>
```

Response(s)

```
+CME ERROR: <err>
```

```
ERROR
```

```
OK
```

PIN	ASC0	MUX1	MUX2	MUX3
<input type="radio"/>	<input checked="" type="radio"/>	<input checked="" type="radio"/>	<input checked="" type="radio"/>	<input checked="" type="radio"/>

Reference(s)

```
GSM 07.07
```

### Parameter Description

<time><sup>(str)</sup>

Format is "yy/mm/dd, hh:mm:ss", where the characters indicate the two last digits of the year, followed by month, day, hour, minutes, seconds; for example 6th of May 2004, 22:10:00 hours equals to "04/05/06,22:10:00"  
Factory default is "02/01/01,00:00:00"

### Notes

- <time> is retained if the device enters the Power Down mode via [AT^SMSO](#).
- <time> will be reset to its factory default if power is totally disconnected. In this case, the clock starts with <time>="02/01/01,00:00:00" upon next power-up.
- Each time TC35i is restarted it takes 2s to re-initialize the RTC and to update the current time. Therefore, it is recommended to wait 2s before using the commands [AT+CCLK](#) and [AT+CALA](#) (for example 2s after ^SYSSTART has been output).

## 16.3 AT^SBC Battery charging / discharging and charge control

Responses returned by the [AT^SBC](#) command vary with the operating mode of the ME:

- Normal mode: ME is switched on by Ignition pin and running the SLEEP, IDLE, TALK or DATA mode. Charger is not connected. [AT^SBC](#) can be used to query the battery capacity and the power consumption of ME and application (if value of application was specified before as [<current>](#)).
- Normal mode + charging: Allows charging while ME is switched on by Ignition pin and running the SLEEP, IDLE, TALK or DATA mode. [AT^SBC](#) returns charger status and power consumption of ME / application. Percentage of battery capacity is not available.
- Charge-only mode: Allows charging while ME is detached from GSM network. When started, the mode is indicated by the URC "[^SYSSTART CHARGE-ONLY MODE](#)". [AT^SBC](#) returns charger status and power consumption of ME / application. Percentage of battery capacity is not available. In Charge-only mode a limited number of AT commands is accessible (see [16.3.1](#)). There are several ways to activate the Charge-only mode:
  - from Power Down mode: Connect charger while ME was powered down with [AT^SMSO](#)
  - from Normal mode: Connect charger, then enter [AT^SMSO](#).
- Alarm mode: The battery can be charged while the ME stays in Alarm mode.

Charging begins once the charger connects to the POWER pins of the ZIF connector (except for the Alarm mode).

### Syntax

Test Command

```
AT^SBC=?
```

Response(s)

```
^SBC: (list of supported <bcs>s), (list of supported <bcl>s), (list of supported <mpc>s)  
OK
```

Read Command

```
AT^SBC?
```

Response(s)

```
^SBC: <bcs>, <bcl>, <mpc>  
OK  
ERROR  
+CME ERROR: <err>
```

Write Command

```
AT^SBC=<current>
```

Response(s)

```
OK  
ERROR  
+CME ERROR: <err>
```

PIN	ASC0	MUX1	MUX2	MUX3
○	●	●	●	●

Reference(s)
SIEMENS

### Unsolicited Result Codes

#### URC 1

Undervoltage and overvoltage conditions will be reported by unsolicited result codes. The URCs need not be activated by the user, but will be output automatically when fault conditions occur. For further details regarding automatic shutdown and voltage ratings please refer to [2].

`^SBC: Undervoltage`

The URC will be reported, for example, when you attempt to make a call while the voltage is close to the critical limit and further power loss is caused during the transmit burst. To remind you that the battery needs to be charged soon, the URC appears several times in a minute before the module switches off. If the voltage drops quickly down to a value which is 50mV below the minimum threshold only one URC will be presented.

#### URC 2

`^SBC: Overvoltage warning`

This URC is an alarm indicator displayed when the supply voltage approaches its maximum level. The URC appears only once.

#### URC 3

`^SBC: Overvoltage shutdown`

This URC will be reported when the voltage exceeds the maximum level specified in the Hardware Interface Description. It appears only once before the module starts to perform an orderly shutdown.

In applications powered from Li-Ion batteries the incorporated protection circuit typically prevents overcharging, thus eliminating the risk of overvoltage conditions. Yet, in case of charging errors, for example caused by a bad battery or due to the absence of a battery protection circuit, the module's overvoltage shutdown function will take effect to avoid overcharging.

The automatic shutdown procedure caused by undervoltage or overvoltage is equivalent to the power-down initiated with the `AT^SMSO` command, i.e. ME logs off from the network and the software enters a secure state avoiding loss of data. When the module is in IDLE mode it takes typically one minute to deregister from the network and to switch off.

### Command Description

Use the write command to specify the power consumption of your external application. This information enables the ME to calculate the average power consumption `<mpc>` and to properly control the charging process. If the value is not correct the entire charging process may be affected. Resulting problems may be wrong responses to the `AT^SBC` read command, overcharging, or the battery does not reach full capacity.

When the ME is powered down or reset, the value of `<current>` is restored to its default.

### Parameter Description

<code>&lt;bcs&gt;</code> <sup>(num)</sup>	Description
0	No charging adapter is connected

1	Charging adapter is connected
2	Charging adapter is connected, charging in progress
3	Charging adapter is connected, charging has finished
4	Charging error, charging is interrupted
5	False charging temperature, charging is interrupted while temperature is beyond allowed range

<bcl><sup>(num)</sup>

Battery capacity

0, 20, 40, 60, 80, 100 percent of remaining capacity (6 steps)

0 indicates that either the battery is exhausted or the capacity value is not available

While charging is in progress (charging adapter connected) the battery capacity is not available. Consequently, parameter <bcl>=0. To query the battery capacity disconnect the charger.

<mpc><sup>(num)</sup>

Average power consumption.

Value (0...5000) of average power consumption (mean value over a couple of seconds) in mA.

<mpc> is obtained from the ME's power consumption, plus the value you have specified for the application by using the write command AT^SBC=<current>. Remember that the ME's power consumption varies with its operating mode (IDLE, TALK, DATA) and the power level.

If <current> was not yet specified and no battery pack NTC is detected <mpc> returns only the module's present power consumption.

If <current> was not yet specified, but the NTC of the connected battery pack is detected, an offset value of 200mA will, by default, be added. 200mA is an estimated value which represents the power consumption of a typical external application. Drawn from practical experience it serves as a precaution to ensure proper charging in case you have not entered <current>. It is strongly recommended that you enter the correct power consumption of your application as described below.

Note: If the battery does not incorporate an NTC, or the battery and the NTC are not compliant with the requirements specified in [2], the battery cannot be detected by the ME.

<current><sup>(num)</sup>

Enter the current consumption of your application in mA (0...5000). If used, the current provided over the by 2.9V VDD pin of the application interface (maximum 10mA) must be added, too.

## Notes

- If Multiplex mode is active, any virtual channel can be used to enter the write command and to specify <current>. The undervoltage URC appears simultaneously on all three channels.
- The URC "SYSSTART CHARGE-ONLY MODE" is indicated automatically when the engine enters this mode (except when autobauding is active). Unlike the undervoltage and overvoltage URC, it cannot be disabled or enabled by the user.

## 16.3.1 Summary of AT commands available in Charge-only and Alarm mode

For details about available AT commands, please see [16.1.1](#)

## 16.4 AT^SBV Battery/Supply Voltage

### Syntax

Test Command

```
AT^SBV=?
```

Response(s)

```
OK  
ERROR  
+CME ERROR:
```

Exec Command

```
AT^SBV
```

Response(s)

```
^SBV: <value>  
OK  
ERROR  
+CME ERROR:
```

PIN	ASC0	MUX1	MUX2	MUX3
<input type="radio"/>	<input checked="" type="radio"/>	<input checked="" type="radio"/>	<input checked="" type="radio"/>	<input checked="" type="radio"/>

Reference(s)

SIEMENS

### Command Description

The exec command allows to monitor the supply (or battery) voltage of the module measured on pin BATT+. The reference point for measuring the voltage are the test points BATT+ and GND on the bottom of the module. Refer to [1] for information on the module's test points.

The displayed value is constant over the measurement period. The duration of the measurement period depends on the operating mode on the radio interface: it ranges from 0.5s in Talk / Data mode to 50s in deregistered mode.

### Parameter Description

<value><sup>(num)</sup>

supply (or battery) voltage in mV

## 16.5 AT^SCTM Set critical operating temperature presentation mode or query temperature

This command can be used to monitor the temperature of the module.

CAUTION: During the first 15 seconds after start-up, the module operates in an automatic report mode: URCs can be always displayed regardless of the selected mode [<n>](#).

### Syntax

#### Test Command

AT^SCTM=?

#### Response(s)

If parameter [<p>](#)= 0:

^SCTM: (list of supported [<n>](#)s)

OK

If parameter [<p>](#)= 1:

^SCTM: (list of supported [<n>](#)s), (range of [<temp>](#) in Celsius)

OK

#### Read Command

AT^SCTM?

#### Response(s)

If parameter [<p>](#)= 0:

^SCTM: [<n>](#), [<m>](#)

OK

If parameter [<p>](#)= 1:

^SCTM: [<n>](#), [<m>](#), [<temp>](#)

OK

#### Write Command

AT^SCTM=[<n>](#)[, [<p>](#)]

#### Response(s)

OK

ERROR

+CME ERROR: [<err>](#)

PIN    ASC0    MUX1    MUX2    MUX3

#### Reference(s)

SIEMENS



## Unsolicited Result Codes

### URC 1

URCs will be automatically sent to the TA when the temperature reaches or exceeds the critical level, or when it is back to normal.

^SCTM\_A: <m>

for battery temperature

### URC 2

^SCTM\_B: <m>

for module (board) temperature

## Command Description

The read command returns the following parameters:

- the URC presentation mode
- information about the current temperature range of the module  
Please note that the Read command does not indicate the temperature range of the battery. This value can only be reported by an Unsolicited Result Code.
- The board temperature in Celsius if parameter <p>=1.

Select <n> to enable or disable the presentation of the URCs. Please note that the setting will not be stored upon Power Down, i.e. after restart or reset, the default <n>=0 will be restored. To benefit from the URCs <n>=1 needs to be selected every time you reboot the GSM engine.

## Parameter Description

<n><sup>(num)</sup>

0(&F)	Presentation of URCs is disabled (except for <m> equal to -2 or +2).
1	Presentation of URCs is enabled.

<m><sup>(num)</sup>

-2	Below lowest temperature limit (causes immediate switch-off)
-1	Below low temperature alert limit
0	Normal operating temperature
1	Above upper temperature alert limit
2	Above uppermost temperature limit (causes immediate switch-off)

<p><sup>(num)</sup>

0(&F)	Suppress output of <temp> in test and read command.
1	Output <temp> in test and read command.

<temp><sup>(num)</sup>

Board temperature in Celsius. Is comprised between the lowest temperature limit and the uppermost temperature limit.

## Notes

- Please refer to the "Hardware Interface Description" for specifications on critical temperature ranges.
- To avoid damage the module will shut down once the critical temperature is exceeded. The procedure is equivalent to the power-down initiated with [AT^SMSO](#).
- URCs indicating the alert level "1" or "-1" are intended to enable the user to take appropriate precautions, such as protect the module or battery from exposure to extreme conditions, or save or back up data etc. The presentation of "1" or "-1" URCs depends on the settings selected with the write command:  
If `<n>=0`: Presentation is enabled for 15 s time after the module was switched on. After 15 s operation, the presentation will be disabled, i.e. no URCs will be generated.  
If `<n>= 1`: Presentation of "1" or "-1" URCs is always enabled.
- Level "2" or "-2" URCs are followed by immediate shutdown. The presentation of these URCs is always enabled, i.e. they will be output even though the factory setting `AT^SCTM=0` was never changed.
- If the temperature limit is exceeded while an emergency call is in progress the engine continues to measure the temperature and to deliver alert messages, but deactivates the shutdown functionality. Once the call is terminated full temperature control will be resumed. If the temperature is still out of range ME switches off immediately.

## Examples

### EXAMPLE 1

URCs issued when the operating temperature is out of range:

<code>^SCTM_A: 1</code>	Caution: Battery close to overtemperature limit.
<code>^SCTM_A: 2</code>	Alert: Battery above overtemperature limit. Engine switches off.
<code>^SCTM_B: 1</code>	Caution: Engine close to overtemperature limit.
<code>^SCTM_B: 2</code>	Alert: Engine is above overtemperature limit and switches off.
<code>^SCTM_A: -1</code>	Caution: Battery close to undertemperature limit.
<code>^SCTM_A: -2</code>	Alert: Battery below undertemperature limit. Engine switches off.
<code>^SCTM_B: -1</code>	Caution: Engine close to undertemperature limit.
<code>^SCTM_B: -2</code>	Alert: Engine is below undertemperature limit and switches off.

### EXAMPLE 2

URCs issued when the temperature is back to normal:

<code>^SCTM_A: 0</code>	Battery temperature back to normal temperature.
<code>^SCTM_B: 0</code>	Engine back to normal temperature

## 16.6 AT^SSYNC Configure SYNC Pin

The `AT^SSYNC` command serves to configure the SYNC pin of the application interface. The applicability of the different types of `<mode>` is product dependent:

- If you have a TC35i module you may select either mode, depending on whether your application is designed to use the SYNC mode (indicates the current consumption in a transmit burst) or the LED mode (drives a status LED connected to the pin). See [2] for further details on both modes.
- In the case of the TC35i Terminal the `AT^SSYNC` command is intended only to control the status LED placed on the front panel. Therefore, the SYNC mode (`<mode>=0`) is not applicable. Further details on the LED can be found in [6].

### Syntax

Test Command

```
AT^SSYNC=?
```

Response(s)

```
^SSYNC: list of supported <mode>s  
OK
```

Read Command

```
AT^SSYNC?
```

Response(s)

```
^SSYNC: <mode>  
OK
```

Write Command

```
AT^SSYNC=<mode>
```

Response(s)

```
OK
```

PIN	ASC0	MUX1	MUX2	MUX3
<input type="radio"/>	<input checked="" type="radio"/>	<input checked="" type="radio"/>	<input checked="" type="radio"/>	<input checked="" type="radio"/>

Reference(s)

SIEMENS

### Parameter Description

<code>&lt;mode&gt;</code> <sup>(num)</sup>	
[0]	<p>SYNC mode: Enables the SYNC pin to indicate growing power consumption during a transmit burst. You can make use of the signal generated by the SYNC pin, if power consumption is your concern. To do so, ensure that your application is capable of processing the signal. Your platform design must be such that the incoming signal causes other components to draw less current. In short, this allows your application to accommodate current drain and thus, supply sufficient current to the GSM engine if required.</p> <p>Note: <code>&lt;mode&gt;=0</code> is the factory default of the TC35i module. In the case of the TC35i Terminal this mode is not applicable and should not be selected.</p>
1	<p>LED mode: Enables the SYNC pin to drive a status LED installed in your application according to the specifications provided in [2]. The coding of the LED is described in Chapter 16.6.1. Note: <code>&lt;mode&gt;=1</code> is the factory default of the TC35i Terminal.</p>
2	<p>LED mode: Like <code>&lt;mode&gt;=1</code>, but, additionally, enables different LED signalization in SLEEP mode depending on the status of PIN authentication and network registration.</p>

### Notes

- The selected `<mode>` is stored to the non-volatile Flash memory, and thus retained after Power Down.
- Please see [AT+CFUN](#) for details on SLEEP mode.

## 16.6.1 ME status indicated by status LED patterns

The following table lists the possible patterns of status LED behavior, and describes the ME status indicated by each pattern for `<mode>=1` and `<mode>=2`.

**Table 16.1:** Modes of the LED and indicated ME functions

LED behavior	<code>AT^SSYNC</code> parameter <code>&lt;mode&gt;= 1</code>	<code>AT^SSYNC</code> parameter <code>&lt;mode&gt;= 2</code>
Off	ME is off, or ME is running in Alarm mode or Charge-only mode or SLEEP mode (cf. <a href="#">AT+CFUN</a> ).	ME is off, or ME is running in Alarm mode or Charge-only mode.
600 ms on / 600ms off	ME is in full functionality mode ( <code>AT+CFUN= 1</code> ) and no SIM card inserted or no PIN entered; or the ME is in SLEEP mode or full functionality mode while network search, user authentication or network login are in progress.	As for <code>AT^SSYNC</code> parameter <code>&lt;mode&gt;= 1</code>

LED behavior	AT^SSYNC parameter <mode>= 1	AT^SSYNC parameter <mode>= 2
75 ms on / 3 s off	ME is registered to the GSM network (monitoring control channels and user interactions). No call is in progress. ME is in full functionality mode (AT+CFUN= 1) or in a "temporary wake-up state" after characters have been detected on the serial interface in CYCLIC SLEEP mode. The AT interface is fully accessible.	As for AT^SSYNC parameter <mode>= 1
On	Depending on type of call: Voice call: Connected to remote party. Data call: Connected to remote party or exchange of parameters while setting up or disconnecting a call.	As for AT^SSYNC parameter <mode>= 1
<n> ms on / <n> ms off	Not possible: With AT^SSYNC=1, LED signalization is disabled in SLEEP mode.	SLEEP mode is activated (AT+CFUN parameter <fun> ≠ 1), but power saving does not work because the ME is not registered to the GSM network (e.g. SIM not inserted or PIN not entered, and therefore, either no network service or only "Limited network service" is available.
Approx. 15 ms on / <m> ms off	Not possible: With AT^SSYNC=1, LED signalization is disabled in SLEEP mode.	SLEEP mode is activated (AT+CFUN parameter <fun> ≠ 1) while the ME is registered to the GSM network. Power saving is properly enabled.

The duration of <n> and <m> depends on the network. In SLEEP mode, the module can only change its LED status during intermittent wake-up periods when listening to paging information from the base station. Therefore the values of <n> and <m> vary as follows:

<n> = value from 1410 ms to 2360 ms  
<m> = value from 2110 ms to 3770 ms

## 17. Miscellaneous Commands

The AT Commands described in this chapter are related to various areas.

### 17.1 A/ Repeat previous command line

#### Syntax

Exec Command
A/
Response(s)

PIN	ASC0	MUX1	MUX2	MUX3
<input type="radio"/>	<input checked="" type="radio"/>	<input checked="" type="radio"/>	<input checked="" type="radio"/>	<input checked="" type="radio"/>

Reference(s)
V.25ter

#### Command Description

Repeat previous command line.

#### Notes

- Line does not need to end with terminating character.
- After beginning with the character "a" or "A" a second character "t", "T" or "/" has to follow. In case of using a wrong second character, it is necessary to start again with character "a" or "A".
- If autobauding is active, the command A/ cannot be used (see [AT+IPR](#)).

## 17.2 ATS3 Write command line termination character

### Syntax

Read Command

ATS3?

Response(s)

<n>

OK

Write Command

ATS3=<n>

Response(s)

OK

PIN	ASC0	MUX1	MUX2	MUX3
<input type="radio"/>	<input checked="" type="radio"/>	<input checked="" type="radio"/>	<input checked="" type="radio"/>	<input checked="" type="radio"/>

Reference(s)

V.25ter

### Command Description

This parameter setting determines the character recognized by TA to terminate an incoming command line.

### Parameter Description

<n><sup>(num)(&W)(&V)</sup>

command line termination character

000...13<sup>(&F)</sup>...127

### Note

- Using other value than 13 may cause problems when entering commands.

## 17.3 ATS4 Set response formatting character

### Syntax

Read Command

ATS4?

Response(s)

<n>

OK

Write Command

ATS4=<n>

Response(s)

OK

PIN ASC0 MUX1 MUX2 MUX3

Reference(s)

V.25ter

### Command Description

This parameter setting determines the character generated by the TA for result code and information text.

### Parameter Description

<n><sup>(num)(&W)(&V)</sup>

response formatting character

000...10<sup>(&F)</sup>...127



## 17.4 ATS5 Write command line editing character

### Syntax

Read Command

ATS5?

Response(s)

<n>

OK

Write Command

ATS5=<n>

Response(s)

OK

PIN ASC0 MUX1 MUX2 MUX3

Reference(s)

V.25ter

### Command Description

This parameter setting determines the character recognized by TA as a request to delete the immediately preceding character from the command line.

### Parameter Description

<n> (num)(&W)(&V)

command line editing character

000...8(&F)...127

## 18. Appendix

### 18.1 Restricted access to SIM data after SIM PIN authentication

The following commands can be used only after data from the SIM have been read successfully for the first time. Reading starts after successful SIM authentication has been performed, and may take up to 30 seconds depending on the SIM used. While the read process is in progress, an attempt to use any of the following commands will result in "+CME Error: 14" (SIM busy).

We recommend to take advantage of the "^SSIM READY" URC. If enabled with `AT^SSET`, this URC acknowledges to the user that SIM data is accessible after SIM PIN authentication. It will be delivered once the ME has completed reading data from the SIM card.

∅ ... AT Command not available

○ ... AT command accessible immediately after PIN entry has returned OK

● ... AT command fully accessible after SIM PIN authentication has been completed

AT Command	Exec	Test	Read	Write
<code>AT+CMGL</code>	●	○	∅	●
<code>AT^SMGL</code>	●	○	∅	●
<code>AT^SCML</code>	●	○	∅	●
<code>AT+CMGR</code>	∅	○	∅	●
<code>AT^SMGR</code>	∅	○	∅	●
<code>AT^SCMR</code>	∅	○	∅	●
<code>AT+CSCA</code>	∅	○	●	○
<code>AT^SSTGI</code>	∅	●	●	●
<code>AT^SSTR</code>	∅	●	●	●
<code>AT+CPBR</code>	∅	●	∅	●
<code>AT+CPBW</code>	∅	●	∅	●
<code>AT+CPBS</code>	∅	●	●	●
<code>AT^SDLD</code>	●	●	∅	∅
<code>AT^SPBC</code>	∅	●	∅	●
<code>AT^SPBD</code>	∅	●	∅	●
<code>AT^SPBG</code>	∅	●	∅	●
<code>AT^SPBS</code>	∅	●	∅	●
<code>ATD&gt;&lt;mem&gt;&lt;n&gt;</code>	●	∅	∅	∅

## 18.2 List of \*# Codes

The following GSM command strings can be sent with the [ATD](#) command and must be terminated with semicolon ";". Reference: GSM 2.30.

**Table 18.1:** List of \*# Codes

*# code	Functionality	Possible response(s)
Phone Security		
*#06#	Query IMEI:	<IMEI> OK
**04[2]*oldPin*newPin[2]*new-Pin[2]#	Change SIM pwd:	+CME ERROR: <err> / OK
**05[2]*unblKey*newPin[2]*new-Pin[2]#	Change/Unblocking SIM pwd:	+CME ERROR: <err> / OK
*#0003*MasterPhoneCode#	Unlock "PS" lock with Master Phone Code	+CME ERROR: <err> / OK
*[*]03*[ZZ]*oldPw*newPw*newPw#	Registration of net password	+CME ERROR: <err> / OK
Phone number presentation		
*#30#	Check status of CLIP (Calling Line Identification Presentation)	+CLIP : <n>,<m> OK (see: <a href="#">AT+CLIP</a> )
*#31#	Check status of CLIR (Calling Line Identification Restriction)	+CLIR : <n>,<m> OK (see: <a href="#">AT+CLIR</a> )
*31#<Phonenumber>[:]	Suppress CLIR	(see <a href="#">AT+CLIR</a> )
#31#<Phonenumber>[:]	Activate CLIR	(see <a href="#">AT+CLIR</a> )
*#76#	Check status of COLP (Connected Line Identification Presentation)	+COLP : 0,<m> OK (where <m> = active or not active)
*#77#	Check status of COLR (Connected Line Identification Restriction)	+COLR : 0,<m> OK (where <m> = active or not active)
Call forwarding (See also Chapter <a href="#">1.5.1</a> )		
(choice of *,#,*,*,**,##)21*DN*BS#	Act/deact/int/reg/eras CFU	^SCCFC : <reason>, <status>, <class> [...] like +CCFC ^)(see: <a href="#">AT+CCFC</a> )
(choice of *,#,*,*,**,##)67*DN*BS#	Act/deact/int/reg/eras CF busy	see above
(choice of *,#,*,*,**,##)61*DN*BS*T#	Act/deact/int/reg/eras CF no reply	see above
(choice of *,#,*,*,**,##)62*DN*BS#	Act/deact/int/reg/eras CF no reach	see above
(choice of *,#,*,*,**,##)002*DN*BS*T#	Act/deact/int/reg/eras CF all	see above
(choice of *,#,*,*,**,##)004*DN*BS*T#	Act/deact/int/reg/eras CF all cond.	see above
Call waiting (See also Chapter <a href="#">1.5.1</a> )		

*# code	Functionality	Possible response(s)
(choice of *,#,*)43*BS#	Activation/deactivation/int WAIT	+CCWA : <status>, <class> [...] like +CCWA *) (see: <a href="#">AT+CCWA</a> )
Call barring (See also Chapter 1.5.1)		
(choice of *,#,*)33*Pw*BS#	Act/deact/int BAOC	^SCLCK : <fac>, <status>, <class> [, ...] like +CLCK *) (Refer to Chapter <a href="#">AT+CLCK</a> )
(choice of *,#,*)331*Pw*BS#	Act/deact/int BAOIC	see above
(choice of *,#,*)332*Pw*BS#	Act/deact/int BAOIC exc.home	see above
(choice of *,#,*)35*Pw*BS#	Act/deact/int. BAIC	see above
(choice of *,#,*)351*Pw*BS#	Act/deact/int BAIC roaming	see above
#330*Pw*BS#	Deact. All Barring Services	see above
#333*Pw*BS#	Deact. All Outg.Barring Services	see above
#353*Pw*BS#	Deact. All Inc.Barring Services	see above
Call Hold / Multiparty		
C[C] in call	Call hold and multiparty	+CME ERROR: <err> / OK
USSD messages		
[C]...[C]#	Send USSD message	+CME ERROR: <err> / OK
C[C] (excluded 1[C])	Send USSD message	+CME ERROR: <err> / OK

\*) ^SCCFC, +CCWA, ^SCLCK: The output depends on the affected basic service of the \*# code. One line will be output for every tele- or bearer service coded in basic service code BS.  
^SCCFC and ^SCLCK are modified by giving an additional <reason> or <fac> in front of the regular output string generated by the standard commands +CCFC and +CLCK.

**Table 18.2:** Abbreviations of Codes and Parameters Used in Table "List of \*# Codes"

Abbreviation	Meaning	Value
ZZ	Type of supplementary services: Barring services All services	330 Not specified
DN	Dialing number	String of digits 0-9

Abbreviation	Meaning	Value
BS	Basic service equivalent to parameter class:	
	Voice	11
	FAX	13
	SMS	16
	SMS+FAX	12
	Voice+FAX	19
	Voice+FAX+SMS	10
	Data circuit asynchron	25
	Data circuit synchron	24
	PAD	27
	Packet	26
	Data circuit asynchron+PAD	21
	Data circuit synchron+Packet	22
	Data circuit asynchron+synchron+PAD	20
All Services	--	
T	Time in seconds	In contrast to AT Command <a href="#">AT+CCFC</a> , parameter T has no default value. If T is not specified, an operator defined default or the last known value may be used, depending on the network operator.
PW	Password	--
C	Character of TE character set (e.g. asterics, hash or digit in case of USSD, or digits in case of held calls or multiparty calls)	--

Possible responses

Parameter	Meaning
<m>	Mode: 0 = not active, 1 = active
<n>	Unsolicited result code: 0 = presentation disabled, 1 = presentation enabled
<status>	Status: 0 = not active, 1 = active
<class>	Represents BS = basic service. See Chapters <a href="#">AT+CCFC</a> , <a href="#">AT+CLCK</a> and <a href="#">1.5.1</a> .
<fac>	Facility lock. See Chapter <a href="#">AT+CLCK</a> .
<reason>	Call forwarding reason

For the exact specification of the format and parameters for \*# strings, please refer to GSM 02.30, Annex C, and GSM 02.04, Table 3.2.

Function of \*# codes for Supplementary Services:

*# Code	Abbreviations used in Chapter <a href="#">List of *# Codes</a>	Function
*	act	Activate (except for CLIR, see list above)
**	reg	Register and activate
*#	int	Check status (interrogate)

---

*# Code	Abbreviations used in Chapter <a href="#">List of *# Codes</a>	Function
#	deact	Deactivate (except for CLIR, see list above)
##	eras	Unregister and deactivate

## 18.3 Available AT Commands and Dependency on SIM PIN

- ∅ ... command not available
- ... command does not require PIN1
- ... command requires PIN1
- ◐ ... command sometimes requires PIN1

**Table 18.3:** Available AT Commands and Dependency on SIM PIN

AT Command	Exec	Test	Read	Write
<b>Configuration Commands</b>				
AT&F	○	∅	∅	∅
AT&V	○	∅	∅	∅
AT&W	○	∅	∅	∅
ATQ	○	∅	∅	∅
ATV	○	∅	∅	∅
ATX	○	∅	∅	∅
AT\V	○	∅	∅	∅
ATZ	○	∅	∅	∅
AT+CFUN	∅	○	○	○
AT^SMSO	○	○	∅	∅
AT+GCAP	○	○	∅	∅
AT+CMEE	∅	○	○	○
AT+CSCS	∅	○	○	○
AT^SCFG	∅	○	○	○
AT^SM20	∅	○	○	○
<b>Status Control Commands</b>				
AT+CMER	∅	●	●	●
AT+CIND	∅	○	○	○
AT^SIND	∅	○	○	○
AT+CEER	●	●	∅	∅
ATS18	∅	∅	○	○
AT+CPAS	○	○	∅	∅
AT+WS46	∅	○	○	○
<b>Serial Interface Control Commands</b>				
AT\Q	○	∅	∅	∅
AT&C	○	∅	∅	∅
AT&D	○	∅	∅	∅

AT Command	Exec	Test	Read	Write
AT%D	●	●	●	∅
AT&S	○	∅	∅	∅
ATE	○	∅	∅	∅
AT+ICF	∅	○	○	○
AT+IFC	∅	○	○	○
AT+ILRR	∅	●	●	●
AT+IPR	∅	○	○	○
AT+CMUX	∅	○	○	○
AT^STPB	∅	○	○	○
<b>Security Commands</b>				
AT+CPIN	∅	○	○	○
AT+CPIN2	∅	●	●	●
AT^SPIC	○	○	∅	∅
AT+CLCK	∅	●	∅	●
AT^SLCK	∅	●	∅	●
AT+CPWD	∅	●	∅	●
AT^SPWD	∅	●	∅	●
<b>Identification Commands</b>				
ATI	○	∅	∅	∅
AT+CGMI	○	○	∅	∅
AT+GMI	○	○	∅	∅
AT+CGMM	○	○	∅	∅
AT+GMM	○	○	∅	∅
AT+CGMR	○	○	∅	∅
AT+GMR	○	○	∅	∅
AT+CGSN	○	○	∅	∅
AT+GSN	○	○	∅	∅
AT+CIMI	●	●	∅	∅
<b>Call related Commands</b>				
ATA	●	∅	∅	∅
ATD	●	∅	∅	∅
ATD><mem><n>	●	∅	∅	∅
ATD><n>	●	∅	∅	∅
ATD><str>	●	∅	∅	∅
ATDI	●	∅	∅	∅



AT Command	Exec	Test	Read	Write
ATDL	●	∅	∅	∅
ATH	○	∅	∅	∅
AT+CHUP	●	●	∅	∅
AT^SHUP	∅	●	∅	●
ATS0	∅	∅	○	○
ATS6	∅	∅	○	○
ATS7	∅	∅	○	○
ATS8	∅	∅	○	○
ATS10	∅	∅	○	○
ATP	○	∅	∅	∅
ATO	○	∅	∅	∅
+++	○	∅	∅	∅
ATT	○	∅	∅	∅
AT+CBST	∅	○	○	○
AT+CRLP	∅	○	○	○
AT+CLCC	●	●	∅	∅
AT+CR	∅	◐	◐	◐
AT+CRC	∅	○	○	○
AT+CSNS	∅	○	○	○
AT^SCNI	●	●	∅	∅
AT^SLCD	●	●	∅	∅
AT^STCD	●	●	∅	∅
<b>Network Service Commands</b>				
AT+COPN	●	●	∅	∅
AT+COPS	∅	○	○	○
AT+CREG	∅	○	○	○
AT+CSQ	○	○	∅	∅
AT^SMONC	●	●	∅	∅
AT^SMOND	●	●	∅	●
AT^MONI	○	○	∅	○
AT^MONP	○	○	∅	○
AT^SALS	∅	●	●	●
AT^SHOM	○	○	∅	∅
AT^SPLM	●	●	∅	∅
AT^SPLR	∅	●	∅	●
AT^SPLW	∅	●	∅	●

AT Command	Exec	Test	Read	Write
<b>Supplementary Service Commands</b>				
AT+CACM	∅	●	●	●
AT^SACM	●	●	∅	●
AT+CAMM	∅	●	●	●
AT+CAOC	●	●	●	●
AT+CCUG	∅	●	●	●
AT+CCFC	∅	●	∅	●
AT+CCWA	∅	●	●	●
AT+CHLD	∅	●	∅	●
AT+CLIP	∅	○	●	○
AT+CLIR	∅	●	●	●
AT+CPUC	∅	●	●	●
AT+CSSN	∅	○	○	○
AT+CUSD	∅	●	●	●
<b>FAX Commands</b>				
AT+FBADLIN	∅	∅	○	○
AT+FBADMUL	∅	∅	○	○
AT+FBOR	∅	○	○	○
AT+FCIG	∅	○	○	○
AT+FCLASS	∅	○	○	○
AT+FCQ	∅	○	○	○
AT+FCR	∅	∅	∅	○
AT+FDCC	∅	○	○	○
AT+FDFFC	∅	○	○	○
AT+FDIS	∅	○	○	○
AT+FDR	○	∅	∅	∅
AT+FDT	○	∅	∅	○
AT+FET	∅	∅	∅	○
AT+FK	○	∅	∅	∅
AT+FLID	∅	○	○	○
AT+FMDL	∅	∅	○	∅
AT+FMFR	∅	∅	○	∅
AT+FOPT	∅	∅	∅	○
AT+FPHCTO	∅	∅	○	○
AT+FREV	∅	∅	○	∅

AT Command	Exec	Test	Read	Write
AT+FRH	∅	∅	∅	○
AT+FRM	∅	○	∅	○
AT+FRS	∅	∅	∅	○
AT+FTH	∅	∅	∅	○
AT+FTM	∅	○	∅	○
AT+FTS	∅	∅	∅	○
AT+FVRF	∅	○	○	○
<b>Short Message Service (SMS) Commands</b>				
AT+CMGC	∅	●	∅	●
AT+CMGD	∅	●	∅	●
AT+CMGF	∅	○	○	○
AT+CMGL	●	●	∅	●
AT+CMGR	∅	●	∅	●
AT+CMGS	∅	●	∅	●
AT+CMGW	●	●	∅	●
AT+CMSS	∅	●	∅	●
AT+CNMA	●	●	∅	●
AT+CNMI	∅	●	●	●
AT+CPMS	∅	●	●	●
AT+CSCA	∅	●	●	●
AT+CSCB	∅	●	●	●
AT+CSDH	∅	●	●	●
AT+CSMP	∅	●	●	●
AT+CSMS	∅	●	●	●
AT^SCML	●	●	∅	●
AT^SCMR	∅	●	∅	●
AT^SCMS	∅	●	∅	●
AT^SCMW	∅	●	∅	●
AT^SLMS	●	●	∅	∅
AT^SMGL	●	●	∅	●
AT^SMGO	∅	●	●	●
AT^SMGR	∅	●	∅	●
AT^SSCONF	∅	○	○	○
AT^SSDA	∅	○	○	○
AT^SSMSS	∅	○	○	○

AT Command	Exec	Test	Read	Write
<b>SIM related Commands</b>				
AT+CRSM	∅	●	∅	●
AT^SCKS	∅	○	○	○
AT^SSET	∅	○	○	○
AT^SCID	○	○	∅	∅
AT+CXXCID	○	○	∅	∅
<b>SIM Application Toolkit (SAT) Commands</b>				
AT^SSTA	∅	○	○	○
^SSTN	∅	∅	∅	∅
AT^SSTGI	∅	○	○	○
AT^SSTR	∅	○	○	○
<b>Phonebook Commands</b>				
AT+CPBR	∅	●	∅	●
AT+CPBS	∅	●	●	●
AT+CPBW	∅	●	∅	●
AT^SPBC	∅	●	∅	●
AT^SPBD	∅	●	∅	●
AT^SPBG	∅	●	∅	●
AT^SPBS	∅	●	∅	●
AT^SDLD	●	●	∅	∅
<b>Audio Commands</b>				
ATL	○	∅	∅	∅
ATM	○	∅	∅	∅
AT+CLVL	∅	○	○	○
AT+CMUT	∅	○	○	○
AT+VTD	∅	○	○	○
AT+VTS	∅	○	∅	○
AT^SAIC	∅	○	○	○
AT^SNFA	∅	○	○	○
AT^SNFD	○	○	∅	∅
AT^SNFI	∅	○	○	○
AT^SNFM	∅	○	○	○
AT^SNFO	∅	○	○	○
AT^SNFPT	∅	○	○	○

AT Command	Exec	Test	Read	Write
AT^SNFS	∅	○	○	○
AT^SNFV	∅	○	○	○
AT^SNFW	○	○	∅	∅
AT^SRTC	○	○	○	○
<b>Hardware related Commands</b>				
AT+CALA	∅	○	○	○
AT+CCLK	∅	○	○	○
AT^SBC	∅	○	○	○
AT^SBV	○	○	∅	∅
AT^SCTM	∅	○	○	○
AT^SSYNC	∅	○	○	○
<b>Miscellaneous Commands</b>				
A/	○	∅	∅	∅
ATS3	∅	∅	○	○
ATS4	∅	∅	○	○
ATS5	∅	∅	○	○

## 18.4 AT Command Settings storable with AT&W

**Table 18.4:** Settings Stored to User Profile on ASC0 / MUX Channel 1

AT Command	Stored parameters
<b>Configuration Commands</b>	
ATQ	<n>
ATV	<value>
ATX	<value>
AT\V	<value>
AT+CMEE	<n>
<b>Status Control Commands</b>	
AT+CMER	<mode>, <ind>
ATS18	<n>
<b>Serial Interface Control Commands</b>	
AT\Q	<n>
AT&C	<value>
AT&D	<value>
AT%D	<mode>, <dialType>
AT&S	<value>
ATE	<value>
AT+ICF	<format>, <parity>
AT+IFC	<TEflowcontrol>, <TAflowcontrol>
AT+ILRR	<value>
AT^STPB	<n>
<b>Call related Commands</b>	
ATS0	<n>
ATS6	<n>
ATS7	<n>
ATS8	<n>
ATS10	<n>
AT+CBST	<speed>, <name>, <ce>
AT+CRLP	<iws>, <mws>, <T1>, <N2>
AT+CR	<mode>
AT+CRC	<mode>
<b>Network Service Commands</b>	

AT Command	Stored parameters
AT+COPS	<format>
AT+CREG	<n>
Supplementary Service Commands	
AT^SACM	<n>
AT+CLIP	<n>
FAX Commands	
AT+FCLASS	<n>
Short Message Service (SMS) Commands	
AT+CMGF	<mode>
AT+CNMI	<mode>, <mt>, <bm>, <ds>, <bfr>
AT+CSDH	<show>
AT^SMGO	<n>
SIM related Commands	
AT^SCKS	<mode>
AT^SSET	<n>
Miscellaneous Commands	
ATS3	<n>
ATS4	<n>
ATS5	<n>

**Table 18.5:** Settings Stored to User Profile on MUX Channels 2 and 3

AT Command	Stored parameters
Configuration Commands	
ATQ	<n>
ATV	<value>
ATX	<value>
AT+CMEE	<n>
Status Control Commands	
AT+CMER	<mode>, <ind>
Serial Interface Control Commands	
AT\Q	<n>

AT Command	Stored parameters
AT&C	<value>
AT&D	<value>
AT%D	<mode>, <dialType>
AT&S	<value>
ATE	<value>
AT+ICF	<format>, <parity>
AT+IFC	<TEflowcontrol>, <TAflowcontrol>
<b>Call related Commands</b>	
ATS0	<n>
AT+CRC	<mode>
<b>Network Service Commands</b>	
AT+COPS	<format>
AT+CREG	<n>
<b>Supplementary Service Commands</b>	
AT^SACM	<n>
AT+CLIP	<n>
<b>Short Message Service (SMS) Commands</b>	
AT+CMGF	<mode>
AT+CNMI	<mode>, <mt>, <bm>, <ds>, <bfr>
AT+CSDH	<show>
AT^SMGO	<n>
<b>SIM related Commands</b>	
AT^SCKS	<mode>
AT^SSET	<n>
<b>Miscellaneous Commands</b>	
ATS3	<n>
ATS4	<n>
ATS5	<n>



## 18.5 Factory Default Settings Restorable with AT&F

**Table 18.6:** Factory Default Settings Restorable with AT&F

AT Command	Factory Defaults
<b>Configuration Commands</b>	
ATQ	<n>=0
ATV	<value>=1
ATX	<value>=4
AT\V	<value>=1
AT+CFUN	<fun>=1
AT+CMEE	<n>=0
AT+CSCS	<chset>="GSM"
AT^SM20	<CallMode>=1, <CmgwMode>=1
<b>Status Control Commands</b>	
AT+CMER	<mode>=0, <keyp>=0, <disp>=0, <ind>=0, <bfr>=0
ATS18	<n>=0
<b>Serial Interface Control Commands</b>	
AT\Q	<n>=0
AT&C	<value>=1
AT&D	<value>=2
AT%D	<mode>=0, <dialType>=" "
AT&S	<value>=0
ATE	<value>=1
AT+ILRR	<value>=0
AT^STPB	<n>=0
<b>Call related Commands</b>	
ATD<mem><n>	<mem>="SM"
ATS0	<n>=000
ATS6	<n>=000
ATS7	<n>=060
ATS10	<n>=002
AT+CBST	<speed>=7, <name>=0, <ce>=1
AT+CRLP	<iws>=61, <mws>=61, <T1>=78, <N2>=6
AT+CR	<mode>=0
AT+CRC	<mode>=0

AT Command	Factory Defaults
<b>Network Service Commands</b>	
AT+COPS	<format>=0
AT+CREG	<n>=0
AT^SALS	<view>=0
<b>Supplementary Service Commands</b>	
AT^SACM	<n>=0
AT+CLIP	<n>=0
AT+CSSN	<n>=0, <m>=0
AT+CUUSD	<n>=0
<b>FAX Commands</b>	
AT+FCLASS	<n>=0
<b>Short Message Service (SMS) Commands</b>	
AT+CMGF	<mode>=0
AT+CNMI	<mode>=0, <mt>=0, <bm>=0, <ds>=0, <bfr>=1
AT+CSDH	<show>=0
AT+CSMP	<fo>=17, <vp>=167, <dc>=0, <pid>=0
AT^SMGO	<n>=0
AT^SSCONF	<ra>=0, <ff>=0
AT^SSDA	<da>=0
AT^SSMSS	<seq>=0
<b>SIM related Commands</b>	
AT^SCKS	<mode>=0
AT^SSET	<n>=0
<b>Phonebook Commands</b>	
AT+CPBS	<storage>="SM"
AT^SPBD	<storage>="SM"
AT^SPBS	<internal-counter>=0
<b>Audio Commands</b>	
AT+VTD	<duration>=1
<b>Hardware related Commands</b>	
AT^SCTM	<n>=0, <p>=0

AT Command	Factory Defaults
Miscellaneous Commands	
ATS3	<n>=013
ATS4	<n>=010
ATS5	<n>=008

## 18.6 Summary of Unsolicited Result Codes (URC)

**Table 18.7:** Summary of Unsolicited Result Codes (URC)

AT Command	URC
<b>Configuration Commands</b>	
AT^SMSO	^SHUTDOWN
AT^SCFG	^SCFG: : "AutoExec", <AutoExecState>, <AutoExecType>, <AutoExecIndex>, <AutoExecMode>, <AutoExecATC>
<b>Status Control Commands</b>	
AT+CMER	+CIEV: <indDescr>, <indValue>
AT+CRCL	+CRING: <type>
<b>Network Service Commands</b>	
AT+CREG	+CREG: <stat>
AT+CREG	+CREG: <stat>[, <lac>, <ci>]
AT^SALS	view: <line>
<b>Supplementary Service Commands</b>	
AT^SACM	+CCCM: <ccm>
AT+CCWA	+CCWA: <calling number>, <type of number>, <class>, , <CLI validity>
AT+CCWA	^SCWA
AT+CLIP	+CLIP: <number>, <type>, , , , <CLI validity>
AT+CLIP	+CLIP: <number>, <type>
AT+CSSN	+CSSI: <code 1>
AT+CSSN	+CSSU: <code 2>
AT+CUSD	+CUSD: <m>[<str>[<dcs>]]
<b>Short Message Service (SMS) Commands</b>	
AT+CNMI	+CMTI: <mem3>, <index>
AT+CNMI	+CMT: <length><CR><LF><pdu>
AT+CNMI	+CMT: <oa>, <scts>[, <tooa>, <fo>, <pid>, <dcs>, <sca>, <tosca>, <length>]<CR><LF><data>
AT+CNMI	+CBM: <length><CR><LF><pdu>
AT+CNMI	+CBM: <sn>, <mid>, <dcs>, <page>, <pages><CR><LF><data>
AT+CNMI	+CDS: <length><CR><LF><pdu>
AT+CNMI	+CDS: <fo>, <mr>[, <ra>][, <tora>], <scts>, <dt>, <st>
AT+CNMI	+CDSI: <mem3>, <index>
AT^SMGO	^SMGO: <mode>

AT Command	URC
SIM related Commands	
AT^SCKS	^SCKS: <SimStatus>
AT^SSET	^SSIM READY
SIM Application Toolkit (SAT) Commands	
^SSTN	^SSTN: <cmdType>
^SSTN	^SSTN: <cmdTerminateValue>
^SSTN	^SSTN: 254
^SSTN	^SSTN: 255
Hardware related Commands	
AT+CALA	+CALA: <text>
AT^SBC	^SBC: Undervoltage
AT^SBC	^SBC: Overvoltage warning
AT^SBC	^SBC: Overvoltage shutdown
AT^SCTM	^SCTM_A: <m>
AT^SCTM	^SCTM_B: <m>

## 18.7 Alphabetical List of AT Commands

**Table 18.8:** Alphabetical List of AT Commands

AT Command	Description	Chapter and Page
+++	Switch from data mode to command mode	<a href="#">Chapter 7.18, page 165</a>
^SSTN	SAT Notification	<a href="#">Chapter 13.2, page 337</a>
A/	Repeat previous command line	<a href="#">Chapter 17.1, page 410</a>
AT%D	Automatic Dial on DTR Line Activation	<a href="#">Chapter 4.4, page 89</a>
AT&C	Set circuit Data Carrier Detect (DCD) function mode	<a href="#">Chapter 4.2, page 87</a>
AT&D	Set circuit Data Terminal Ready (DTR) function mode	<a href="#">Chapter 4.3, page 88</a>
AT&F	Set all current parameters to manufacturer defaults	<a href="#">Chapter 2.1, page 28</a>
AT&S	Set circuit Data Set Ready (DSR) function mode	<a href="#">Chapter 4.5, page 92</a>
AT&V	Display current configuration	<a href="#">Chapter 2.2, page 29</a>
AT&W	Stores current configuration to user defined profile	<a href="#">Chapter 2.3, page 32</a>
AT+CACM	Accumulated call meter (ACM) reset or query	<a href="#">Chapter 9.1, page 212</a>
AT+CALA	Set alarm time	<a href="#">Chapter 16.1, page 395</a>
AT+CAMM	Accumulated call meter maximum (ACMmax) set or query	<a href="#">Chapter 9.3, page 216</a>
AT+CAOC	Advice of Charge information	<a href="#">Chapter 9.4, page 218</a>
AT+CBST	Select bearer service type	<a href="#">Chapter 7.20, page 167</a>
AT+CCFC	Call forwarding number and conditions control	<a href="#">Chapter 9.6, page 222</a>
AT+CCLK	Real Time Clock	<a href="#">Chapter 16.2, page 399</a>
AT+CCUG	Closed User Group	<a href="#">Chapter 9.5, page 220</a>
AT+CCWA	Call Waiting	<a href="#">Chapter 9.7, page 226</a>
AT+CEER	Extended error report	<a href="#">Chapter 3.4, page 71</a>
AT+CFUN	Set phone functionality	<a href="#">Chapter 2.9, page 39</a>
AT+CGMI	Request manufacturer identification	<a href="#">Chapter 6.2, page 132</a>
AT+CGMM	Request model identification	<a href="#">Chapter 6.4, page 134</a>
AT+CGMR	Request revision identification of software status	<a href="#">Chapter 6.6, page 136</a>
AT+CGSN	Request product serial number identification (IMEI) identical to GSN	<a href="#">Chapter 6.8, page 138</a>
AT+CHLD	Call Hold and Multiparty	<a href="#">Chapter 9.8, page 230</a>
AT+CHUP	Hang up call	<a href="#">Chapter 7.9, page 155</a>
AT+CIMI	Request international mobile subscriber identity	<a href="#">Chapter 6.10, page 140</a>
AT+CIND	Indicator control	<a href="#">Chapter 3.2, page 64</a>
AT+CLCC	List current calls of ME	<a href="#">Chapter 7.22, page 171</a>
AT+CLCK	Facility lock	<a href="#">Chapter 5.4, page 119</a>
AT+CLIP	Calling line identification presentation	<a href="#">Chapter 9.9, page 233</a>
AT+CLIR	Calling line identification restriction	<a href="#">Chapter 9.10, page 235</a>

AT Command	Description	Chapter and Page
<a href="#">AT+CLVL</a>	Loudspeaker volume level	<a href="#">Chapter 15.4, page 367</a>
<a href="#">AT+CMEE</a>	Report mobile equipment error	<a href="#">Chapter 2.12, page 46</a>
<a href="#">AT+CMER</a>	Mobile Equipment Event Reporting	<a href="#">Chapter 3.1, page 61</a>
<a href="#">AT+CMGC</a>	Send an SMS command	<a href="#">Chapter 11.2, page 279</a>
<a href="#">AT+CMGD</a>	Delete SMS message	<a href="#">Chapter 11.3, page 280</a>
<a href="#">AT+CMGF</a>	Select SMS message format	<a href="#">Chapter 11.4, page 281</a>
<a href="#">AT+CMGL</a>	List SMS messages from preferred store	<a href="#">Chapter 11.5, page 282</a>
<a href="#">AT+CMGR</a>	Read SMS messages	<a href="#">Chapter 11.6, page 284</a>
<a href="#">AT+CMGS</a>	Send SMS message	<a href="#">Chapter 11.7, page 286</a>
<a href="#">AT+CMGW</a>	Write SMS messages to memory	<a href="#">Chapter 11.8, page 288</a>
<a href="#">AT+CMSS</a>	Send SMS messages from storage	<a href="#">Chapter 11.9, page 290</a>
<a href="#">AT+CMUT</a>	Mute control	<a href="#">Chapter 15.5, page 369</a>
<a href="#">AT+CMUX</a>	Enter multiplex mode	<a href="#">Chapter 4.11, page 103</a>
<a href="#">AT+CNMA</a>	New SMS message acknowledge to ME/TE, only phase 2+	<a href="#">Chapter 11.10, page 291</a>
<a href="#">AT+CNMI</a>	New SMS message indications	<a href="#">Chapter 11.11, page 293</a>
<a href="#">AT+COPN</a>	Read operator names	<a href="#">Chapter 8.1, page 184</a>
<a href="#">AT+COPS</a>	Operator selection	<a href="#">Chapter 8.2, page 185</a>
<a href="#">AT+CPAS</a>	Mobile equipment activity status	<a href="#">Chapter 3.6, page 84</a>
<a href="#">AT+CPBR</a>	Read from Phonebook	<a href="#">Chapter 14.2, page 344</a>
<a href="#">AT+CPBS</a>	Select phonebook memory storage	<a href="#">Chapter 14.3, page 347</a>
<a href="#">AT+CPBW</a>	Write into Phonebook	<a href="#">Chapter 14.4, page 349</a>
<a href="#">AT+CPIN</a>	Enter PIN	<a href="#">Chapter 5.1, page 109</a>
<a href="#">AT+CPIN2</a>	Enter PIN2	<a href="#">Chapter 5.2, page 113</a>
<a href="#">AT+CPMS</a>	Preferred SMS message storage	<a href="#">Chapter 11.12, page 297</a>
<a href="#">AT+CPUC</a>	Price per unit and currency table	<a href="#">Chapter 9.11, page 237</a>
<a href="#">AT+CPWD</a>	Change Password	<a href="#">Chapter 5.6, page 126</a>
<a href="#">AT+CR</a>	Service reporting control	<a href="#">Chapter 7.23, page 174</a>
<a href="#">AT+CRC</a>	Set Cellular Result Codes for incoming call indication	<a href="#">Chapter 7.24, page 176</a>
<a href="#">AT+CREG</a>	Network registration	<a href="#">Chapter 8.3, page 187</a>
<a href="#">AT+CRLP</a>	Select radio link protocol param. for orig. non-transparent data call	<a href="#">Chapter 7.21, page 169</a>
<a href="#">AT+CRSM</a>	Restricted SIM Access	<a href="#">Chapter 12.1, page 326</a>
<a href="#">AT+CSCA</a>	SMS service centre address	<a href="#">Chapter 11.13, page 300</a>
<a href="#">AT+CSCB</a>	Select Cell Broadcast Message Indication	<a href="#">Chapter 11.14, page 301</a>
<a href="#">AT+CSCS</a>	Select TE character set	<a href="#">Chapter 2.13, page 51</a>
<a href="#">AT+CSDH</a>	Show SMS text mode parameters	<a href="#">Chapter 11.15, page 303</a>

AT Command	Description	Chapter and Page
<a href="#">AT+CSMP</a>	Set SMS text mode parameters	<a href="#">Chapter 11.16, page 304</a>
<a href="#">AT+CSMS</a>	Select Message Service	<a href="#">Chapter 11.17, page 306</a>
<a href="#">AT+CSNS</a>	Single Numbering Scheme	<a href="#">Chapter 7.25, page 178</a>
<a href="#">AT+CSQ</a>	Signal quality	<a href="#">Chapter 8.4, page 190</a>
<a href="#">AT+CSSN</a>	Supplementary service notifications	<a href="#">Chapter 9.12, page 239</a>
<a href="#">AT+CUSD</a>	Supplementary service notifications	<a href="#">Chapter 9.13, page 241</a>
<a href="#">AT+CXXCID</a>	Display card ID	<a href="#">Chapter 12.5, page 334</a>
<a href="#">AT+FBADLIN</a>	Bad Line Threshold	<a href="#">Chapter 10.2, page 246</a>
<a href="#">AT+FBADMUL</a>	Error Threshold Multiplier	<a href="#">Chapter 10.3, page 247</a>
<a href="#">AT+FBOR</a>	Query data bit order	<a href="#">Chapter 10.4, page 248</a>
<a href="#">AT+FCIG</a>	Query or set the Local polling id	<a href="#">Chapter 10.5, page 249</a>
<a href="#">AT+FCLASS</a>	Fax: Select, read or test service class	<a href="#">Chapter 10.6, page 250</a>
<a href="#">AT+FCQ</a>	Copy Quality Checking	<a href="#">Chapter 10.7, page 252</a>
<a href="#">AT+FCR</a>	Capability to receive	<a href="#">Chapter 10.8, page 253</a>
<a href="#">AT+FDCC</a>	Query or set capabilities	<a href="#">Chapter 10.9, page 254</a>
<a href="#">AT+FDFFC</a>	Data Compression Format Conversion	<a href="#">Chapter 10.10, page 255</a>
<a href="#">AT+FDIS</a>	Query or set session parameters	<a href="#">Chapter 10.11, page 256</a>
<a href="#">AT+FDR</a>	Begin or continue phase C data reception	<a href="#">Chapter 10.12, page 257</a>
<a href="#">AT+FDT</a>	Data Transmission	<a href="#">Chapter 10.13, page 258</a>
<a href="#">AT+FET</a>	End a page or document	<a href="#">Chapter 10.14, page 259</a>
<a href="#">AT+FK</a>	Kill operation, orderly FAX abort	<a href="#">Chapter 10.15, page 260</a>
<a href="#">AT+FLID</a>	Query or set the Local Id setting capabilities	<a href="#">Chapter 10.16, page 261</a>
<a href="#">AT+FMDL</a>	identify Product Model	<a href="#">Chapter 10.17, page 262</a>
<a href="#">AT+FMFR</a>	Request Manufacturer Identification	<a href="#">Chapter 10.18, page 263</a>
<a href="#">AT+FOPT</a>	Set bit order independently	<a href="#">Chapter 10.19, page 264</a>
<a href="#">AT+FPHCTO</a>	DTE Phase C Response Timeout	<a href="#">Chapter 10.20, page 265</a>
<a href="#">AT+FREV</a>	Identify Product Revision	<a href="#">Chapter 10.21, page 266</a>
<a href="#">AT+FRH</a>	Receive Data Using HDLC Framing	<a href="#">Chapter 10.22, page 267</a>
<a href="#">AT+FRM</a>	Receive Data	<a href="#">Chapter 10.23, page 268</a>
<a href="#">AT+FRS</a>	Receive Silence	<a href="#">Chapter 10.24, page 269</a>
<a href="#">AT+FTH</a>	Transmit Data Using HDLC Framing	<a href="#">Chapter 10.25, page 270</a>
<a href="#">AT+FTM</a>	Transmit Data	<a href="#">Chapter 10.26, page 271</a>
<a href="#">AT+FTS</a>	Stop Transmission and Wait	<a href="#">Chapter 10.27, page 272</a>
<a href="#">AT+FVRFC</a>	Vertical resolution format conversion	<a href="#">Chapter 10.28, page 273</a>
<a href="#">AT+GCAP</a>	Request complete TA capabilities list	<a href="#">Chapter 2.11, page 45</a>
<a href="#">AT+GMI</a>	Request manufacturer identification	<a href="#">Chapter 6.3, page 133</a>
<a href="#">AT+GMM</a>	Request TA model identification	<a href="#">Chapter 6.5, page 135</a>



AT Command	Description	Chapter and Page
<a href="#">AT+GMR</a>	Request TA revision identification of software status	<a href="#">Chapter 6.7, page 137</a>
<a href="#">AT+GSN</a>	Request TA serial number identification(IMEI)	<a href="#">Chapter 6.9, page 139</a>
<a href="#">AT+ICF</a>	Serial Interface Character Framing	<a href="#">Chapter 4.7, page 94</a>
<a href="#">AT+IFC</a>	Set Flow Control separately for data directions	<a href="#">Chapter 4.8, page 96</a>
<a href="#">AT+ILRR</a>	Set TE-TA local rate reporting	<a href="#">Chapter 4.9, page 98</a>
<a href="#">AT+IPR</a>	Set fixed local rate	<a href="#">Chapter 4.10, page 100</a>
<a href="#">AT+VTD</a>	Tone duration	<a href="#">Chapter 15.6, page 370</a>
<a href="#">AT+VTS</a>	DTMF and tone generation	<a href="#">Chapter 15.7, page 371</a>
<a href="#">AT+WS46</a>	Select wireless network	<a href="#">Chapter 3.7, page 85</a>
<a href="#">AT\Q</a>	Flowcontrol	<a href="#">Chapter 4.1, page 86</a>
<a href="#">AT\V</a>	Set CONNECT result code format	<a href="#">Chapter 2.7, page 37</a>
<a href="#">AT^MONI</a>	Monitor idle mode and dedicated mode	<a href="#">Chapter 8.7, page 199</a>
<a href="#">AT^MONP</a>	Monitor neighbour cells	<a href="#">Chapter 8.8, page 203</a>
<a href="#">AT^SACM</a>	Advice of charge and query of ACM and ACMmax	<a href="#">Chapter 9.2, page 214</a>
<a href="#">AT^SAIC</a>	Audio Interface Configuration	<a href="#">Chapter 15.8, page 373</a>
<a href="#">AT^SALS</a>	Alternate Line Service	<a href="#">Chapter 8.9, page 205</a>
<a href="#">AT^SBC</a>	Battery charging / discharging and charge control	<a href="#">Chapter 16.3, page 400</a>
<a href="#">AT^SBV</a>	Battery/Supply Voltage	<a href="#">Chapter 16.4, page 403</a>
<a href="#">AT^SCFG</a>	Extended Configuration Settings	<a href="#">Chapter 2.14, page 53</a>
<a href="#">AT^SCID</a>	Display SIM card identification number	<a href="#">Chapter 12.4, page 333</a>
<a href="#">AT^SCKS</a>	Query SIM and Chip Card Holder Status	<a href="#">Chapter 12.2, page 329</a>
<a href="#">AT^SCML</a>	List Concatenated SMS messages from preferred store	<a href="#">Chapter 11.18, page 308</a>
<a href="#">AT^SCMR</a>	Read concatenated SMS messages	<a href="#">Chapter 11.19, page 310</a>
<a href="#">AT^SCMS</a>	Send concatenated SMS messages	<a href="#">Chapter 11.20, page 312</a>
<a href="#">AT^SCMW</a>	Write concatenated SMS messages to memory	<a href="#">Chapter 11.21, page 313</a>
<a href="#">AT^SCNI</a>	List Call Number Information	<a href="#">Chapter 7.26, page 180</a>
<a href="#">AT^SCTM</a>	Set critical operating temperature presentation mode or query temperature	<a href="#">Chapter 16.5, page 404</a>
<a href="#">AT^SDLD</a>	Delete the 'last number redial' memory	<a href="#">Chapter 14.9, page 363</a>
<a href="#">AT^SHOM</a>	Display Homezone	<a href="#">Chapter 8.10, page 207</a>
<a href="#">AT^SHUP</a>	Hang up call(s) indicating a specific GSM04.08 release cause	<a href="#">Chapter 7.10, page 156</a>
<a href="#">AT^SIND</a>	Extended Indicator Control	<a href="#">Chapter 3.3, page 68</a>
<a href="#">AT^SLCD</a>	Display Last Call Duration	<a href="#">Chapter 7.27, page 182</a>
<a href="#">AT^SLCK</a>	Facility lock	<a href="#">Chapter 5.5, page 125</a>
<a href="#">AT^SLMS</a>	List SMS Memory Storage	<a href="#">Chapter 11.22, page 314</a>
<a href="#">AT^SM20</a>	Set M20 compatibility mode	<a href="#">Chapter 2.15, page 59</a>

AT Command	Description	Chapter and Page
<a href="#">AT^SMGL</a>	List SMS messages from preferred store without setting status to REC READ	<a href="#">Chapter 11.23, page 316</a>
<a href="#">AT^SMGO</a>	Set or query SMS overflow presentation mode or query SMS overflow	<a href="#">Chapter 11.24, page 318</a>
<a href="#">AT^SMGR</a>	Read SMS message without setting status to REC READ	<a href="#">Chapter 11.25, page 320</a>
<a href="#">AT^SMONC</a>	Cell Monitoring	<a href="#">Chapter 8.5, page 192</a>
<a href="#">AT^SMOND</a>	Selective Cell Monitoring	<a href="#">Chapter 8.6, page 194</a>
<a href="#">AT^SMSO</a>	Switch off mobile station	<a href="#">Chapter 2.10, page 44</a>
<a href="#">AT^SNFA</a>	Set or query of microphone attenuation	<a href="#">Chapter 15.9, page 375</a>
<a href="#">AT^SNFD</a>	Set audio parameters to manufacturer default values	<a href="#">Chapter 15.10, page 377</a>
<a href="#">AT^SNFI</a>	Set microphone path parameters	<a href="#">Chapter 15.11, page 378</a>
<a href="#">AT^SNFM</a>	Mute microphone	<a href="#">Chapter 15.12, page 380</a>
<a href="#">AT^SNFO</a>	Set audio output (= loudspeaker path) parameter	<a href="#">Chapter 15.13, page 382</a>
<a href="#">AT^SNFPT</a>	Set progress tones	<a href="#">Chapter 15.14, page 384</a>
<a href="#">AT^SNFS</a>	Select audio hardware set	<a href="#">Chapter 15.15, page 385</a>
<a href="#">AT^SNFV</a>	Set loudspeaker volume	<a href="#">Chapter 15.16, page 389</a>
<a href="#">AT^SNFW</a>	Write audio setting in non-volatile store	<a href="#">Chapter 15.17, page 391</a>
<a href="#">AT^SPBC</a>	Search the first entry in the sorted telephone book	<a href="#">Chapter 14.5, page 352</a>
<a href="#">AT^SPBD</a>	Purge phonebook memory storage	<a href="#">Chapter 14.6, page 354</a>
<a href="#">AT^SPBG</a>	Read current Phonebook entries	<a href="#">Chapter 14.7, page 356</a>
<a href="#">AT^SPBS</a>	Step through the selected phonebook alphabetically	<a href="#">Chapter 14.8, page 359</a>
<a href="#">AT^SPIC</a>	Display PIN counter	<a href="#">Chapter 5.3, page 116</a>
<a href="#">AT^SPLM</a>	Read the PLMN list	<a href="#">Chapter 8.11, page 208</a>
<a href="#">AT^SPLR</a>	Read entry from the preferred operators list	<a href="#">Chapter 8.12, page 209</a>
<a href="#">AT^SPLW</a>	Write an entry to the preferred operators list	<a href="#">Chapter 8.13, page 211</a>
<a href="#">AT^SPWD</a>	Change Password	<a href="#">Chapter 5.7, page 130</a>
<a href="#">AT^SRTC</a>	Ring tone configuration	<a href="#">Chapter 15.18, page 392</a>
<a href="#">AT^SSCONF</a>	SMS Configuration	<a href="#">Chapter 11.26, page 321</a>
<a href="#">AT^SSDA</a>	Set SMS Display Availability	<a href="#">Chapter 11.27, page 323</a>
<a href="#">AT^SSET</a>	Indicate SIM data ready	<a href="#">Chapter 12.3, page 331</a>
<a href="#">AT^SSMSS</a>	Set Short Message Storage Sequence	<a href="#">Chapter 11.28, page 325</a>
<a href="#">AT^SSTA</a>	SAT Interface Activation	<a href="#">Chapter 13.1, page 335</a>
<a href="#">AT^SSTGI</a>	SAT Get Information	<a href="#">Chapter 13.3, page 339</a>
<a href="#">AT^SSTR</a>	SAT Response	<a href="#">Chapter 13.4, page 341</a>
<a href="#">AT^SSYNC</a>	Configure SYNC Pin	<a href="#">Chapter 16.6, page 407</a>
<a href="#">AT^STCD</a>	Display Total Call Duration	<a href="#">Chapter 7.28, page 183</a>
<a href="#">AT^STPB</a>	Transmit Parity Bit (for 7E1 and 7O1 only)	<a href="#">Chapter 4.12, page 107</a>

AT Command	Description	Chapter and Page
<a href="#">ATA</a>	Answer a call	<a href="#">Chapter 7.1, page 141</a>
<a href="#">ATD</a>	Mobile originated call to dial a number	<a href="#">Chapter 7.2, page 143</a>
<a href="#">ATD&lt;mem&gt;&lt;n&gt;</a>	Originate call to phone number in memory	<a href="#">Chapter 7.3, page 146</a>
<a href="#">ATD&lt;n&gt;</a>	Originate call to phone number selected from active memory	<a href="#">Chapter 7.4, page 148</a>
<a href="#">ATD&lt;str&gt;</a>	Originate call to phone number in memory with corresponding field	<a href="#">Chapter 7.5, page 150</a>
<a href="#">ATDI</a>	Mobile originated call to dialable ISDN number <n>	<a href="#">Chapter 7.6, page 152</a>
<a href="#">ATDL</a>	Redial last telephone number used	<a href="#">Chapter 7.7, page 153</a>
<a href="#">ATE</a>	Enable command echo	<a href="#">Chapter 4.6, page 93</a>
<a href="#">ATH</a>	Disconnect existing connection	<a href="#">Chapter 7.8, page 154</a>
<a href="#">ATI</a>	Display product identification information	<a href="#">Chapter 6.1, page 131</a>
<a href="#">ATL</a>	Set monitor speaker loudness	<a href="#">Chapter 15.2, page 365</a>
<a href="#">ATM</a>	Set monitor speaker mode	<a href="#">Chapter 15.3, page 366</a>
<a href="#">ATO</a>	Switch from command mode to data mode	<a href="#">Chapter 7.17, page 164</a>
<a href="#">ATP</a>	Select pulse dialing	<a href="#">Chapter 7.16, page 163</a>
<a href="#">ATQ</a>	Set result code presentation mode	<a href="#">Chapter 2.4, page 33</a>
<a href="#">ATS0</a>	Set number of rings before automatically answering the call	<a href="#">Chapter 7.11, page 158</a>
<a href="#">ATS10</a>	Set disconnect delay after indicating the absence of data carrier	<a href="#">Chapter 7.15, page 162</a>
<a href="#">ATS18</a>	Extended call release report	<a href="#">Chapter 3.5, page 82</a>
<a href="#">ATS3</a>	Write command line termination character	<a href="#">Chapter 17.2, page 411</a>
<a href="#">ATS4</a>	Set response formatting character	<a href="#">Chapter 17.3, page 412</a>
<a href="#">ATS5</a>	Write command line editing character	<a href="#">Chapter 17.4, page 413</a>
<a href="#">ATS6</a>	Set pause before blind dialing	<a href="#">Chapter 7.12, page 159</a>
<a href="#">ATS7</a>	Set number of seconds to wait for connection completion	<a href="#">Chapter 7.13, page 160</a>
<a href="#">ATS8</a>	Set number of seconds to wait for comma dialing modifier	<a href="#">Chapter 7.14, page 161</a>
<a href="#">ATT</a>	Select tone dialing	<a href="#">Chapter 7.19, page 166</a>
<a href="#">ATV</a>	Set result code format mode	<a href="#">Chapter 2.5, page 34</a>
<a href="#">ATX</a>	Set CONNECT result code format and call monitoring	<a href="#">Chapter 2.6, page 36</a>
<a href="#">ATZ</a>	Set all current parameters to user defined profile	<a href="#">Chapter 2.8, page 38</a>