

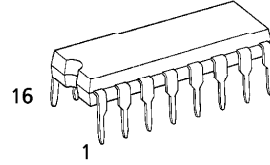
TOSHIBA CMOS DIGITAL INTEGRATED CIRCUIT SILICON MONOLITHIC

TC4044BP, TC4044BF, TC4044BFN

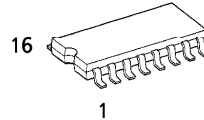
TC4044B QUAD 3-STATE R/S LATCH (Quad NAND R/S Latch)

TC4044B the latches composed by four independent R/S flip-flop circuits. TC4044B fabricated with NAND gates is suitable for data processing of four bits configuration. four output lines can have high impedance regardless of the contents of latches by means of common ENABLE input to make connection to the bus lines easy.

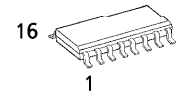
(Note) The JEDEC SOP (FN) is not available in Japan.



P (DIP16-P-300-2.54A)
Weight : 1.00g (Typ.)



F (SOP16-P-300-1.27)
Weight : 0.18g (Typ.)

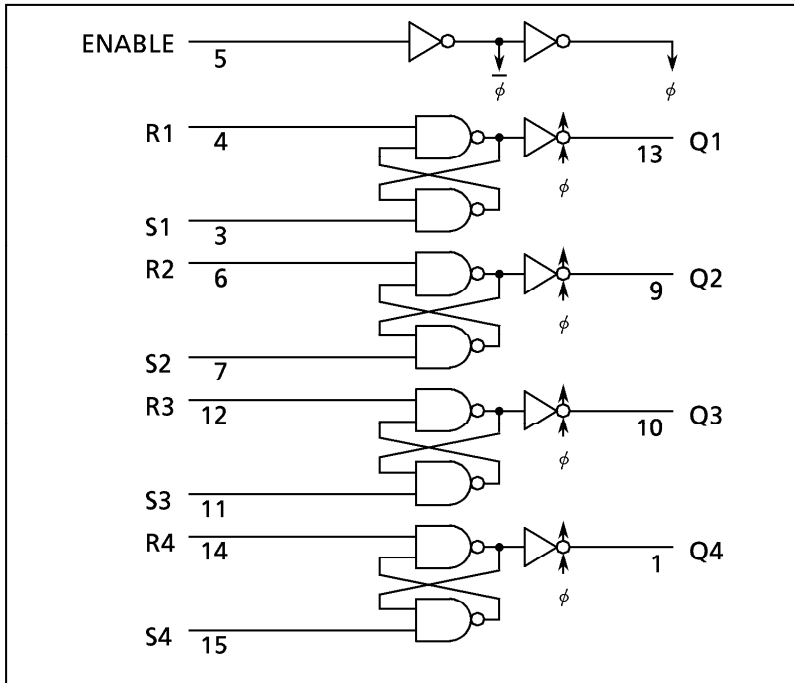


FN (SO16-P-150-1.27)
Weight : 0.13g (Typ.)

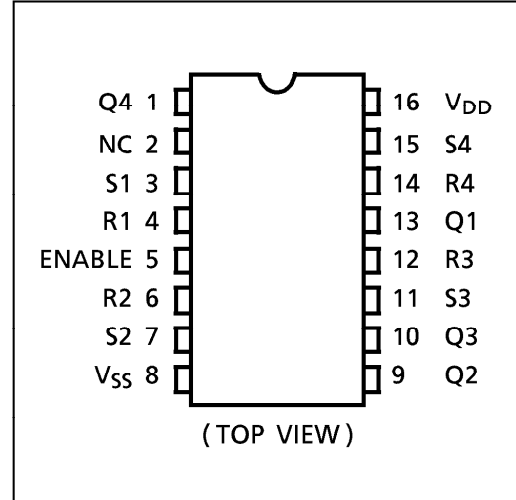
MAXIMUM RATINGS

CHARACTERISTIC	SYMBOL	RATING	UNIT
DC Supply Voltage	V_{DD}	$V_{SS} - 0.5 \sim V_{SS} + 20$	V
Input Voltage	V_{IN}	$V_{SS} - 0.5 \sim V_{DD} + 0.5$	V
Output Voltage	V_{OUT}	$V_{SS} - 0.5 \sim V_{DD} + 0.5$	V
DC Input Current	I_{IN}	± 10	mA
Power Dissipation	P_D	300 (DIP) / 180 (SOIC)	mW
Operating Temperature Range	T_{opr}	$-40 \sim 85$	$^{\circ}C$
Storage Temperature Range	T_{stg}	$-65 \sim 150$	$^{\circ}C$

LOGIC DIAGRAM



PIN ASSIGNMENT



TRUTH TABLE

R	S	E	Q
*	*	L	HZ
L	L	H	L
L	H	H	L
H	L	H	H
H	H	H	No Change

* : Don't Care
HZ : High Impedance

961001EBA2

● TOSHIBA is continually working to improve the quality and the reliability of its products. Nevertheless, semiconductor devices in general can malfunction or fail due to their inherent electrical sensitivity and vulnerability to physical stress. It is the responsibility of the buyer, when utilizing TOSHIBA products, to observe standards of safety, and to avoid situations in which a malfunction or failure of a TOSHIBA product could cause loss of human life, bodily injury or damage to property. In developing your designs, please ensure that TOSHIBA products are used within specified operating ranges as set forth in the most recent products specifications. Also, please keep in mind the precautions and conditions set forth in the TOSHIBA Semiconductor Reliability Handbook.

RECOMMENDED OPERATING CONDITIONS (V_{SS} = 0V)

CHARACTERISTIC	SYMBOL	TEST CONDITION	MIN.	TYP.	MAX.	UNIT
DC Supply Voltage	V _{DD}		3	—	18	V
Input Voltage	V _{IN}		0	—	V _{DD}	V

STATIC ELECTRICAL CHARACTERISTICS (V_{SS} = 0V)

CHARACTERISTIC	SYM-BOL	TEST CONDITION	V _{DD} (V)	- 40°C		25°C			85°C		UNIT	
				MIN.	MAX.	MIN.	TYP.	MAX.	MIN.	MAX.		
High-Level Output Voltage	V _{OH}	I _{OUT} < 1μA V _{IN} = V _{SS} , V _{DD}	5	4.95	—	4.95	5.00	—	4.95	—	V	
			10	9.95	—	9.95	10.00	—	9.95	—		
			15	14.95	—	14.95	15.00	—	14.95	—		
Low-Level Output Voltage	V _{OL}	I _{OUT} < 1μA V _{IN} = V _{SS} , V _{DD}	5	—	0.05	—	0.00	0.05	—	0.05	V	
			10	—	0.05	—	0.00	0.05	—	0.05		
			15	—	0.05	—	0.00	0.05	—	0.05		
Output High Current	I _{OH}	V _{OH} = 4.6V V _{OH} = 2.5V V _{OH} = 9.5V V _{OH} = 13.5V V _{IN} = V _{SS} , V _{DD}	5	-0.61	—	-0.51	-1.0	—	-0.42	—	mA	
			5	-2.50	—	-2.10	-4.0	—	-1.70	—		
			10	-1.50	—	-1.30	-2.2	—	-1.10	—		
			15	-4.00	—	-3.40	-9.0	—	-2.80	—		
			15	-4.00	—	-3.40	-9.0	—	-2.80	—		
Output Low Current	I _{OL}	V _{OL} = 0.4V V _{OL} = 0.5V V _{OL} = 1.5V V _{IN} = V _{SS} , V _{DD}	5	0.61	—	0.51	1.2	—	0.42	—	mA	
			10	1.50	—	1.3	3.2	—	1.10	—		
			15	4.00	—	3.4	12.0	—	2.80	—		
			15	4.00	—	3.4	12.0	—	2.80	—		
Input High Voltage	V _{IH}	V _{OUT} = 0.5V, 4.5V V _{OUT} = 1.0V, 9.0V V _{OUT} = 1.5V, 13.5V I _{OUT} < 1μA	5	3.5	—	3.5	2.75	—	3.5	—	V	
			10	7.0	—	7.0	5.50	—	7.0	—		
			15	11.0	—	11.0	8.25	—	11.0	—		
			15	11.0	—	11.0	8.25	—	11.0	—		
Input Low Voltage	V _{IL}	V _{OUT} = 0.5V, 4.5V V _{OUT} = 1.0V, 9.0V V _{OUT} = 1.5V, 13.5V I _{OUT} < 1μA	5	—	1.5	—	2.25	1.5	—	1.5	V	
			10	—	3.0	—	4.50	3.0	—	3.0		
			15	—	4.0	—	6.75	4.0	—	4.0		
			15	—	4.0	—	6.75	4.0	—	4.0		
Input Current	"H" Level	I _{IH}	V _{IH} = 18V	18	—	0.1	—	10 ⁻⁵	0.1	—	1.0	μA
	"L" Level	I _{IL}	V _{IL} = 0V	18	—	-0.1	—	-10 ⁻⁵	-0.1	—	-1.0	
3-State Output Leakage Current	"H" Level	I _{DH}	V _{OH} = 18V	18	—	0.4	—	10 ⁻⁴	0.4	—	12	
	"L" Level	I _{DL}	V _{OL} = 0V	18	—	-0.4	—	-10 ⁻⁴	-0.4	—	-12	
Quiescent Supply Current	I _{DD}	V _{IN} = V _{SS} , V _{DD} *	5	—	1	—	0.002	1	—	—	30	
			10	—	2	—	0.004	2	—	—	60	
			15	—	4	—	0.008	4	—	—	120	

* All valid input combinations.

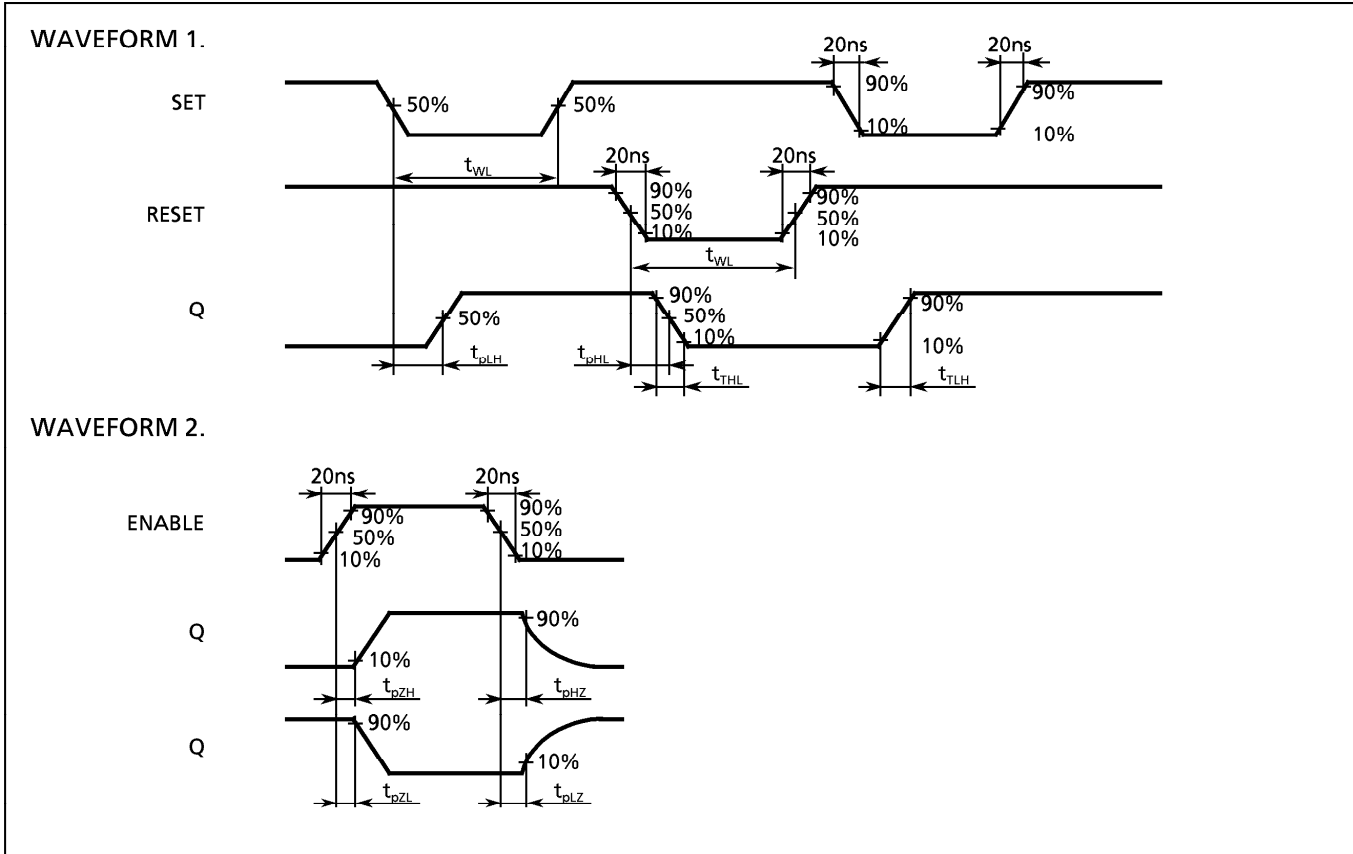
961001EBA2'

- The products described in this document are subject to foreign exchange and foreign trade control laws.
- The information contained herein is presented only as a guide for the applications of our products. No responsibility is assumed by TOSHIBA CORPORATION for any infringements of intellectual property or other rights of the third parties which may result from its use. No license is granted by implication or otherwise under any intellectual property or other rights of TOSHIBA CORPORATION or others.
- The information contained herein is subject to change without notice.

DYNAMIC ELECTRICAL CHARACTERISTICS (Ta = 25°C, Vss = 0V, CL = 50pF)

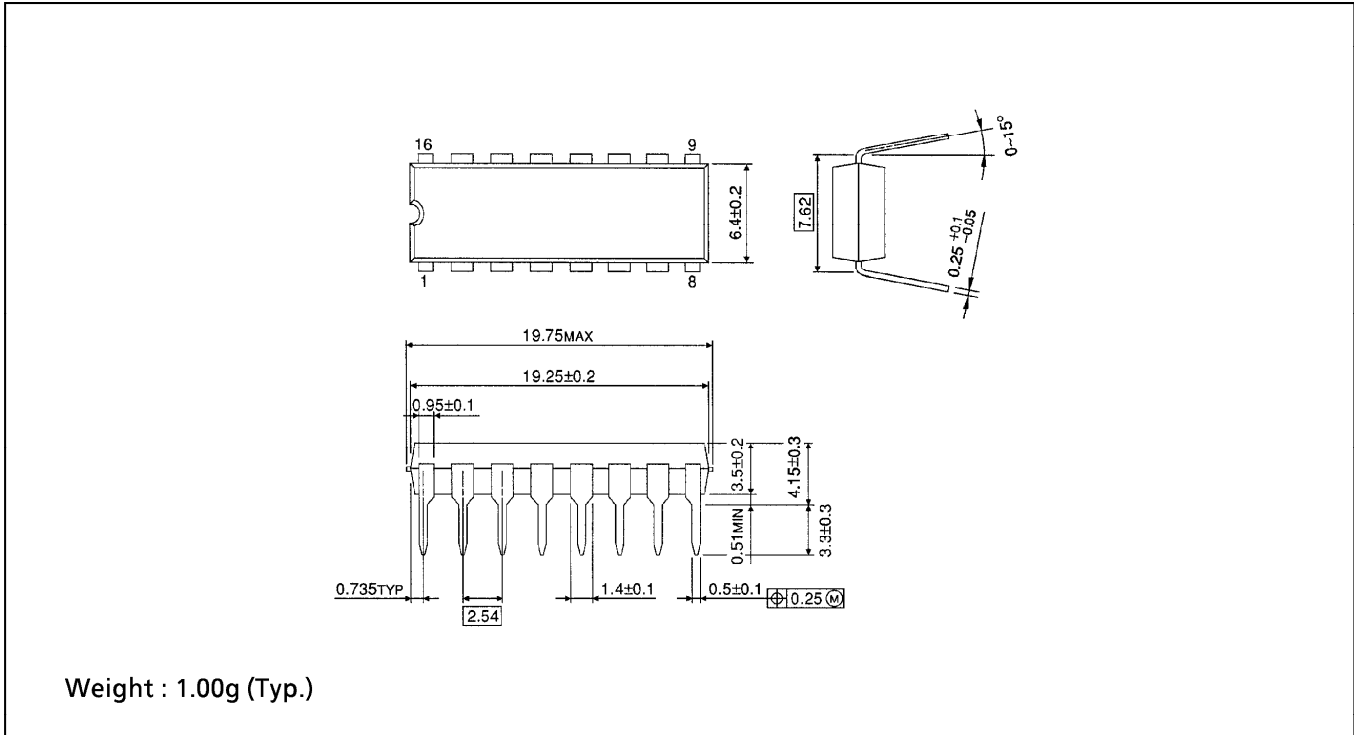
CHARACTERISTIC	SYMBOL	TEST CONDITION	V _{DD} (V)	MIN.	TYP.	MAX.	UNIT
Output Transition Time (Low to High)	t _{TLH}		5	—	70	200	ns
			10	—	35	100	
			15	—	30	80	
Output Transition Time (High to Low)	t _{THL}		5	—	70	200	
			10	—	35	100	
			15	—	30	80	
Propagation Delay Time (SET, RESET - Q)	t _{pLH} t _{pHL}		5	—	90	300	
			10	—	45	140	
			15	—	35	100	
3-State Propagation Delay Time (ENABLE - Q)	t _{pHZ} t _{pZH}	R _L = 1kΩ	5	—	55	180	
			10	—	35	100	
			15	—	30	70	
3-State Propagation Delay Time (ENABLE - Q)	t _{pZH} t _{pZL}	R _L = 1kΩ	5	—	55	180	
			10	—	30	100	
			15	—	25	70	
Min. Pulse Width (SET, RESET)	t _{WL}		5	—	25	160	
			10	—	20	80	
			15	—	20	40	
Input Capacitance	C _{IN}			—	5	7.5	pF

WAVEFORMS FOR MEASUREMENT OF DYNAMIC CHARACTERISTICS



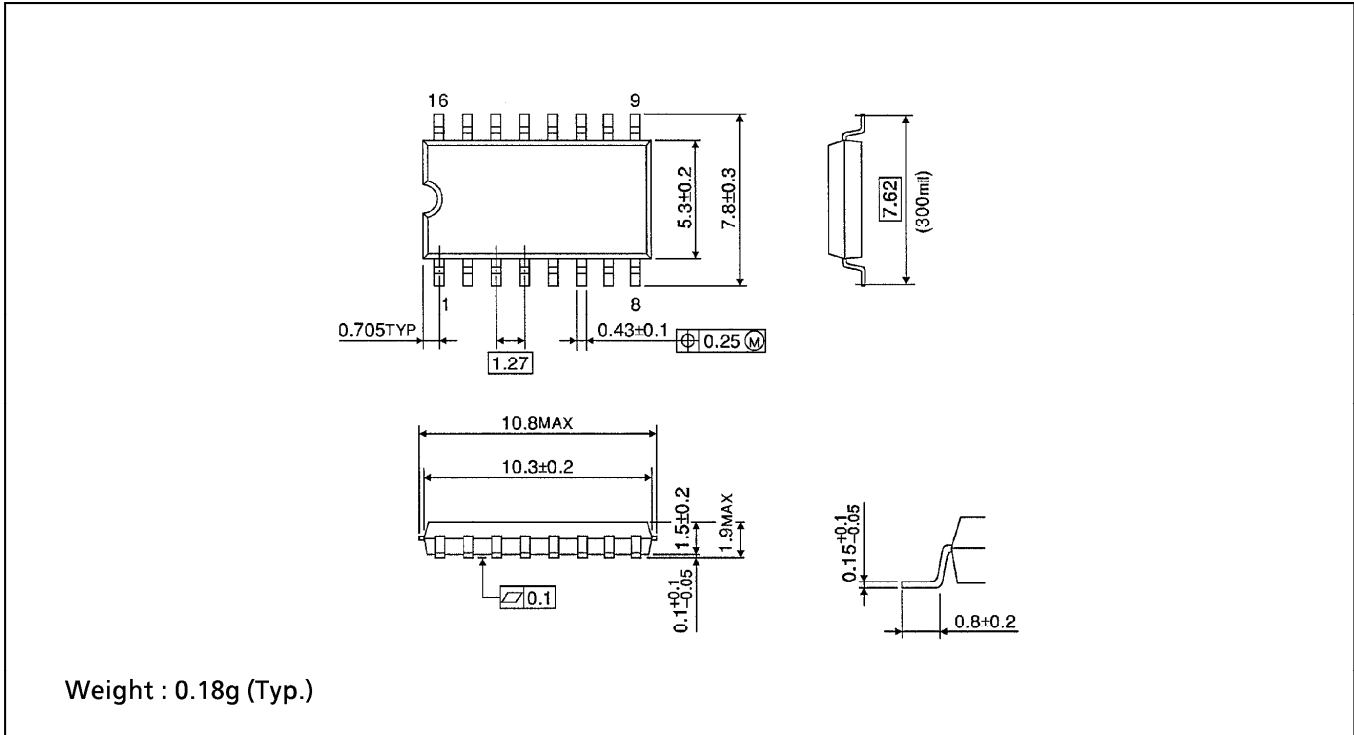
DIP 16PIN OUTLINE DRAWING (DIP16-P-300-2.54A)

Unit in mm



SOP 16PIN (200mil BODY) OUTLINE DRAWING (SOP16-P-300-1.27)

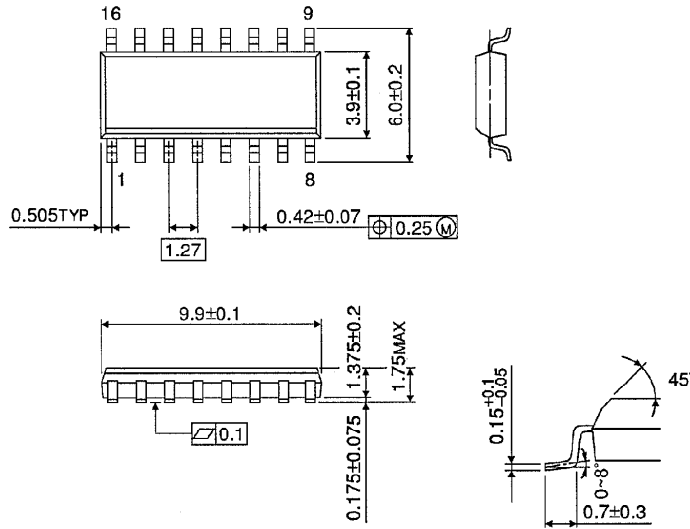
Unit in mm



SOP 16PIN (150mil BODY) OUTLINE DRAWING (SOL16-P-150-1.27)

Unit in mm

(Note) This package is not available in Japan.



Weight : 0.13g (Typ.)