

TOSHIBA MOS DIGITAL INTEGRATED CIRCUIT SILICON GATE CMOS

4,194,304-WORD BY 1-BIT/1,048,576-WORD BY 4-BIT CMOS STATIC RAM

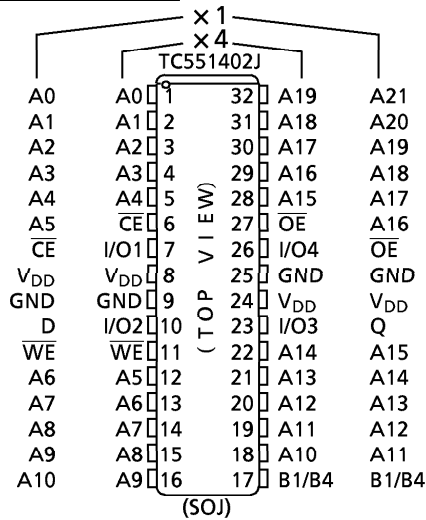
DESCRIPTION

The TC551402J is a 4,194,304-bit high speed static random access memory (SRAM), it is possible to change the organization between 4,194,304 words by 1 bit and 1,048,576 words by 4 bits. Fabricated using CMOS technology and advanced circuit techniques to provide high speed, it operates from a single 5 V power supply. Chip enable (\overline{CE}) can be used to place the device in a low-power mode, and output enable (\overline{OE}) provides fast memory access. This device is well suited to cache memory applications where high-speed access and high-speed storage are required. All inputs and outputs are isolated and directly TTL compatible. The TC551402J is available in a plastic 32-pin SOJ package (400 mil width) for high density surface assembly.

FEATURES

- Fast access time (the following are maximum values)
 - TC551402J-22 : 22 ns
 - TC551402J-25 : 25 ns
- Low-power dissipation (the following are maximum values)
 - Operating: 180 mA (22 ns type)
 - Operating: 160 mA (25 ns type)
 - Standby : 10 mA (all devices)
- Single power supply voltage:
 - TC551402J-22 : $5V \pm 5\%$
 - TC551402J-25 : $5V \pm 10\%$
- Fully static operation
- All inputs and outputs are TTL compatible
- Separate inputs and outputs ($\times 1$ Mode), Common data input and output ($\times 4$ Mode)
- Output buffer control using \overline{OE}
- Package : SOJ32-P-400-1.27A (Weight : 1.22 g typ)

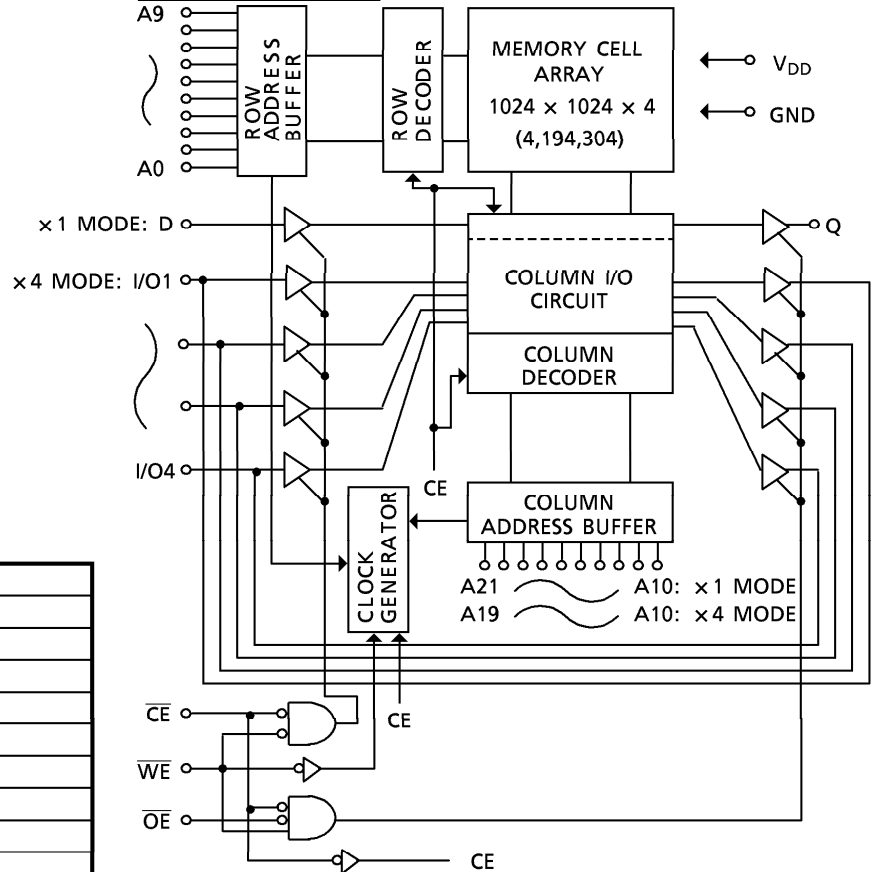
PIN ASSIGNMENT



PIN NAME

A0 to A21	Address Inputs
I/O1 to I/O4	Data Inputs/Outputs
D	Data Input
Q	Data Output
\overline{CE}	Chip Enable Input
\overline{WE}	Write Enable Input
\overline{OE}	Output Enable Input
V_{DD}	Power (+ 5 V)
GND	Ground
B1/B4	Bit Function

BLOCK DIAGRAM



961001EBA1

- TOSHIBA is continually working to improve the quality and the reliability of its products. Nevertheless, semiconductor devices in general can malfunction or fail due to their inherent electrical sensitivity and vulnerability to physical stress. It is the responsibility of the buyer, when utilizing TOSHIBA products, to observe standards of safety, and to avoid situations in which a malfunction or failure of a TOSHIBA product could cause loss of human life, bodily injury or damage to property. In developing your designs, please ensure that TOSHIBA products are used within specified operating ranges as set forth in the most recent products specifications. Also, please keep in mind the precautions and conditions set forth in the TOSHIBA Semiconductor Reliability Handbook.
- The products described in this document are subject to foreign exchange and foreign trade control laws.
- The information contained herein is presented only as a guide for the applications of our products. No responsibility is assumed by TOSHIBA CORPORATION for any infringements of intellectual property or other rights of the third parties which may result from its use. No license is granted by implication or otherwise under any intellectual property or other rights of TOSHIBA CORPORATION or others.
- The information contained herein is subject to change without notice.

MAXIMUM RATINGS

SYMBOL	ITEM	RATING	UNIT
V_{DD}	Power Supply Voltage	- 0.5 to 7.0	V
V_{IN}	Input Terminal Voltage	- 2.0* to 7.0	V
$V_{I/O}$	I/O Terminal Voltage	- 0.5* to $V_{DD} + 0.5$	V
V_{OUT}	Output Terminal Voltage	- 0.5* to $V_{DD} + 0.5$	V
P_D	Power Dissipation	1.0	W
Tsolder	Soldering Temperature (10 s)	260	°C
Tstrg	Storage Temperature	- 65 to 150	°C
Topr	Operating Temperature	- 10 to 85	°C

*: - 3 V with a pulse width of 10 ns

DC RECOMMENDED OPERATING CONDITIONS (Ta = 0° to 70°C)

SYMBOL	PARAMETER	MIN	TYP	TYP	UNIT	
V_{DD}	Power Supply Voltage	-22	4.75	5.0	5.25	V
		-25	4.5	5.0	5.5	
V_{IH}	Input High Voltage	2.2	-	$V_{DD} + 0.5$	V	
V_{IL}	Input Low Voltage	- 0.5 *	-	0.8	V	

*: - 3 V with a pulse width of 10 ns

DC CHARACTERISTICS (Ta = 0° to 70°C, -22 : $V_{DD} = 5V \pm 5%$, -25 : $V_{DD} = 5V \pm 10%$)

SYMBOL	PARAMETER	TEST CONDITION	MIN	TYP	TYP	UNIT	
I_{IL}	Input Leakage Current	$V_{IN} = 0V$ to V_{DD}	-	-	± 10	μA	
I_{OH}	Output High Current	$V_{OH} = 2.4V$	- 4	-	-	mA	
I_{OL}	Output Low Current	$V_{OL} = 0.4V$	8	-	-	mA	
I_{LO}	Output Leakage Current	$\overline{CE} = V_{IH}$ or $\overline{WE} = V_{IL}$ or $\overline{OE} = V_{IH}$, $V_{OUT} = 0V$ to V_{DD}	-	-	± 10	μA	
I_{DDO}	Operating Current	tcycle = Minimum Cycle, $\overline{CE} = V_{IL}$, Iout = 0 mA, Other Inputs = V_{IH} or V_{IL}	-22	-	-	180	mA
			-25	-	-	160	
I_{DDs1}	Standby Current	$\overline{CE} = V_{IH}$ Other Inputs = V_{IH} or V_{IL}	-	-	30	mA	
I_{DDs2}		$\overline{CE} = V_{DD} - 0.2V$ Other Inputs = $V_{DD} - 0.2V$ or $0.2V$	-	-	10		

CAPACITANCE ($T_a = 25^\circ\text{C}$, $f = 1.0\text{ MHz}$)

SYMBOL	PARAMETER	TEST CONDITION	MAX	UNIT
C_{IN}	Input Capacitance	$V_{IN} = \text{GND}$	8	pF
$C_{I/O}, C_{OUT}$	D_{OUT} Capacitance	$V_{OUT} = \text{GND}$	8	pF

Note: This parameter is periodically sampled and is not 100% tested.

TRUTH TABLE

MODE		B1/B4	\overline{CE}	\overline{OE}	\overline{WE}	I/O	POWER
x 1 MODE	Read	H	L	L	H	Dout	I_{DDO}
	Write	H	L	x	L	Din	I_{DDO}
	Output Disabled	H	L	H	H	High - Z	I_{DDO}
	Standby	H	H	x	x	High - Z	I_{DDS}
x 4 MODE	Read	L	L	L	H	Dout	I_{DDO}
	Write	L	L	x	L	Din	I_{DDO}
	Output Disabled	L	L	H	H	High - Z	I_{DDO}
	Standby	L	H	x	x	High - Z	I_{DDS}

x: "H" or "L"

TC551402J is possible to change the organization of bit mode between 4M words by one bit and 1M words by four bits with input level of pin condition B1/B4.

"4M x 1 Mode" is performed on when pin B1/B4 is held on " V_{IH} level". On the other hand "1M x 4 Mode" is requires B1/B4 be connected to " V_{IL} level".

Input level of B1/B4 condition must be set at the same time of power on. Any of change of input level B1/B4, high or low, is prohibited after power on.

AC CHARACTERISTICS ($T_a = 0^\circ$ to 70°C (Note 4), -22 : $V_{DD} = 5V \pm 5\%$, -25 : $V_{DD} = 5V \pm 10\%$)

READ CYCLE

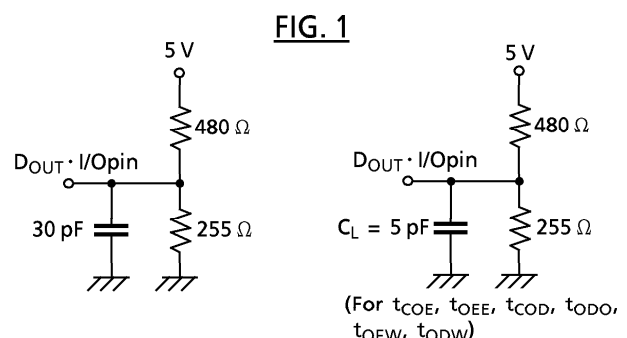
SYMBOL	PARAMETER	TC551402J-22		TC551402J-25		UNIT
		MIN	MAX	MIN	MAX	
t_{RC}	Read Cycle Time	22	–	25	–	ns
t_{ACC}	Address Access Time	–	22	–	25	
t_{CO}	Chip Enable Access Time	–	22	–	25	
t_{OE}	Output Enable Access Time	–	12	–	12	
t_{COE}	Output Enable Time from Chip Enable	5	–	5	–	
t_{COD}	Output Disable Time from Chip Enable	–	10	–	10	
t_{OEE}	Output Enable Time from Output Enable	1	–	1	–	
t_{ODO}	Output Disable Time from Output Enable	–	10	–	10	
t_{OH}	Output Data Hold Time from Address Change	5	–	5	–	
t_{PU}	Chip Selection to Power Up Time	0	–	0	–	
t_{PD}	Chip Deselection to Power Down Time	–	22	–	25	

WRITE CYCLE

SYMBOL	PARAMETER	TC551402J-22		TC551402J-25		UNIT
		MIN	MAX	MIN	MAX	
t_{WC}	Write Cycle Time	22	–	25	–	ns
t_{WP}	Write Pulse Width	13	–	13	–	
t_{AW}	Address Valid to End of Write	20	–	20	–	
t_{CW}	Chip Enable to End of Write	20	–	20	–	
t_{AS}	Address Setup Time	0	–	0	–	
t_{WR}	Write Recovery Time	0	–	0	–	
t_{OEW}	Output Enable Time from Write Enable	1	–	1	–	
t_{ODW}	Output Disable Time from Write Enable	–	10	–	10	
t_{DS}	Data Setup Time	12	–	12	–	
t_{DH}	Data Hold Time	0	–	0	–	

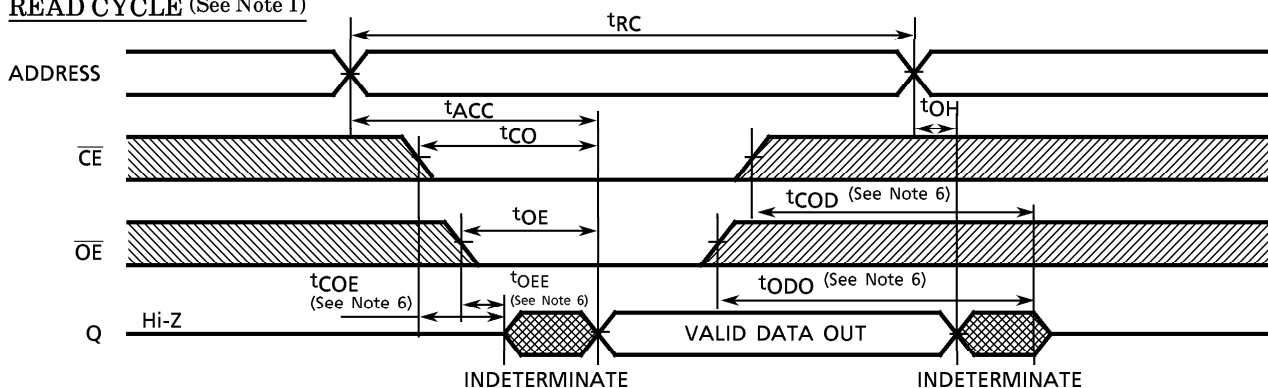
AC TEST CONDITION

Input Pulse Levels	3.0 V, 0.0 V
Input Pulse Rise and Fall Time	3 ns
Input Timing Measurement Reference Levels	1.5 V
Output Timing Measurement Reference Levels	1.5 V
Output Load	Fig. 1

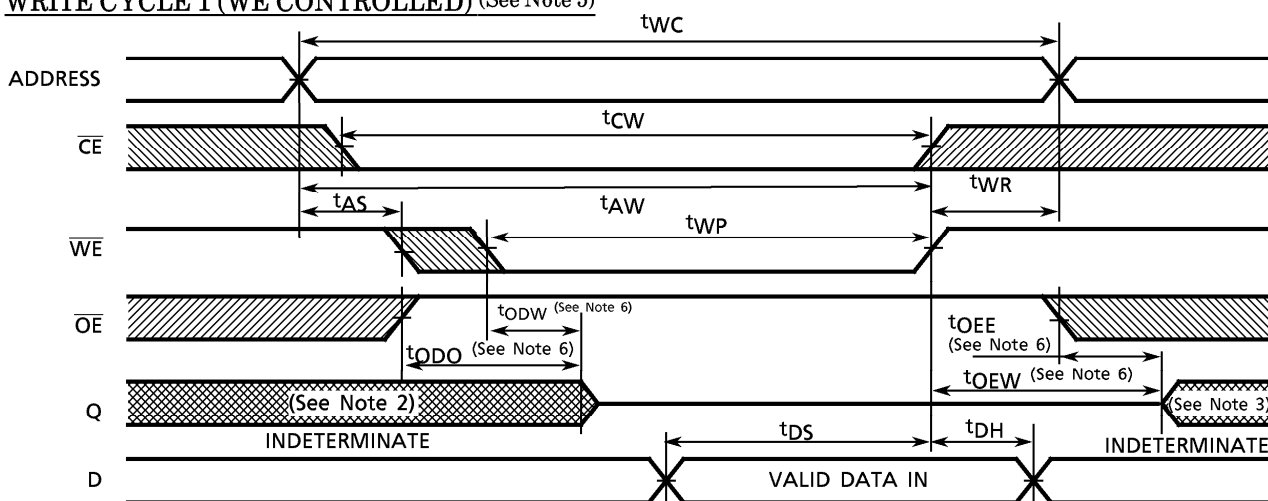


TIMING DIAGRAMS

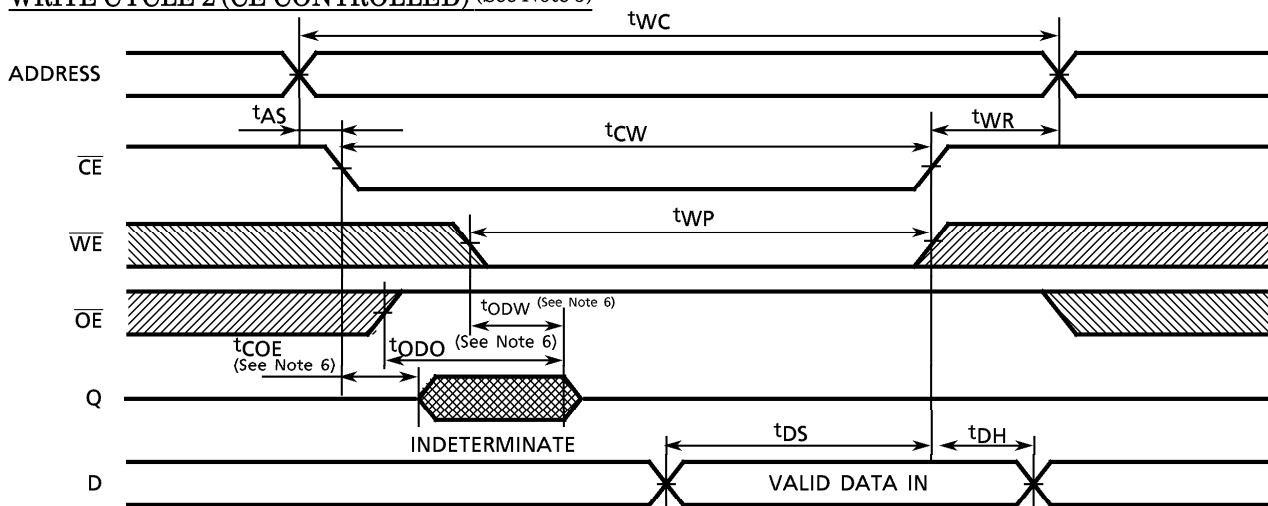
READ CYCLE (See Note 1)



WRITE CYCLE 1 (\overline{WE} CONTROLLED) (See Note 5)



WRITE CYCLE 2 (\overline{CE} CONTROLLED) (See Note 5)



Note: (1) Operating temperature (Ta) is guaranteed for transverse air flow exceeding 400 linear feet per minute.

(2) \overline{WE} remains HIGH for Read Cycle.

(3) If \overline{CE} goes LOW coincident with or after \overline{WE} goes LOW, the outputs will remain at high impedance.

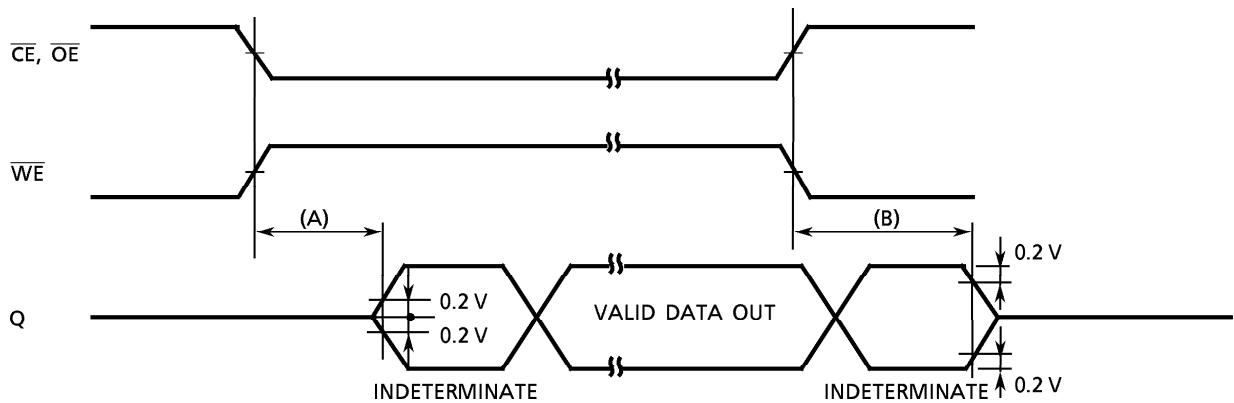
(4) If \overline{CE} goes HIGH coincident with or before \overline{WE} goes HIGH, the outputs will remain at high impedance.

(5) If \overline{OE} is HIGH during the write cycle, the outputs will remain at high impedance.

(6) The parameters specified below are measured using the load shown in Fig. 1.

(A) $t_{COE}, t_{OEE}, t_{OEw}$ Output Enable Time

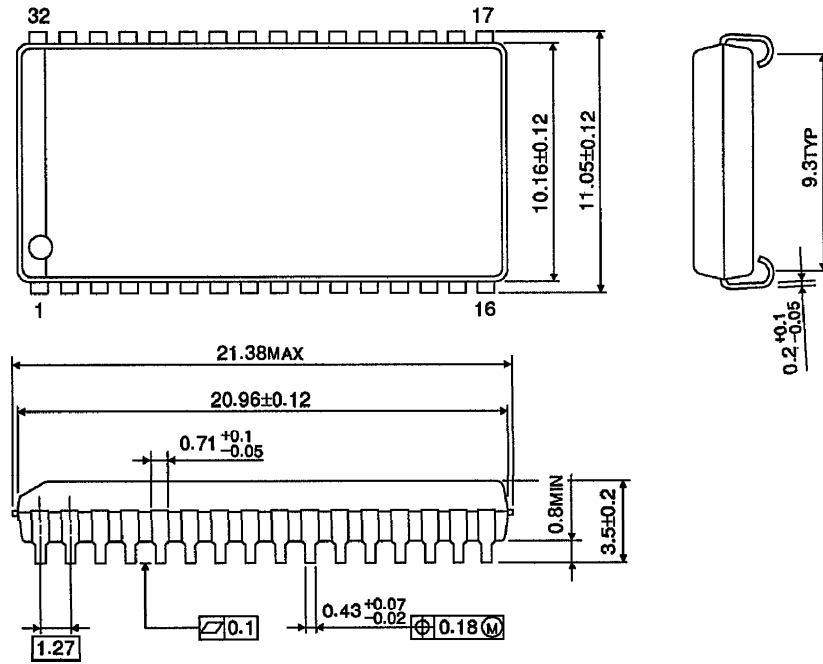
(B) $t_{COD}, t_{ODO}, t_{ODW}$ Output Disable Time



PACKAGE DIMENSIONS

Plastic SOJ (SOJ32-P-400-1.27A)

Units in mm



Weight: 1.22 g (typ)