

TOSHIBA MOS MEMORY PRODUCT

2,048 WORD × 8 BIT CMOS STATIC RAM

TC5517CP-15/CPL-15/CP-20/CPL-20
TC5517CF-15/CFL-15/CF-20/CFL-20

DESCRIPTION

The TC5517CP/CF is a 16384-bit high speed and low power fully static random access memory organized as 2048 words by 8 bits using CMOS technology, and operates from a single 5 volt supply. The TC5517CP/CF has a output enable inputs, \overline{OE} for fast memory access and output control and chip enable input \overline{CE} , which is used for device selection and can be used in order to achieve minimum standby current mode easily for battery back up. Also the high speed and low power characteristics which maximum access time is 150ns, 200ns and maximum operating current is 5mA/MHz are

achieved. Thus the TC5517CP/CF is most suitable for use in low power applications where battery operation or battery back up for nonvolatility are required. Furthermore the TC5517CPL/CFL guaranteed a standby current equal to or less than $1\mu A$ at $60^\circ C$ ambient temperature available. And the TC5517CP/CPL is pin compatible with 2716 type EPROM. This means that the TC5517CP/CPL and EPROM can be interchanged in the same socket, and the flexibility in the definition of the quantity of RAM versus EPROM allows the wide application in microcomputer system.

FEATURES

- Low Power Dissipation
5mA/MHz (Max.)
0.2 μA (MAX.) at $T_a = 25^\circ C$
1.0 μA (MAX.) at $T_a = 60^\circ C$
- 5V Single Power Supply
- Low Voltage Operation : $V_{DD} = 3V$
 $t_{CO} = 1\mu s$ (MAX.) $T_a = 60^\circ C$
- Wide Temperature Operation
 $T_a = -40 \sim 85^\circ C$
- Fully Static Operation
- Data Retention Voltage : 2.0V ~ 5.5V
- Output Buffer Control : \overline{OE}

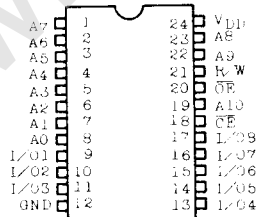
Operating
Standby
Standby

● Access Time

	TC5517CP-15/CPL-15	TC5517CP-20/CPL-20
	TC5517CF-15/CFL-15	TC5517CF-20/CFL-20
Address Access Time (MAX.)	150ns	200ns
\overline{CE} Access Time (MAX.)	150ns	200ns
\overline{OE} Access Time (MAX.)	70ns	100ns

- Directly TTL Compatible : All Inputs and Outputs
- 24 Pin Standard Plastic Package : TC5517CP
- 24 Pin Flat Package : TC5517CF

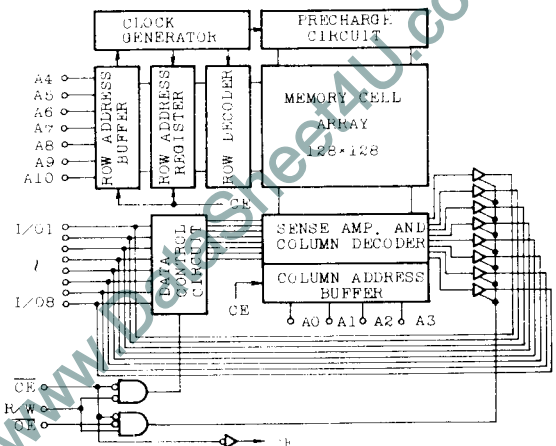
PIN CONNECTION (TOP VIEW)



PIN NAMES

$A_0 \sim A_{10}$	Address Inputs
R/W	Read/Write Control Input
\overline{OE}	Output Enable Input
\overline{CE}	Chip Enable Input
$I/O_1 \sim I/O_8$	Data Input/Output
V_{DD}	Power (+5V)
GND	Ground

BLOCK DIAGRAM



TC5517CP-15/CPL-15/CP-20/CPL-20 TC5517CF-15/CFL-15/CF-20/CFL-20

OPERATION MODE

MODE	CE	OE	R/W	A ₀ ~A ₁₀	I/O~I/O _s	POWER
Read	L	L	H	Stable	Data Out	I _{DD0}
Write	L	*	H	Stable	Data In	I _{DD0}
Output Deselect	L	H	H	*	High Impedance	I _{DD0}
** Standby	H	*	*	*	High Impedance	I _{DD0}

Note : * : H or L ** : DataRetention Mode

ABSOLUTE MAXIMUM RATINGS

SYMBOL	ITEM	RATING
V _{DD}	Power Supply Voltage	-0.3 ~ 7.0V
V _{IH}	Input Voltage	-0.3V ~ V _{DD} + 0.3V
V _{IO}	Input-Output Voltage	-0.3V ~ V _{DD} + 0.3V
P _D	Power Dissipation(Ta = 85°C)	0.8W(0.45W)*
T _{STG}	Storage Temperature	-55°C ~ 150°C
T _{OPR}	Operating Temperature	-40°C ~ 85°C
T _{SOLDER}	Soldering Temperature-Time	260°C-10sec.

*Plastic FP=0.45W

RECOMMENDED D. C. OPERATING CONDITIONS (Ta = -40~85°C)

SYMBOL	PARAMETER	MIN.	TYP.	MAX.	UNIT
V _{DD}	Power Supply Voltage	4.5	5.0	5.5	V
V _{IH}	Input High Voltage	2.2	—	V _{DD} +0.3	V
V _{IL}	Input Low Voltage	-0.3	—	0.8	V
V _{DH}	Data Retention Voltage	2.0	—	5.5	V

D. C. CHARACTERISTICS

(Ta = -40~85°C, V_{IH} = 5V ± 10%)

SYMBOL	PARAMETER	CONDITIONS	TC5517CP-15		TC5517CP-20		UNIT		
			CF-15	MAX.	CF-20	MAX.			
I _{IL}	Input Leakage Current	0 ≤ V _{IN} ≤ V _{DD}	—	± 1.0	—	± 1.0	μA		
I _{LO}	I/O Leakage Current	CE = V _{IH} , 0V ≤ V _{I/O} ≤ V _{DD}	—	± 5.0	—	± 5.0	μA		
I _{OH}	Output High Current	V _{OH} = 2.4V	-1.0	—	-1.0	—	mA		
I _{OL}	Output Low Current	V _{OL} = 0.4V	2.0	—	2.0	—	mA		
I _{DDS1}	Standby Current	CE2 = 2.2V	—	3.0	—	3.0	mA		
I _{DDS2}		CE ≤ V _{DD} - 0.5V	TC5517CPL/ CFL	Ta = 25°C	—	0.2	—	0.2	μA
				Ta = 60°C	—	1.0	—	1.0	
			TC5517CP/ CF	Ta = 25°C	—	1.0	—	1.0	
				Ta = 60°C	—	5.0	—	5.0	
I _{DD01}	Operating Current	t _{cycle} = Min. cycle, CE = 0V, I _{OUT} = 0mA	V _{IN} = V _{IH} /V _{IL}	—	45	—	30	mA	
			V _{IN} = V _{DD} /GND	—	40	—	25		
		t _{cycle} = 1μs, CE = 0V, I _{OUT} = 0mA	V _{IN} = V _{IH} /V _{IL}	—	10	—	10		
			V _{IN} = V _{DD} /GND	—	5	—	5		

Note : Typical values are at Ta = 25°C, V_{DD} = 5V.

TC5517CP-15/CPL-15/CP-20/CPL-20 TC5517CF-15/CFL-15/CF-20/CFL-20

D. C. CHARACTERISTICS

(Ta = 10 ~ 60°C)

SYMBOL	PARAMETER CONDITIONS	MIN.	TYP.	MAX.	UNIT	
I_{IL}	Input Leakage Current OV $\leq V_{IN} \leq V_{DD}$	—	—	+1.0	μA	
I_{OL}	Output Leakage Current CE = V _{DD} , GV = V _{DD} , $\bar{S} = V_{DD}$	—	—	+5.0	μA	
I_{OH}	Output High Current V _{OH} = V _{DD} - 0.2V	—	100	—	μA	
I_{OL}	Output Low Current V _{OL} = 0.2V	—	100	—	μA	
I_{DDS}	Standby Current CE = V _{DD}	TC5517CPL Ta = 25°C	—	—	0.2	μA
		CFL Ta = 60°C	—	—	1.0	
		TC5517CP Ta = 25°C	—	—	1.0	
		CF Ta = 60°C	—	—	5.0	
I_{DDO}	Operating Current CE = OV, I _{OH} = 0mA t ₁ , t ₂ \leq 20nsec	t ₁ = 1 μ sec	—	2.0	3.0	mA
		t ₂ = 10 μ sec	—	0.3	0.5	
		—	—	—	—	

- All voltage is measured from GND.

A. C. CHARACTERISTICS

(Ta = 10 ~ 60°C, V_{DD} = 3V ± 10%)

Read CYCLE

SYMBOL	PARAMETER	MIN.	TYP.	MAX.	UNIT
t_{RC}	Read Cycle Time	1000	—	—	ns
t_{ACC}	Address Access Time	—	250	1000	ns
t_{OE}	OE to Output Valid	—	80	200	ns
t_{CO}	CE to Output Valid	—	250	1000	ns
t_{COE}	CE or OE Output Active	10	—	—	ns
t_{OD}	Output High-Z Deselection	—	—	200	ns
t_{OH}	Output Hold from Address Change	20	—	—	ns

WRITE CYCLE

SYMBOL	PARAMETER	MIN.	TYP.	MAX.	UNIT
t_{WC}	Write Cycle Time	1000	—	—	ns
t_{WP}	Write Pulse Width	500	—	—	ns
t_{AW}	Address Set up Time	100	—	—	ns
t_{WR}	Write Recovery Time	100	—	—	ns
t_{ODW}	Output High-Z from R/W	—	—	200	ns
t_{OEW}	Output Active from R/W	10	—	—	ns
t_{DS}	Data Set up Time	400	—	—	ns
t_{DH}	Data Hold Time	50	—	—	ns

A. C. TEST CONDITIONS

- Output Load : 100pF (Include Jig)
- Input Pulse Levels : 0.2V, V_{DD} - 0.2V
- Timing Measurement Level Input : 1.5V, 1.5V
- Output : 1.5V, 1.5V
- Input Pulse Rise and Fall Times : \leq 20ns

TC5517CP-15/CPL-15/CP-20/CPL-20

TC5517CF-15/CFL-15/CF-20/CFL-20

Note:

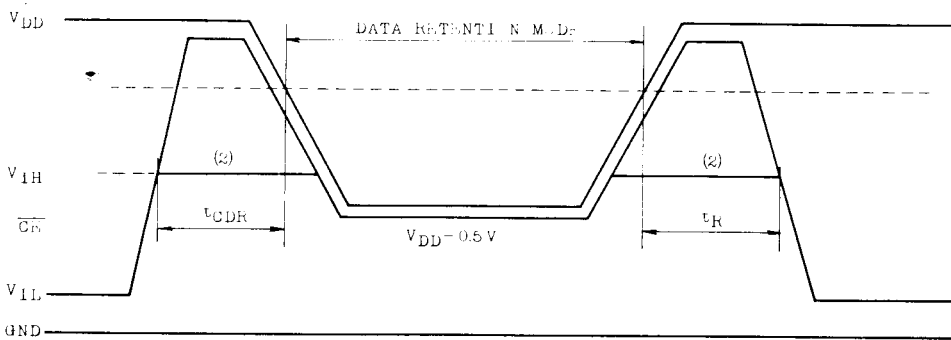
1. R/W is high for a Read Cycle.
2. $\overline{OE} = V_{IH}$ or V_{IL} . If, $\overline{OE} = V_{IH}$ during write cycle, the output buffers remain in a high impedance state.
3. t_{WP} is specified as the logical "AND" of \overline{CE} and R/W.
 t_{WP} is measured from the latter of \overline{CE} or R/W going low to the earlier of \overline{CE} or R/W going high.
4. t_{OH} , t_{OS} are measured from the earlier of \overline{CE} or R/W going high.
5. If the \overline{CE} low transition occurs simultaneously with or latter from the R/W low transition in a Write Cycle 1, the output buffers remain in a high impedance state in this period.
6. If the \overline{CE} high transition occurs prior to or simultaneously with the R/W high transition in a Write Cycle 1, the output buffers remain in a high impedance state in this period.
7. If the R/W is low or the R/W low transition occurs prior to or simultaneously with the \overline{CE} low transition, the output buffers remain in high impedance state in this period.

DATA RETENTION CHARACTERISTICS (Ta = -40 ~ 85 C)

SYMBOL	PARAMETER		MIN.	TYP.	MAX.	UNIT	
V_{DR}	Data Retention Power Supply Voltage		2.0	—	5.5	V	
I_{DD5}	Standby Current	TC5517CPL/CF/L	Ta = 25 C	—	0.005	0.2	μA
			Ta = 60 C	—	—	1.0	
		TC5517CP/CF	Ta = 25 C	—	0.05	1.0	
			Ta = 60 C	—	—	5.0	
			Ta = 85 C	—	—	30	
t_{CDR}	From Chip Deselection to Data Retention Mode		0	—	—	ns	
t_R	Recovery Time		$t_{RC}(1)$	—	—		

Note:

1. t_{RC} : Read Cycle Time



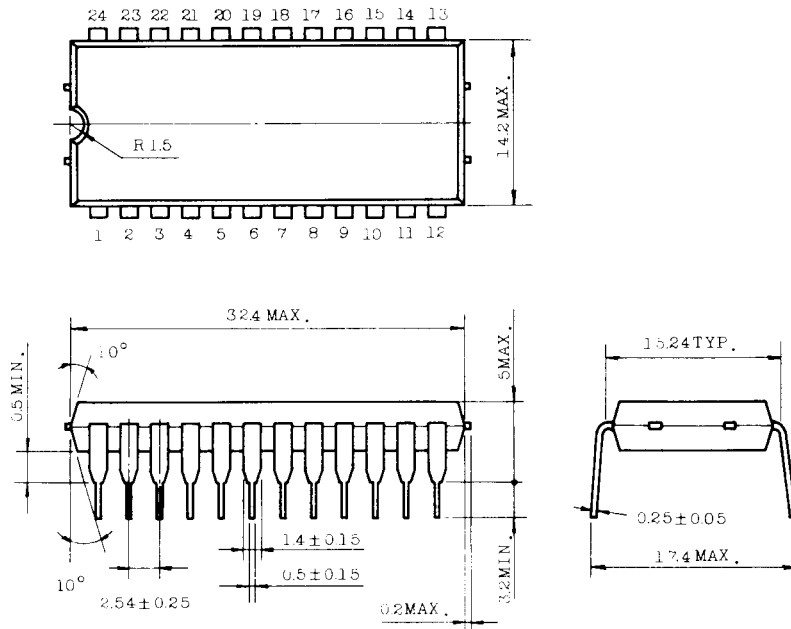
Note:

2. If the V_{IH} level of \overline{CE} is 2.2V, during the period that the V_{DD} voltage is going down from 4.5V to 2.7V I_{DD51} current flows.

TC5517CP-15/CPL-15/CP-20/CPL-20 TC5517CF-15/CFL-15/CF-20/CFL-20

OUTLINE DRAWINGS

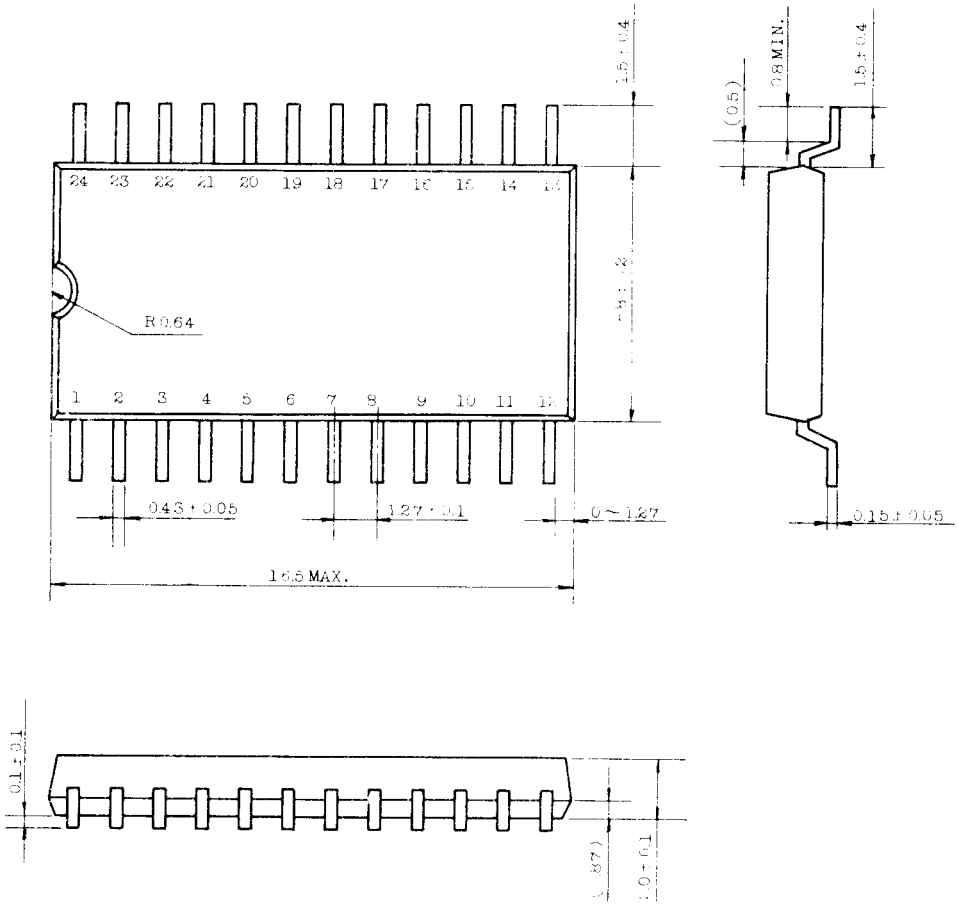
- Plastic DIP



Note : Each lead pitch is 2.54mm. All leads are located within 0.25mm of their longitudinal position with respect to No.1 and No.24 leads.
All dimensions are in millimeters.

TC5517CP-15/CPL-15/CP-20/CPL-20
TC5517CF-15/CFL-15/CF-20/CFL-20

- Plastic FP



Note : Each lead pitch is 1.27mm.
 All leads are located within 0.1mm of their true longitudinal position with respect to No.1 and No.24 leads.

TC5517CP-15/CPL-15/CP-20/CPL-20 TC5517CF-15/CFL-15/CF-20/CFL-20

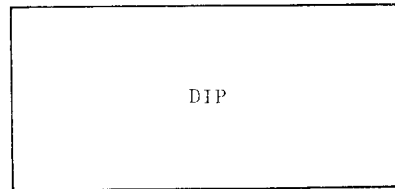
PACKAGE INFORMATION FOR FLAT PACKAGE

This new flat package is a very small and thin compared with conventional standard dual-in-line package. Differences are as follows.

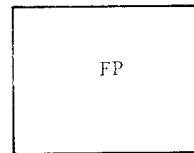
1. Difference in dimension between flat and standard package.

	Flat package	Standard package
		Unit : mm
Length	16.5	32.4
Width	9.0	14.2
Lead Pitch	1.27	2.54
Thickness	2.1	5

2. Comparison in occupied space.



3. Advantage of this package
 Small dimensions
 Capability of High Density Assembly
 Capability of thin Assembly
 Capability of Assembly on both side of PC board.



4. PC pattern layout example.

