

TENTATIVE TOSHIBA MOS DIGITAL INTEGRATED CIRCUIT SILICON GATE CMOS
 4,194,304-WORD BY 1-BIT/1,048,576-WORD BY 4-BIT CMOS STATIC RAM

DESCRIPTION

The TC55V1403J/FT is a 4,194,304-bit high speed static random access memory (SRAM), it is possible to change the organization between 4,194,304 words by 1 bit and 1,048,576 words by 4 bits. Fabricated using CMOS technology and advanced circuit techniques to provide high speed, it operates from a single 3.3 V power supply. Chip enable (CE) can be used to place the device in a low-power mode, and output enable (OE) provides fast memory access. This device is well suited to cache memory applications where high-speed access and high-speed storage are required. All inputs and outputs are directly LVTTTL compatible. The TC55V1403J/FT is available in a plastic 32-pin SOJ and TSOP package (400 mil width) for high density surface assembly.

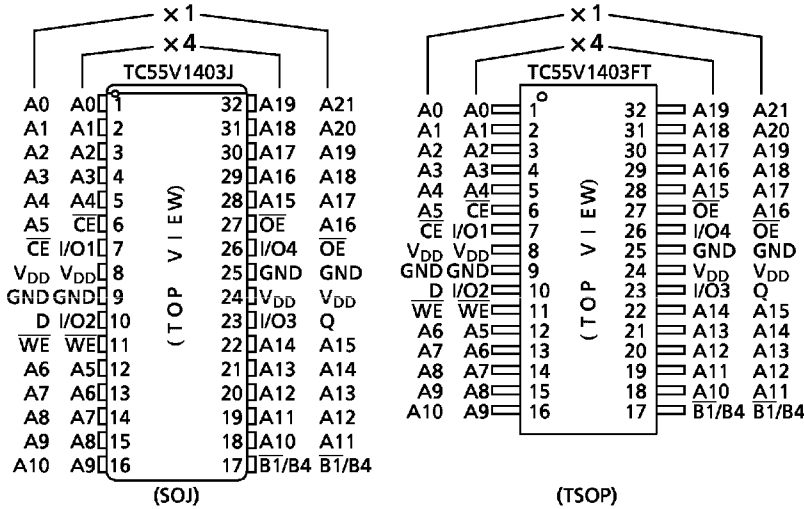
FEATURES

- Fast access time (the following are maximum values)
 - TC55V1403J/FT-12 : 12 ns
 - TC55V1403J/FT-15 : 15 ns
- Low-power dissipation (the following are maximum values)

Cycle Time	12	15	20	25	ns
Operation (max)	170	140	130	110	mA

Standby : 10mA (both devices)
- Single power supply voltage of 3.3V ± 0.3V
- Fully static operation
- All inputs and outputs are LVTTTL compatible
- Separate data input and output (×1 Mode), Common data input and output (×4 Mode)
- Output buffer control using OE
- Package :
 - SOJ32-P-400-1.27A (J) (Weight : 1.22 g typ)
 - TSOP II 32-P-400-1.27 (FT) (Weight : 0.51 g typ)

PIN ASSIGNMENT



PIN NAMES

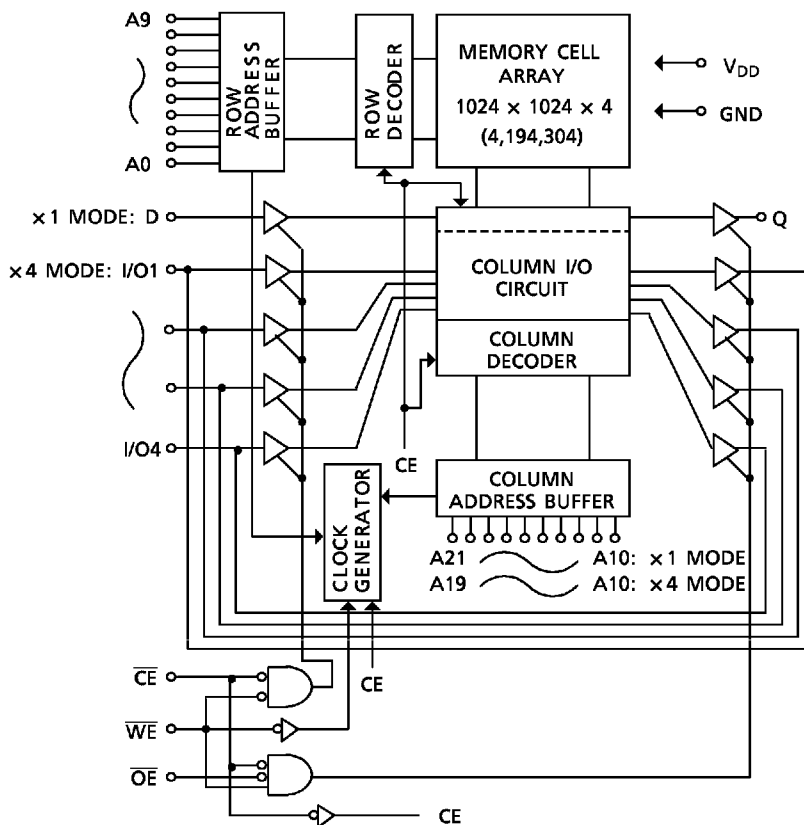
A0 to A21	Address Inputs
I/O1 to I/O4	Data Inputs/Outputs
D	Data Input
Q	Data Output
CE	Chip Enable Input
WE	Write Enable Input
OE	Output Enable Input
VDD	Power (+ 3.3 V)
GND	Ground
B1/B4	Bit Function

Note
 ×1 mode : $\overline{B1/B4} = \text{Low}$
 ×4 mode : $\overline{B1/B4} = \text{High}$

980910EBA1

- TOSHIBA is continually working to improve the quality and the reliability of its products. Nevertheless, semiconductor devices in general can malfunction or fail due to their inherent electrical sensitivity and vulnerability to physical stress. It is the responsibility of the buyer, when utilizing TOSHIBA products, to observe standards of safety, and to avoid situations in which a malfunction or failure of a TOSHIBA product could cause loss of human life, bodily injury or damage to property. In developing your designs, please ensure that TOSHIBA products are used within specified operating ranges as set forth in the most recent products specifications. Also, please keep in mind the precautions and conditions set forth in the TOSHIBA Semiconductor Reliability Handbook.
- The products described in this document are subject to the foreign exchange and foreign trade laws.
- The information contained herein is presented only as a guide for the applications of our products. No responsibility is assumed by TOSHIBA CORPORATION for any infringements of intellectual property or other rights of the third parties which may result from its use. No license is granted by implication or otherwise under any intellectual property or other rights of TOSHIBA CORPORATION or others.
- The information contained herein is subject to change without notice.

BLOCK DIAGRAM



MAXIMUM RATINGS

SYMBOL	RATING	VALUE	UNIT
V _{DD}	Power Supply Voltage	- 0.5 to 4.6	V
V _{IN}	Input Terminal Voltage	- 0.5* to 4.6	V
V _{I/O}	Input/Output Terminal Voltage	- 0.5* to V _{DD} + 0.5**	V
P _D	Power Dissipation	1.0	W
T _{solder}	Soldering Temperature (10 s)	260	°C
T _{strg}	Storage Temperature	- 65 to 150	°C
T _{opr}	Operating Temperature	- 10 to 85	°C

* : -1.5V with a pulse width of 20% · t_{RC} min (4ns max)
 ** : V_{DD}+1.5V with a pulse width of 20% · t_{RC} min (4ns max)

DC RECOMMENDED OPERATING CONDITIONS (Ta = 0° to 70°C)

SYMBOL	PARAMETER	MIN	TYP	MAX	UNIT
V _{DD}	Power Supply Voltage	3.0	3.3	3.6	V
V _{IH}	Input High Voltage	2.0	-	V _{DD} + 0.3**	V
V _{IL}	Input Low Voltage	- 0.3*	-	0.8	V

* : -1.0V with a pulse width of 20% · t_{RC} min (4ns max)
 ** : V_{DD}+1.0V with a pulse width of 20% · t_{RC} min (4ns max)

DC CHARACTERISTICS (Ta = 0° to 70°C, VDD = 3.3V ± 0.3V)

SYMBOL	PARAMETER	TEST CONDITION	MIN	TYP	MAX	UNIT	
I _{IL}	Input Leakage Current (Except B1/B4 pin)	V _{IN} = 0 to V _{DD}	-1	-	1	μA	
I _{LO}	Output Leakage Current	$\overline{CE} = V_{IH}$ or $\overline{WE} = V_{IL}$ or $\overline{OE} = V_{IH}$ V _{OUT} = 0 to V _{DD}	-1	-	1	μA	
I _I (B1/B4)	Input Current (B1/B4 pin)	V _{IN} = 0 to V _{DD}	-1	-	10	μA	
V _{OH}	Output High Voltage	I _{OH} = -2mA	2.4	-	-	V	
		I _{OH} = -100μA	V _{DD} - 0.2	-	-		
V _{OL}	Output Low Voltage	I _{OL} = 2mA	-	-	0.4		
		I _{OL} = 100μA	-	-	0.2		
I _{DDO}	Operating Current	$\overline{CE} = V_{IL}$, I _{out} = 0mA $\overline{OE} = V_{IH}$ Other Inputs = V _{IH} / V _{IL}	tcycle = 12ns	-	-	170	mA
			tcycle = 15ns	-	-	140	
			tcycle = 20ns	-	-	130	
			tcycle = 25ns	-	-	110	
I _{DDS1}	Standby Current	$\overline{CE} = V_{IH}$, Other Inputs = V _{IH} or V _{IL}	-	-	55	mA	
I _{DDS2}		$\overline{CE} = V_{DD} - 0.2V$ Other Inputs = V _{DD} - 0.2V or 0.2V	-	-	10		

CAPACITANCE (Ta = 25°C, f = 1.0 MHz)

SYMBOL	PARAMETER	TEST CONDITION	MAX	UNIT
C _{IN}	Input Capacitance	V _{IN} = GND	6	pF
C _{IO} , C _{OUT}	Input/Output, Output Capacitance	V _{I/O} = GND	8	pF

Note: This parameter is periodically sampled and is not 100% tested.

OPERATING MODE

TC55V1403J/FT is possible to change the organization of bit mode between 4M words by one bit and 1M words by four bits with input level of pin condition B1/B4.

“4M × 1 Mode” is performed on when pin B1/B4 is held on “GND level”. On the other hand “1M × 4 Mode” requires B1/B4 be connected to “V_{DD} level”.

Input level of B1/B4 condition must be set at the same time of power on. Any of change of input level B1/B4, high or low, is prohibited after power on.

MODE		B1/B4	\overline{CE}	\overline{OE}	\overline{WE}	I/O	POWER
× 1 MODE	Read	L	L	L	H	Output	I _{DDO}
	Write	L	L	×	L	Input	I _{DDO}
	Output Disabled	L	L	H	H	High Impedance	I _{DDO}
	Standby	L	H	×	×	High Impedance	I _{DDS}
× 4 MODE	Read	H	L	L	H	Output	I _{DDO}
	Write	H	L	×	L	Input	I _{DDO}
	Output Disabled	H	L	H	H	High Impedance	I _{DDO}
	Standby	H	H	×	×	High Impedance	I _{DDS}

× : Don't care

AC CHARACTERISTICS ($T_a = 0^\circ$ to 70°C (Note 1), $V_{DD} = 3.3\text{V} \pm 0.3\text{V}$)

READ CYCLE

SYMBOL	PARAMETER	TC55V1403J/FT-12		TC55V1403J/FT-15		UNIT
		MIN	MAX	MIN	MAX	
t_{RC}	Read Cycle Time	12	–	15	–	ns
t_{ACC}	Address Access Time	–	12	–	15	
t_{CO}	Chip Enable Access Time	–	12	–	15	
t_{OE}	Output Enable Access Time	–	6	–	8	
t_{OH}	Output Data Hold Time from Address Change	3	–	4	–	
t_{COE}	Output Enable Time from Chip Enable	3	–	4	–	
t_{OEE}	Output Enable Time from Output Enable	1	–	1	–	
t_{COD}	Output Disable Time from Chip Enable	–	7	–	8	
t_{ODO}	Output Disable Time from Output Enable	–	7	–	8	

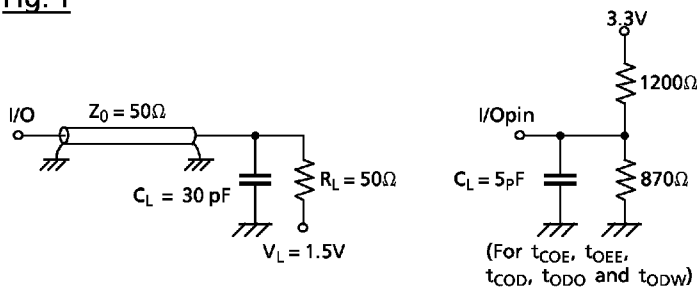
WRITE CYCLE

SYMBOL	PARAMETER	TC55V1403J/FT-12		TC55V1403J/FT-15		UNIT
		MIN	MAX	MIN	MAX	
t_{WC}	Write Cycle Time	12	–	15	–	ns
t_{WP}	Write Pulse Width	8	–	9	–	
t_{CW}	Chip Enable to End of Write	10	–	12	–	
t_{AW}	Address Valid to End of Write	10	–	12	–	
t_{AS}	Address Setup Time	0	–	0	–	
t_{WR}	Write Recovery Time	0	–	0	–	
t_{DS}	Data Setup Time	7	–	8	–	
t_{DH}	Data Hold Time	0	–	0	–	
t_{OEW}	Output Enable Time from Write Enable	1	–	1	–	
t_{ODW}	Output Disable Time from Write Enable	–	7	–	8	

AC TEST CONDITIONS

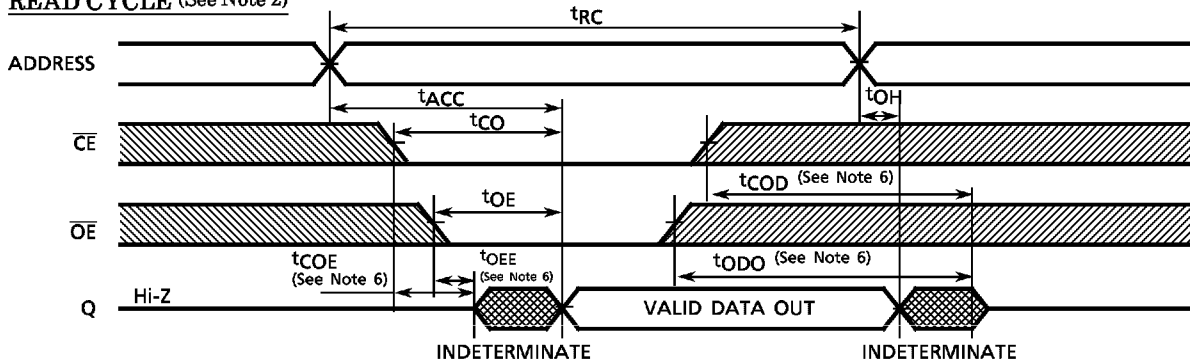
Input Pulse Level	3.0V/0.0V
Input Pulse Rise and Fall Time	2ns
Input Timing Measurement Reference Level	1.5V
Output Timing Measurement Reference Level	1.5V
Output Load	Fig. 1

Fig. 1

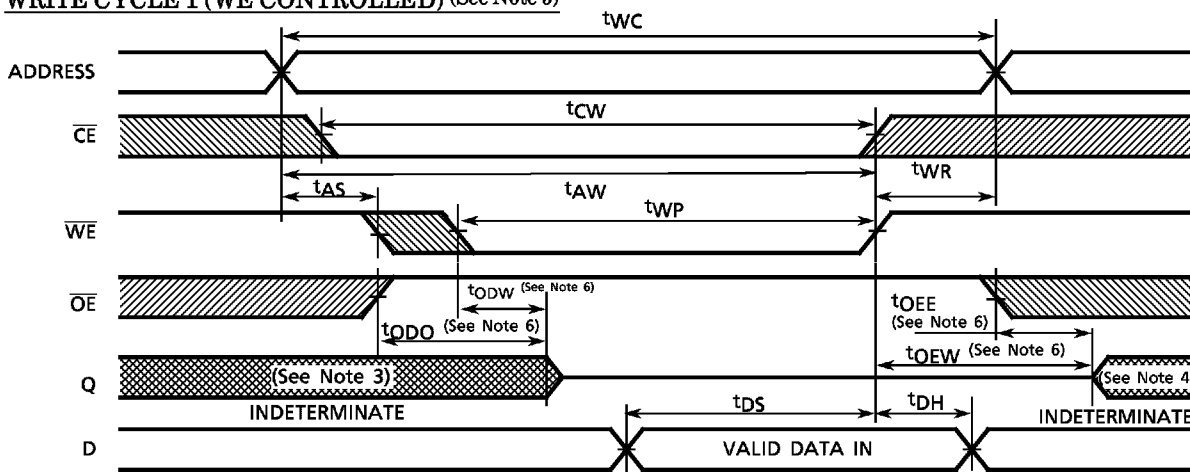


TIMING DIAGRAMS

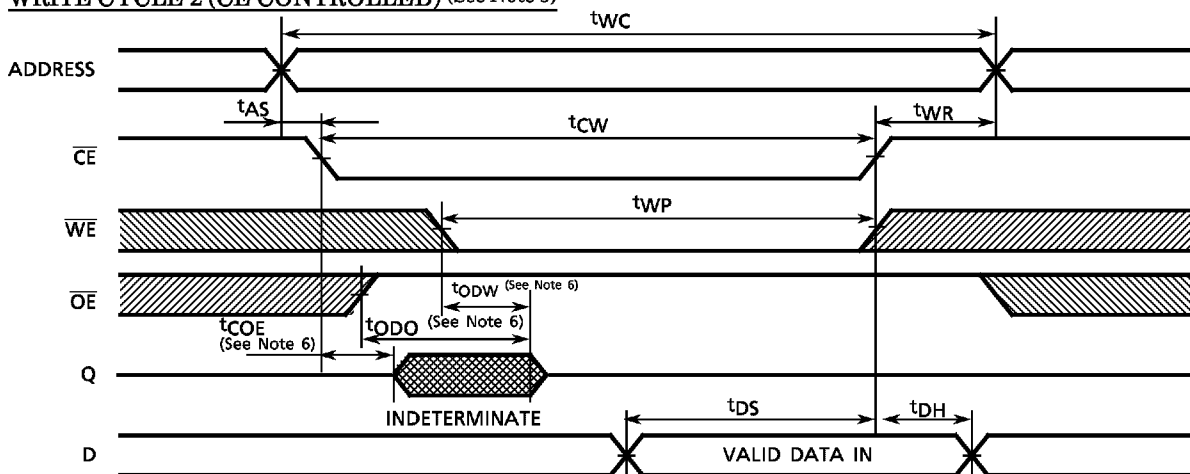
READ CYCLE (See Note 2)



WRITE CYCLE 1 (\overline{WE} CONTROLLED) (See Note 5)



WRITE CYCLE 2 (\overline{CE} CONTROLLED) (See Note 5)



Note: (1) Operating temperature (Ta) is guaranteed for transverse air flow exceeding 400 linear feet per minute.

(2) \overline{WE} remains HIGH for Read Cycle.

(3) If \overline{CE} goes LOW coincident with or after \overline{WE} goes LOW, the outputs will remain at high impedance.

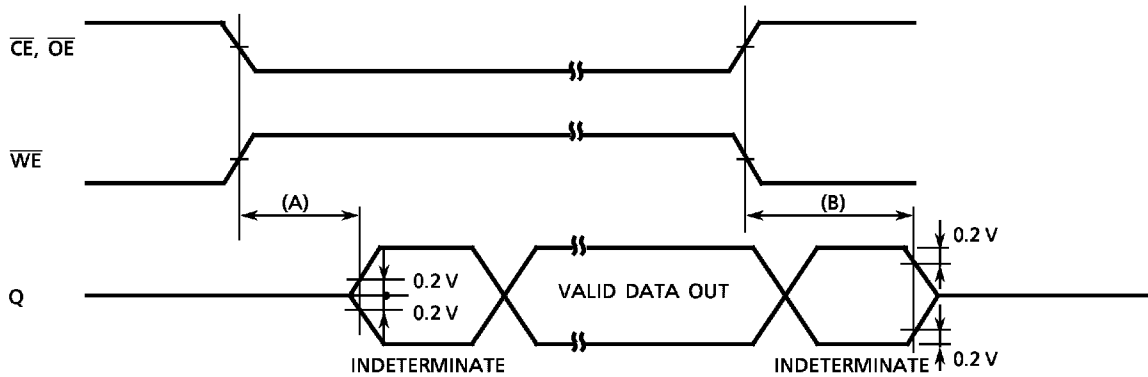
(4) If \overline{CE} goes HIGH coincident with or before \overline{WE} goes HIGH, the outputs will remain at high impedance.

(5) If \overline{OE} is HIGH during the write cycle, the outputs will remain at high impedance.

(6) The parameters specified below are measured using the load shown in Fig. 1.

(A) $t_{COE}, t_{OEE}, t_{OE\overline{W}}$ Output Enable Time

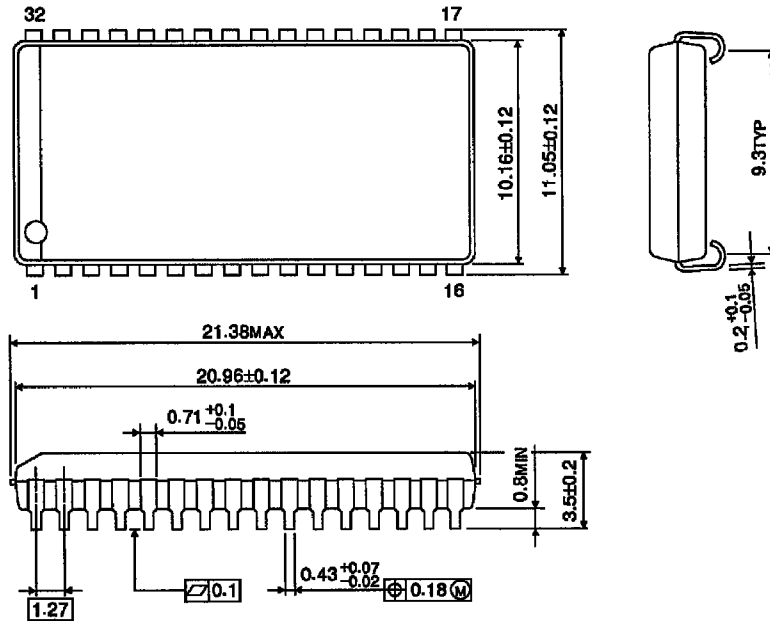
(B) $t_{COD}, t_{ODO}, t_{OD\overline{W}}$ Output Disable Time



PACKAGE DIMENSIONS

Plastic SOJ (SOJ32-P-400-1.27A)

Unit in mm

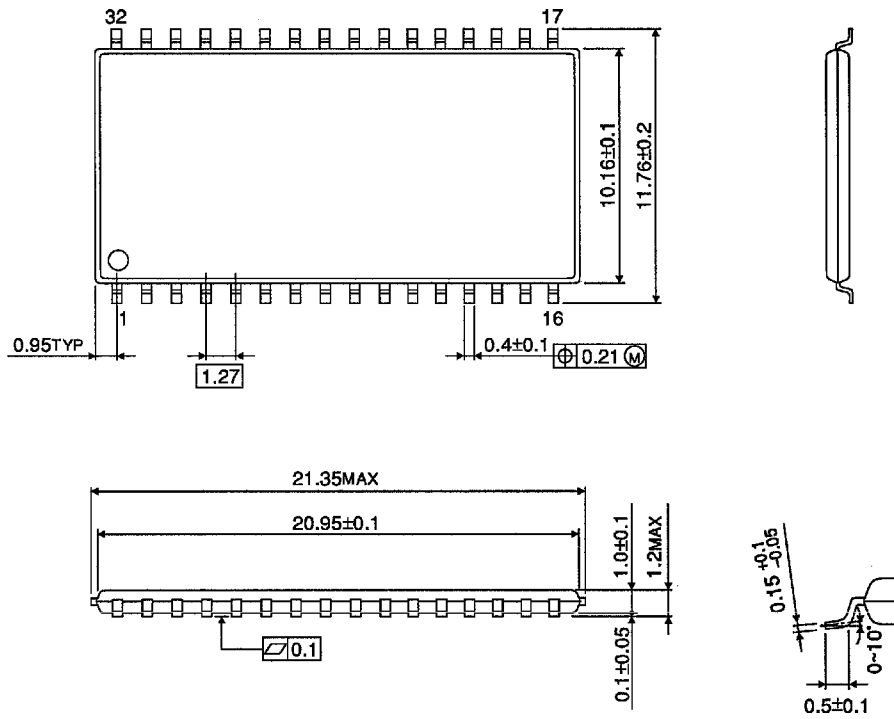


Weight: 1.22 g (typ)

PACKAGE DIMENSIONS

Plastic TSOP (TSOPII 32-P-400-1.27)

Unit in mm



Weight: 0.51 g (typ)