

## 4,194,304-WORD BY 4-BIT CMOS STATIC RAM

### DESCRIPTION

The TC55V4400FT is a 16,777,216-bit high-speed static random access memory (SRAM) organized as 4,194,304 words by 4 bits. Fabricated using CMOS technology and advanced circuit techniques to provide high speed, it operates from a single 3.3 V power supply. Chip enable ( $\overline{CE}$ ) can be used to place the device in a low-power mode, and output enable ( $\overline{OE}$ ) provides fast memory access. This device is well suited to cache memory applications where high-speed access and high-speed storage are required. All inputs and outputs are directly LVTTL compatible. The TC55V4400FT is available in plastic 54-pin TSOP with 400mil width for high density surface assembly.

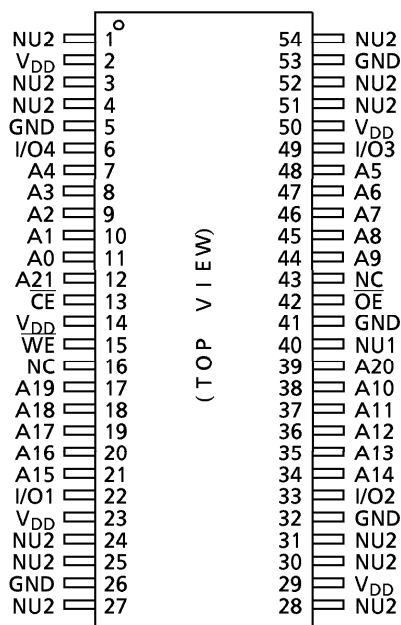
### FEATURES

- Fast access time (the following are maximum values)
  - TC55V4400FT-10: 10 ns
  - TC55V4400FT-12: 12 ns
  - TC55V4400FT-15: 15 ns
- Low-power dissipation
- Single power supply : 3.3V  $\pm$  5% (-10) : 3.3V  $\pm$  0.3V (-12, -15)
- Fully static operation
- All inputs and outputs are LVTTL compatible
- Output buffer control using  $\overline{OE}$
- Package: TSOP II 54-P-400-0.80B(FT) (Weight: 0.55g typ)

Cycle Time	10	12	15	ns
Operation (max)	410	380	360	mA

Standby: 4mA (max)

### PIN ASSIGNMENT



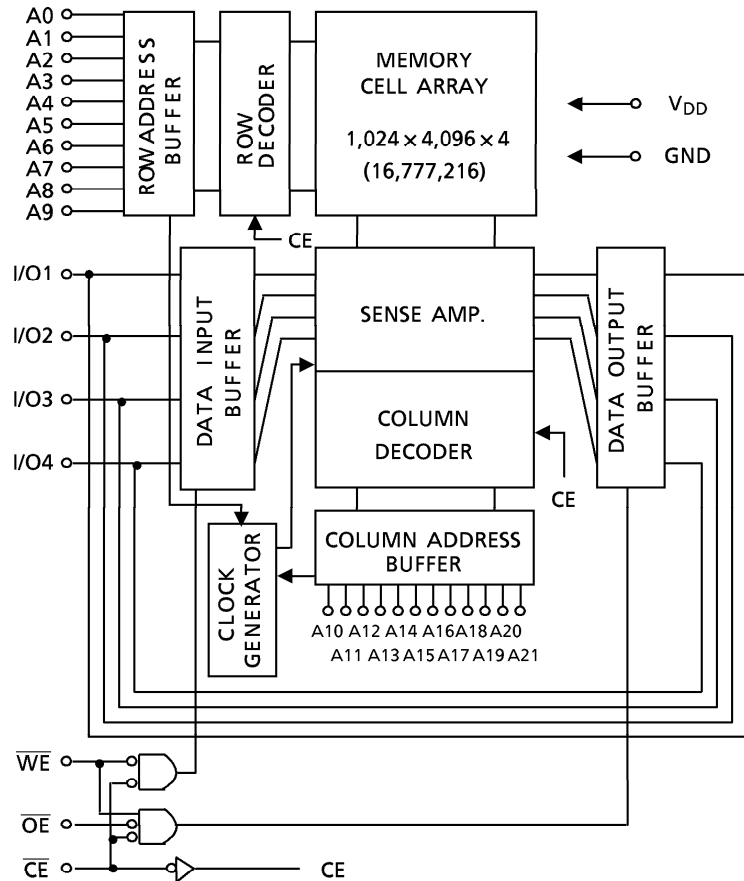
### PIN NAMES

A0 to A21	Address Inputs
I/O1 to I/O4	Data Inputs / Outputs
$\overline{CE}$	Chip Enable Input
$\overline{WE}$	Write Enable Input
$\overline{OE}$	Output Enable Input
$V_{DD}$	Power (+ 3.3V)
GND	Ground
NC	No Connection
NU1, NU2	Not Usable

000707EBA2

- TOSHIBA is continually working to improve the quality and reliability of its products. Nevertheless, semiconductor devices in general can malfunction or fail due to their inherent electrical sensitivity and vulnerability to physical stress. It is the responsibility of the buyer, when utilizing TOSHIBA products, to comply with the standards of safety in making a safe design for the entire system, and to avoid situations in which a malfunction or failure of such TOSHIBA products could cause loss of human life, bodily injury or damage to property. In developing your designs, please ensure that TOSHIBA products are used within specified operating ranges as set forth in the most recent TOSHIBA products specifications. Also, please keep in mind the precautions and conditions set forth in the "Handling Guide for Semiconductor Devices," or "TOSHIBA Semiconductor Reliability Handbook" etc..
- The TOSHIBA products listed in this document are intended for usage in general electronics applications (computer, personal equipment, office equipment, measuring equipment, industrial robotics, domestic appliances, etc.). These TOSHIBA products are neither intended nor warranted for usage in equipment that requires extraordinarily high quality and/or reliability or a malfunction or failure of which may cause loss of human life or bodily injury ("Unintended Usage"). Unintended Usage include atomic energy control instruments, airplane or spaceship instruments, transportation instruments, traffic signal instruments, combustion control instruments, medical instruments, all types of safety devices, etc.. Unintended Usage of TOSHIBA products listed in this document shall be made at the customer's own risk.
- The products described in this document are subject to the foreign exchange and foreign trade laws.
- The information contained herein is presented only as a guide for the applications of our products. No responsibility is assumed by TOSHIBA CORPORATION for any infringements of intellectual property or other rights of the third parties which may result from its use. No license is granted by implication or otherwise under any intellectual property or other rights of TOSHIBA CORPORATION or others.
- The information contained herein is subject to change without notice.

**BLOCK DIAGRAM**



**MAXIMUM RATINGS**

SYMBOL	RATING	VALUE	UNIT
V <sub>DD</sub>	Power Supply Voltage	- 0.5 to 4.6	V
V <sub>IN</sub>	Input Terminal Voltage	- 0.5* to 4.6	V
V <sub>I/O</sub>	Input/Output Terminal Voltage	- 0.5* to V <sub>DD</sub> + 0.5**	V
P <sub>D</sub>	Power Dissipation	1.8	W
T <sub>solder</sub>	Soldering Temperature (10 s)	260	°C
T <sub>strg</sub>	Storage Temperature	- 65 to 150	°C
T <sub>opr</sub>	Operating Temperature	- 10 to 85	°C

\* : -1.5V with a pulse width of 20% · t<sub>RC</sub> min (4ns max)  
 \*\* : V<sub>DD</sub>+1.5V with a pulse width of 20% · t<sub>RC</sub> min (4ns max)

**DC RECOMMENDED OPERATING CONDITIONS (T<sub>a</sub> = 0° to 70°C)**

SYMBOL	PARAMETER	MIN	TYP	MAX	UNIT
V <sub>DD</sub>	Power Supply Voltage	-10	3.135	3.465	V
		-12, -15	3.0	3.6	
V <sub>IH</sub>	Input High Voltage	2.0	-	V <sub>DD</sub> + 0.3**	V
V <sub>IL</sub>	Input Low Voltage	- 0.3*	-	0.8	V

\* : -1.0V with a pulse width of 20% · t<sub>RC</sub> min (4ns max)  
 \*\* : V<sub>DD</sub>+1.0V with a pulse width of 20% · t<sub>RC</sub> min (4ns max)

**DC CHARACTERISTICS** (Ta = 0° to 70°C, V<sub>DD</sub> = 3.3V ± 5% : -10, V<sub>DD</sub> = 3.3V ± 0.3V : -12,-15)

SYMBOL	PARAMETER	TEST CONDITION	MIN	TYP	MAX	UNIT
I <sub>IL</sub>	Input Leakage Current (Except NU1 pin)	V <sub>IN</sub> = 0 to V <sub>DD</sub>	-1	-	1	μA
I <sub>LO</sub>	Output Leakage Current	$\overline{CE} = V_{IH}$ or $\overline{WE} = V_{IL}$ or $\overline{OE} = V_{IH}$ V <sub>OUT</sub> = 0 to V <sub>DD</sub>	-1	-	1	μA
I <sub>I(NU1)</sub>	Input Current (NU1 pin)	V <sub>IN</sub> = 0 to 0.8V	-1	-	20	μA
		V <sub>IN</sub> = 0 to 0.2V	-1	-	1	
V <sub>OH</sub>	Output High Voltage	I <sub>OH</sub> = -2mA	2.4	-	-	V
		I <sub>OH</sub> = -100μA	V <sub>DD</sub> - 0.2	-	-	
V <sub>OL</sub>	Output Low Voltage	I <sub>OL</sub> = 2mA	-	-	0.4	
		I <sub>OL</sub> = 100μA	-	-	0.2	
I <sub>DDO</sub>	Operating Current	$\overline{CE} = V_{IL}$ , I <sub>out</sub> = 0mA	tcycle = 10ns	-	-	410
		$\overline{OE} = V_{IH}$				380
		Other Inputs = V <sub>DD</sub> - 0.2V or 0.2V				360
I <sub>DDS1</sub>	Standby Current	$\overline{CE} = V_{IH}$ , Other Inputs = V <sub>IH</sub> or V <sub>IL</sub>	-	-	105	mA
I <sub>DDS2</sub>		$\overline{CE} = V_{DD} - 0.2V$ Other Inputs = V <sub>DD</sub> - 0.2V or 0.2V	-	-	4	

**CAPACITANCE** (Ta = 25°C, f = 1.0 MHz)

SYMBOL	PARAMETER	TEST CONDITION	MAX	UNIT
C <sub>IN</sub>	Input Capacitance	V <sub>IN</sub> = GND	6	pF
C <sub>I/O</sub>	Input/Output Capacitance	V <sub>I/O</sub> = GND	8	pF

Note: This parameter is periodically sampled and is not 100% tested.

**OPERATING MODE**

MODE	$\overline{CE}$	$\overline{OE}$	$\overline{WE}$	I/O1 to I/O4	POWER
Read	L	L	H	Output	I <sub>DDO</sub>
Write	L	X	L	Input	I <sub>DDO</sub>
Outputs Disable	L	H	H	High Impedance	I <sub>DDO</sub>
Standby	H	X	X	High Impedance	I <sub>DDS</sub>

X : Don't care

Note: The NU1 and NU2 pins must be left unconnected or tied to GND or a voltage level of less than 0.8 V.

You must not apply a voltage of more than 0.8 V to the NU1 and NU2.

**AC CHARACTERISTICS** ( $T_a = 0^\circ$  to  $70^\circ\text{C}$ <sup>(Note 1)</sup>,  $V_{DD} = 3.3\text{V} \pm 5\%$ :-10,  $V_{DD} = 3.3\text{V} \pm 0.3\text{V}$ :-12,-15)  
**READ CYCLE**

SYMBOL	PARAMETER	TC55V4400FT-10		TC55V4400FT-12		TC55V4400FT-15		UNIT
		MIN	MAX	MIN	MAX	MIN	MAX	
$t_{RC}$	Read Cycle Time	10	–	12	–	15	–	ns
$t_{ACC}$	Address Access Time	–	10	–	12	–	15	
$t_{CO}$	Chip Enable Access Time	–	10	–	12	–	15	
$t_{OE}$	Output Enable Access Time	–	5	–	6	–	8	
$t_{OH}$	Output Data Hold Time from Address Change	3	–	3	–	3	–	
$t_{COE}$	Output Enable Time from Chip Enable	3	–	3	–	3	–	
$t_{OEE}$	Output Enable Time from Output Enable	1	–	1	–	1	–	
$t_{COD}$	Output Disable Time from Chip Enable	–	6	–	7	–	8	
$t_{ODO}$	Output Disable Time from Output Enable	–	6	–	7	–	8	

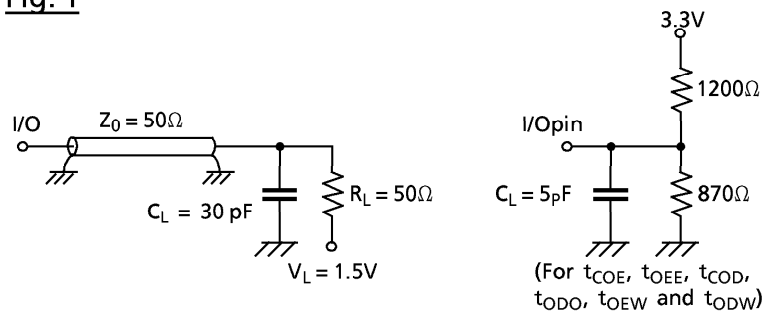
**WRITE CYCLE**

SYMBOL	PARAMETER	TC55V4400FT-10		TC55V4400FT-12		TC55V4400FT-15		UNIT
		MIN	MAX	MIN	MAX	MIN	MAX	
$t_{WC}$	Write Cycle Time	10	–	12	–	15	–	ns
$t_{WP}$	Write Pulse Width	7	–	8	–	10	–	
$t_{CW}$	Chip Enable to End of Write	8.5	–	9	–	11	–	
$t_{AW}$	Address Valid to End of Write	8.5	–	9	–	11	–	
$t_{AS}$	Address Setup Time	0	–	0	–	0	–	
$t_{WR}$	Write Recovery Time	0	–	0	–	0	–	
$t_{DS}$	Data Setup Time	6	–	7	–	8	–	
$t_{DH}$	Data Hold Time	0	–	0	–	0	–	
$t_{OEW}$	Output Enable Time from Write Enable	1	–	1	–	1	–	
$t_{ODW}$	Output Disable Time from Write Enable	–	6	–	7	–	8	

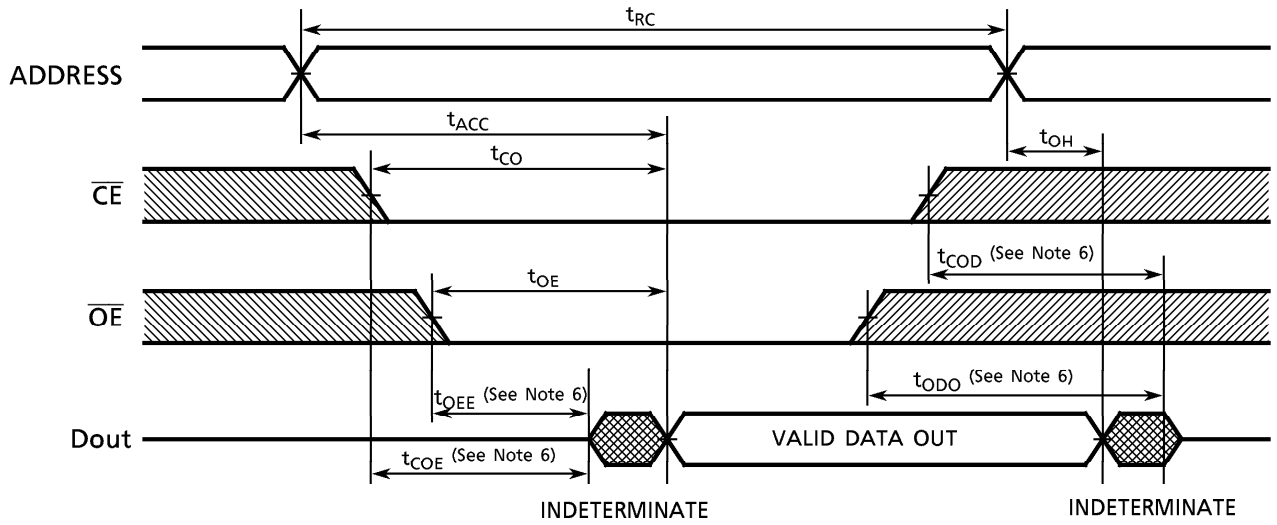
**AC TEST CONDITIONS**

Input Pulse Level	3.0V/0.0V
Input Pulse Rise and Fall Time	2ns
Input Timing Measurement Reference Level	1.5V
Output Timing Measurement Reference Level	1.5V
Output Load	Fig. 1

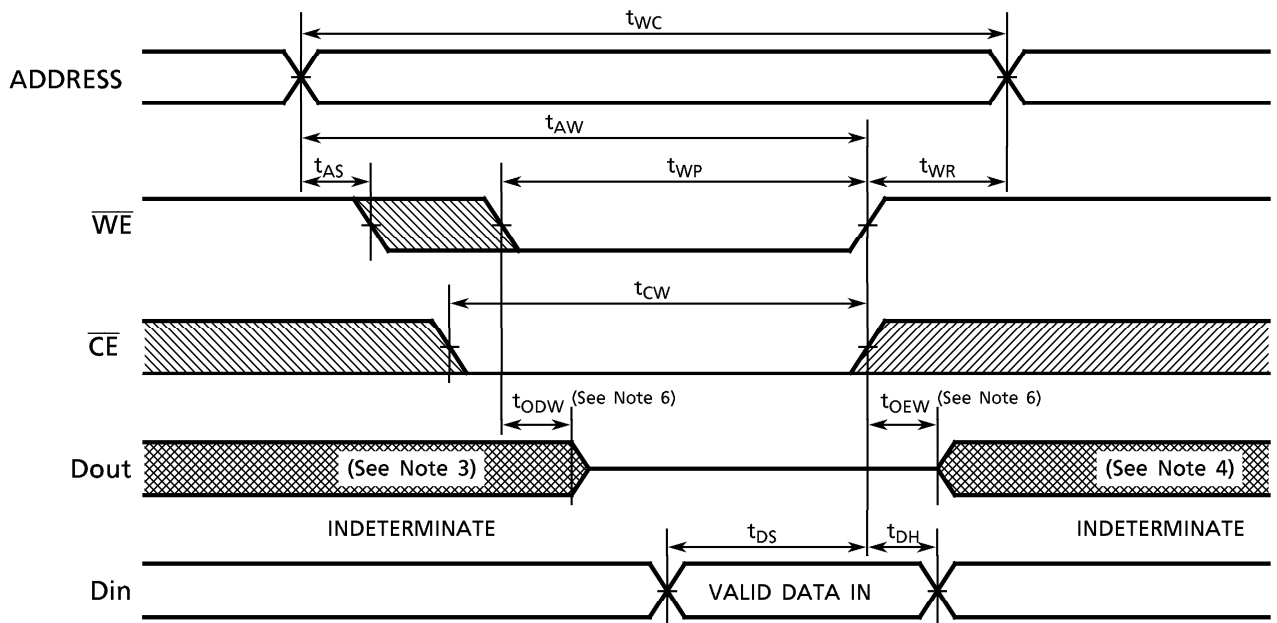
**Fig. 1**



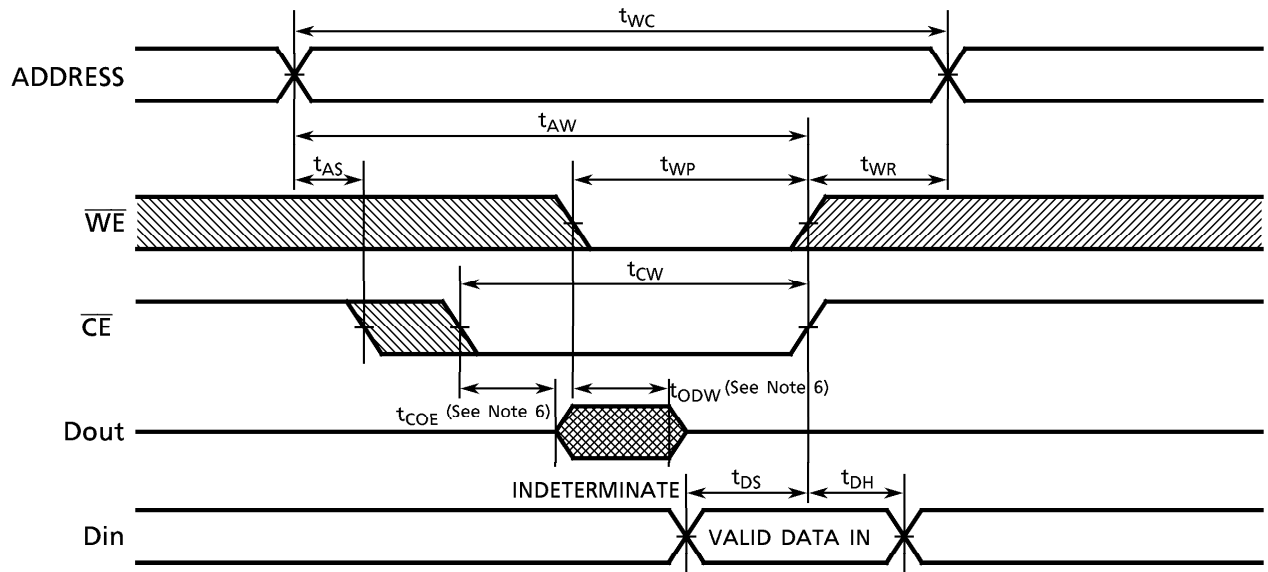
**TIMING DIAGRAMS**  
**READ CYCLE** (See Note 2)



**WRITE CYCLE 1 ( $\overline{WE}$  CONTROLLED)** (See Note 5)



WRITE CYCLE 2 ( $\overline{CE}$  CONTROLLED) (See Note 5)



Note: (1) Operating temperature (Ta) is guaranteed for transverse air flow exceeding 400 linear feet per minute.

(2)  $\overline{WE}$  remains HIGH for the Read Cycle.

(3) If  $\overline{CE}$  goes LOW coincident with or after  $\overline{WE}$  goes LOW, the outputs will remain at high impedance.

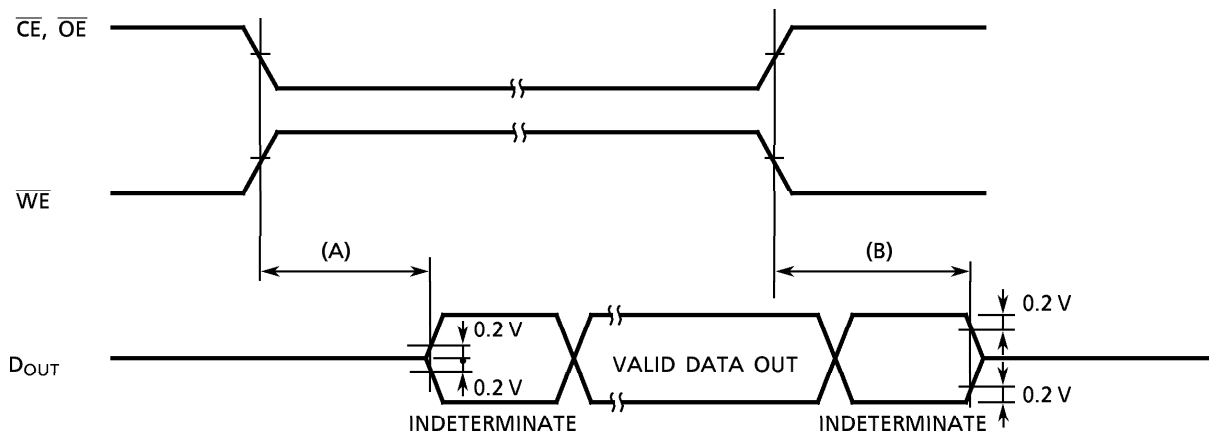
(4) If  $\overline{CE}$  goes HIGH coincident with or before  $\overline{WE}$  goes HIGH, the outputs will remain at high impedance.

(5) If  $\overline{OE}$  is HIGH during the write cycle, the outputs will remain at high impedance.

(6) The parameters specified below are measured using the load shown in Fig. 1.

(A)  $t_{COE}, t_{OEE}, t_{OEW}$       ····· Output Enable Time

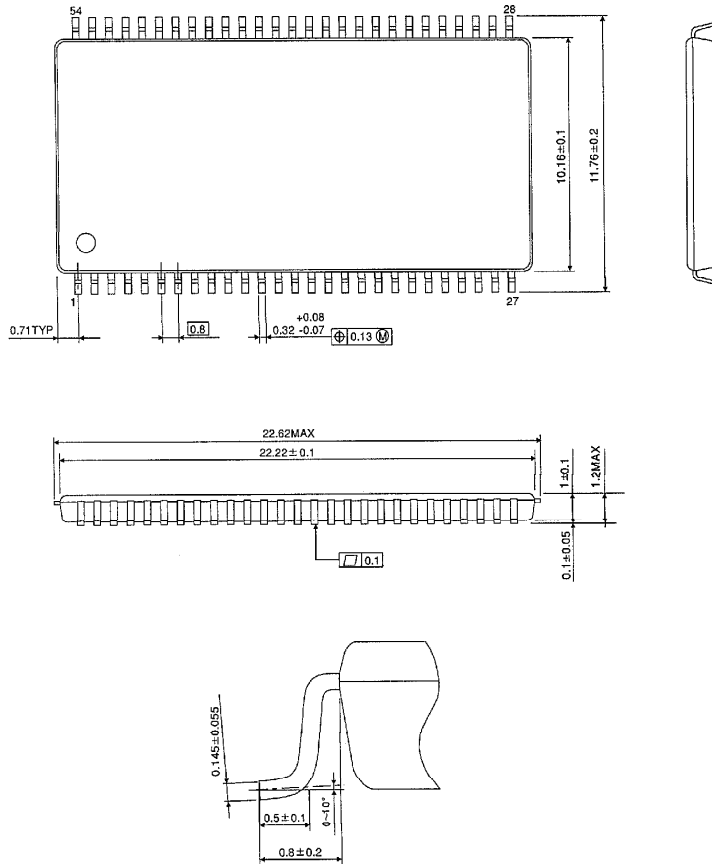
(B)  $t_{COD}, t_{ODO}, t_{ODW}$       ····· Output Disable Time



**PACKAGE DIMENSIONS**

Plastic TSOP (TSOPII 54-P-400-0.80B)

Unit in mm



Weight : 0.55g (Typ)